

US00D522351S

(12) **United States Design Patent**
Taylor et al.

(10) **Patent No.:** **US D522,351 S**
(45) **Date of Patent:** **** Jun. 6, 2006**

(54) **POWERED AIR-PURIFYING RESPIRATOR ATTACHMENT CLIP**

(75) Inventors: **David S. Taylor**, Accrington (GB);
Peter B. Allen, Bracknell (GB); **Scott R. Alexander**, Reading (GB); **Jason A. Graves**, Bracknell (GB)

(73) Assignee: **3M Innovative Properties Company**, St. Paul, MN (US)

(**) Term: **14 Years**

(21) Appl. No.: **29/196,552**

(22) Filed: **Dec. 30, 2003**

(51) **LOC (8) Cl.** **08-08**

(52) **U.S. Cl.** **D8/394; D24/110**

(58) **Field of Classification Search** D8/356,
D8/371, 394-396, 499, 53, 100, 365; D12/51;
D19/65, 90; D28/39, 40, 42; 24/546, 563,
24/327, 334, DIG. 8, DIG. 9, DIG. 13, DIG. 28;
248/74.2, 300, 301, 316.7, 229.26; D24/110;
D25/131-141

See application file for complete search history.

(56) **References Cited**

U.S. PATENT DOCUMENTS

D263,788 S * 4/1982 McKinnon et al. D8/394

D266,223 S * 9/1982 Swartz D8/373
D305,611 S * 1/1990 Herzog et al. D8/395
D322,632 S * 12/1991 Montgomery et al. D19/86
D339,875 S * 9/1993 Schutz et al. D25/139
6,193,122 B1 2/2001 Buckley
6,199,736 B1 3/2001 Musarella et al.
6,206,257 B1 3/2001 Peele et al.

* cited by examiner

Primary Examiner—Louis S. Zarfaz

Assistant Examiner—John Windmuller

(74) *Attorney, Agent, or Firm*—Karl G. Hanson

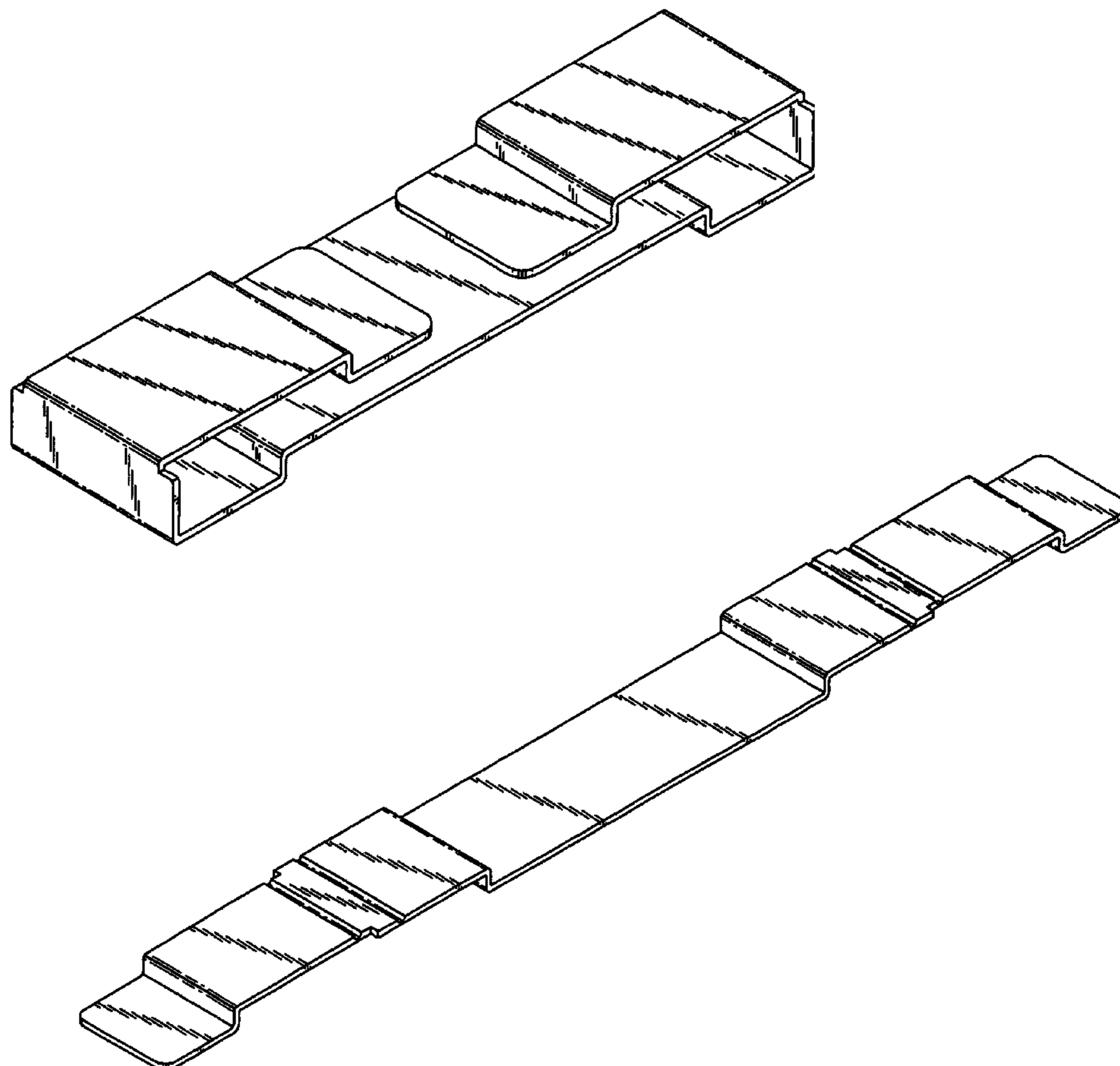
(57) **CLAIM**

The ornamental design for a powered air-purifying respirator attachment clip, as shown and described.

DESCRIPTION

FIG. 1 is a top perspective view of a powered air-purifying respirator attachment clip showing our new design; FIG. 2 is a bottom perspective view thereof at a reduced scale in an alternative configuration; FIG. 3 is a top plan view thereof; FIG. 4 is a side elevational view thereof, the other side elevational view being identical thereto; FIG. 5 is a bottom plan view thereof; and, FIG. 6 is a front elevational view thereof, the rear elevational view being identical thereto.

1 Claim, 4 Drawing Sheets



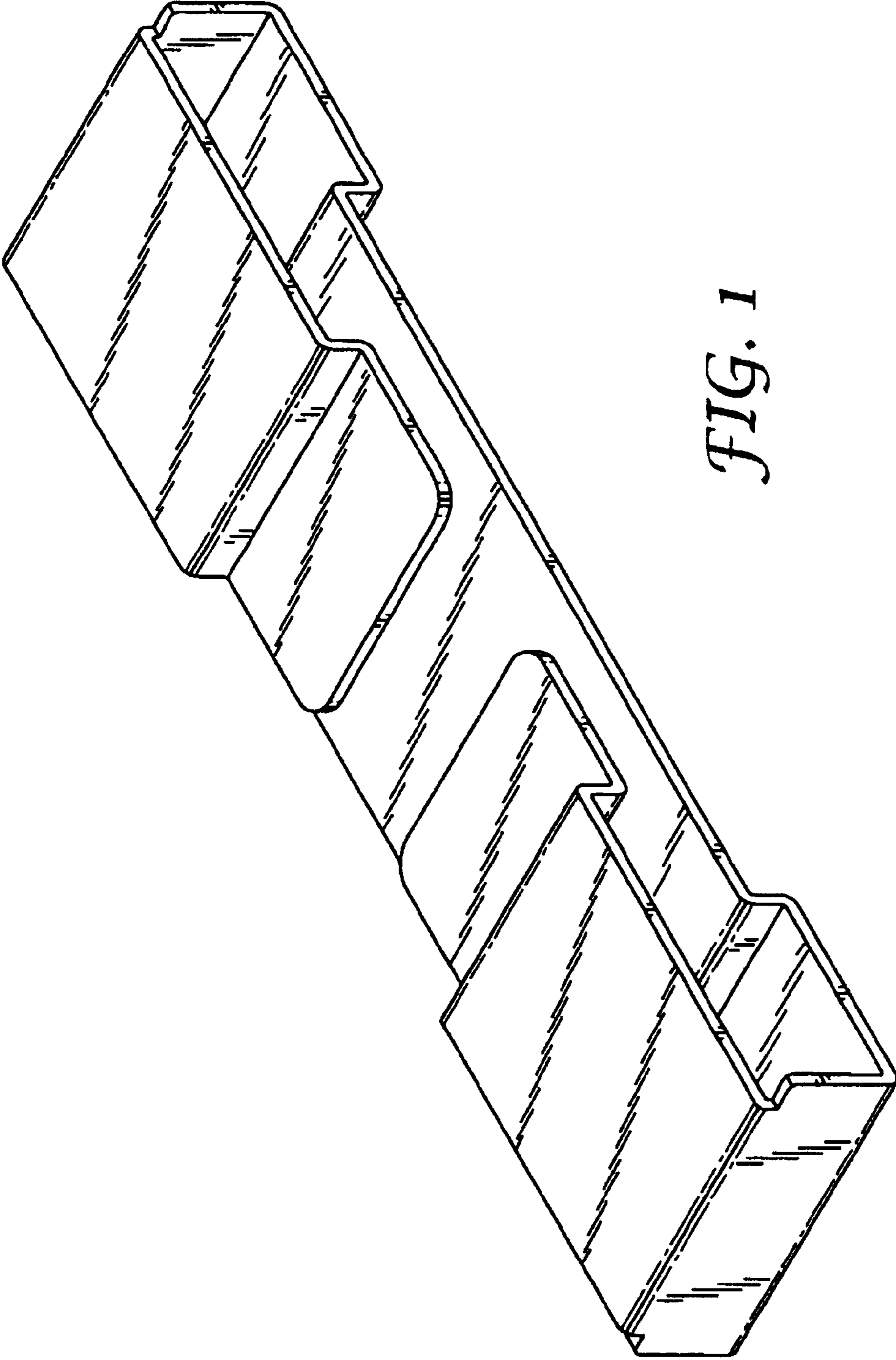


FIG. 1

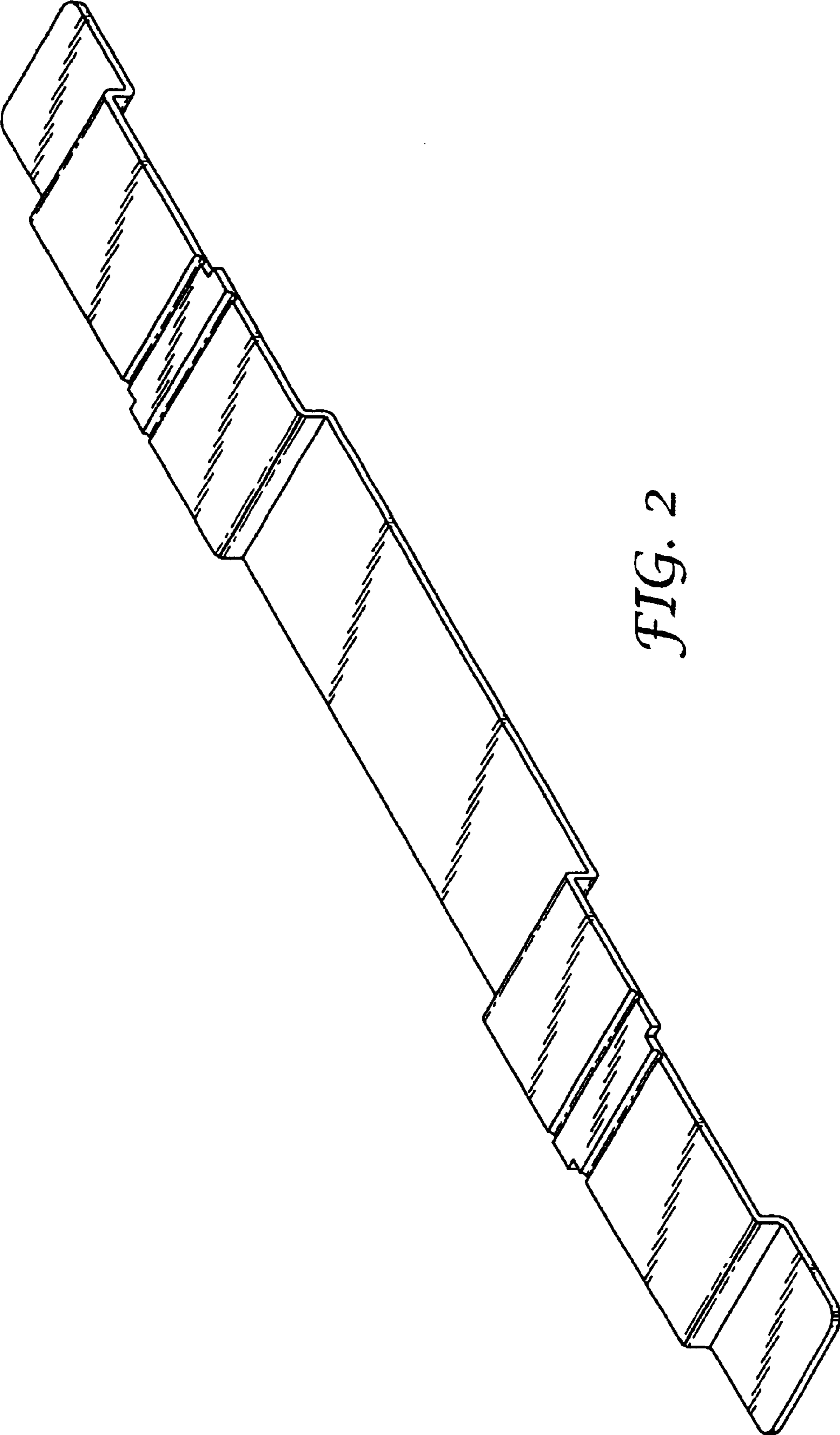


FIG. 2

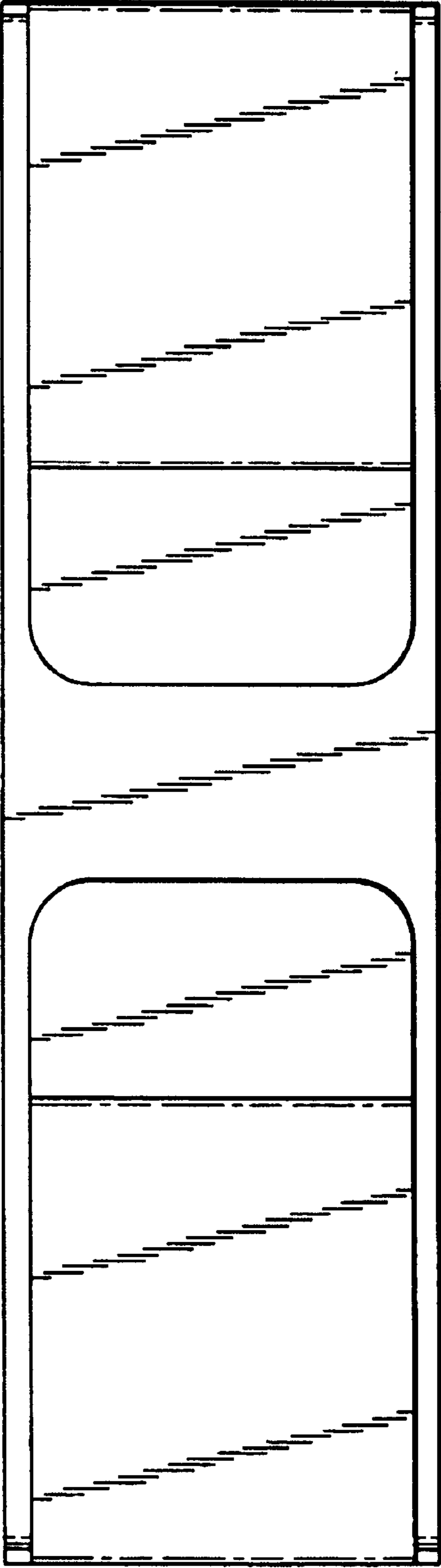


FIG. 3

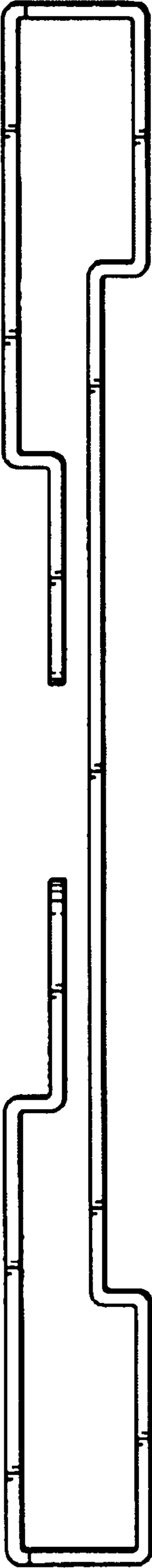


FIG. 4

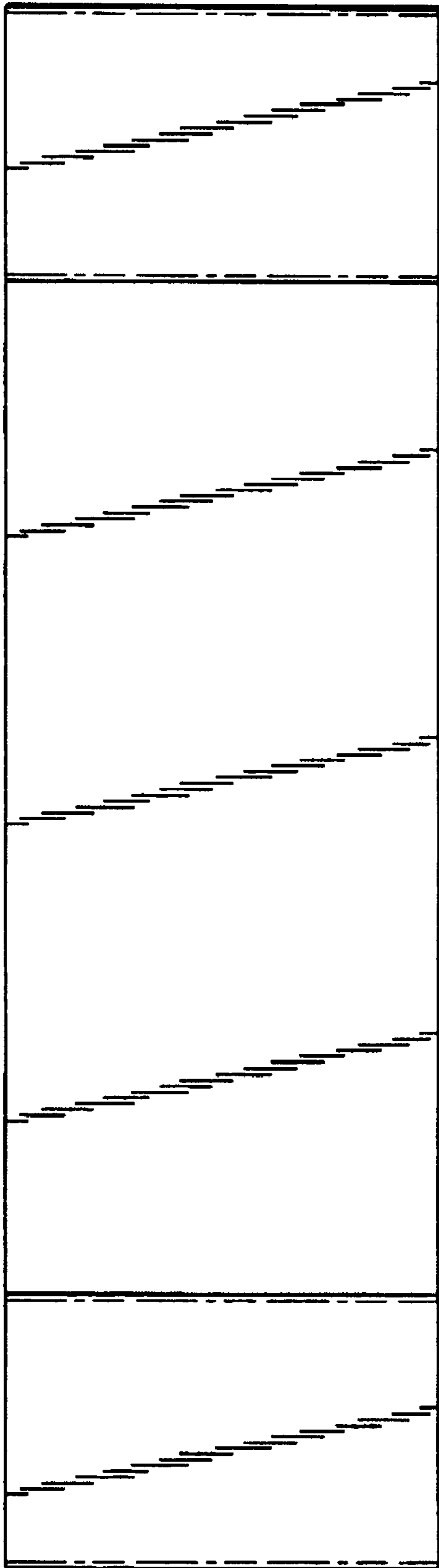


FIG. 5

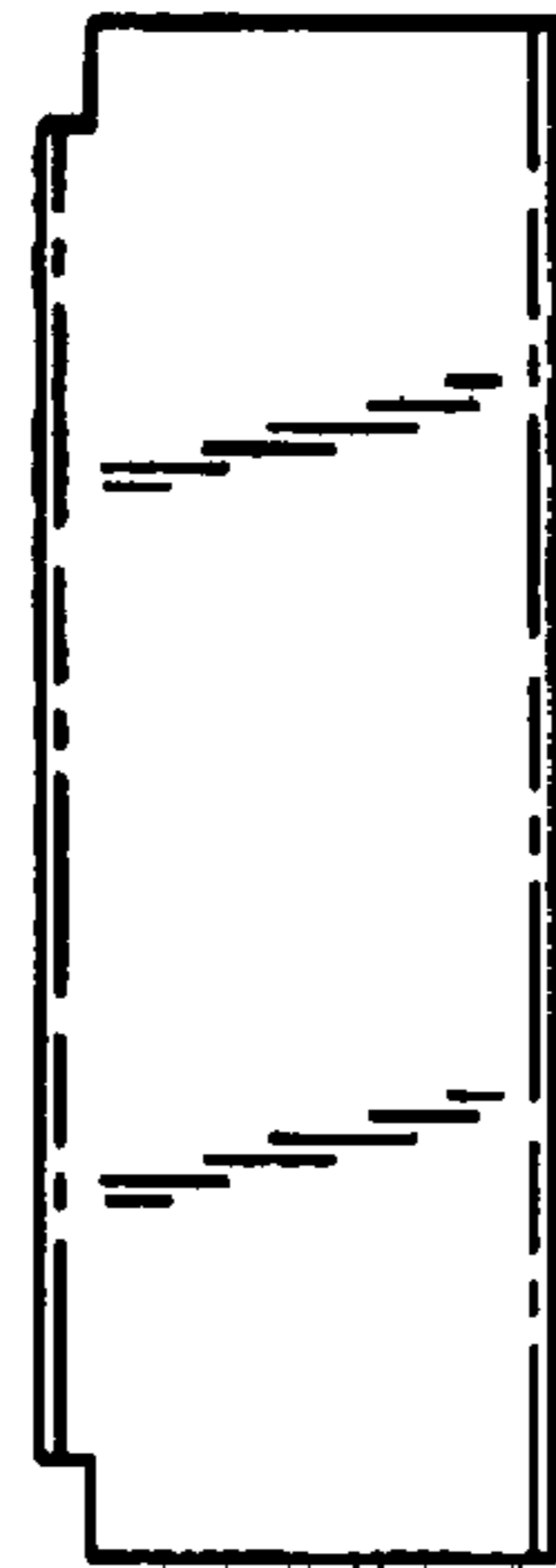


FIG. 6