



US00D522348S

(12) **United States Design Patent**  
**Hansen**

(10) **Patent No.:** **US D522,348 S**

(45) **Date of Patent:** **\*\* Jun. 6, 2006**

(54) **MOUNT FOR HOLDING AN OBJECT**

(76) **Inventor:** **Bruce R. Hansen**, 12203 Wood Lake Dr., Burnsville, MN (US) 55337

(\*\*) **Term:** **14 Years**

(21) **Appl. No.:** **29/200,842**

(22) **Filed:** **Mar. 5, 2004**

(51) **LOC (8) Cl.** ..... **08-05**

(52) **U.S. Cl.** ..... **D8/354**

(58) **Field of Classification Search** ..... D8/382,  
D8/71, 349, 354, 356, 366, 373, 380, 394,  
D8/395; 248/300; D11/182; D12/114, 155,  
D12/159, 223; D13/133; D14/229; D30/107;  
211/189; 224/401; 296/40, 43; 410/110, 118,  
410/129, 156

See application file for complete search history.

5,931,705 A	*	8/1999	Young	.....	439/682
D451,786 S	*	12/2001	Wyatt et al.	.....	D8/354
D452,135 S	*	12/2001	Wyatt et al.	.....	D8/354
D453,677 S	*	2/2002	Machijima	.....	D8/354
D457,805 S	*	5/2002	Machijima	.....	D8/354
D459,304 S	*	6/2002	Malin	.....	D13/133
6,484,913 B1	*	11/2002	Hancock et al.	.....	224/401
D467,790 S	*	12/2002	Roberts et al.	.....	D8/356
D483,241 S	*	12/2003	Miller et al.	.....	D8/71
D488,092 S	*	4/2004	Bruckler	.....	D11/182
D492,893 S	*	7/2004	Oddsens et al.	.....	D8/354
D495,278 S	*	8/2004	Kroeker et al.	.....	D12/159
D504,304 S	*	4/2005	Hancock	.....	D8/354
D506,918 S	*	7/2005	Nakajima	.....	D8/354

\* cited by examiner

*Primary Examiner*—Holly H. Baynham

(57) **CLAIM**

The ornamental design of a mount for holding an object, as shown and described.

(56) **References Cited**

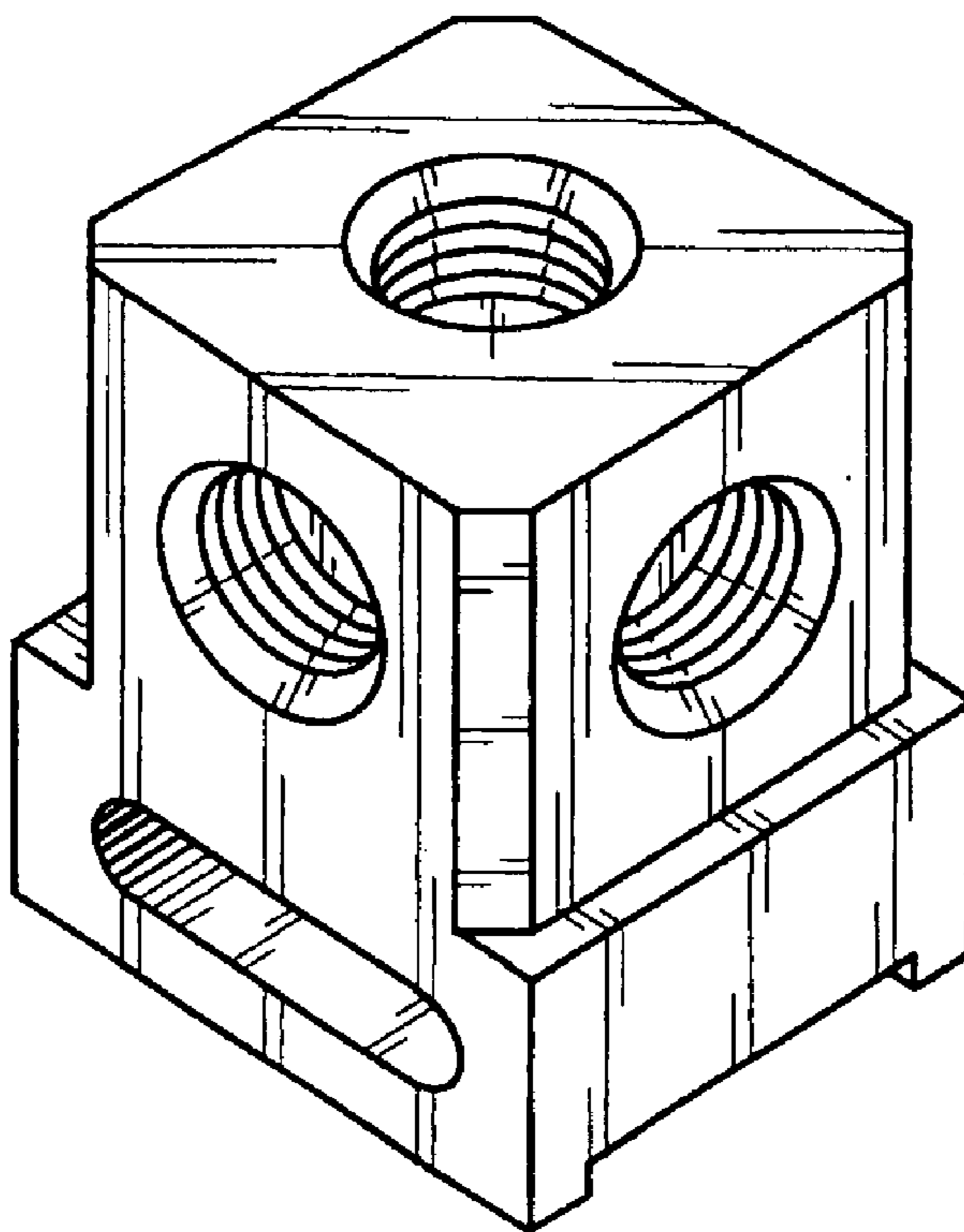
**U.S. PATENT DOCUMENTS**

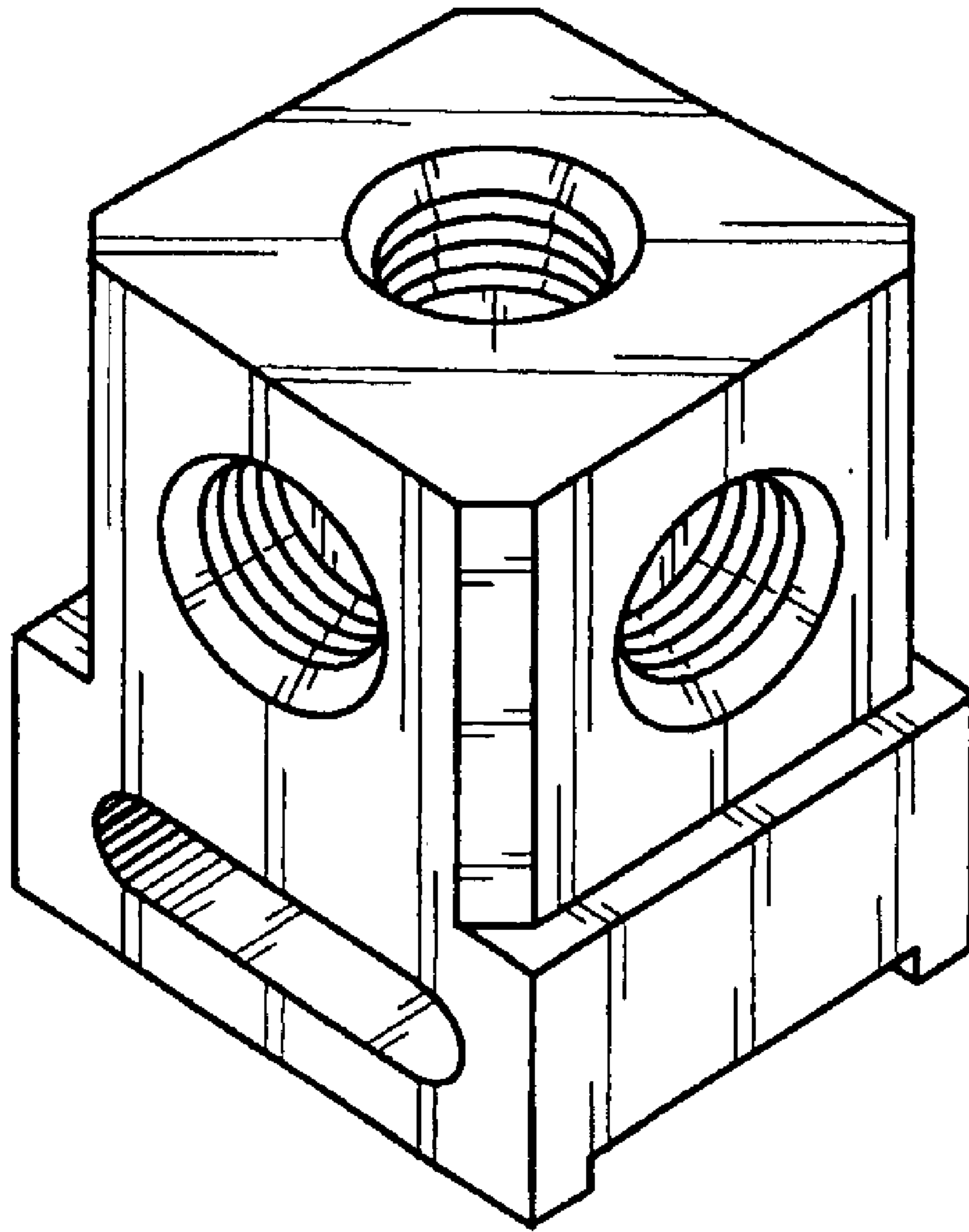
3,386,590 A	*	6/1968	Gretz	.....	211/189
D231,787 S	*	6/1974	Burnley	.....	D30/107
D268,672 S	*	4/1983	McPherson	.....	D14/229
D289,852 S	*	5/1987	Tuvelson	.....	D8/373
D304,293 S	*	10/1989	McCarthy	.....	D8/349
D309,255 S	*	7/1990	Karow, Jr.	.....	D8/395
D311,200 S	*	10/1990	Nakayama et al.	.....	D8/349
D349,036 S	*	7/1994	Egigian	.....	D8/349
D367,249 S	*	2/1996	Ott	.....	D12/114
D400,428 S	*	11/1998	Sabounjian	.....	D8/382

**DESCRIPTION**

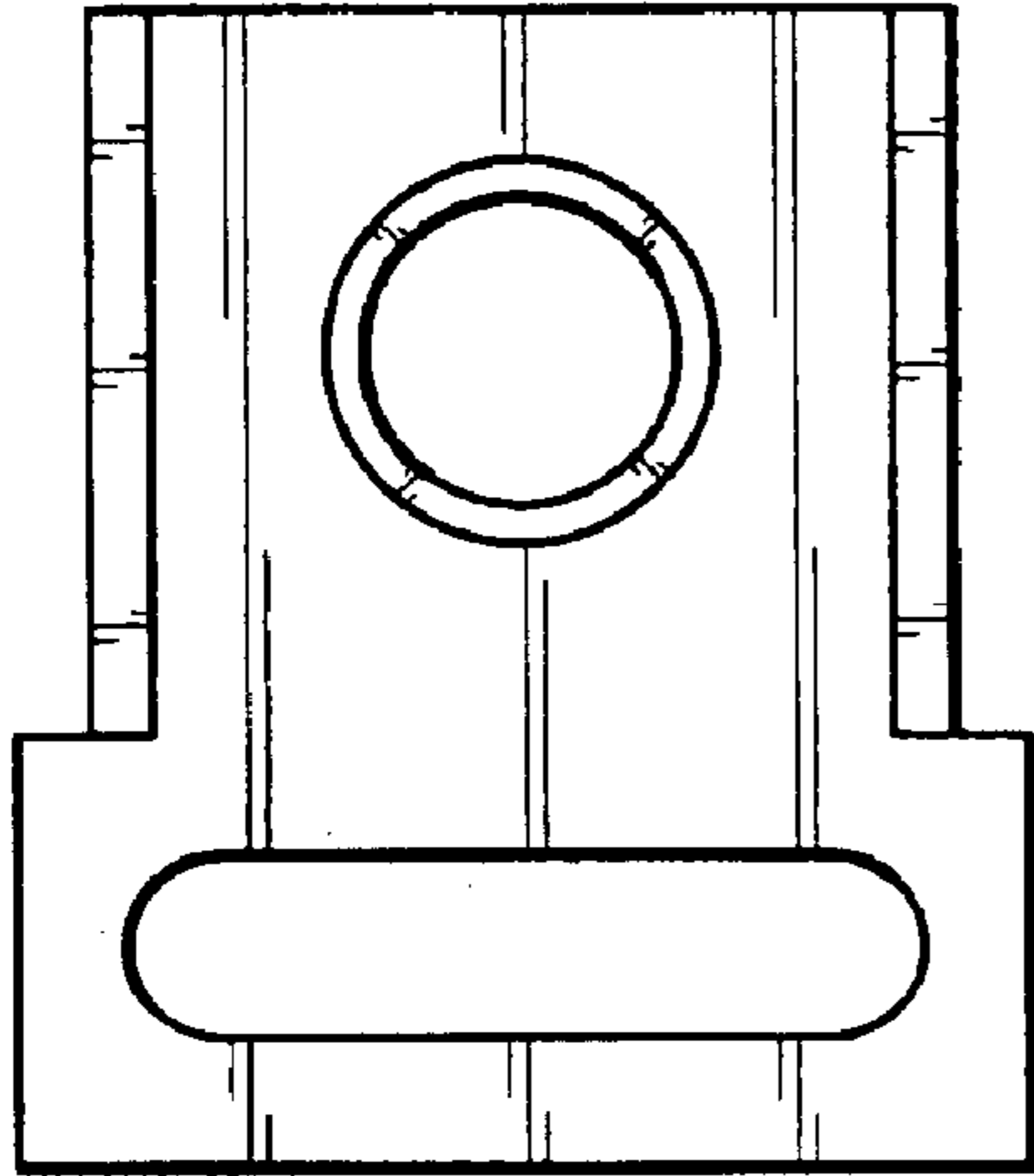
FIG. 1 is a perspective view of the mount for holding an object of my new design;  
FIG. 2 is a front elevational view thereof;  
FIG. 3 is a rear elevational view thereof;  
FIG. 4 is a side elevational view of the right side thereof;  
FIG. 5 is a side elevational view of the left side thereof;  
FIG. 6 is a top plan view thereof; and,  
FIG. 7 is a bottom plan view thereof.

**1 Claim, 3 Drawing Sheets**

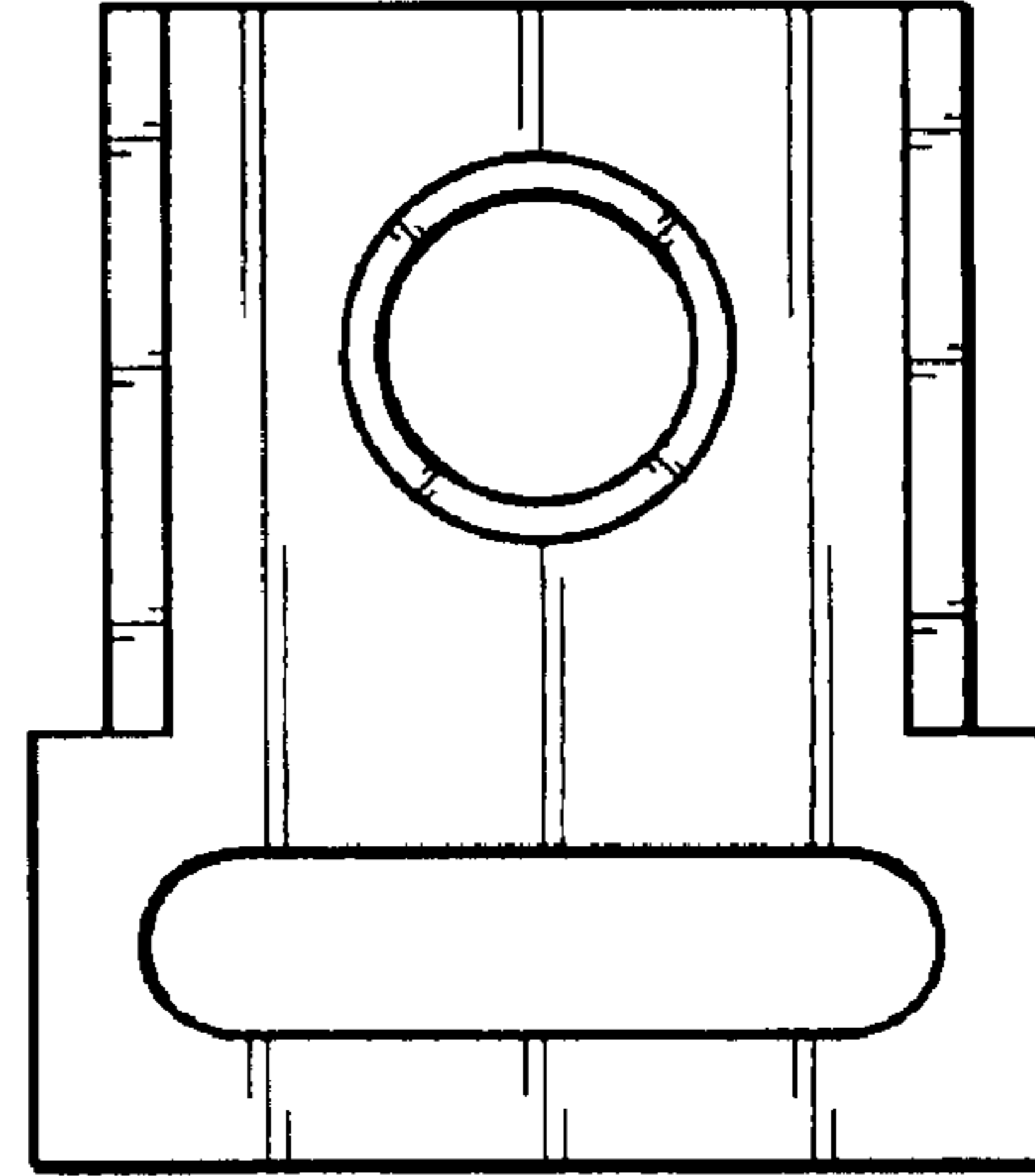




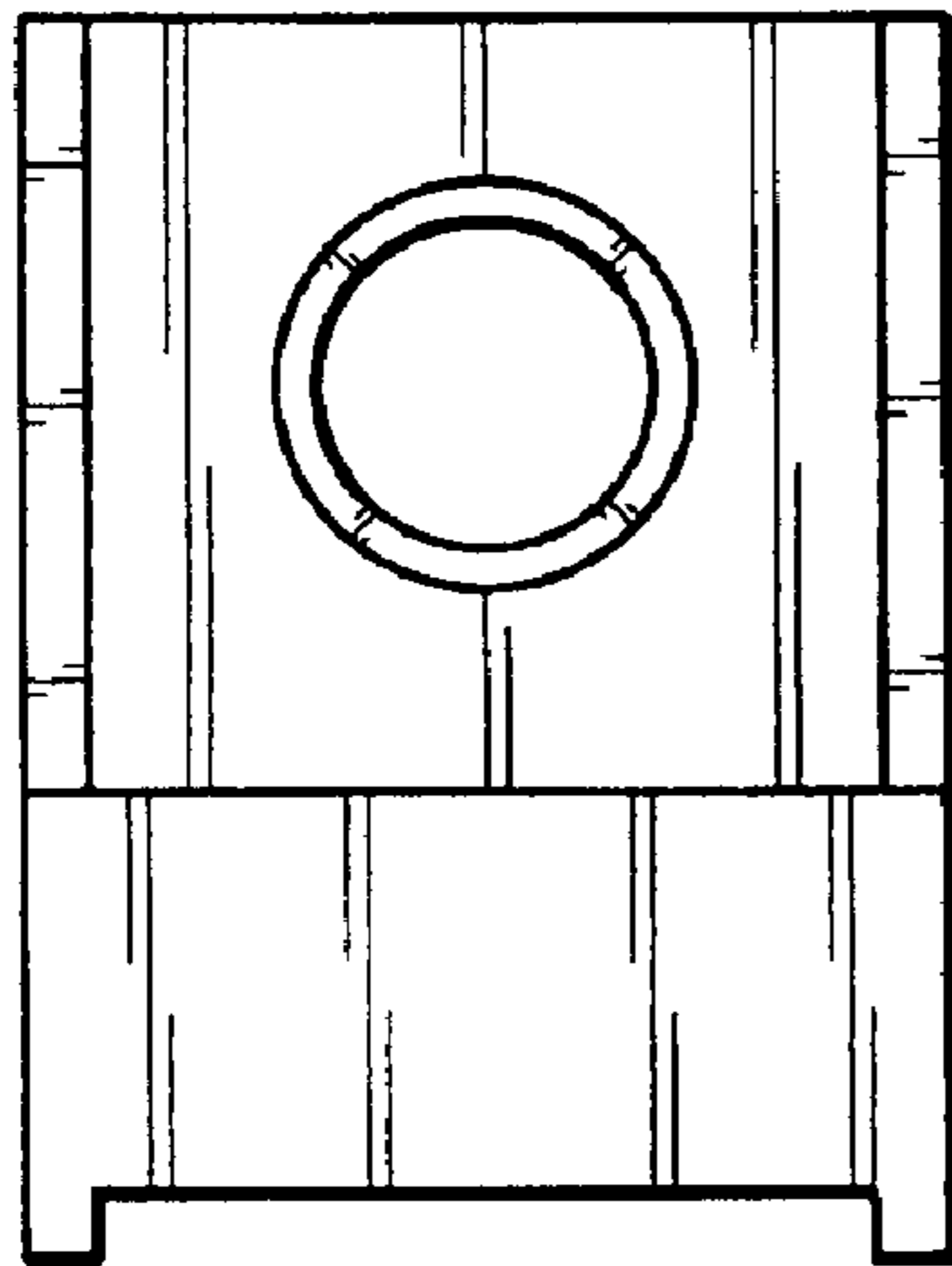
**FIG. 1**



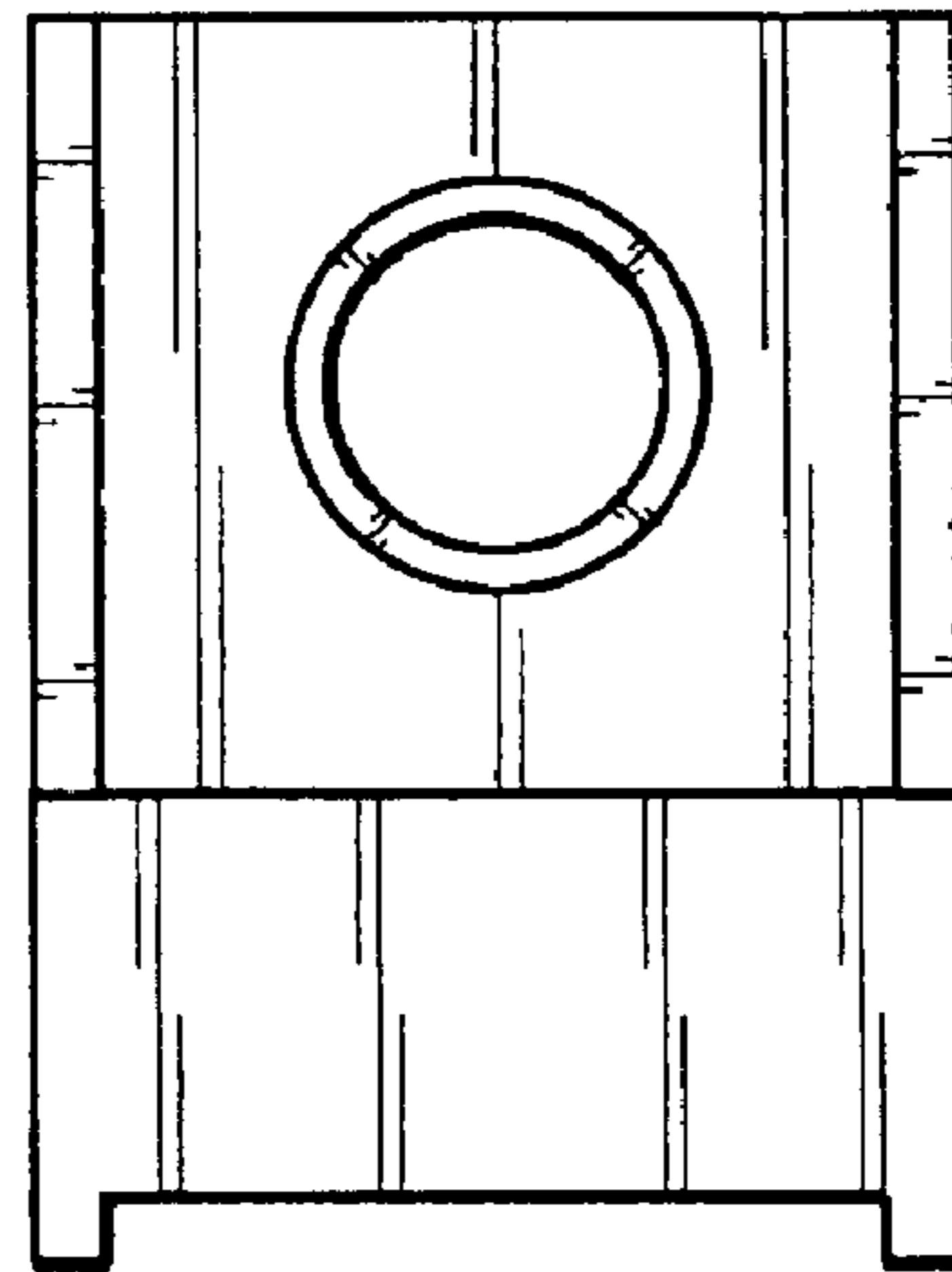
**FIG. 2**



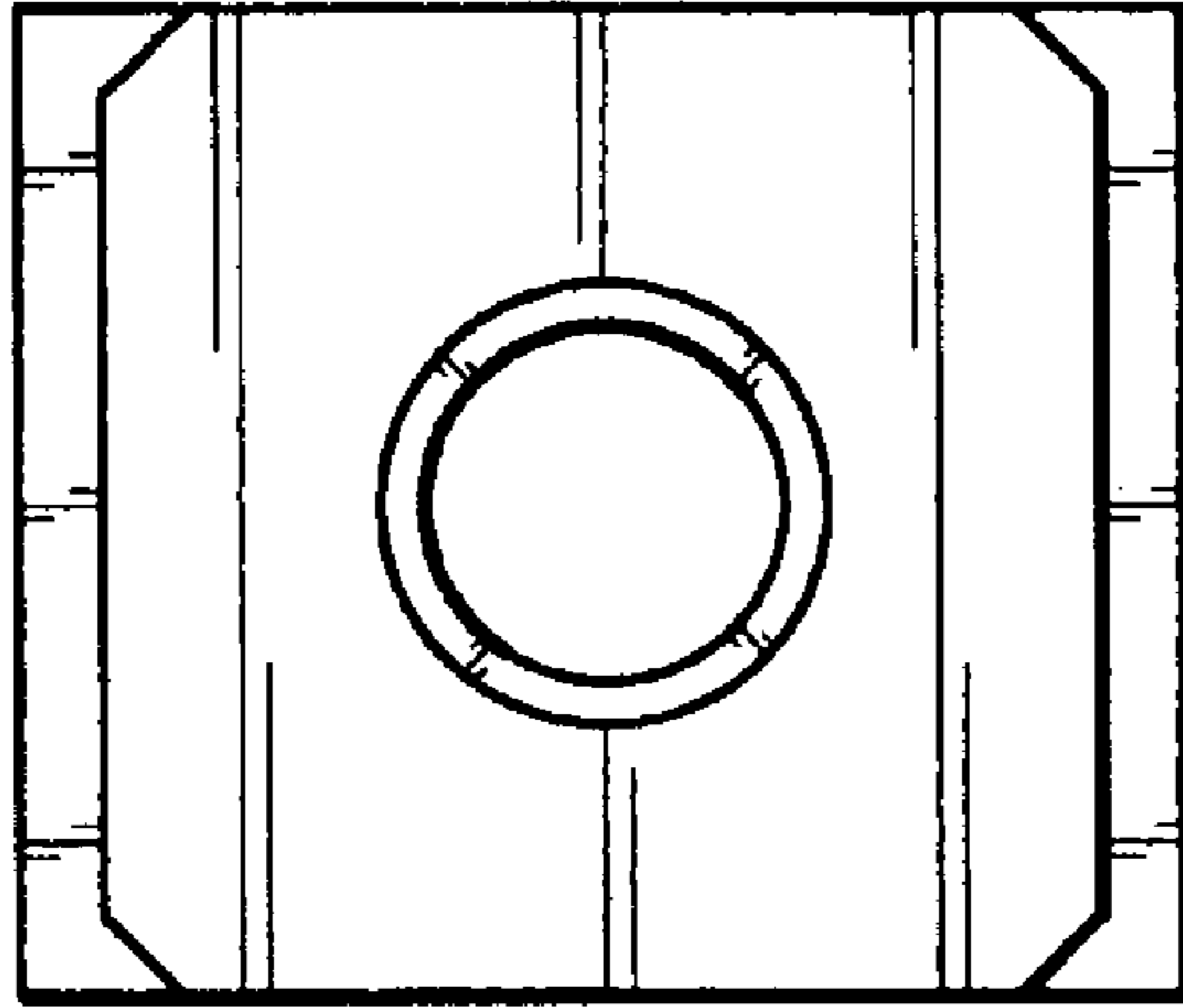
**FIG. 3**



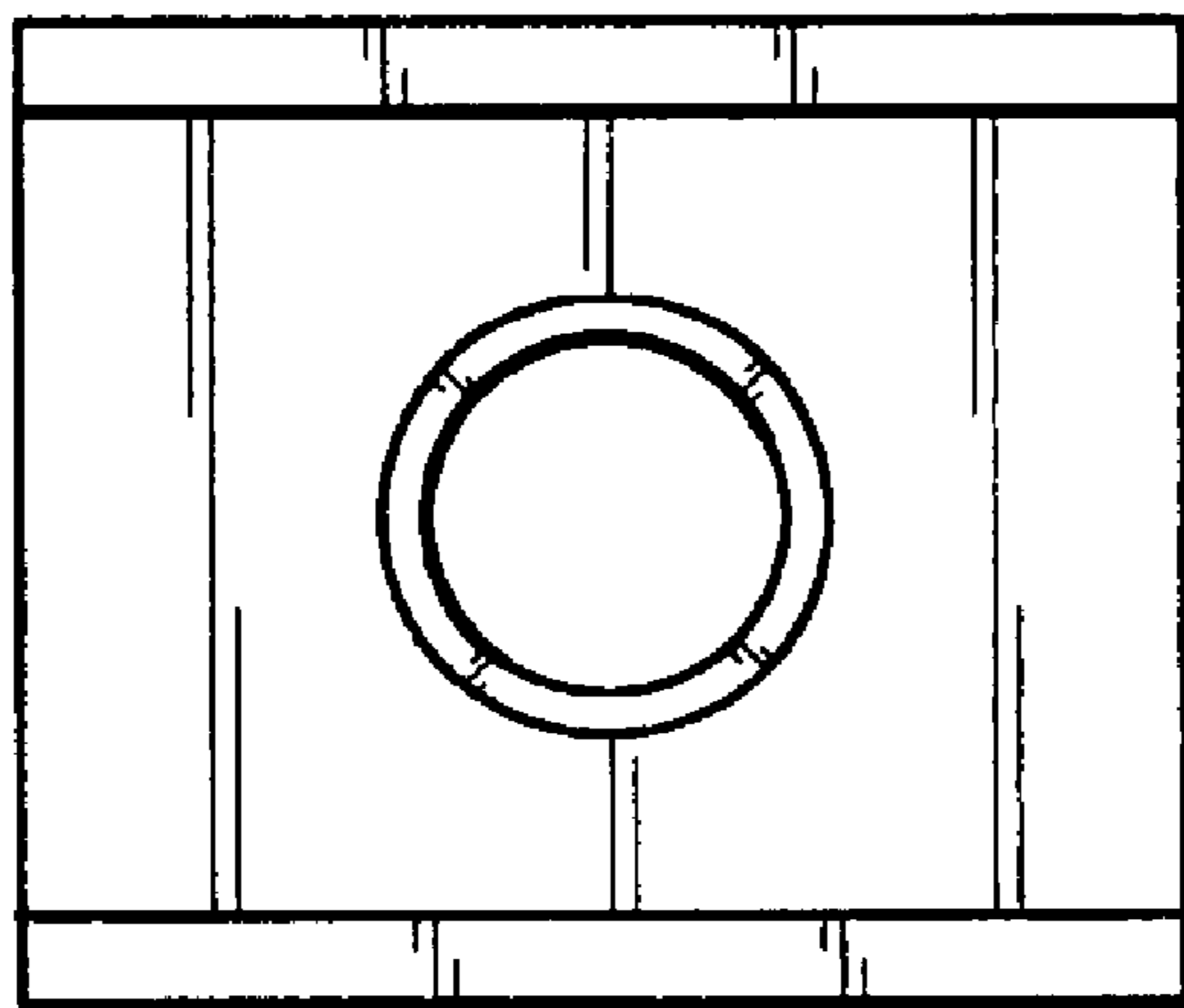
**FIG. 4**



**FIG. 5**



**FIG. 6**



**FIG. 7**