



US00D522344S

(12) **United States Design Patent**
Gilbert

(10) **Patent No.:** **US D522,344 S**

(45) **Date of Patent:** **** Jun. 6, 2006**

(54) **HANDLE**

(75) Inventor: **Christopher Jon Gilbert**, Moreland Hills, OH (US)

(73) Assignee: **Moen Incorporated**, North Olmsted, OH (US)

(**) Term: **14 Years**

(21) Appl. No.: **29/221,184**

(22) Filed: **Jan. 12, 2005**

(51) **LOC (8) Cl.** **08-06**

(52) **U.S. Cl.** **D8/308**

(58) **Field of Classification Search** D8/300–310,
D8/350–354; D23/250, 252, 238, 239–245,
D23/249–257; 4/675–678; 137/801; 292/336.3,
292/356; D7/398

See application file for complete search history.

D287,269 S 12/1986 Piesco
D287,395 S 12/1986 Piesco
D291,236 S 8/1987 Delepine
D298,564 S 11/1988 Paul
D299,852 S 2/1989 Paul
D303,284 S 9/1989 Paul
D339,852 S * 9/1993 Jans D23/252
D398,039 S * 9/1998 Ku D23/252
D405,162 S 2/1999 Doughty et al.
D405,163 S 2/1999 Doughty et al.
D415,257 S 10/1999 Abel
D428,118 S 7/2000 McKeone
D429,521 S 8/2000 Doughty et al.
D448,067 S * 9/2001 Pitsch D23/252
D455,195 S 4/2002 McKeone
D456,063 S 4/2002 McKeone
D461,536 S 8/2002 Singtoroj
D463,535 S 9/2002 Singtoroj
D468,405 S 1/2003 McKeone
D473,932 S 4/2003 Caplow
D484,951 S 1/2004 Lin
D500,946 S * 1/2005 Trzaska D8/308

(56) **References Cited**
U.S. PATENT DOCUMENTS

D33,787 S 12/1900 Meiners
D33,860 S 1/1901 Glauber
D72,772 S 5/1927 Kipper
D76,713 S 10/1928 Smith
D76,903 S 11/1928 Smith
D76,904 S 11/1928 Smith
D76,925 S 11/1928 Frankenberger
D77,334 S 12/1928 Thompson
D77,377 S 1/1929 Thompson
D78,619 S 5/1929 Frankenberger
D82,360 S 10/1930 Albert
D85,498 S 11/1931 Teller et al.
D90,353 S 7/1933 Balton
D96,625 S 8/1935 Robinovitz
D96,839 S 9/1935 Johnston
D97,398 S 11/1935 Levett
D97,941 S 12/1935 Levett
D162,273 S 2/1951 Young
D163,236 S 5/1951 Young
D175,819 S * 10/1955 Young D23/252
D221,431 S * 8/1971 Petterson D23/252
D287,163 S 12/1986 Piesco

* cited by examiner

Primary Examiner—Paula A. Greene
(74) *Attorney, Agent, or Firm*—Calfee, Halter & Griswold LLP

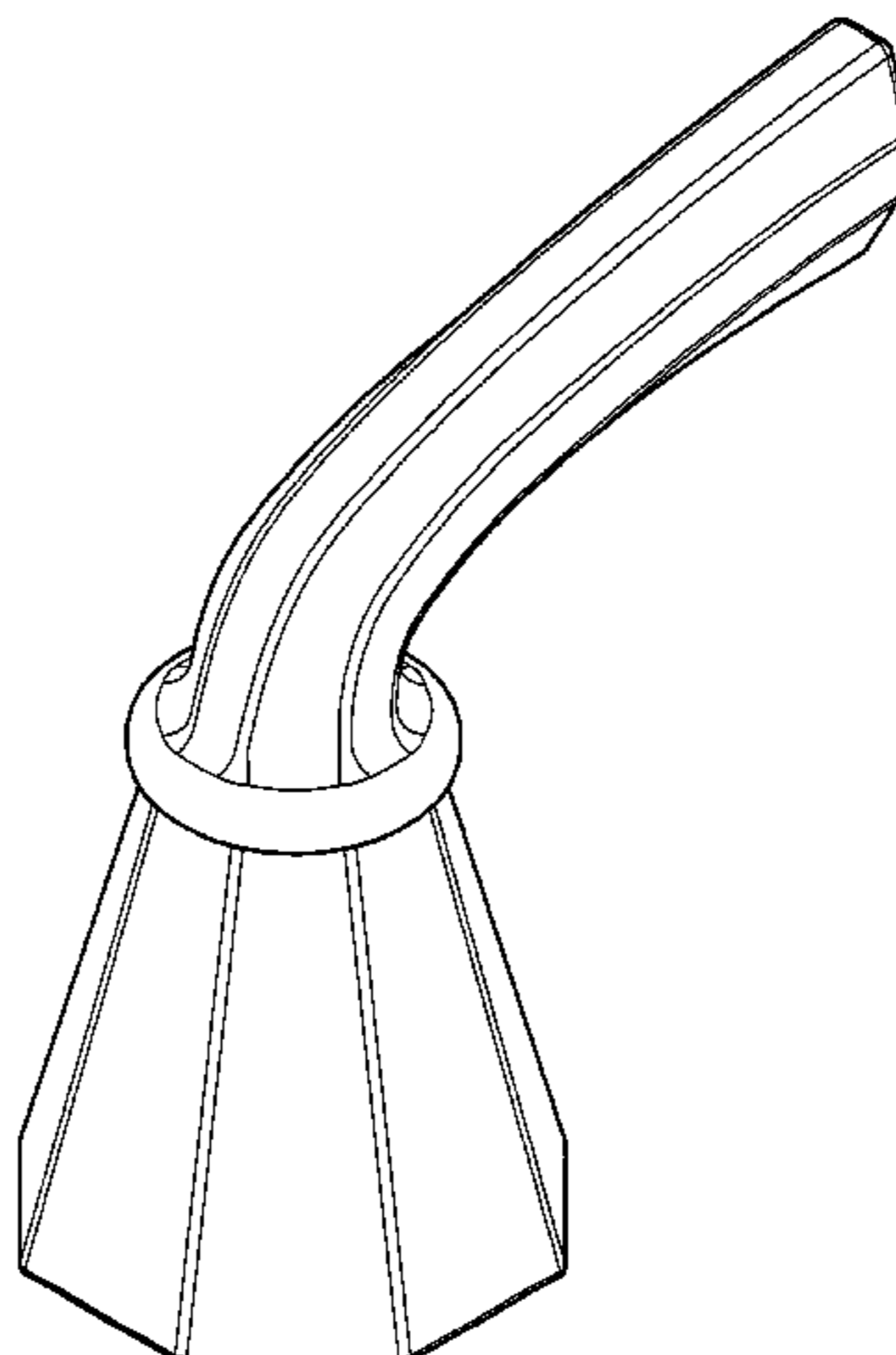
(57) **CLAIM**

The ornamental design for a handle, as shown and described.

DESCRIPTION

FIG. 1 is a perspective view of a handle of the new design; FIG. 2 is a front elevational view of the handle of FIG. 1; FIG. 3 is a rear elevational view of the handle of FIG. 1; FIG. 4 is a left side elevational view of the handle of FIG. 1; FIG. 5 is a right side elevational view of the handle of FIG. 1; FIG. 6 is top plan view of the handle of FIG. 1; and, FIG. 7 is a bottom plan view of the handle of FIG. 1. The portions of the Figures shown in broken lines are not part of the claimed design but are for illustration only.

1 Claim, 5 Drawing Sheets



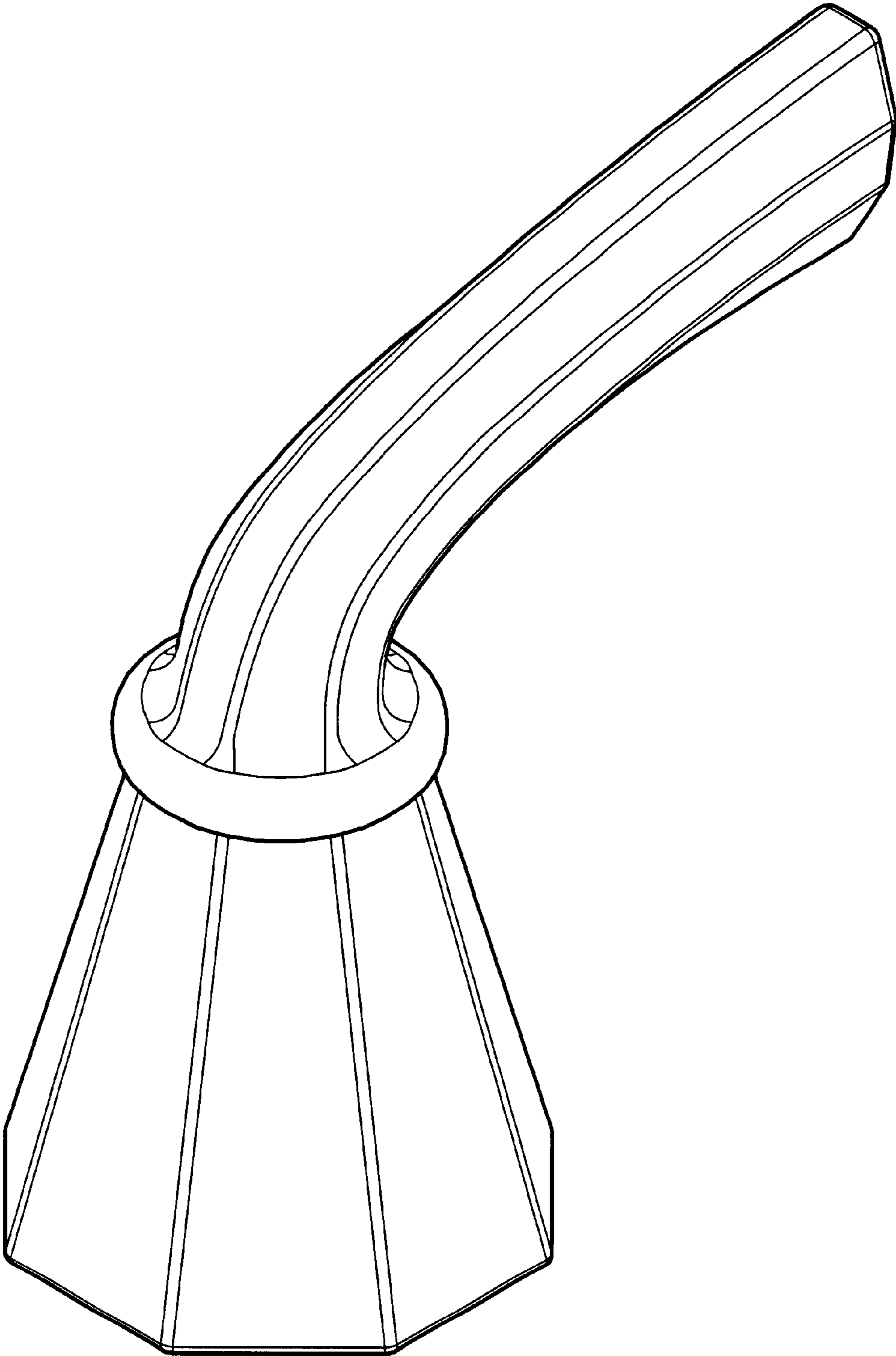


FIG. 1

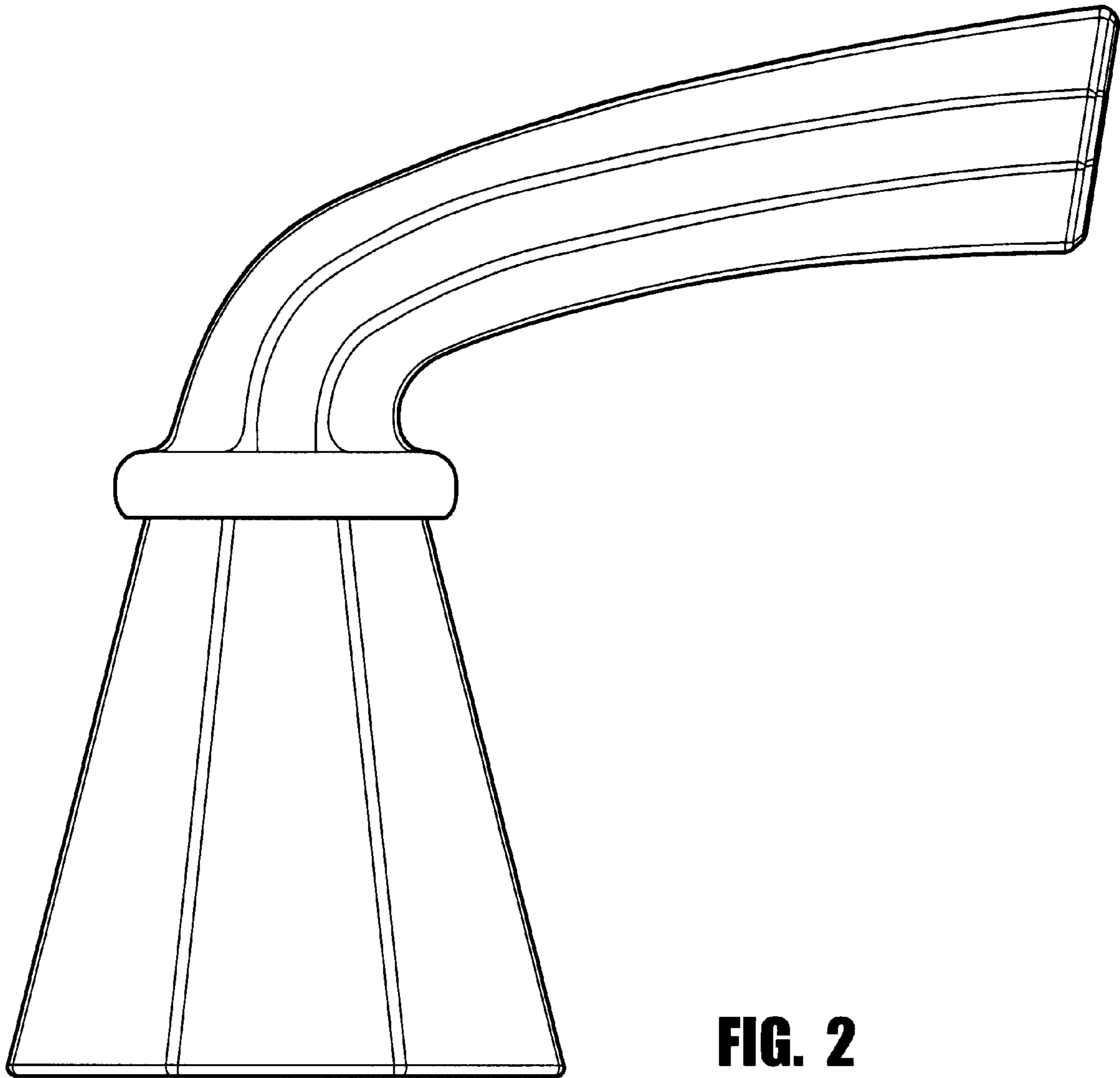


FIG. 2

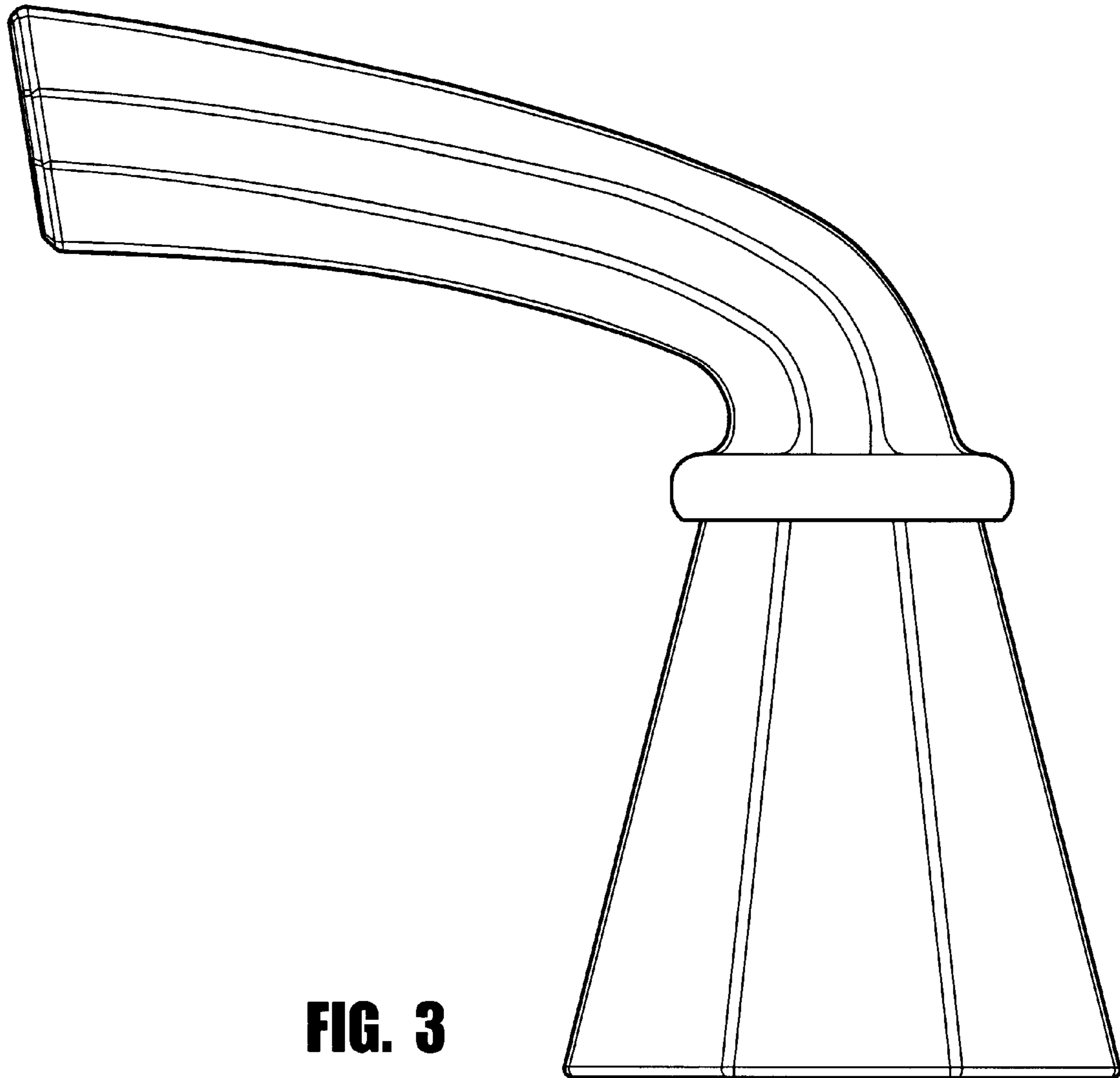


FIG. 3

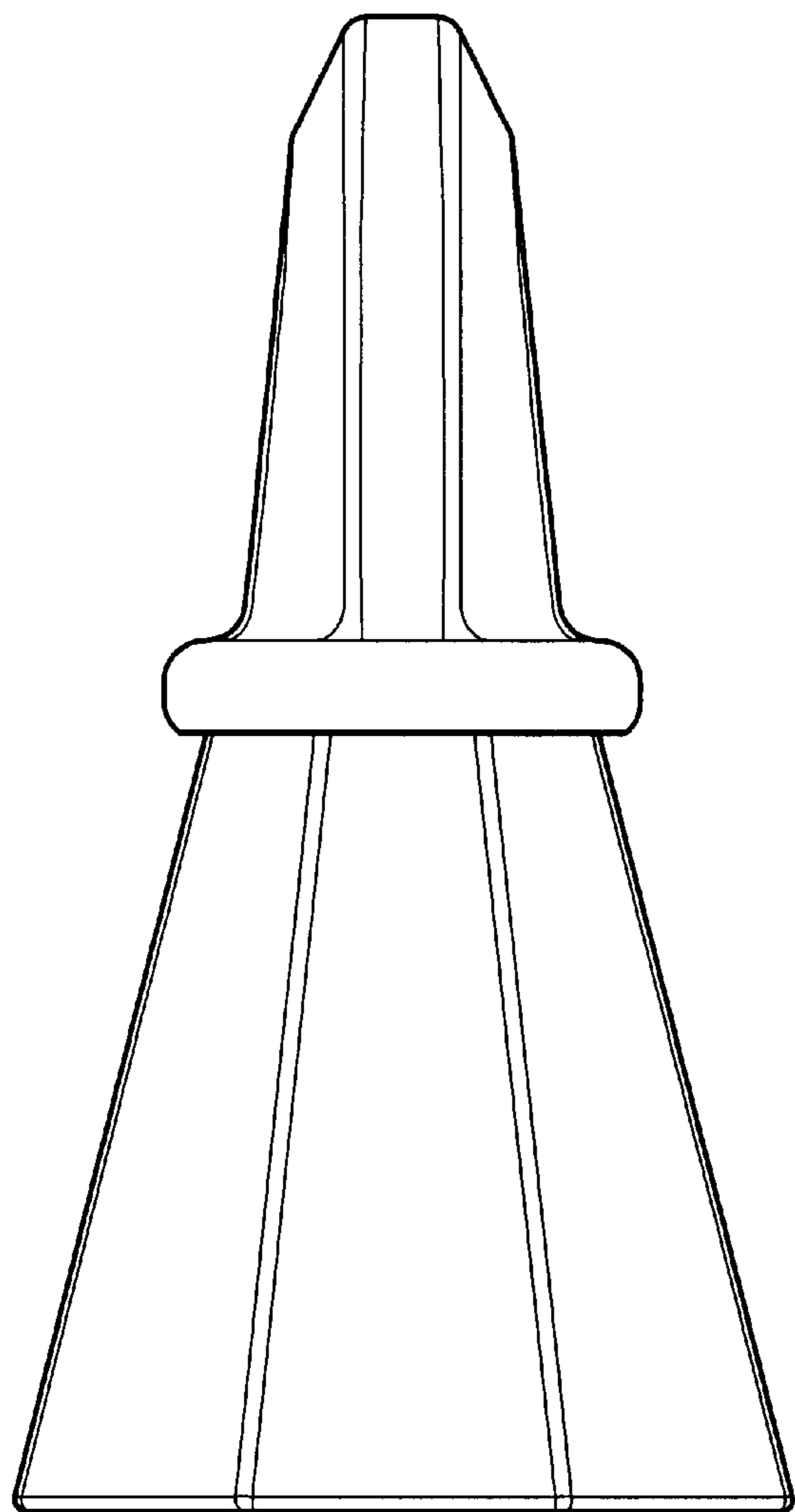


FIG. 4

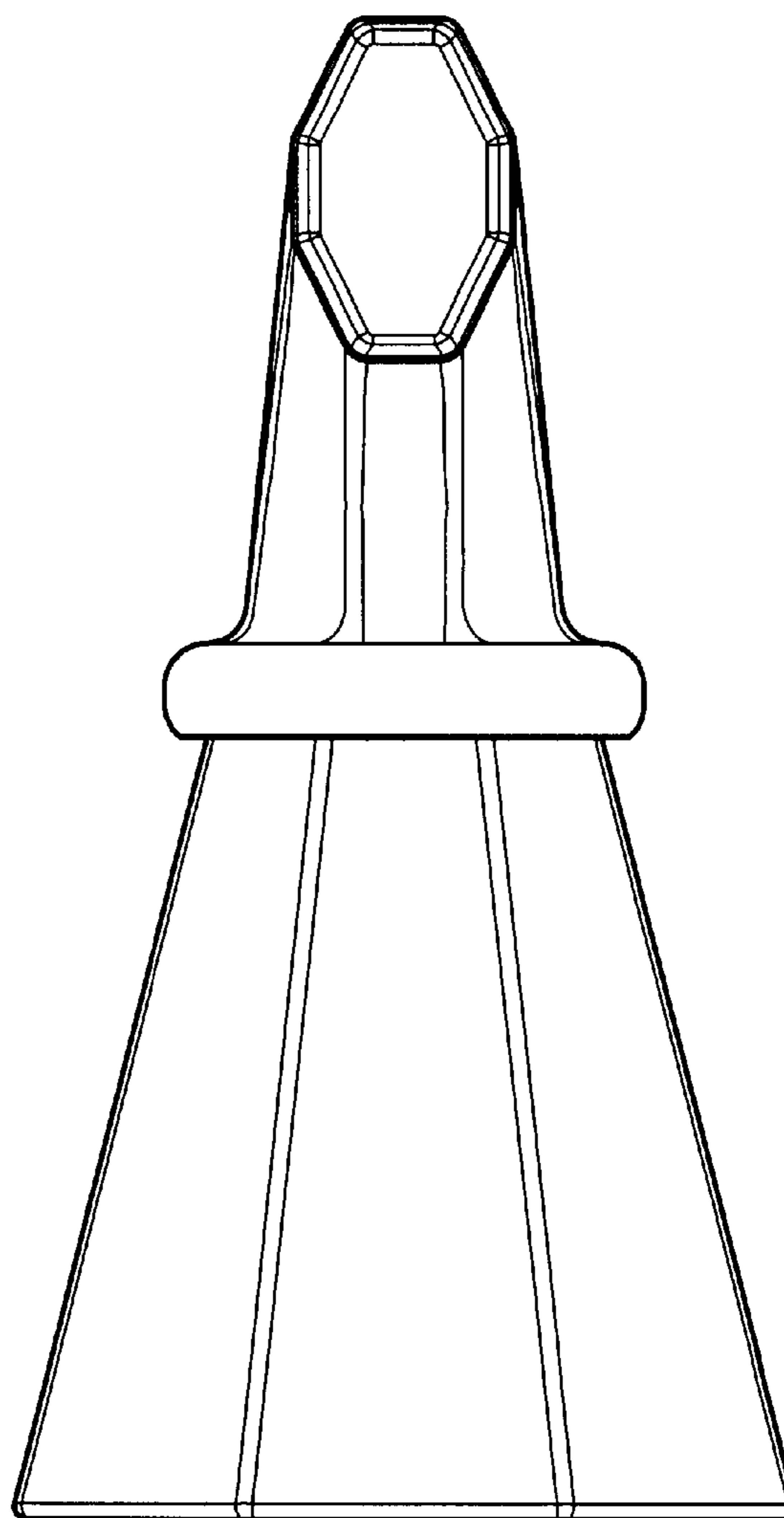


FIG. 5

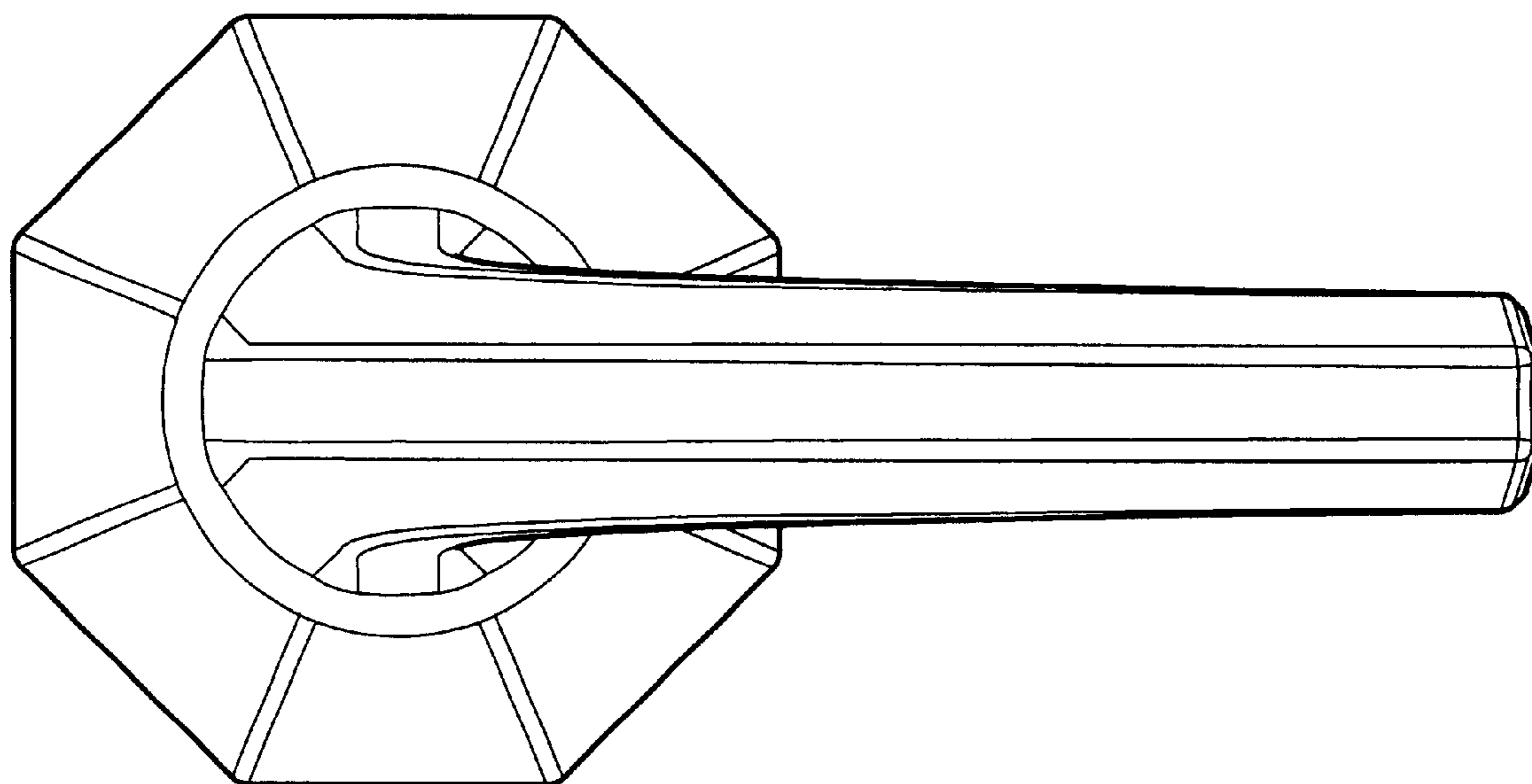


FIG. 6

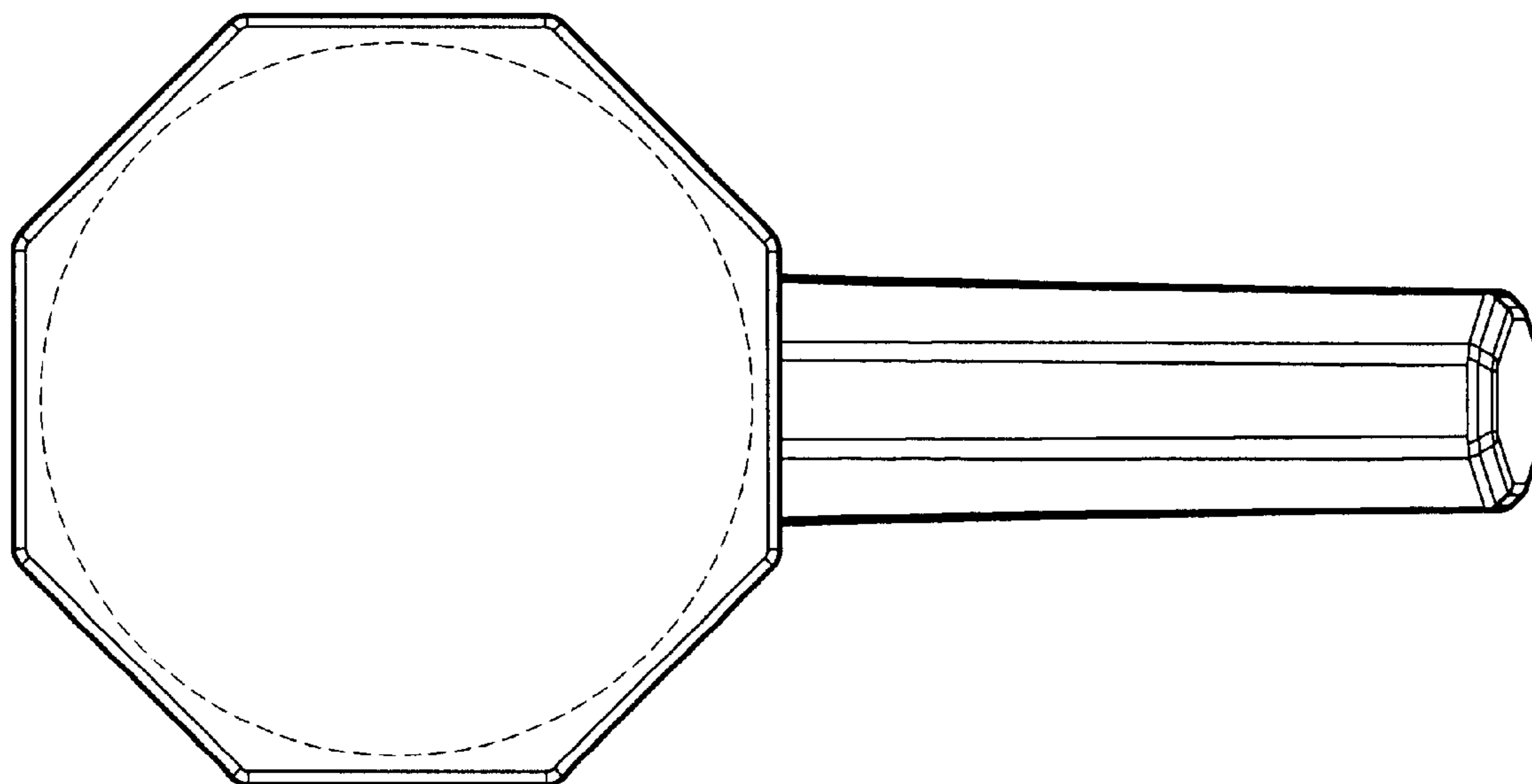


FIG. 7