

US00D522343S

(12) **United States Design Patent**
Boyce

(10) **Patent No.:** **US D522,343 S**

(45) **Date of Patent:** **** Jun. 6, 2006**

(54) **VEHICLE DOOR HANDLE**

(76) **Inventor:** **James A. Boyce**, 191 Kelly Rd.,
Morgantown, WV (US) 26508

(**) **Term:** **14 Years**

(21) **Appl. No.:** **29/230,769**

(22) **Filed:** **May 26, 2005**

(51) **LOC (8) Cl.** **08-06**

(52) **U.S. Cl.** **D8/302; D8/308**

(58) **Field of Classification Search** D8/300,
D8/302, 308, 313, 301, 306, 315-320, 353,
D8/336; D12/190; 292/336.3, 347-348; 16/402,
16/412; 70/207, 208, 451, 466; 49/503
See application file for complete search history.

(56) **References Cited**

U.S. PATENT DOCUMENTS

2,683,889 A * 7/1954 Kanocz 16/402
D183,429 S * 8/1958 Reynolds D8/302
3,054,634 A * 9/1962 Westerdale 292/336.3

D292,063 S * 9/1987 Hill D8/302
5,791,703 A * 8/1998 Kritzler et al. 292/336.3
D427,045 S * 6/2000 Larsen et al. D8/302
6,173,535 B1 * 1/2001 Deischl et al. 49/503
D499,951 S * 12/2004 Hattori D8/308
6,871,887 B1 * 3/2005 Jooss et al. 292/336.3
6,880,870 B1 * 4/2005 Costigan 292/336.3

* cited by examiner

Primary Examiner—Paula A. Greene

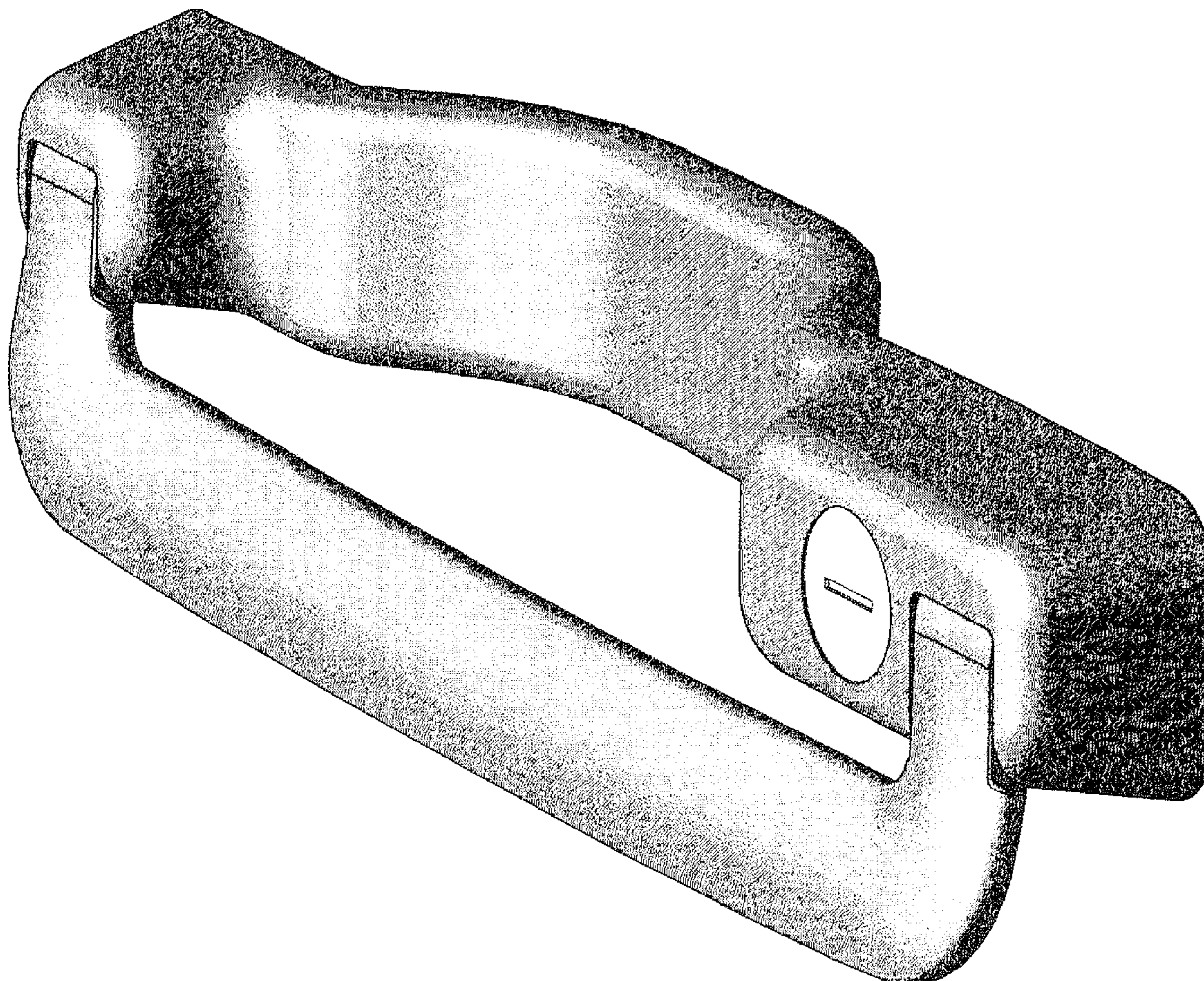
(57) **CLAIM**

I claim the ornamental design for a vehicle door handle, as shown and described.

DESCRIPTION

Door handle designed for use on motor vehicles.
FIG. 1 is a front elevational view of a vehicle door handle showing my new design, the undisclosed rear is not part of the claimed design;
FIG. 2 is a right perspective view thereof; and,
FIG. 3 is a left perspective view thereof.

1 Claim, 2 Drawing Sheets



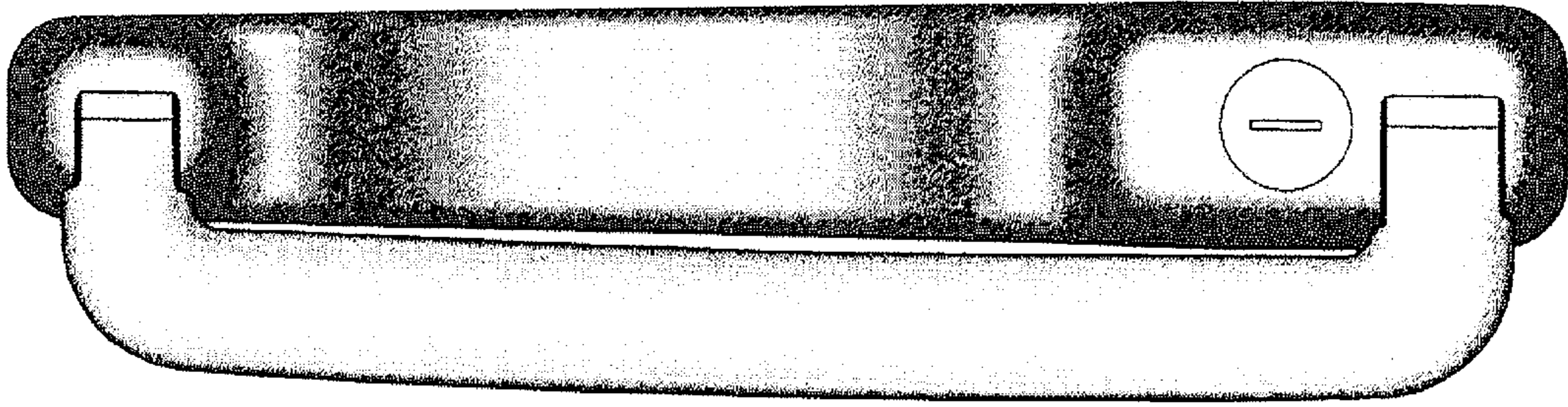


FIGURE 1

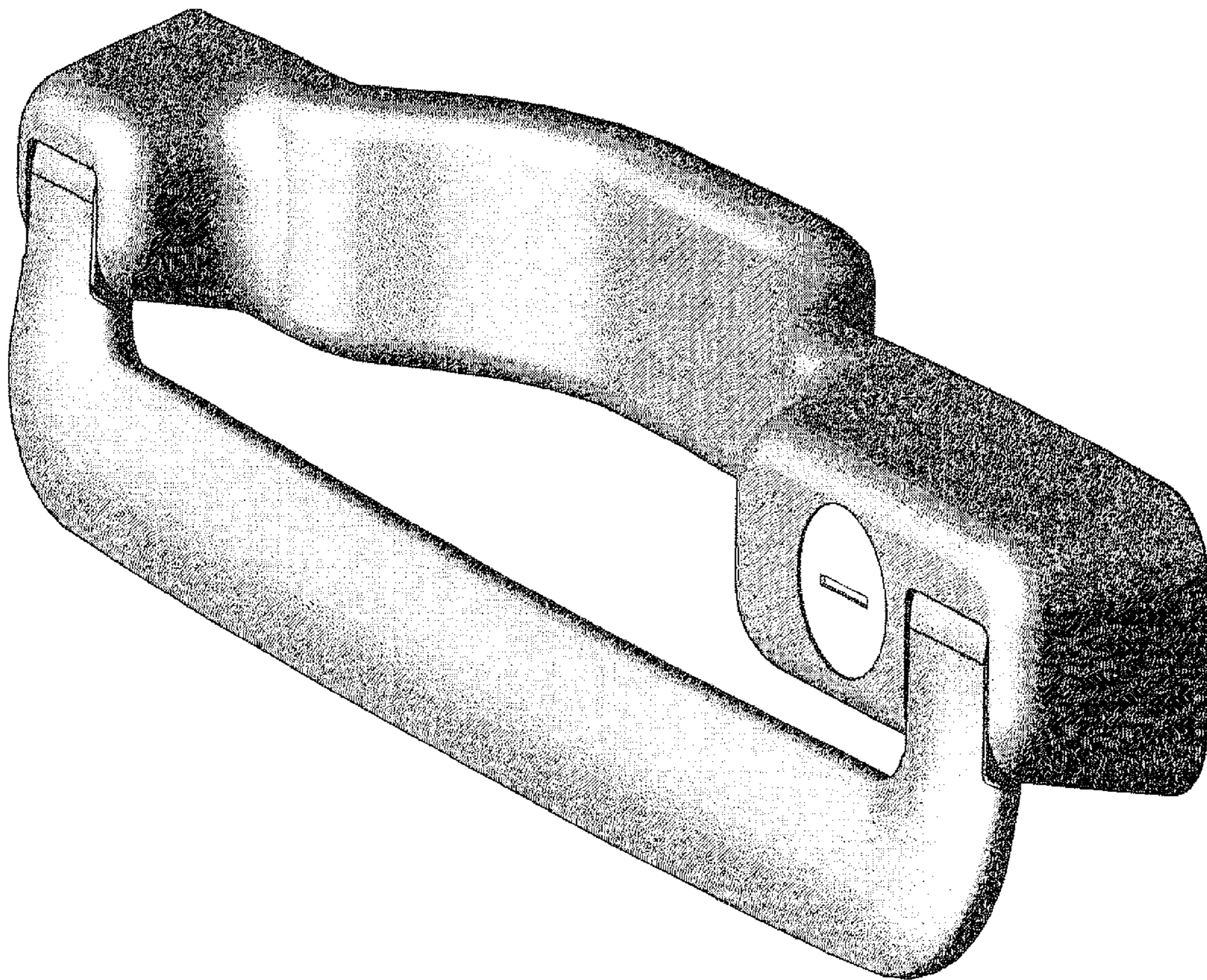


FIGURE 2

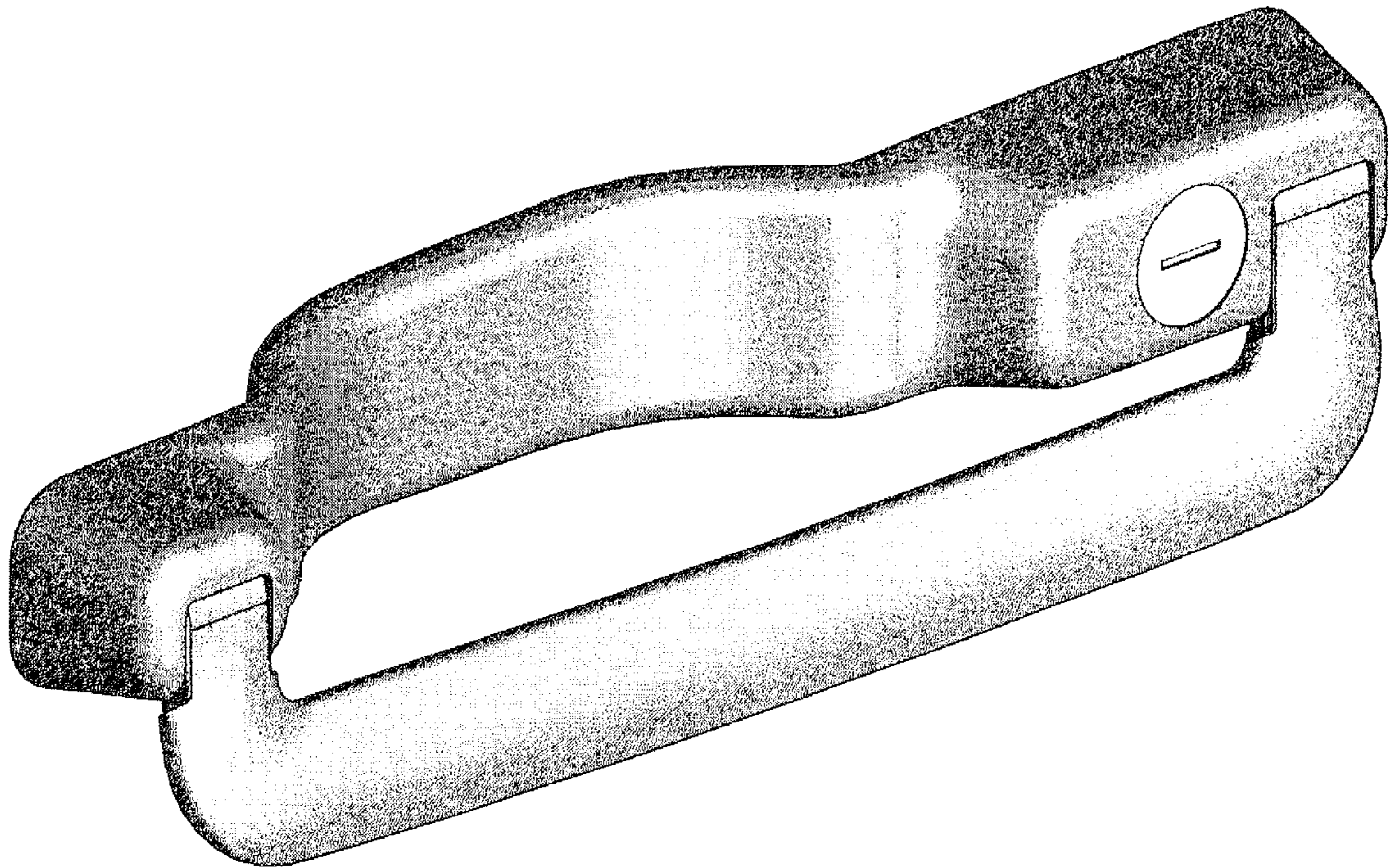


FIGURE 3