



US00D522339S

(12) **United States Design Patent**
Kimura

(10) **Patent No.:** **US D522,339 S**

(45) **Date of Patent:** **** Jun. 6, 2006**

(54) **CUTTING BLADE FOR PORTABLE METAL BAR CUTTER**

(75) Inventor: **Kiyoshi Kimura**, Ebina (JP)

(73) Assignee: **Kabushiki Kaisha Ogura**, Ebina (JP)

(**) Term: **14 Years**

(21) Appl. No.: **29/214,676**

(22) Filed: **Oct. 6, 2004**

(30) **Foreign Application Priority Data**

Apr. 6, 2004 (JP) 2004-010523

(51) **LOC (8) Cl.** **08-03**

(52) **U.S. Cl.** **D8/70**

(58) **Field of Classification Search** D8/61,
D8/62, 63, 64, 65, 66, 67, 68, 69, 70, 14,
D8/98; D15/133, 138, 139, 140, 124, 125,
D15/127; 29/239, 252; 72/392, 705; 81/186,
81/302, 349, 423, 383.5, 900; 254/93 H,
254/93 R; 403/378; 30/134, 180, 228, 229,
30/245, 258, 279.2

See application file for complete search history.

(56) **References Cited**

U.S. PATENT DOCUMENTS

198,709 A	*	12/1877	Thornton	81/423
1,284,351 A	*	11/1918	Jagiello	403/378
1,467,262 A	*	9/1923	Barker	30/228
1,546,867 A	*	7/1925	Smith	30/134
1,915,435 A	*	6/1933	Miller	30/228
D137,923 S	*	5/1944	Beard	D8/70
2,446,011 A	*	7/1948	Johnson et al.	173/169
2,815,004 A	*	12/1957	Droman	30/228
2,854,877 A	*	10/1958	Hunt	81/349
2,975,518 A	*	3/1961	Nelson	30/263
D223,987 S	*	6/1972	Gamble	D8/61
4,587,732 A	*	5/1986	Lind et al.	30/180
4,682,416 A	*	7/1987	Stolfa	D8/70
4,760,644 A	*	8/1988	Yirmiyahu et al.	30/180
5,105,543 A	*	4/1992	Maarschalk et al.	30/180
5,243,761 A	*	9/1993	Sullivan et al.	30/134
D386,661 S	*	11/1997	Hirabayashi et al.	D8/68

D387,961 S	*	12/1997	Yasui et al.	D8/68
D401,946 S	*	12/1998	Azkona	D15/127
D404,627 S	*	1/1999	Hirabayashi	D8/68
5,860,214 A	*	1/1999	Morikawa et al.	30/134
5,875,554 A	*	3/1999	Vogelsanger	30/228
5,953,822 A	*	9/1999	Vogelsanger	30/228
D416,567 S	*	11/1999	Vogelsanger	D15/139
6,092,290 A	*	7/2000	Vogelsanger	30/228
6,178,643 B1	*	1/2001	Erbrick et al.	30/228
D487,386 S	*	3/2004	Clivio	D8/70
D488,695 S	*	4/2004	Peterson	D8/70
6,735,870 B1	*	5/2004	Nordlin	30/134
6,957,560 B1	*	10/2005	Lefavour et al.	30/180
2005/0102838 A1	*	5/2005	Leason	30/134

FOREIGN PATENT DOCUMENTS

GB 2055225 S * 3/1996

* cited by examiner

Primary Examiner—Gary D. Watson
Assistant Examiner—T. Chase Nelson
(74) *Attorney, Agent, or Firm*—Leydig, Voit & Mayer, Ltd.

(57) **CLAIM**

The ornamental design for a cutting blade for portable metal bar cutter, as shown and described.

DESCRIPTION

FIG. 1 is a perspective view of a cutting blade for portable metal bar cutter;
FIG. 2 is a front elevational view thereof;
FIG. 3 is a rear elevational view thereof;
FIG. 4 is a top plan view thereof;
FIG. 5 is a bottom plan view thereof;
FIG. 6 is a left side elevational view thereof;
FIG. 7 is a right side elevational view thereof;
FIG. 8 is a view showing a pair of the cutting blades of the invention installed in a portable bar cutting machine in the closed position; and,
FIG. 9 is a view showing a pair of the cutting blades of the invention installed in a portable metal bar cutting machine in the open position.
The broken lines disclosing a metal bar cutting machine are for illustration purposes only and form no part of the claimed design.

1 Claim, 3 Drawing Sheets

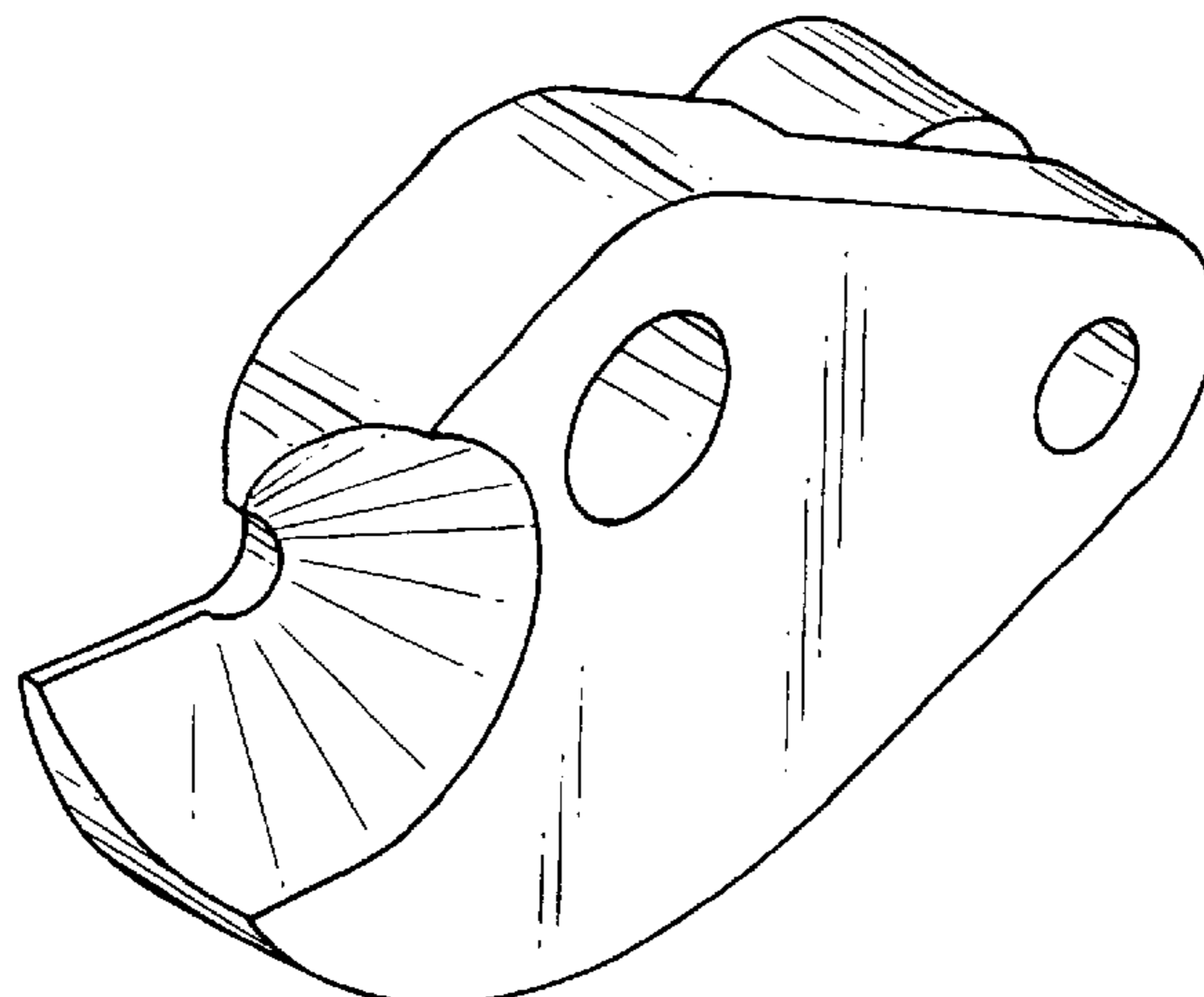


FIG. 1

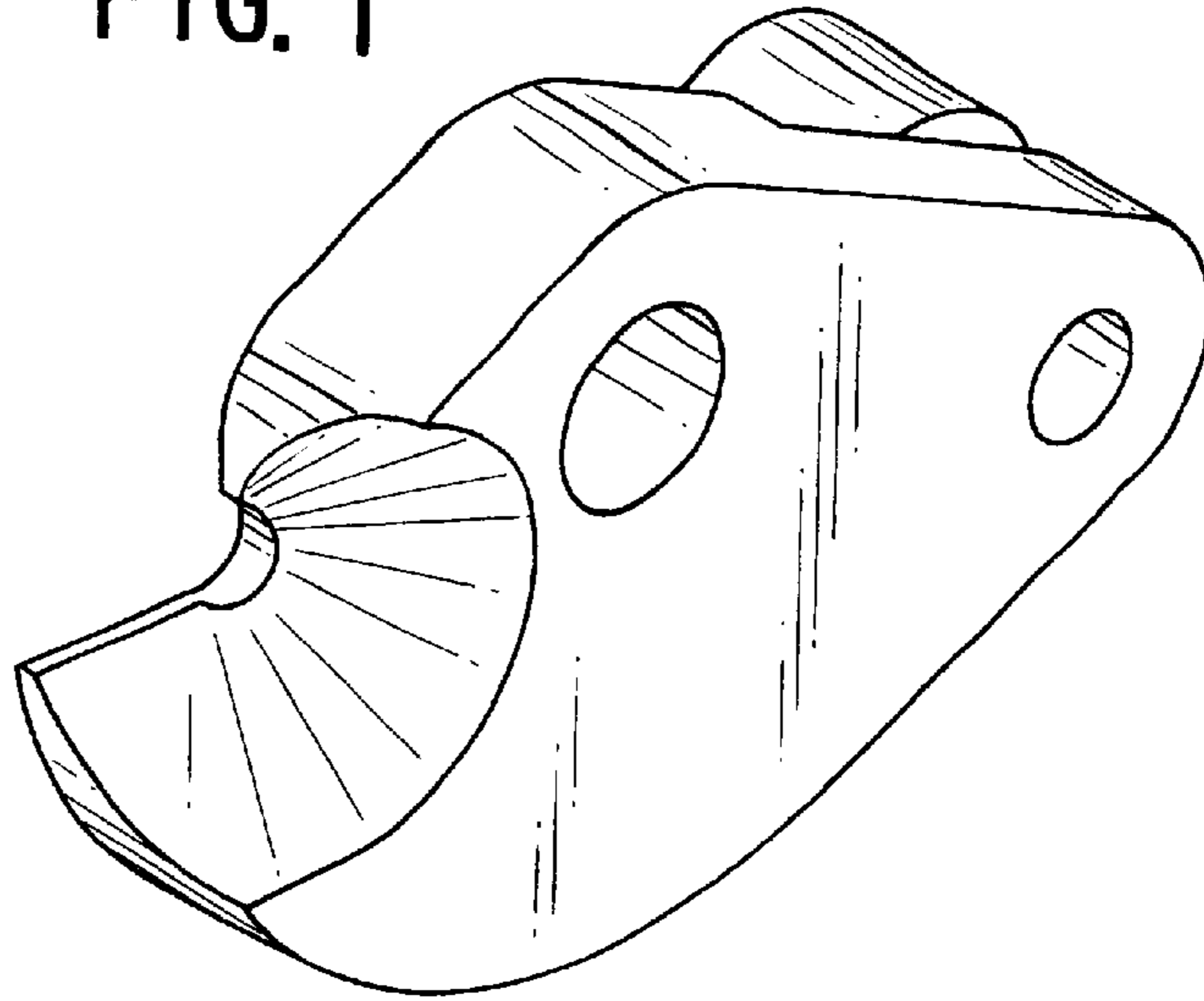


FIG. 2

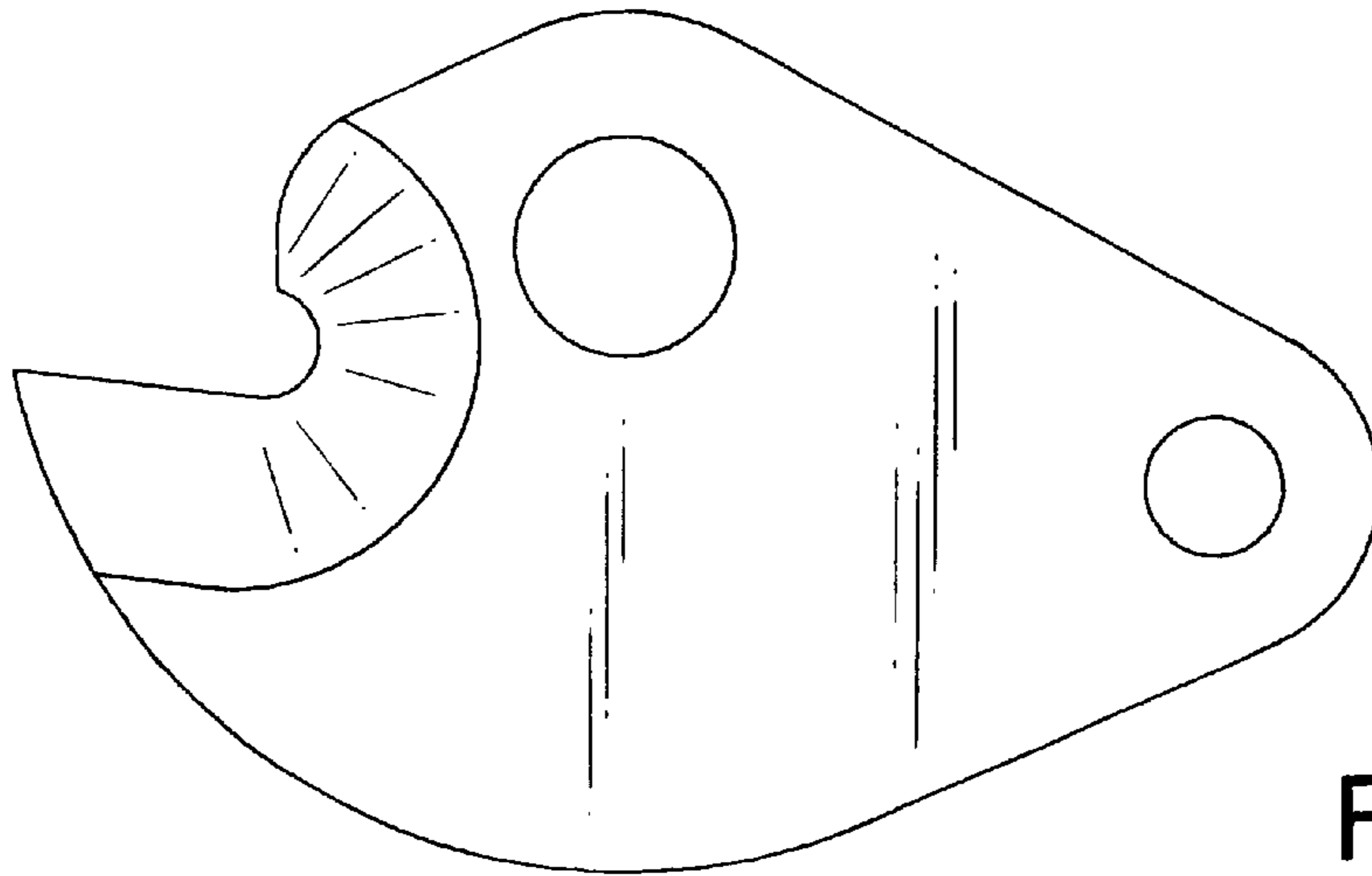


FIG. 3

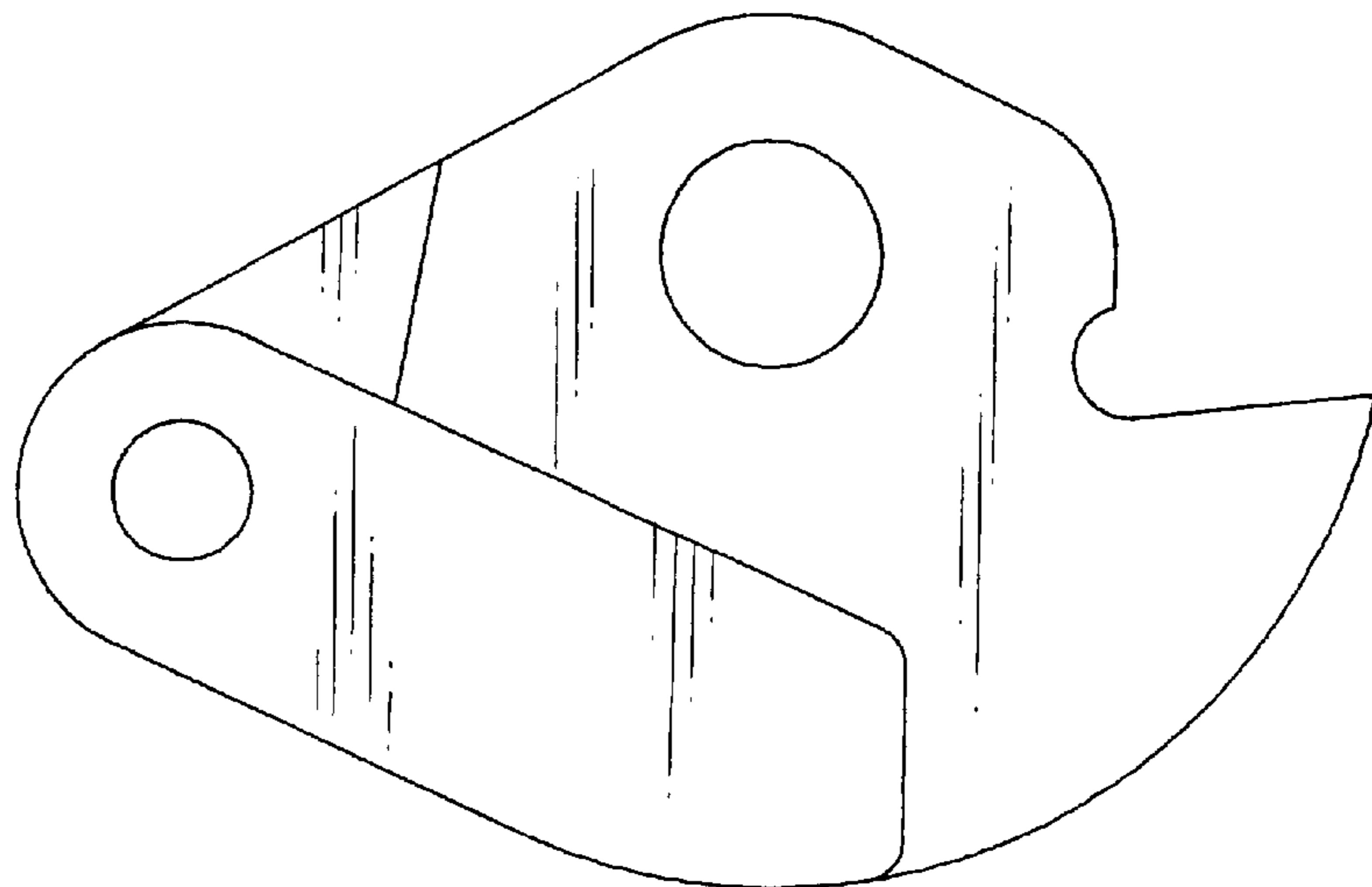


FIG. 4

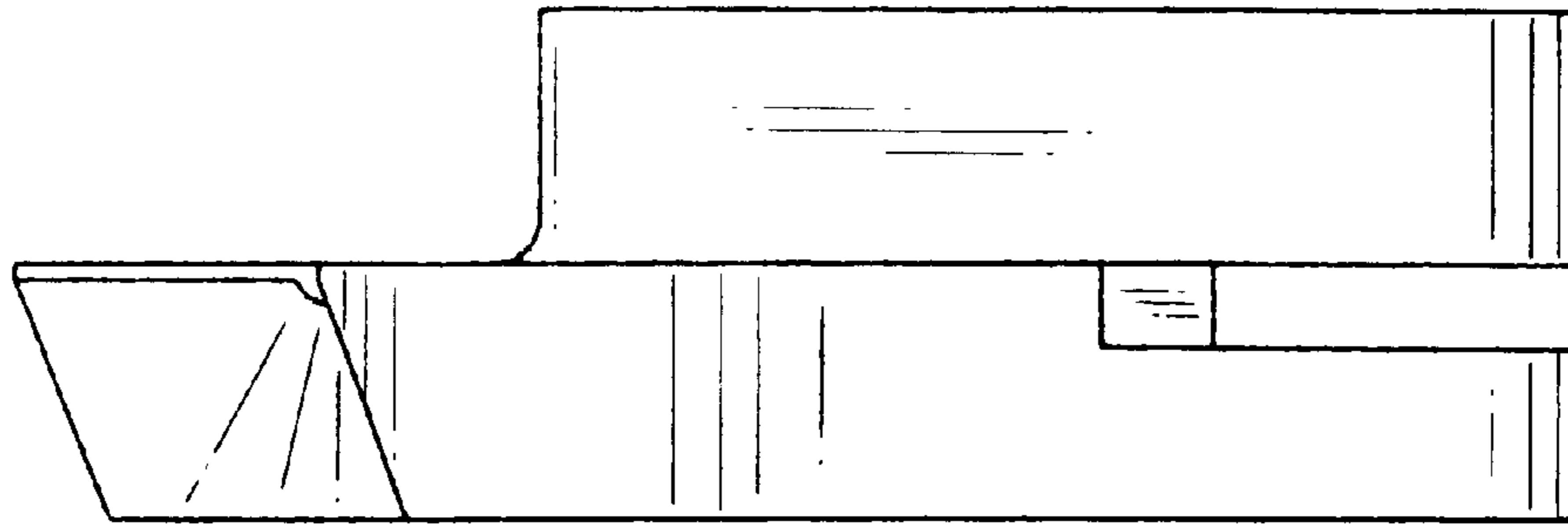


FIG. 5

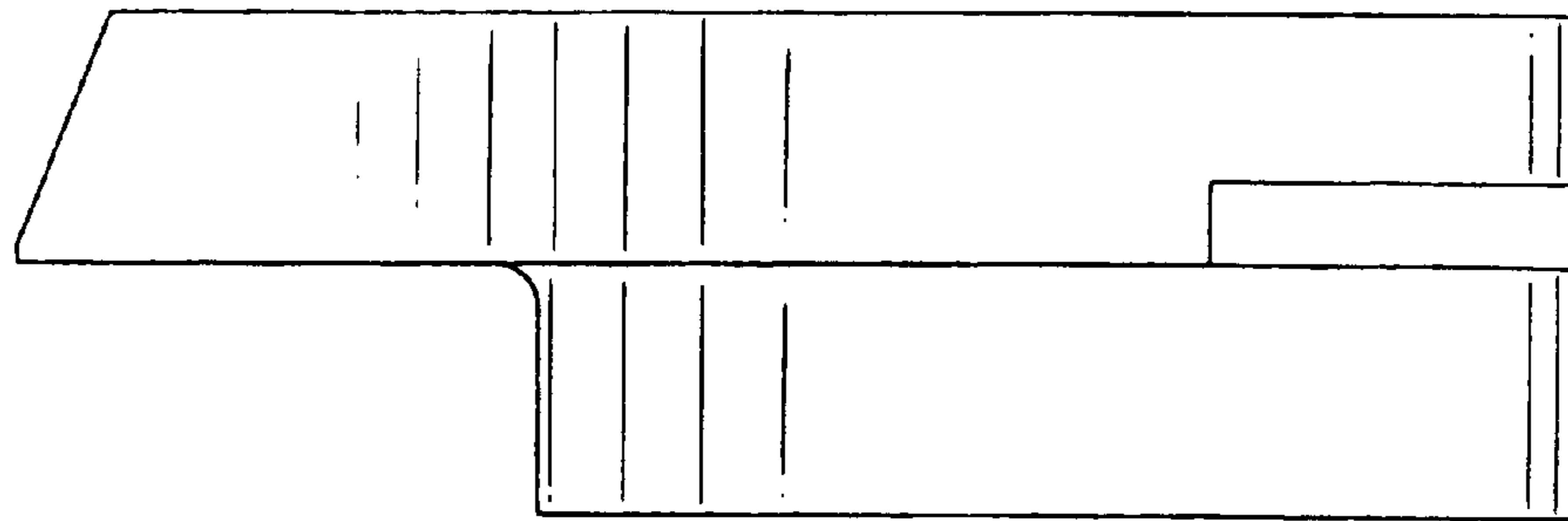


FIG. 6

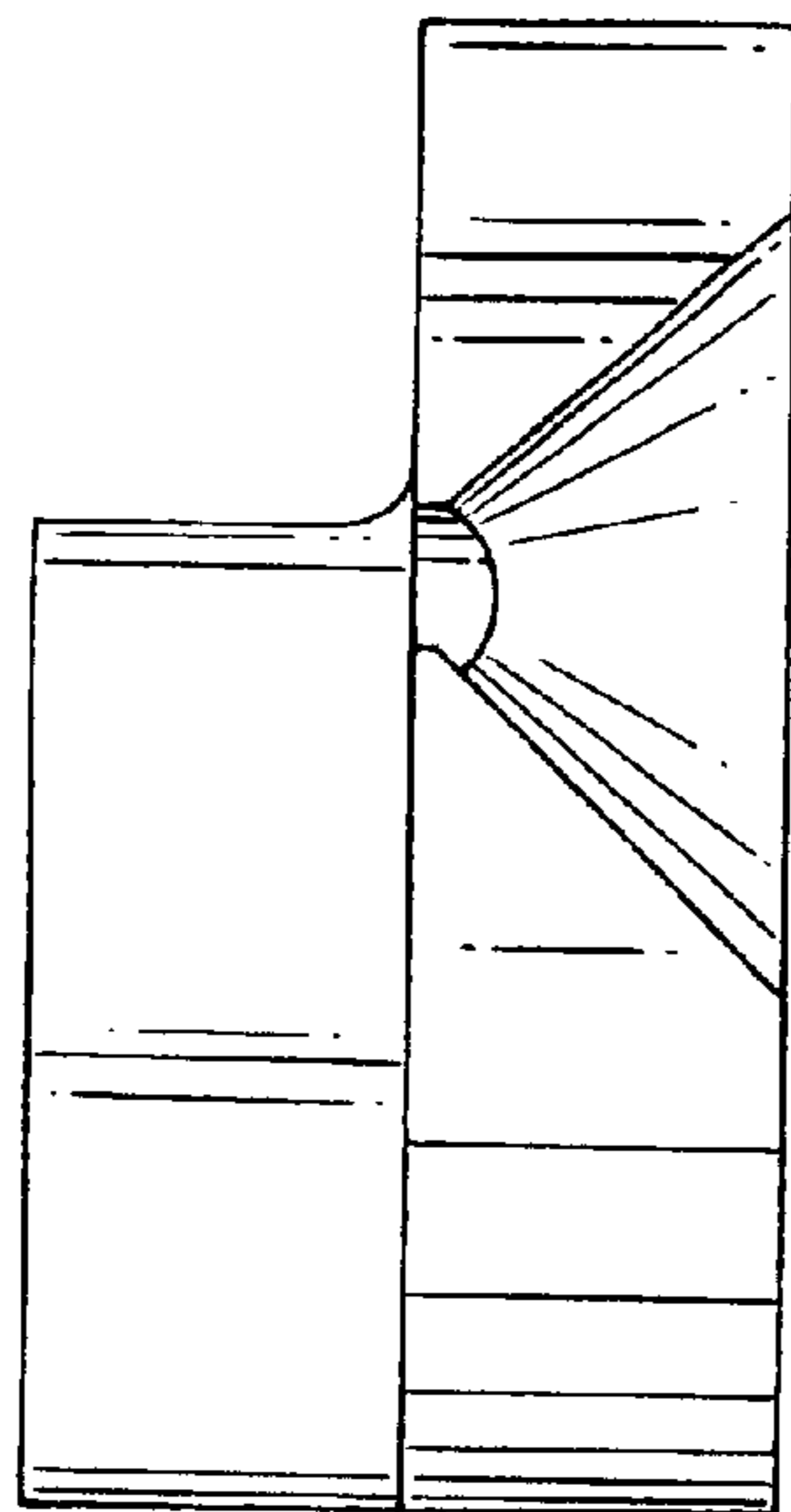


FIG. 7

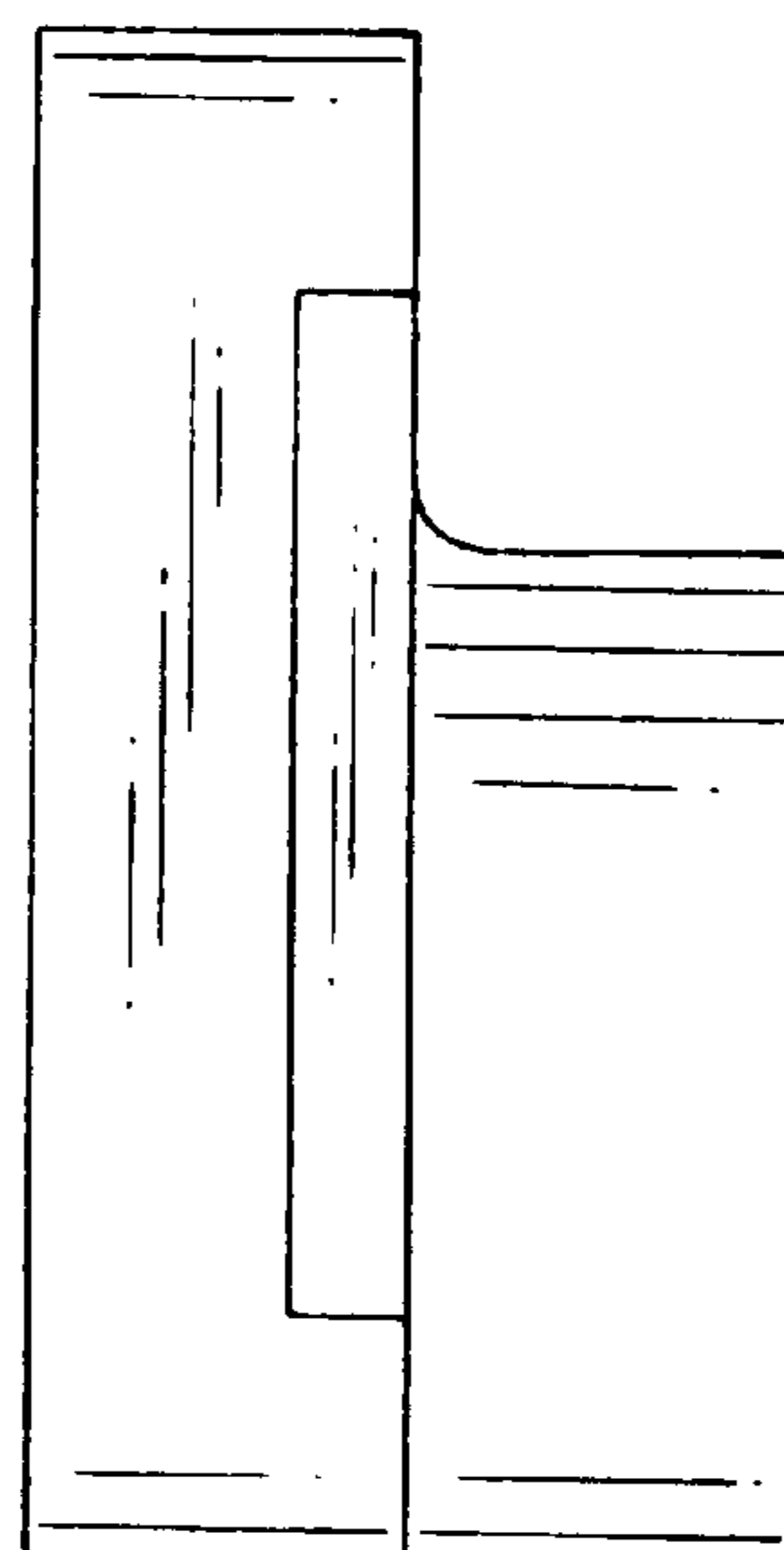


FIG. 8

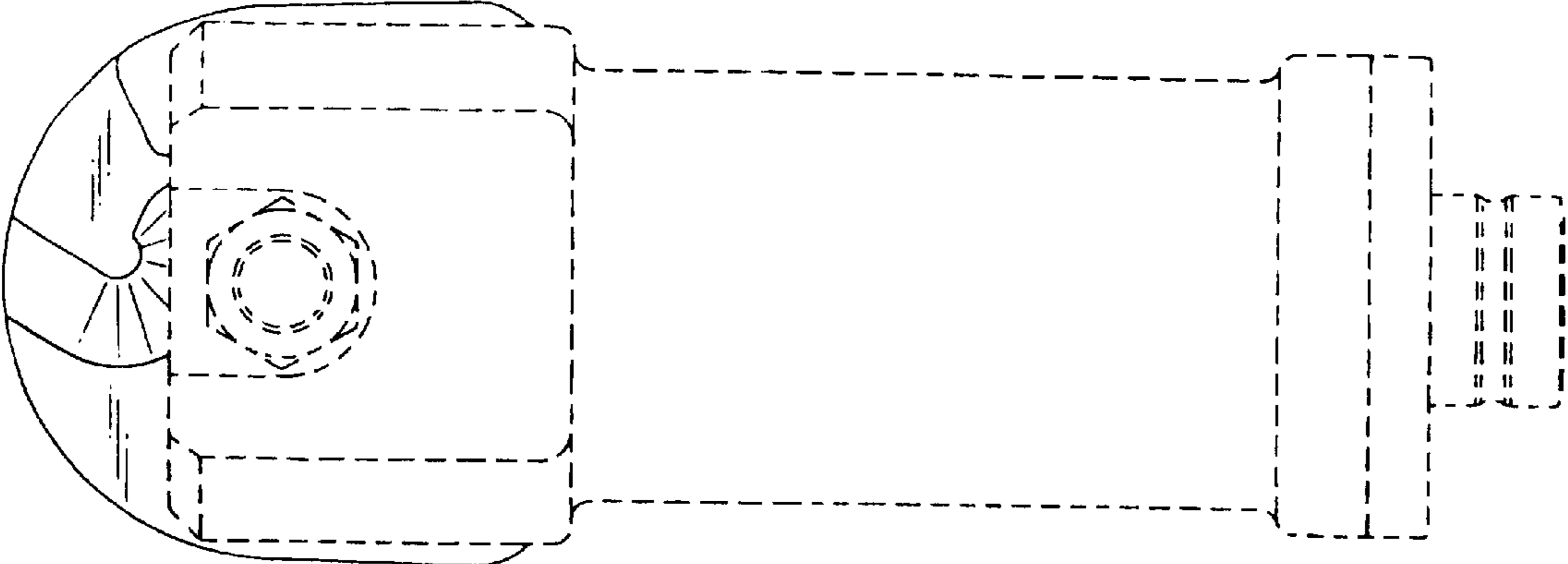


FIG. 9

