

US00D522338S

(12) **United States Design Patent**
Heun

(10) **Patent No.:** **US D522,338 S**
(45) **Date of Patent:** **** Jun. 6, 2006**

(54) **ROUTER ATTACHMENT**

(75) Inventor: **Ping Hay Heun**, Aberdeen (CN)

(73) Assignee: **Choon Nang Electrical Appliance Mfy., Ltd.**, Aberdeen (HK)

(**) Term: **14 Years**

(21) Appl. No.: **29/209,092**

(22) Filed: **Jul. 9, 2004**

(30) **Foreign Application Priority Data**

Jun. 11, 2004 (EM) 000188644

(51) **LOC (8) Cl.** **08-05**

(52) **U.S. Cl.** **D8/70**

(58) **Field of Classification Search** D15/138;
D8/67, 70; 409/182, 137, 175; 144/136.95,
144/48.6

See application file for complete search history.

(56) **References Cited**

U.S. PATENT DOCUMENTS

5,662,440 A * 9/1997 Kikuchi et al. 409/182

6,237,657 B1 * 5/2001 Qian 144/252.1
RE37,247 E * 6/2001 Blickhan et al. 409/137
6,725,892 B1 * 4/2004 McDonald et al. 144/136.95
6,896,454 B1 * 5/2005 Gerhardt et al. 409/182

* cited by examiner

Primary Examiner—Antoine D. Davis

Assistant Examiner—Patricia Palasik

(74) *Attorney, Agent, or Firm*—Alix, Yale & Ristas, LLP

(57) **CLAIM**

The ornamental design for a router attachment, as shown and described.

DESCRIPTION

FIG. 1 is a front, right side and top perspective view of a router attachment showing my new design; FIG. 2 is a front side elevational view thereof; FIG. 3 is a rear side elevational view thereof; FIG. 4 is a left side elevational view thereof; FIG. 5 is a right side elevational view thereof; FIG. 6 is a top plan view thereof; and, FIG. 7 is a bottom plan view thereof.

1 Claim, 7 Drawing Sheets

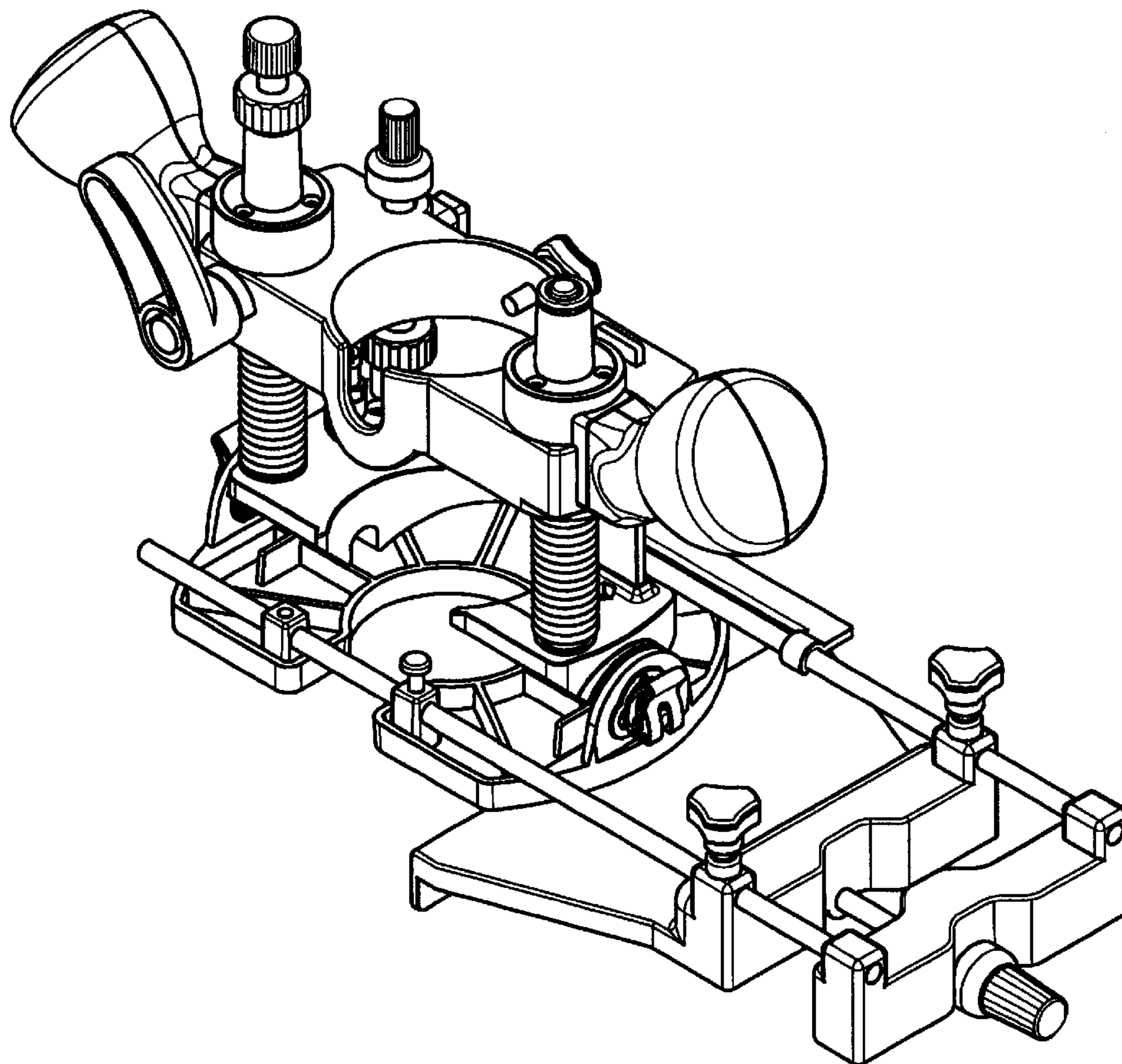


Figure 1

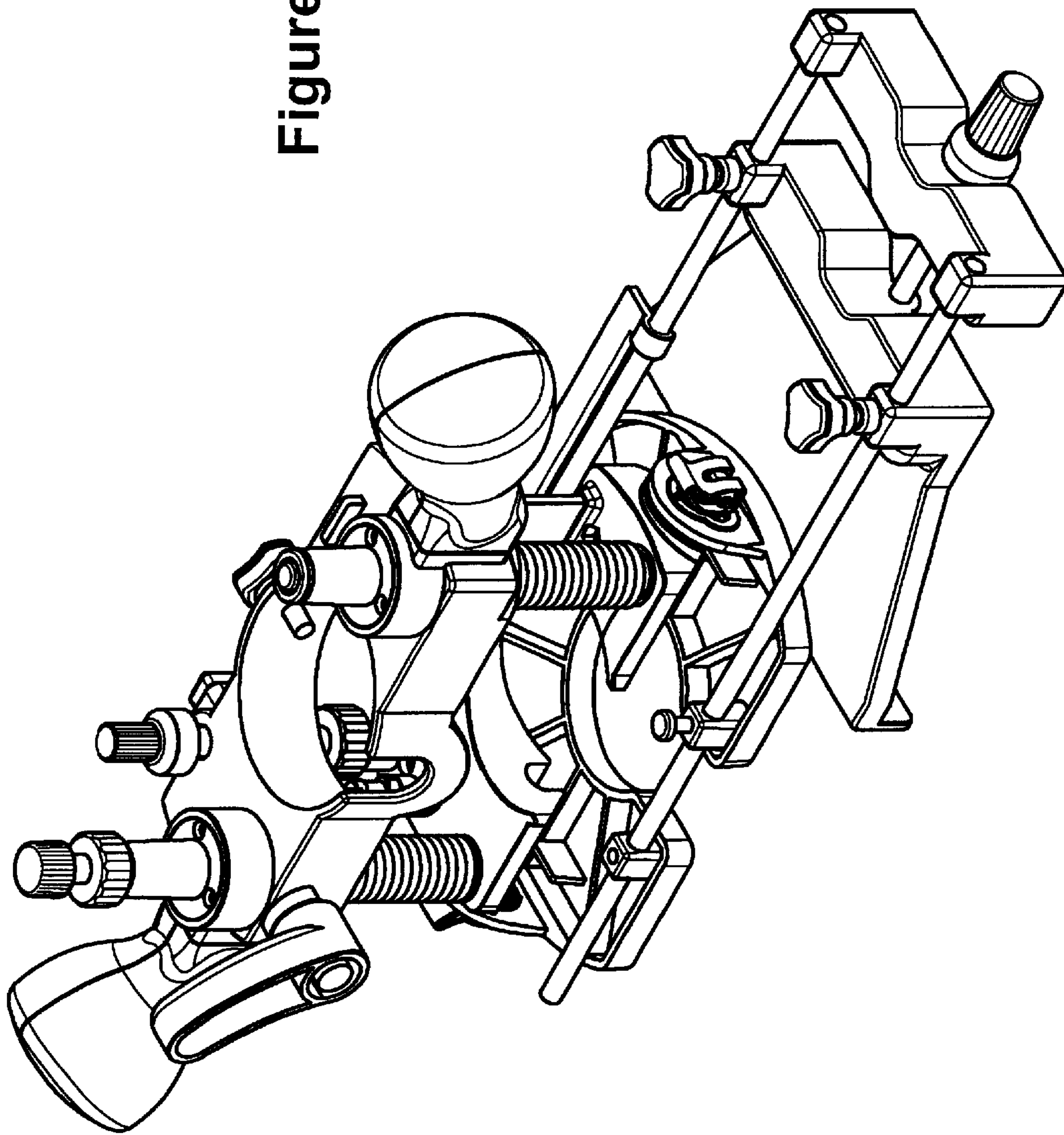
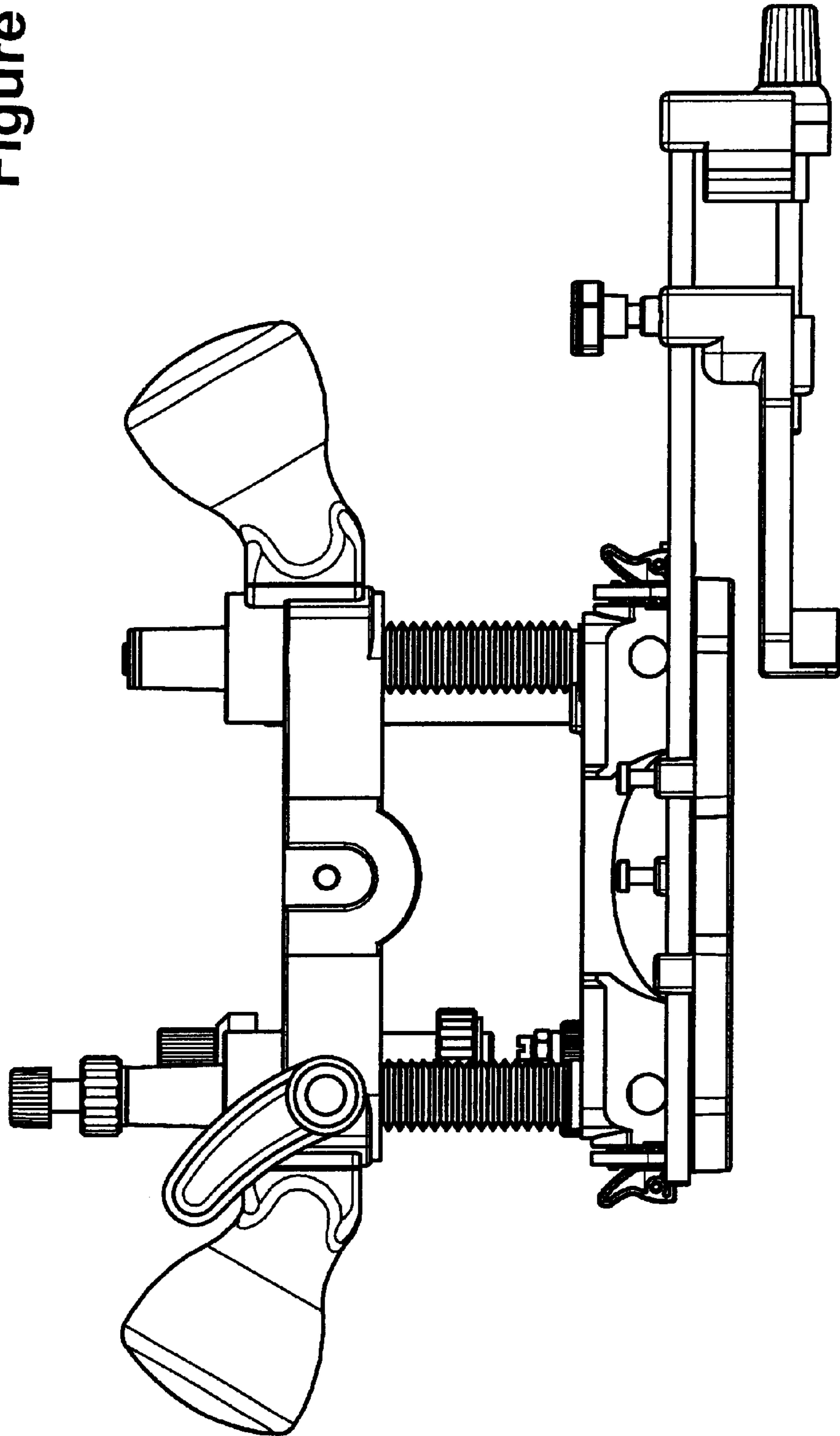


Figure 2



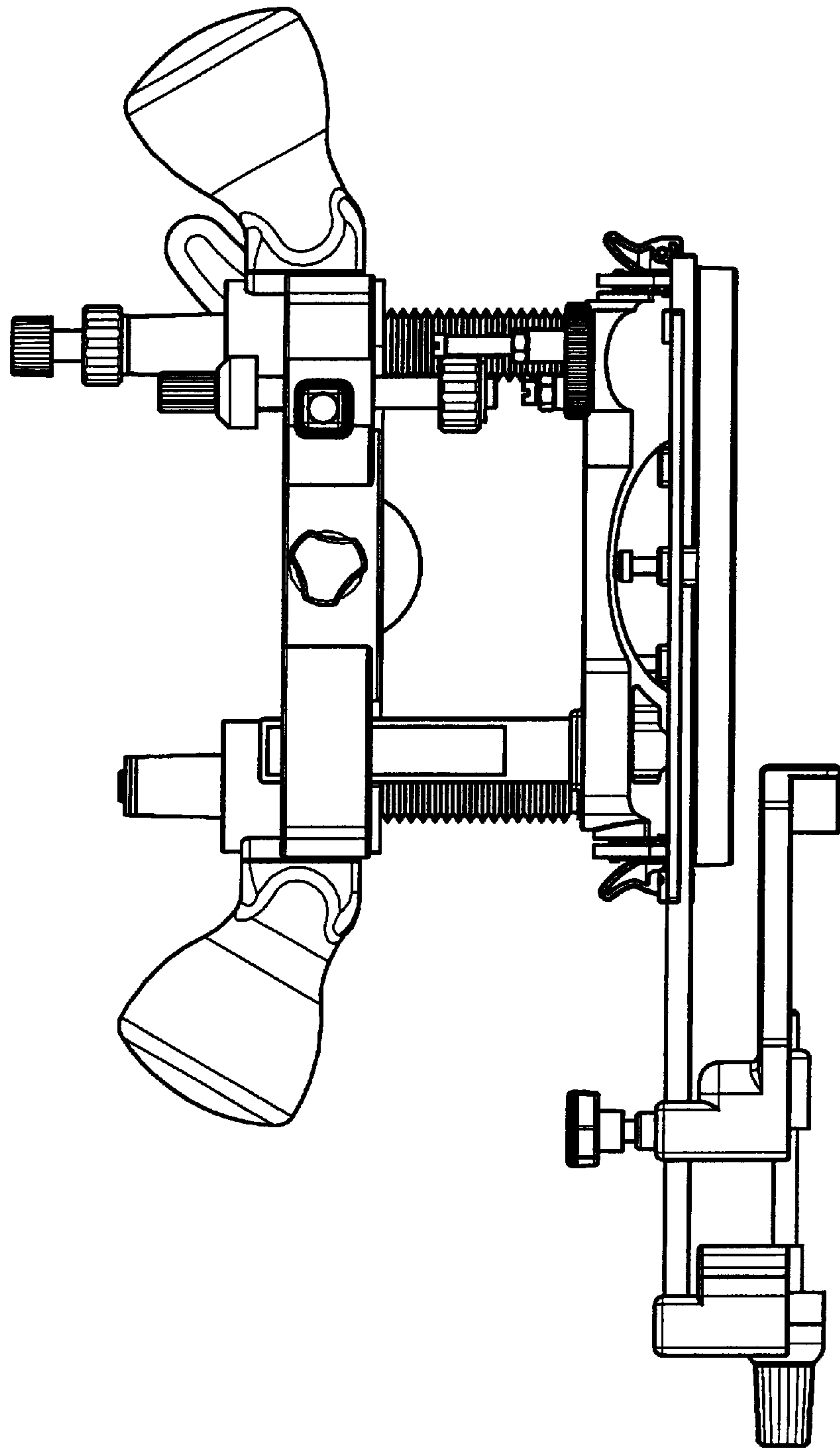


Figure 3

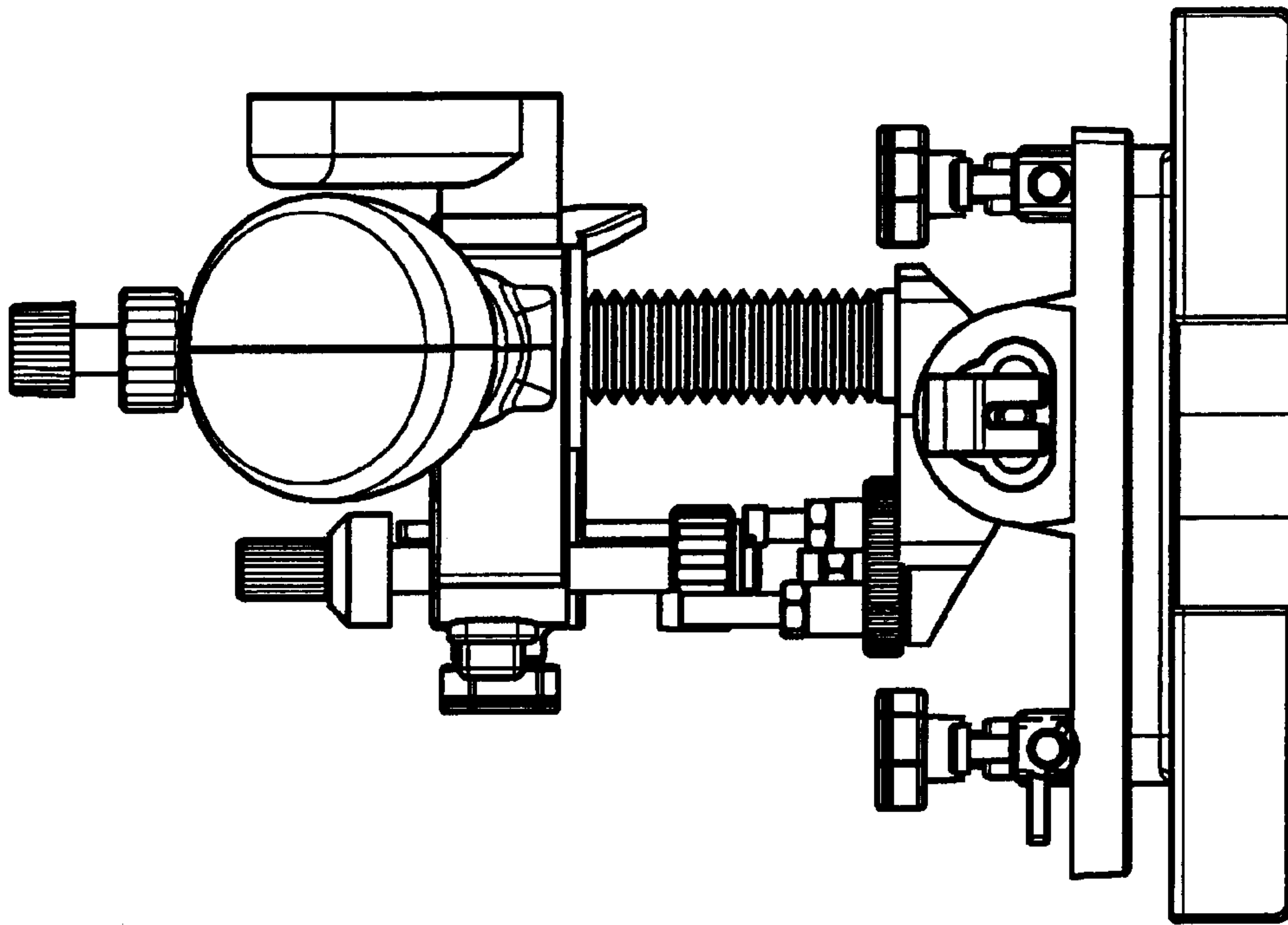


Figure 4

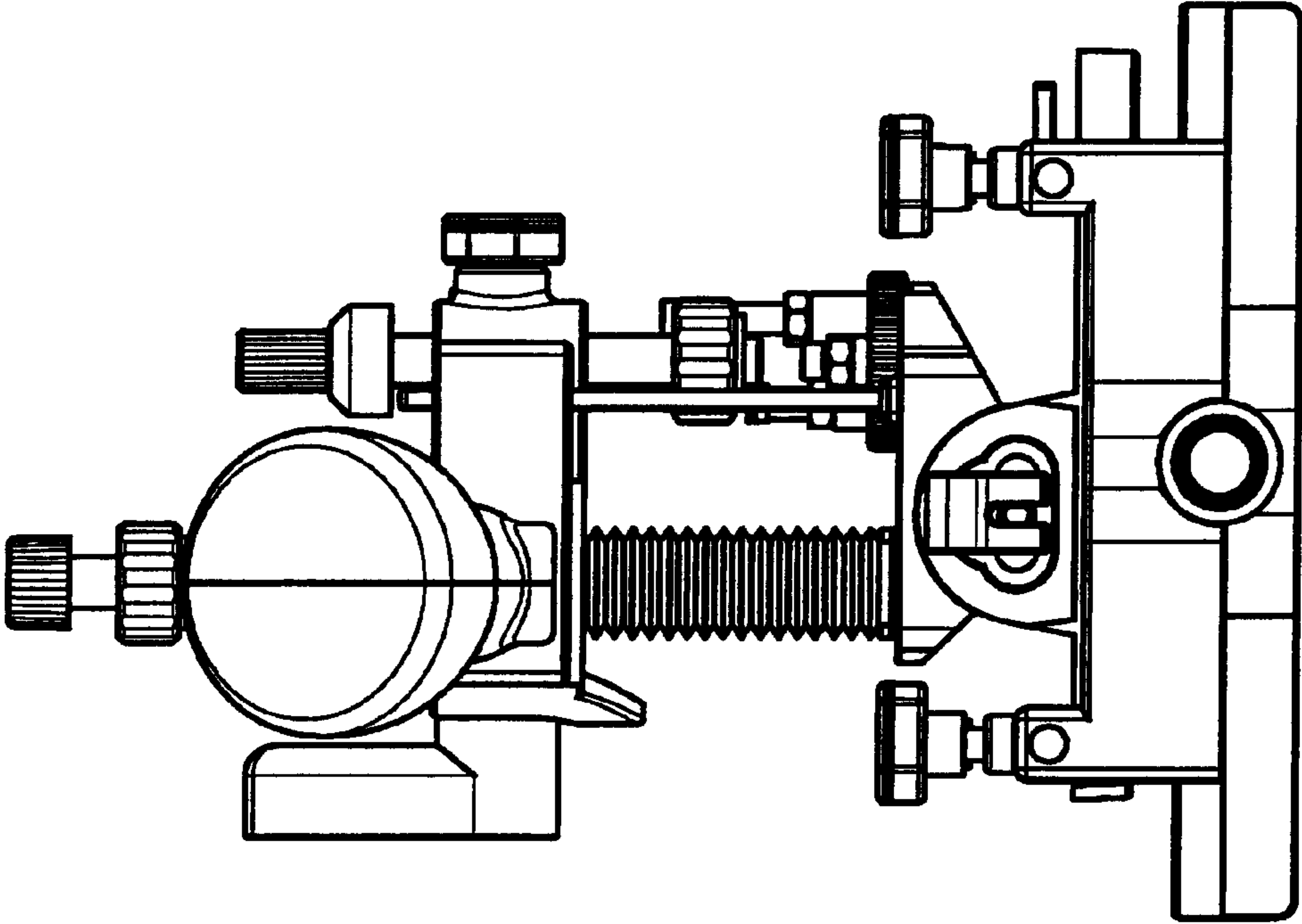


Figure 5

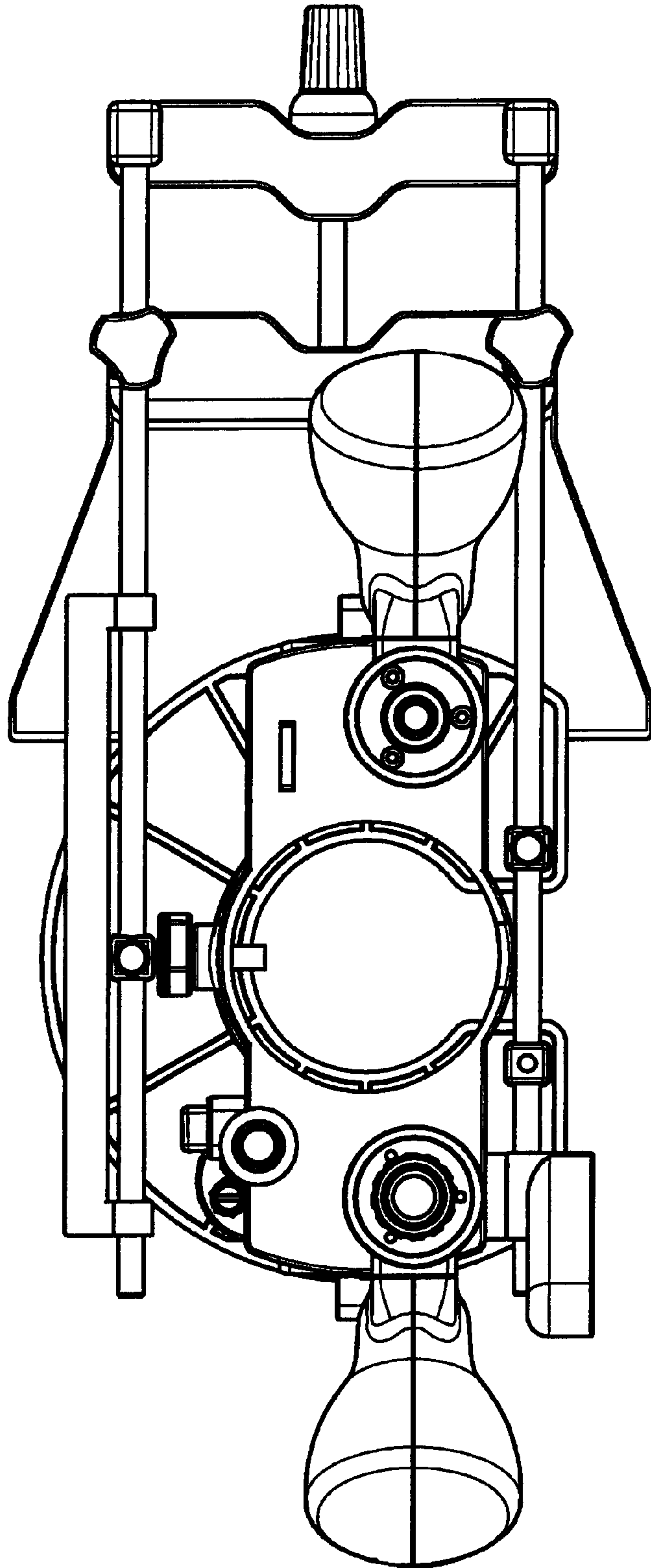


Figure 6

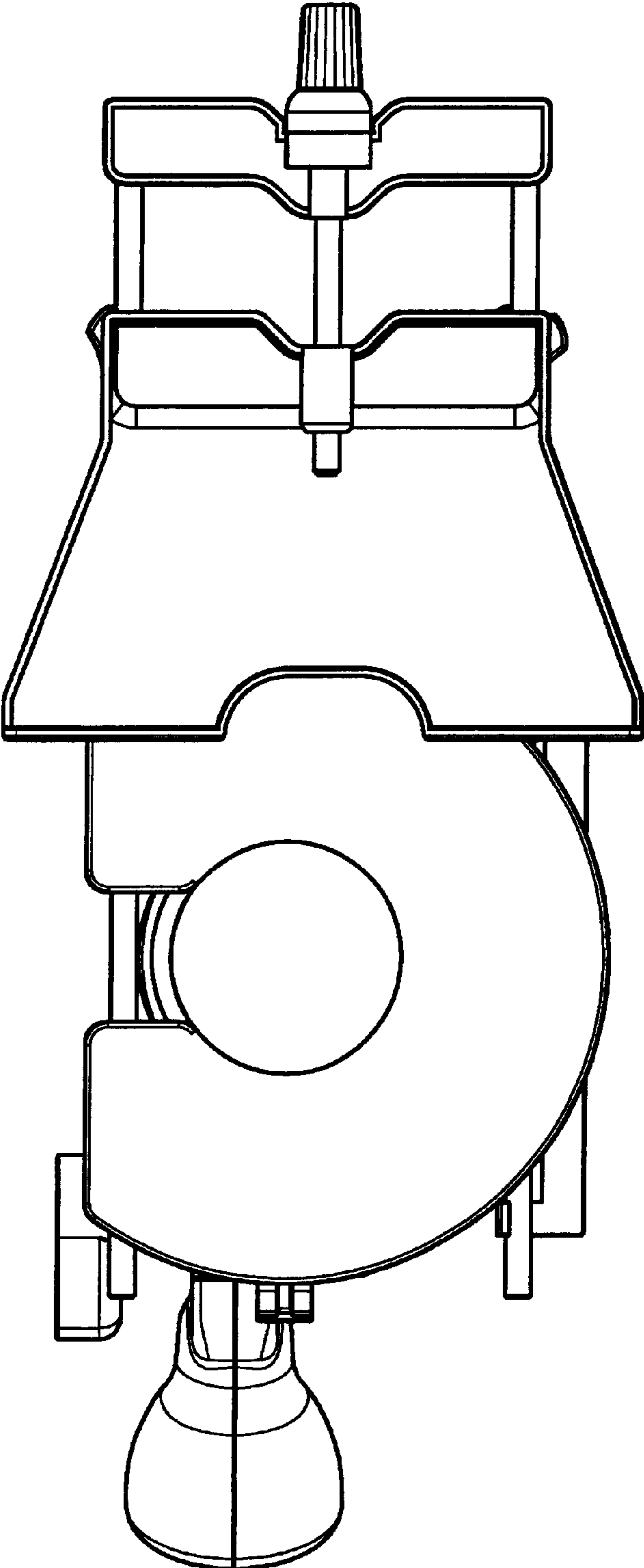


Figure 7