



US00D522337S

(12) **United States Design Patent**
Junkers

(10) **Patent No.:** **US D522,337 S**

(45) **Date of Patent:** **** Jun. 6, 2006**

- (54) **HAND HELD POWER TOOL**
- (75) Inventor: **Jason Junkers**, Park Ridge, NJ (US)
- (73) Assignee: **Jetyd Corp.**, Mahwah, NJ (US)
- (**) Term: **14 Years**
- (21) Appl. No.: **29/236,329**
- (22) Filed: **Aug. 15, 2005**
- (51) **LOC (8) Cl.** **08-05**
- (52) **U.S. Cl.** **D8/68**
- (58) **Field of Classification Search** D8/14.1,
D8/61, 62, 63, 64, 65, 66, 67, 68, 69, 70;
81/57.11, 429, 464, 465, 466, 469, 489; 173/13,
173/169, 178, 213, 217, 114, 201, 211; 227/8,
227/114, 120, 130, 136, 142; 408/20, 124,
408/125, 234, 241 R; 451/358; 310/50
See application file for complete search history.

- D301,968 S * 7/1989 Kmetz D8/68
- 4,962,681 A * 10/1990 Yang 408/20
- D326,598 S * 6/1992 Sakamoto et al. D8/68
- 6,192,997 B1 * 2/2001 Tsai et al. 173/211
- D467,481 S * 12/2002 Watson D8/68
- D471,419 S * 3/2003 Chunn et al. D8/68
- D508,836 S * 8/2005 Schiller et al. D8/68
- 2004/0188119 A1 * 9/2004 Chen 173/217

* cited by examiner

Primary Examiner—Gary D. Watson

Assistant Examiner—T. Chase Nelson

(74) *Attorney, Agent, or Firm*—Michael J. Striker

(57) **CLAIM**

I claim the ornamental design for a hand held power tool, as shown and described.

DESCRIPTION

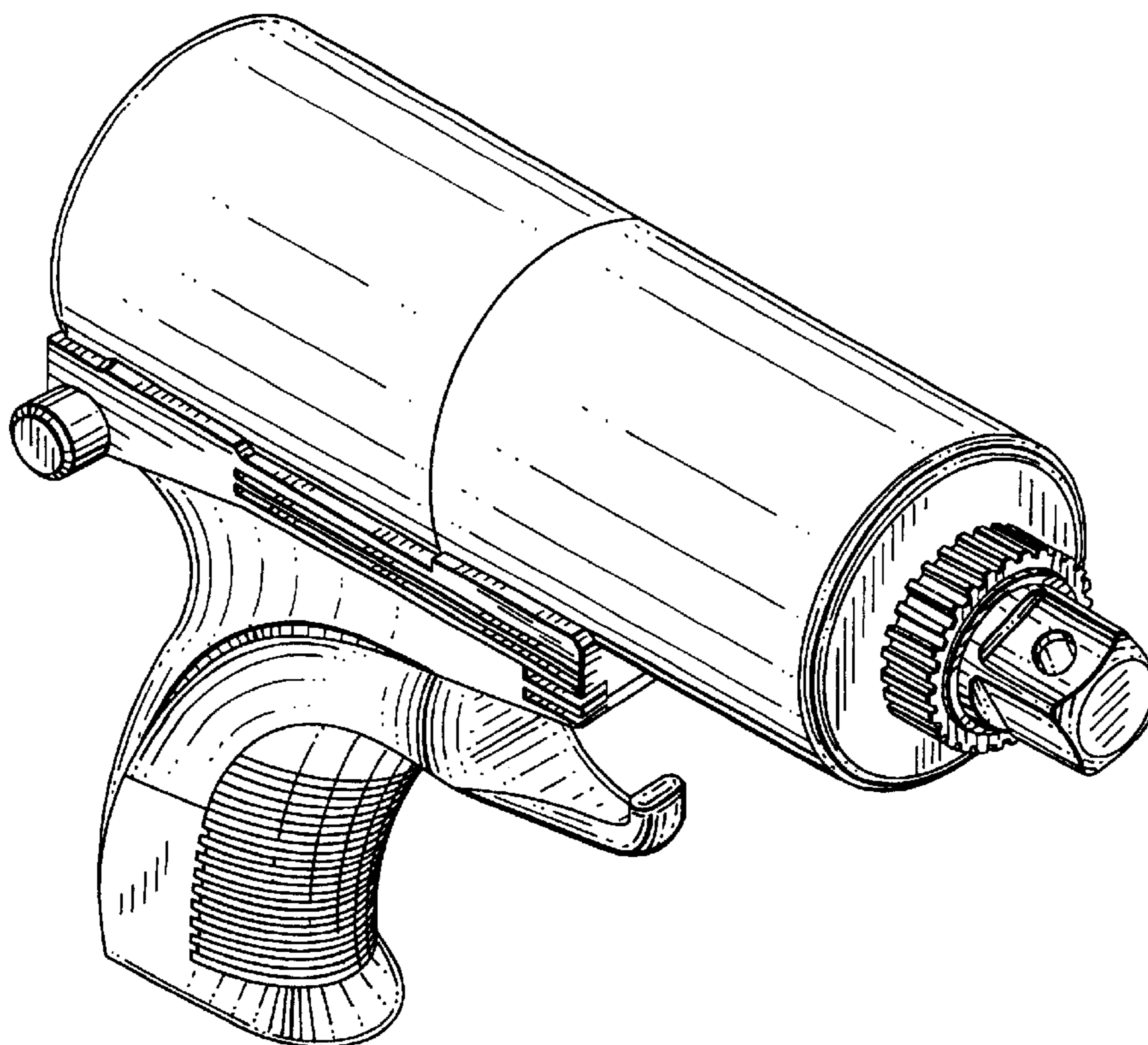
FIG. 1 is a front perspective view of a hand held power tool showing my new design;
 FIG. 2 is a top view thereof;
 FIG. 3 is a front view thereof;
 FIG. 4 is a side view thereof, which is a mirror image of the opposite side thereof;
 FIG. 5 is a rear view thereof;
 FIG. 6 is a bottom view thereof; and,
 FIG. 7 is a front perspective view of an alternate embodiment of my new design, showing the hand held power tool without the knob configuration.

(56) **References Cited**

U.S. PATENT DOCUMENTS

- 2,001,190 A * 5/1935 Ginter 173/169
- D222,229 S * 10/1971 Schaedler D8/68
- 4,330,093 A * 5/1982 Chapman, Jr. 173/169
- 4,613,000 A * 9/1986 Moore 81/429
- D289,968 S * 5/1987 Somers D8/68
- D292,169 S * 10/1987 House et al. D8/68
- 4,778,015 A * 10/1988 Jacobsson 173/169
- 4,790,696 A * 12/1988 Williams 408/241 R

1 Claim, 5 Drawing Sheets



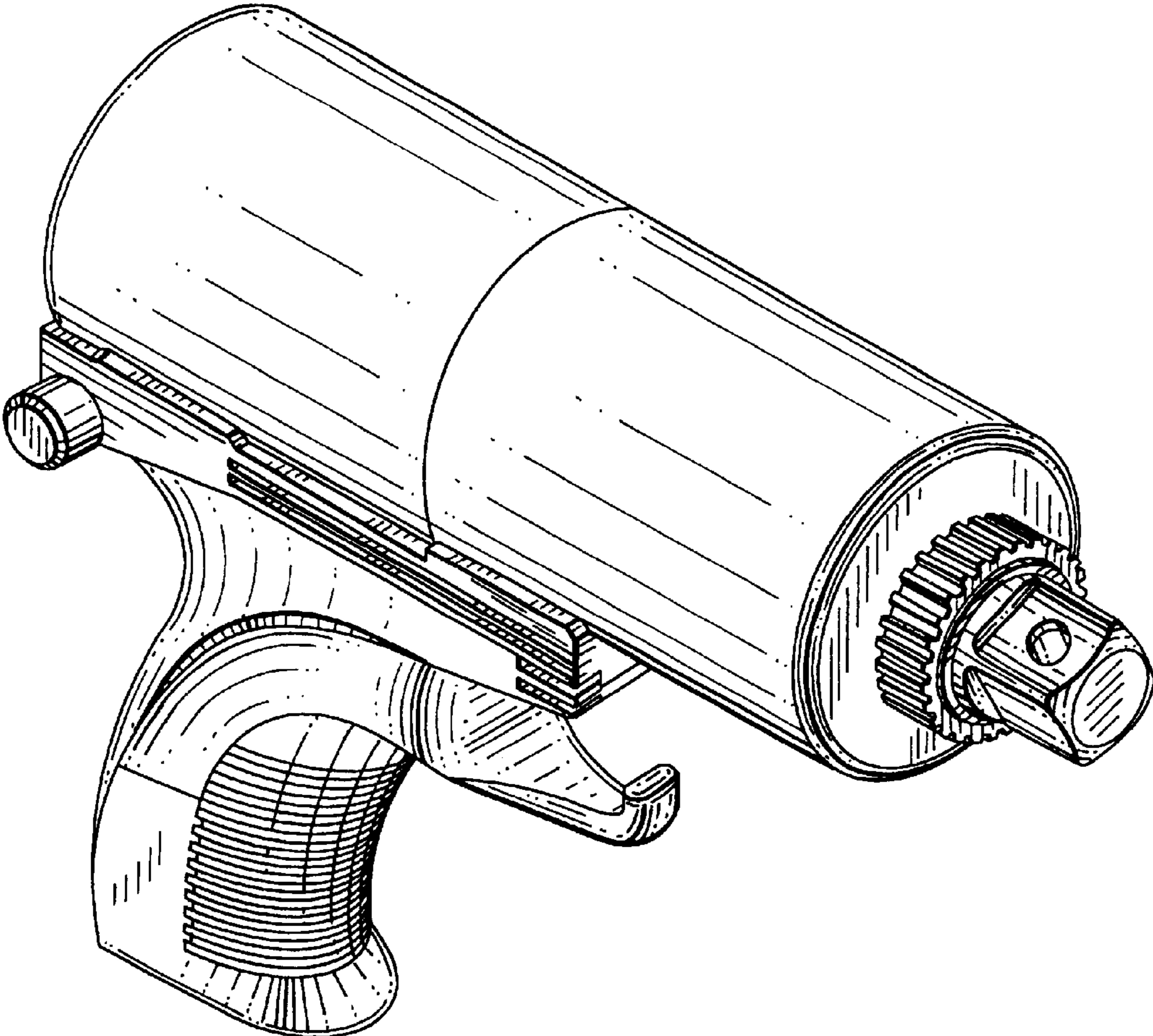


FIG. 1

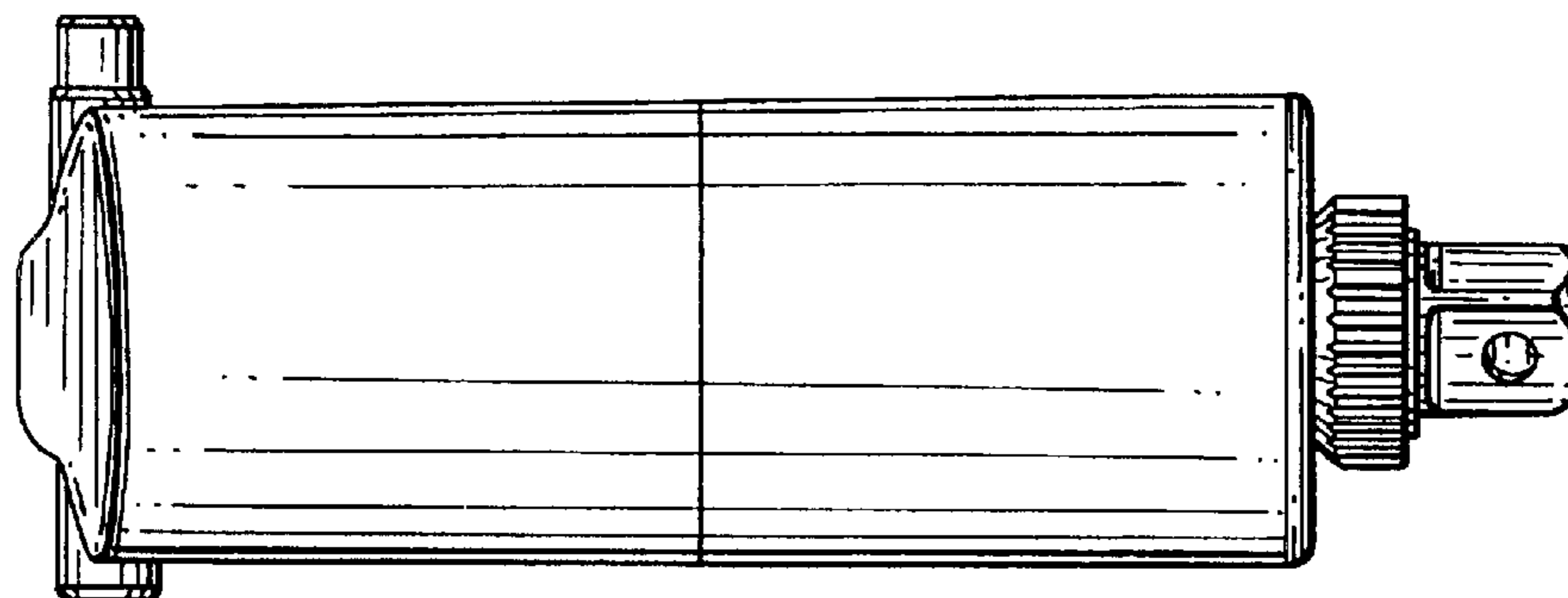


FIG. 2

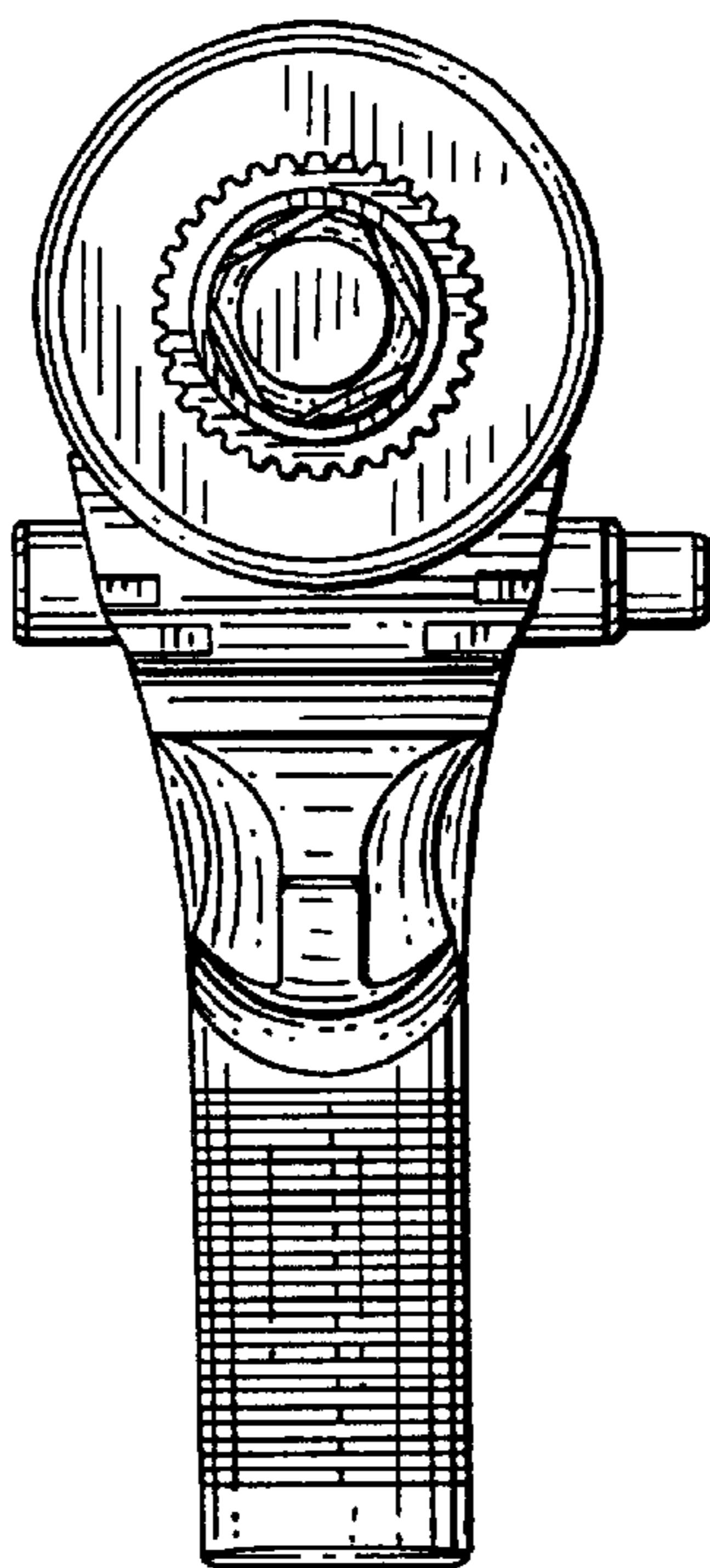


FIG. 3

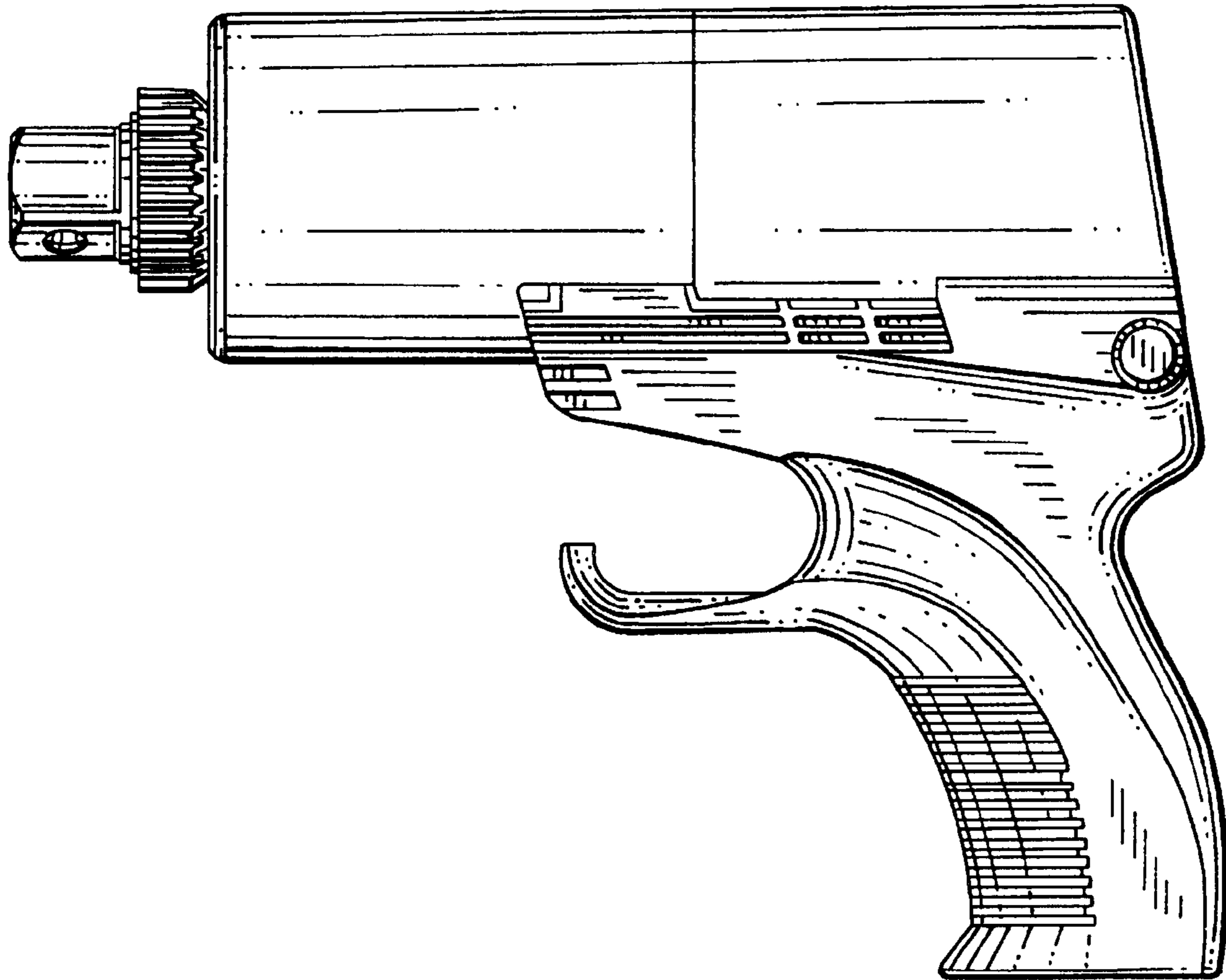


FIG. 4

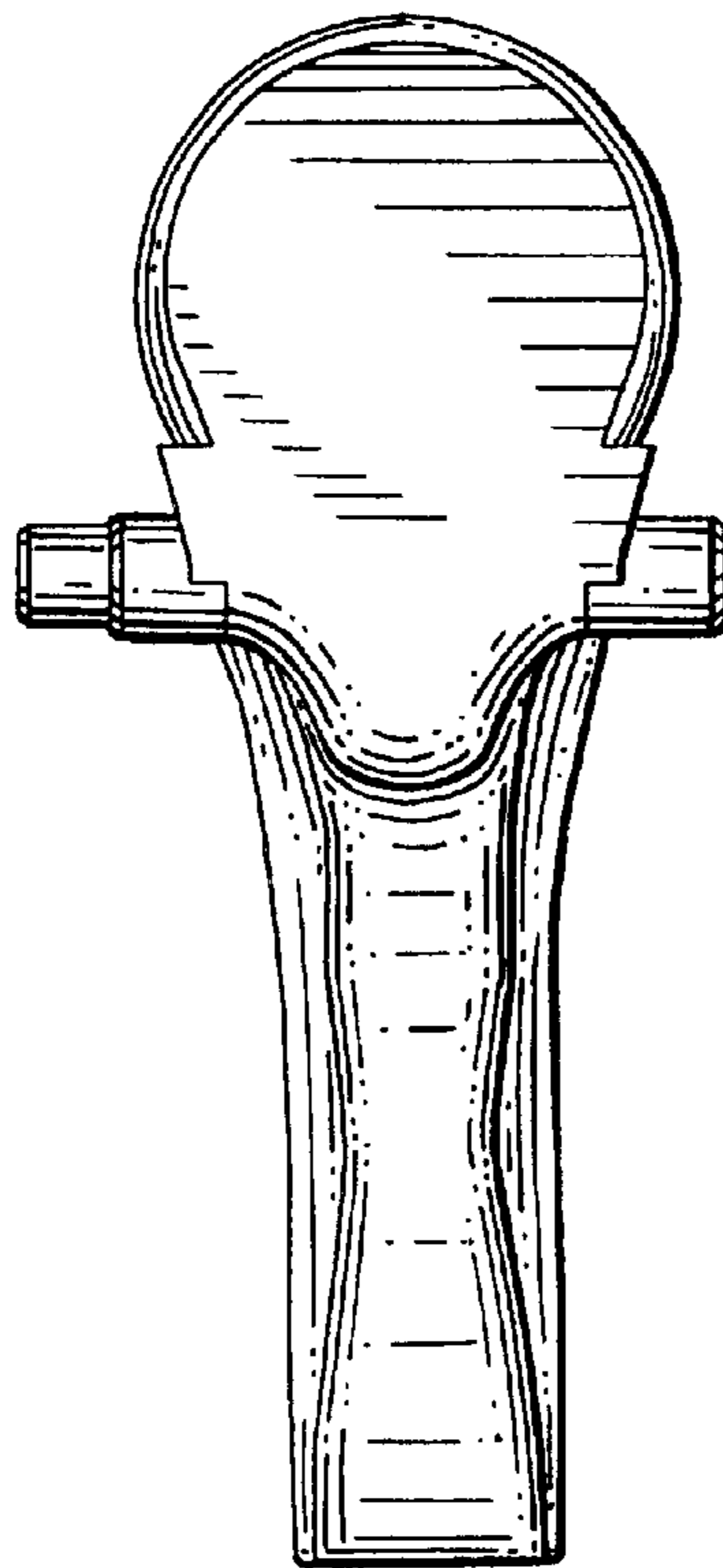


FIG. 5

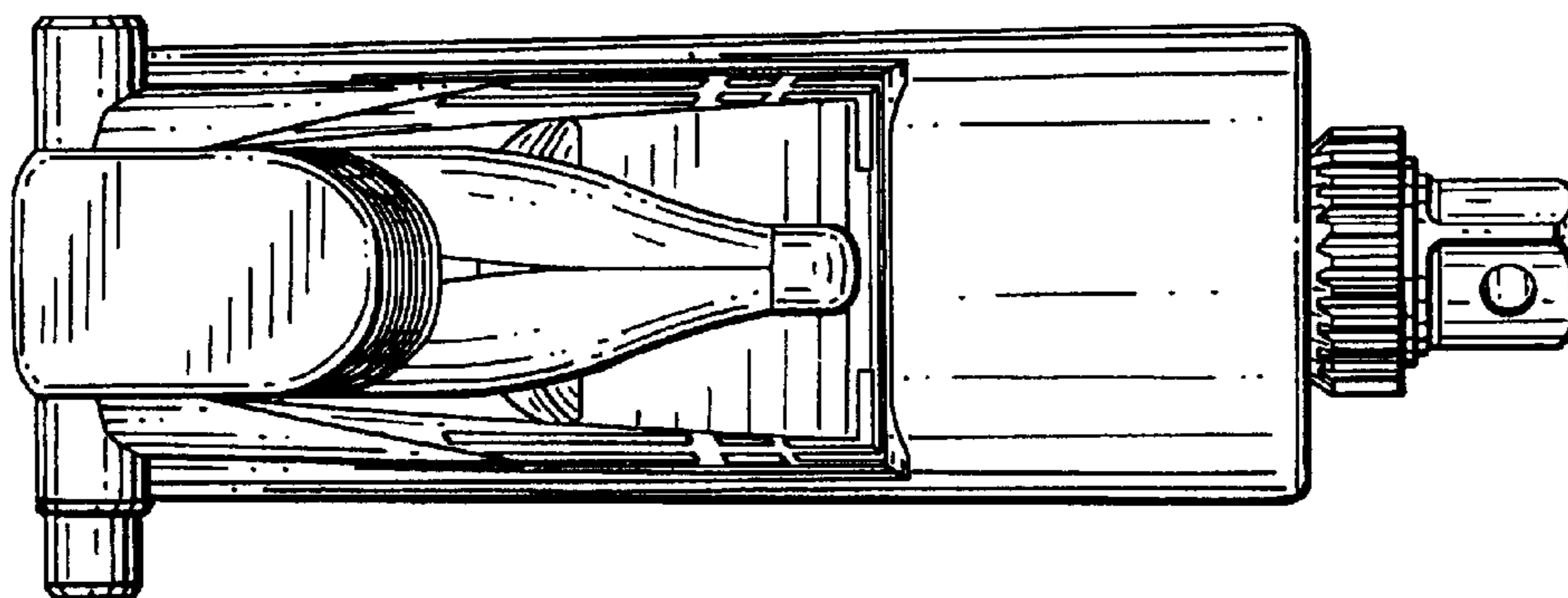


FIG. 6

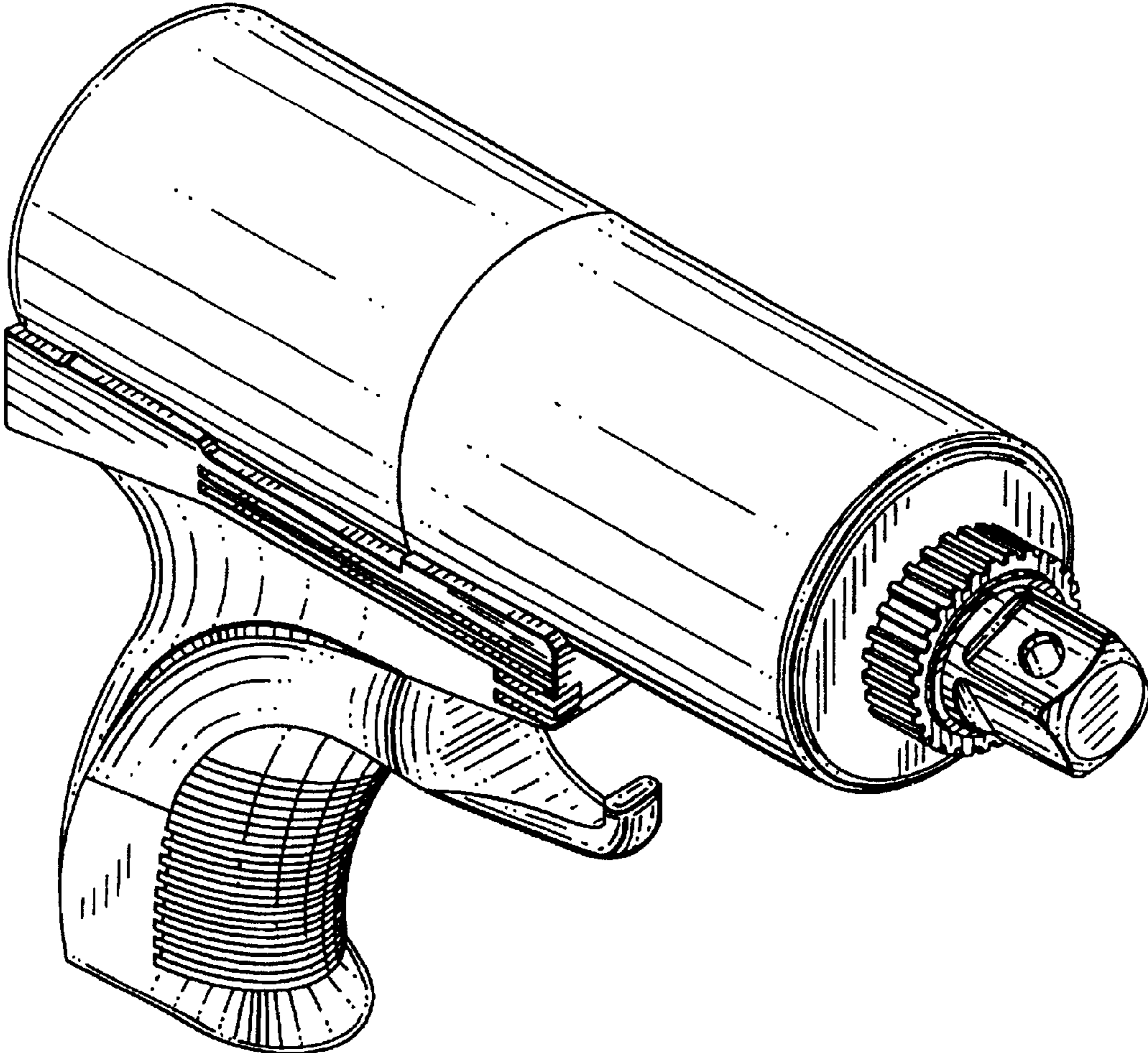


FIG. 7