



US00D522336S

(12) **United States Design Patent**
Waldron

(10) **Patent No.:** **US D522,336 S**

(45) **Date of Patent:** **** Jun. 6, 2006**

(54) **CIRCULAR LASER SAW**

(75) **Inventor:** **Michael Waldron**, County Durham
(GB)

(73) **Assignee:** **GMCA PTY Limited** (AU)

(**) **Term:** **14 Years**

(21) **Appl. No.:** **29/202,486**

(22) **Filed:** **Mar. 31, 2004**

(51) **LOC (8) Cl.** **08-03**

(52) **U.S. Cl.** **D8/66**

(58) **Field of Classification Search** D8/69,
D8/68, 67, 66, 64, 61, 70; 83/698.41, 747;
30/166.3, 374, 373, 375, 376, 391, 377, 390,
30/388, 389; 125/13.01; 144/218

See application file for complete search history.

(56) **References Cited**

U.S. PATENT DOCUMENTS

5,121,545	A	*	6/1992	Nonaka et al.	30/376
D329,363	S	*	9/1992	Sasaki et al.	D8/66
D334,523	S	*	4/1993	Hoshino et al.	D8/66
5,327,649	A	*	7/1994	Skinner	30/124
5,873,169	A	*	2/1999	James et al.	30/391
5,924,207	A	*	7/1999	Price et al.	30/376
6,167,626	B1	*	1/2001	Doumani et al.	30/124
D453,099	S	*	1/2002	Welsh	D8/66

D474,952	S	*	5/2003	Andriolo	D8/66
6,681,493	B1	*	1/2004	Mori et al.	30/376
D499,001	S	*	11/2004	Wu	D8/66
D501,776	S	*	2/2005	Wu	D8/66
D502,373	S	*	3/2005	Wu	D8/66
D503,878	S	*	4/2005	Tillman et al.	D8/66
6,951,057	B1	*	10/2005	Yoshida et al.	30/376
2003/0024128	A1	*	2/2003	Kani	30/376
2003/0024368	A1	*	2/2003	Fukuoka	83/698.41

* cited by examiner

Primary Examiner—Cathron C. Brooks

Assistant Examiner—Austin Murphy

(74) *Attorney, Agent, or Firm*—McKee, Voorhees & Sease,
P.L.C.

(57) **CLAIM**

I claim the ornamental design for a circular laser saw, or similar article substantially as shown.

DESCRIPTION

FIG. 1 is a perspective view of the circular laser saw.

FIG. 2 is a right side view of the circular laser saw.

FIG. 3 is a left side view of the circular laser saw.

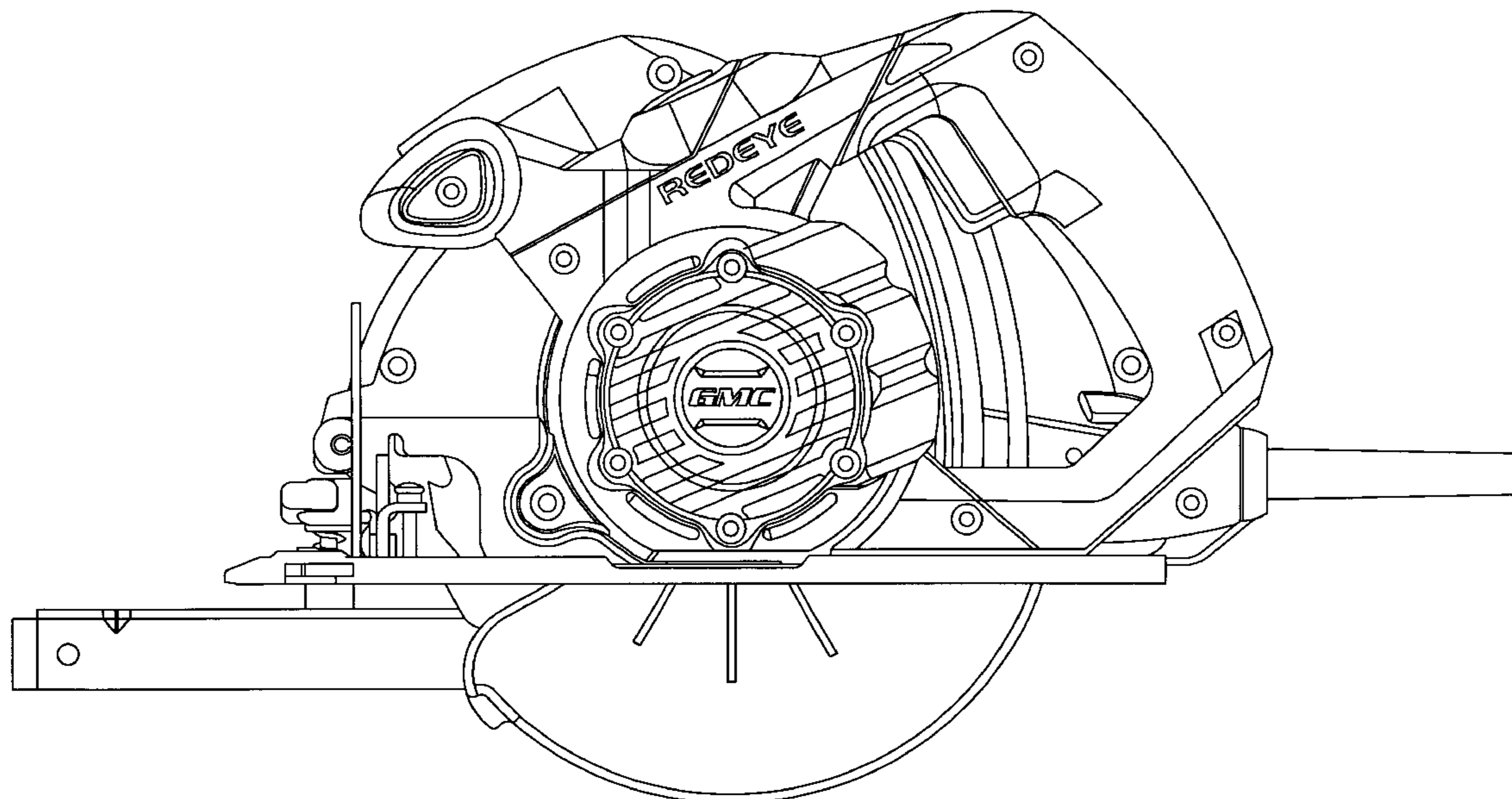
FIG. 4 is an elevational view of the circular laser saw.

FIG. 5 is an underneath view of the circular laser saw.

FIG. 6 is a front view of the circular laser saw; and,

FIG. 7 is a rear view of the circular laser saw.

1 Claim, 7 Drawing Sheets



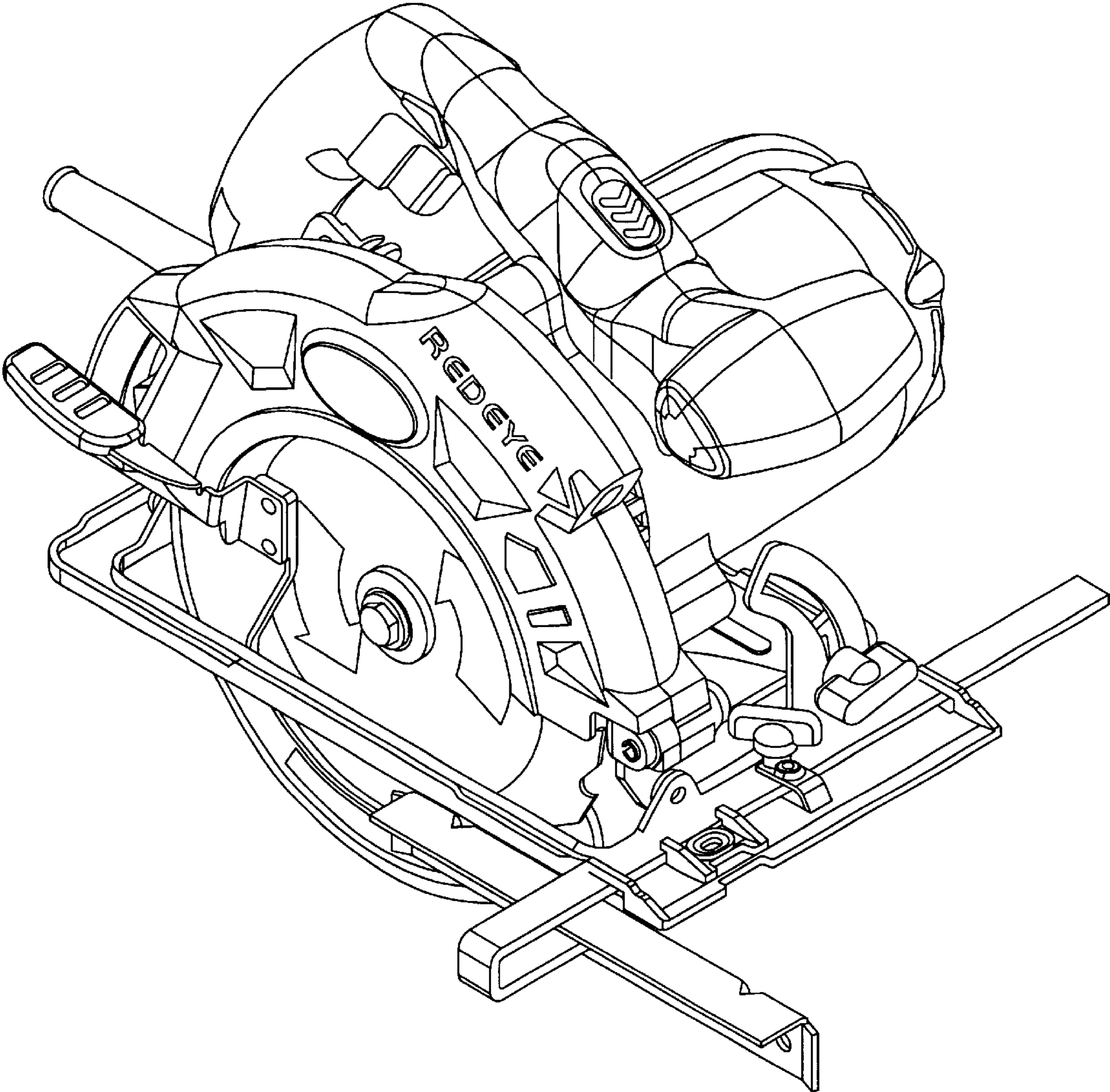


Fig. 1

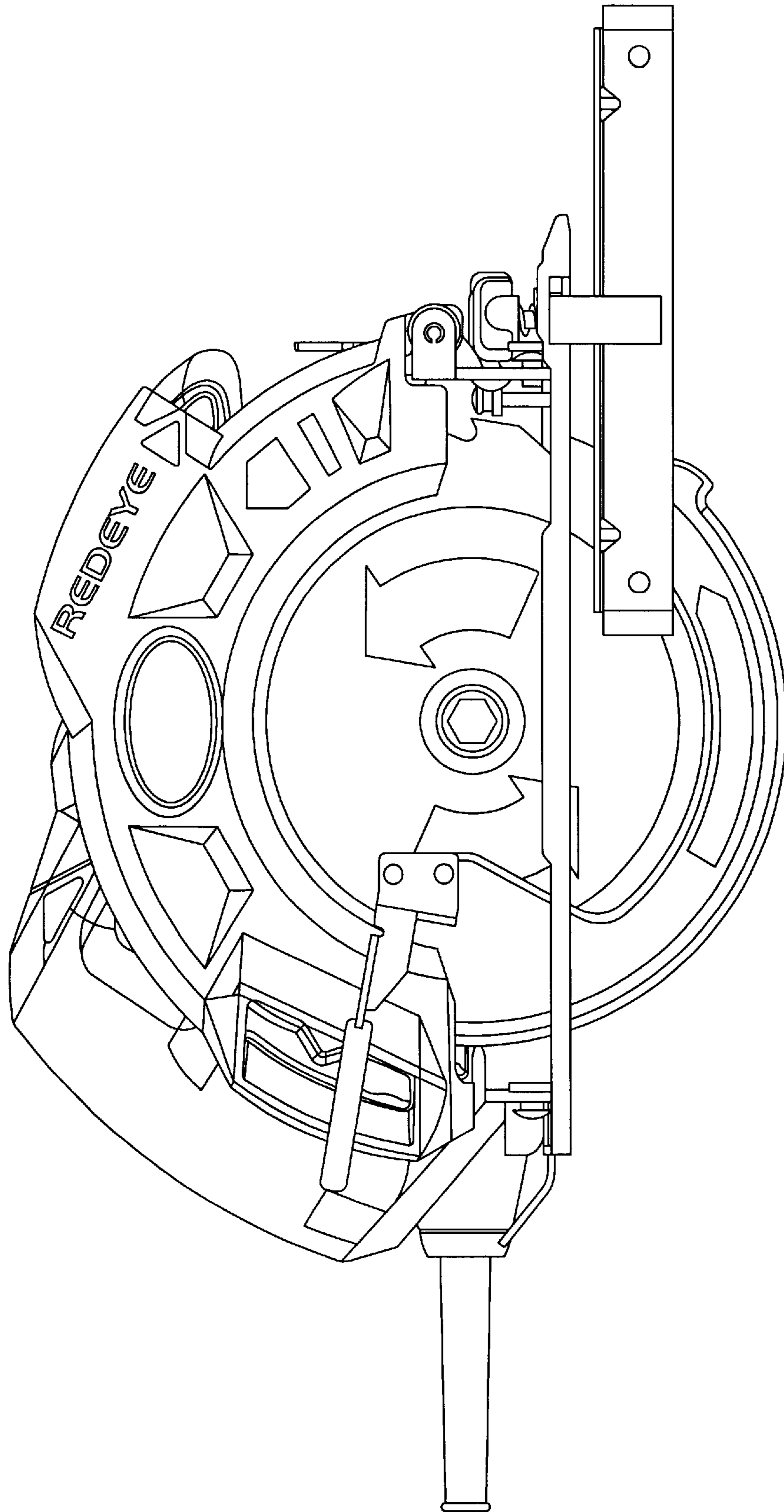


Fig. 2

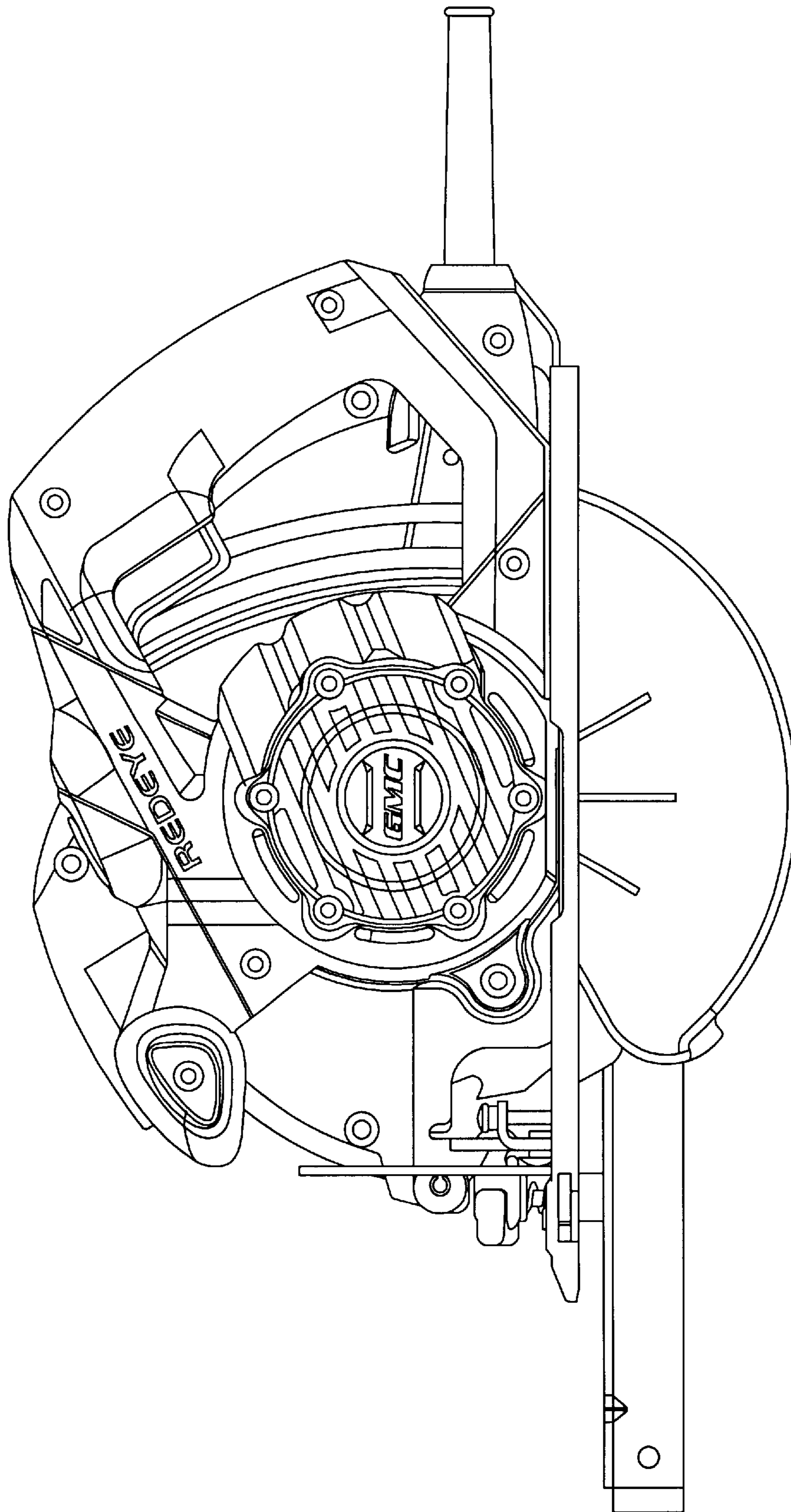


Fig. 3

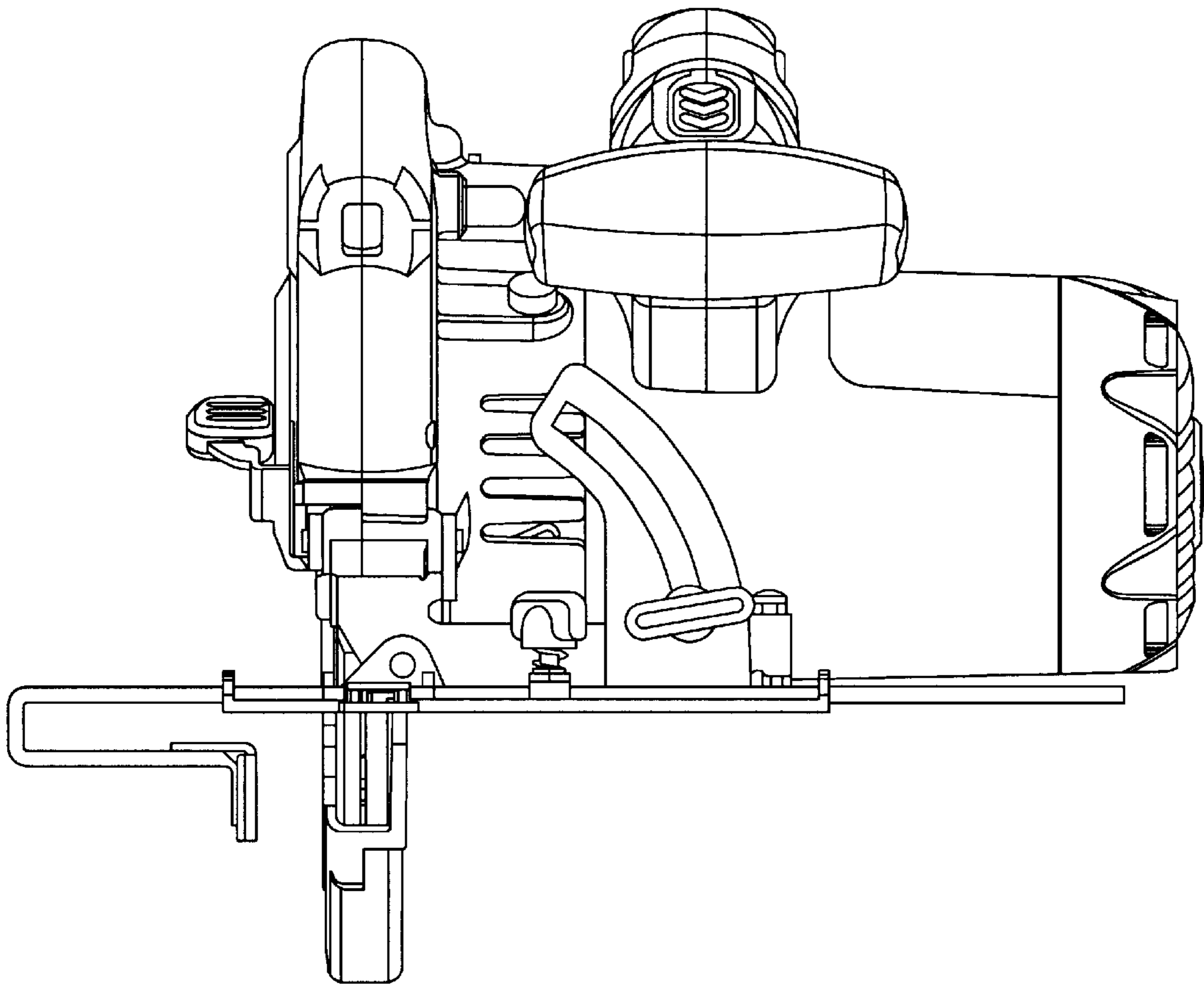


Fig. 4

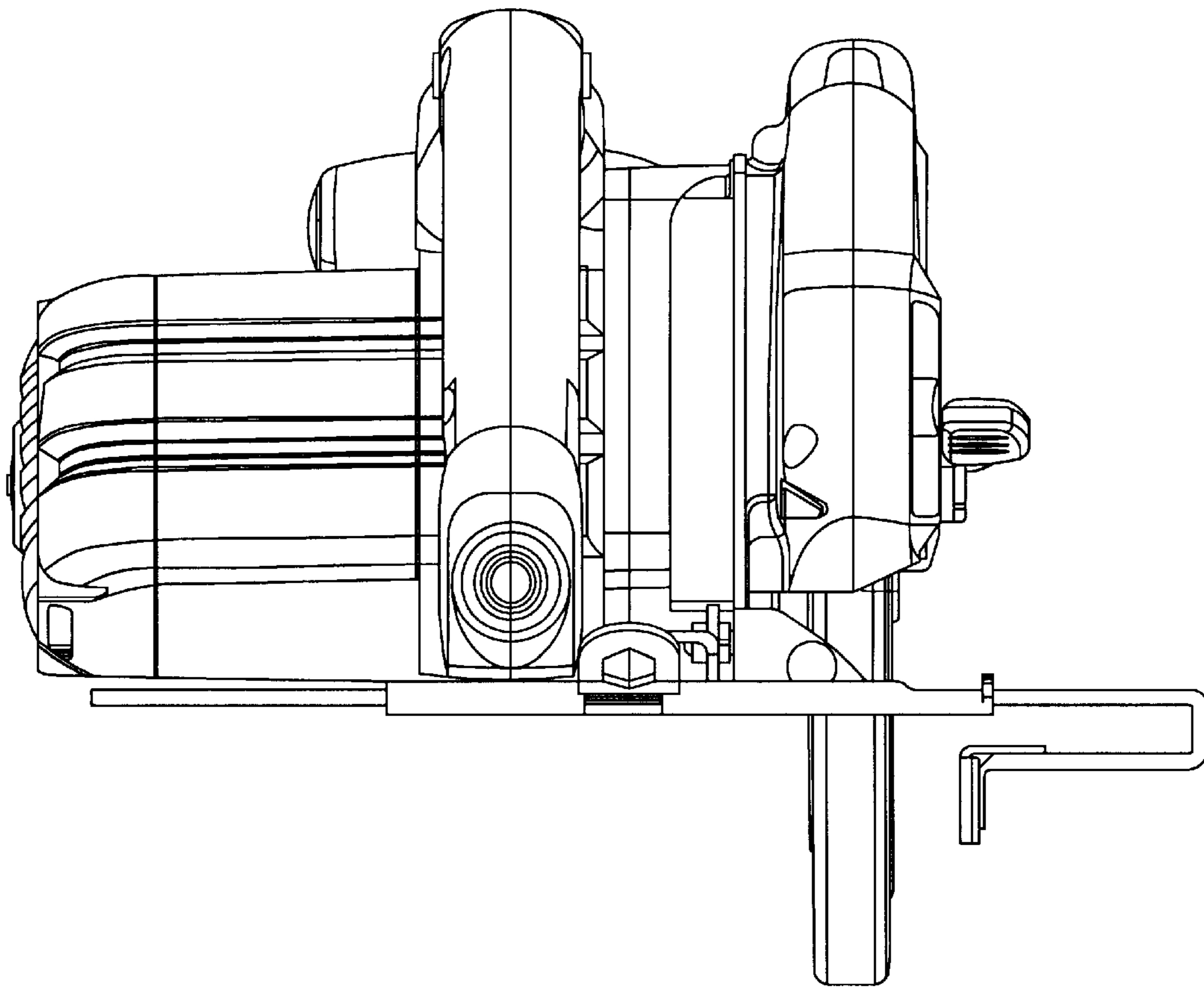


Fig. 5

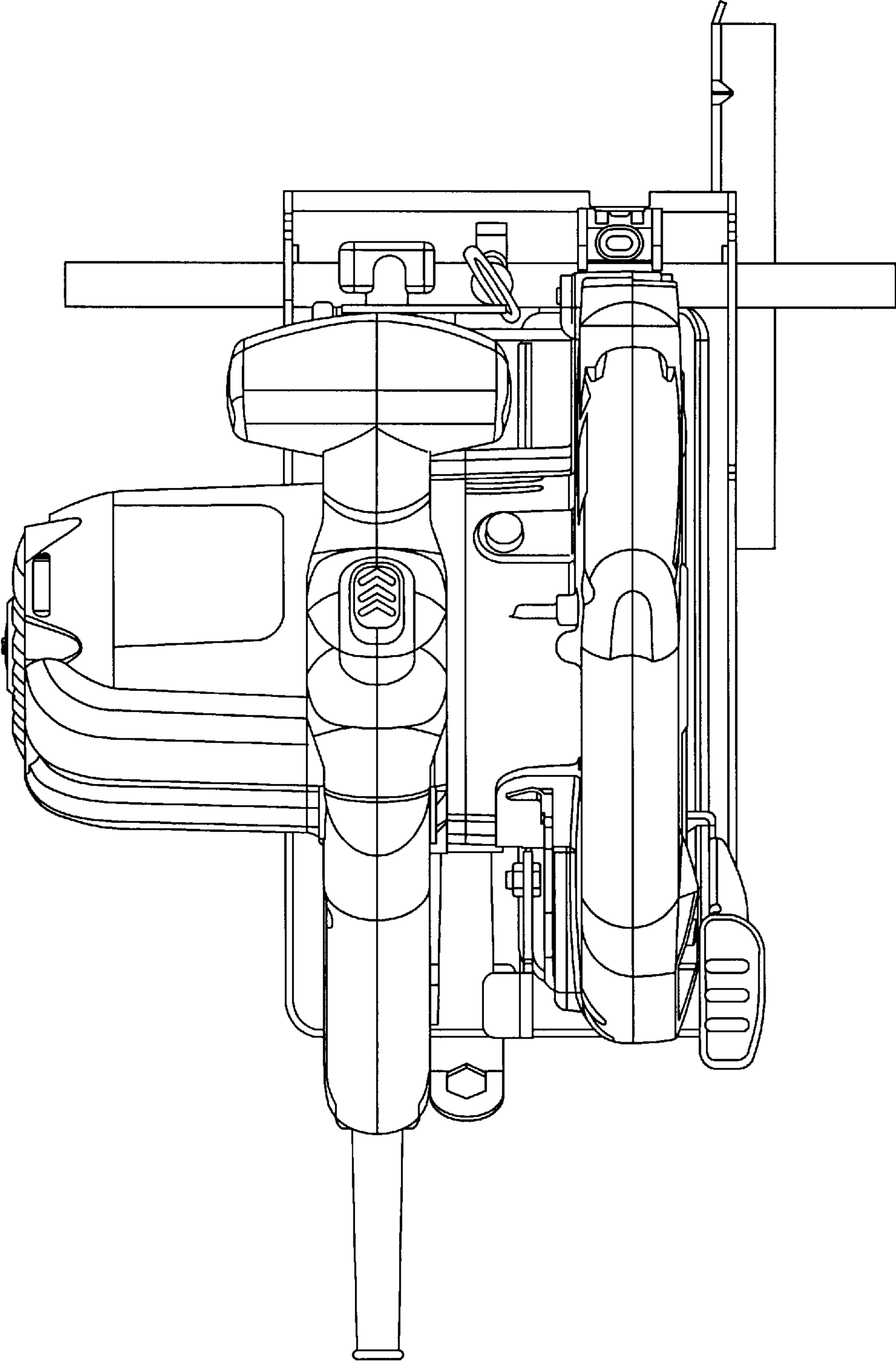


Fig. 6

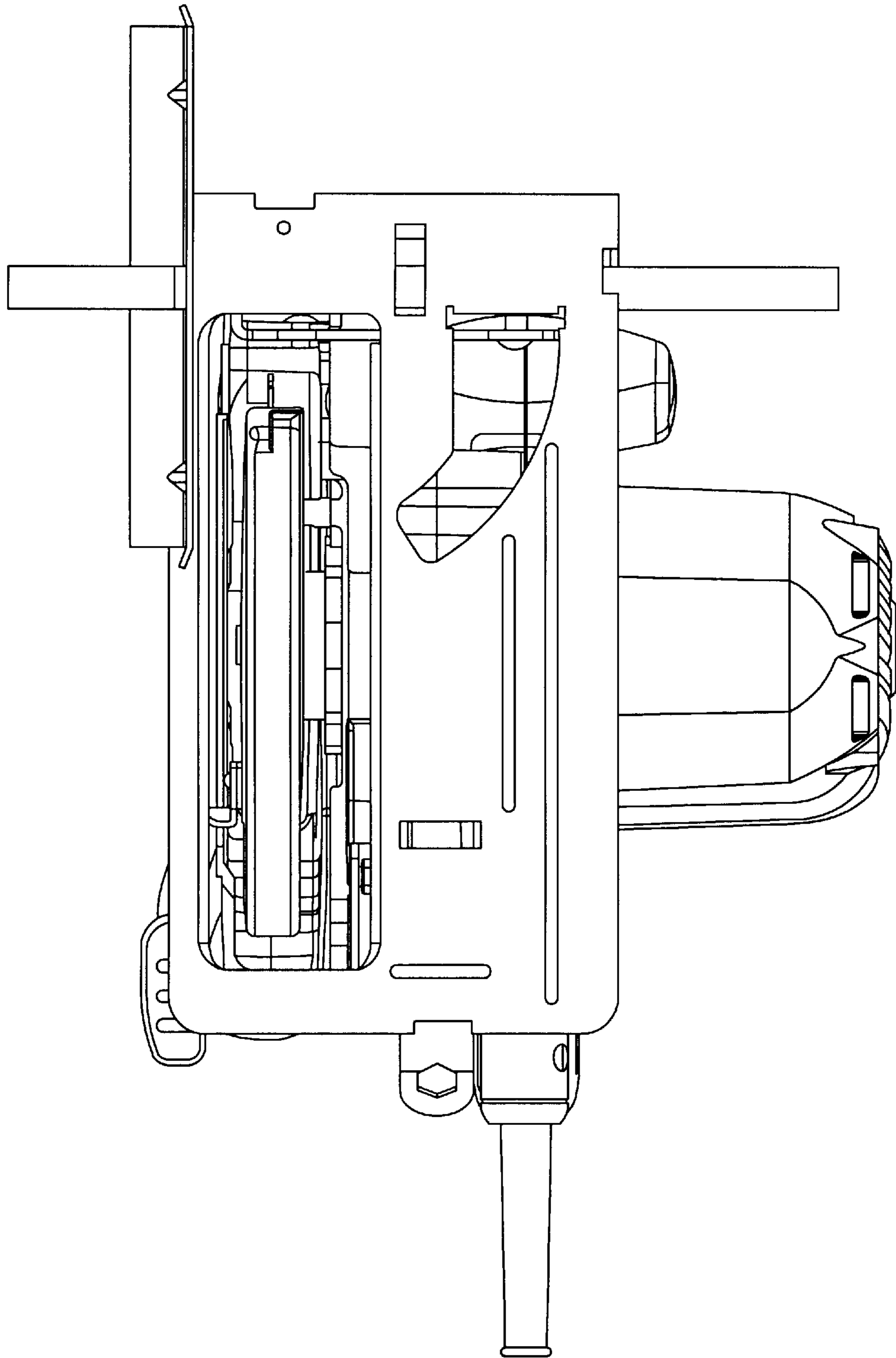


Fig. 7