

US00D522334S

(12) **United States Design Patent**  
**Waldron**

(10) **Patent No.:** **US D522,334 S**  
(45) **Date of Patent:** **\*\* Jun. 6, 2006**

(54) **ANGLE GRINDER POWER TOOL**

(75) Inventor: **Michael Waldron**, Chester le Street  
(GB)

(73) Assignee: **GMCA PTY Ltd.** (AU)

(\*\*) Term: **14 Years**

(21) Appl. No.: **29/222,583**

(22) Filed: **Feb. 1, 2005**

(30) **Foreign Application Priority Data**

Nov. 27, 2004 (EM) ..... 000262282

(51) **LOC (8) Cl.** ..... **08-01**

(52) **U.S. Cl.** ..... **D8/62**

(58) **Field of Classification Search** ..... D8/69,  
D8/67, 62, 61; 451/359, 358, 357, 356, 354,  
451/353, 351, 344, 294; 173/168  
See application file for complete search history.

(56) **References Cited**

**U.S. PATENT DOCUMENTS**

D107,275 S	*	11/1937	Albertson	.....	D8/62
D255,417 S	*	6/1980	Sakamoto et al.	.....	D8/62
D295,824 S	*	5/1988	Hoshino et al.	.....	D8/62
D396,175 S	*	7/1998	Chung	.....	D8/62
6,132,301 A	*	10/2000	Kaiser	.....	451/450

6,241,594 B1	*	6/2001	Lepold	.....	451/359
D453,288 S	*	2/2002	Lui	.....	D8/62
D475,263 S	*	6/2003	Andriolo	.....	D8/62
D491,033 S	*	6/2004	Bian	.....	D8/62
D494,827 S	*	8/2004	Liu	.....	D8/62
D498,653 S	*	11/2004	Wu	.....	D8/62
6,872,121 B1	*	3/2005	Wiesner et al.	.....	451/5
6,893,334 B1	*	5/2005	Stivers	.....	451/359

\* cited by examiner

*Primary Examiner*—Cathron C. Brooks

*Assistant Examiner*—Austin Murphy

(74) *Attorney, Agent, or Firm*—McKee, Voorhees & Sease,  
P.L.C.

(57) **CLAIM**

I claim the ornamental design for a angle grinder power tool,  
substantially as shown.

**DESCRIPTION**

FIG. 1 is a perspective view of the angle grinder power tool.  
FIG. 2 is an opposite perspective view of the angle grinder  
power tool.

FIG. 3 is a side view of the angle grinder power tool.

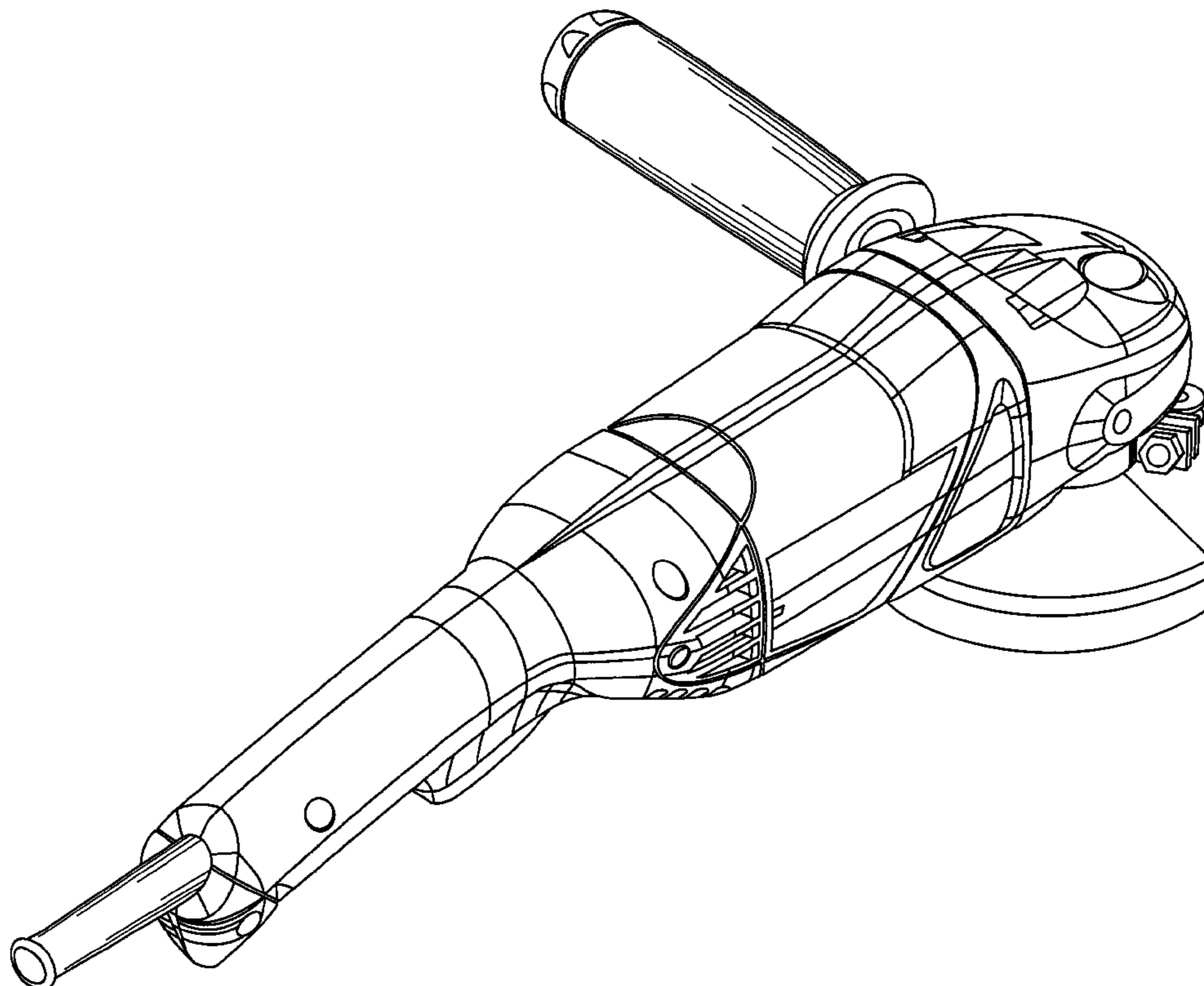
FIG. 4 is top view of the angle grinder power tool.

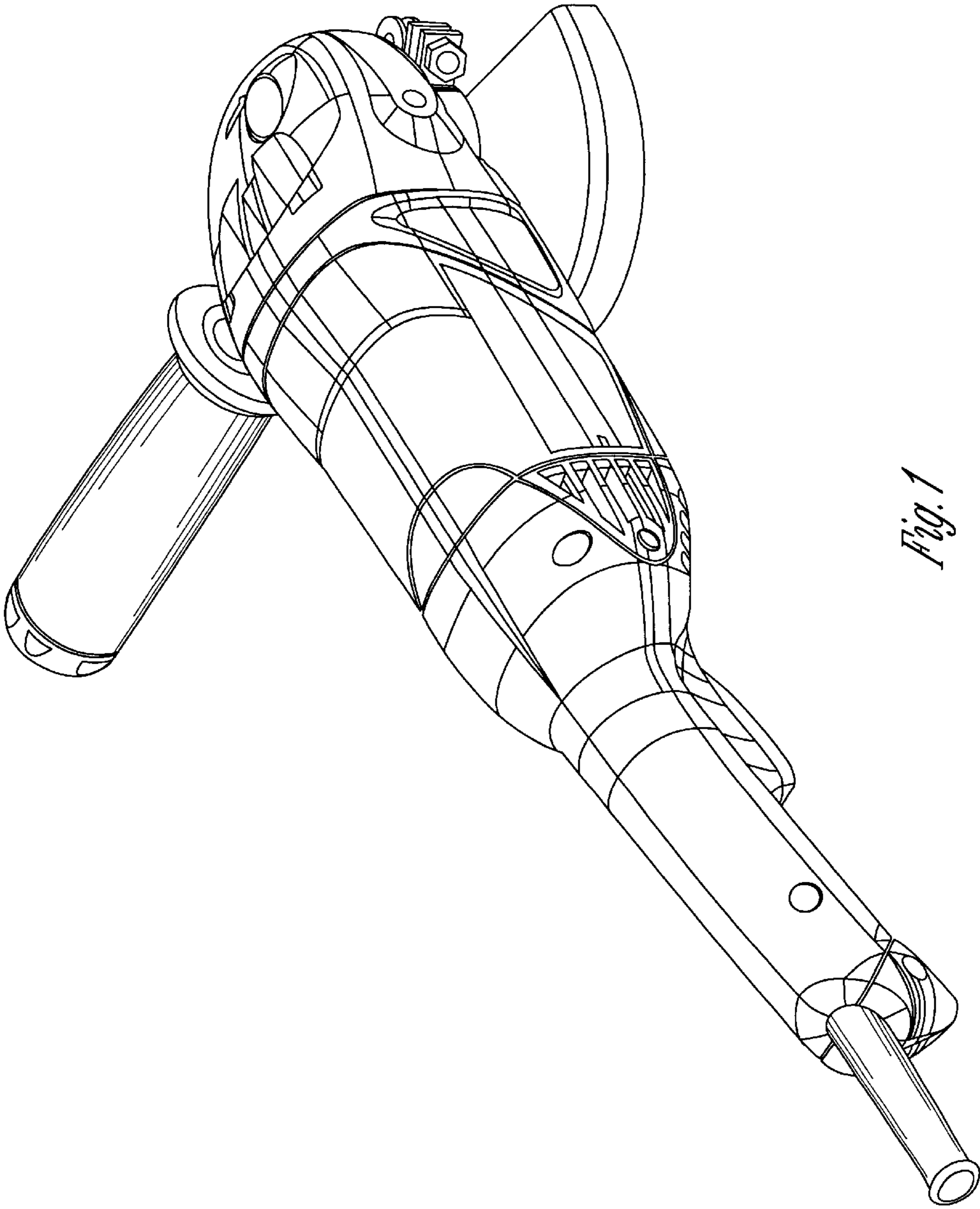
FIG. 5 is a bottom view of the angle grinder power tool.

FIG. 6 is a front view of the angle grinder power tool; and,

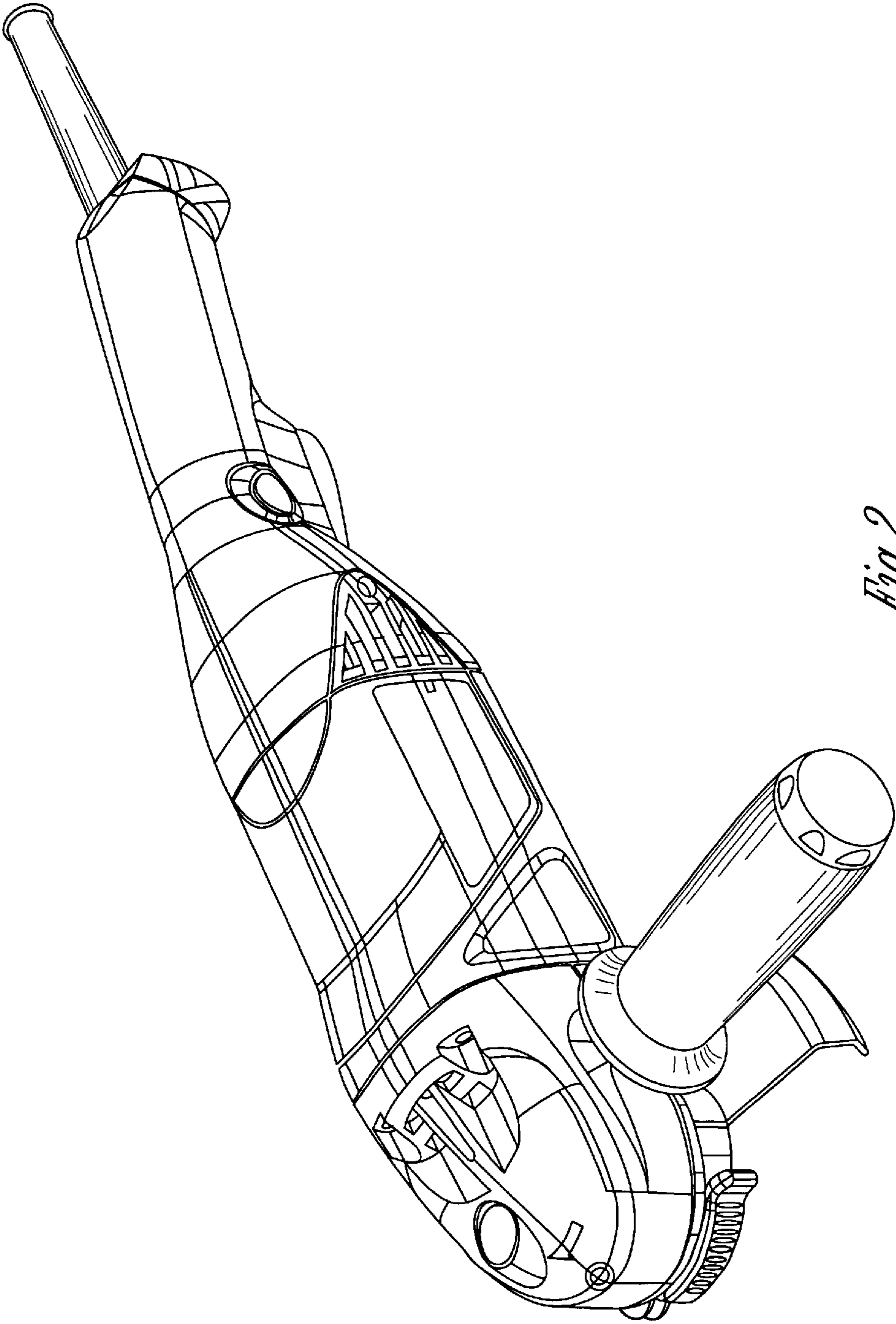
FIG. 7 is a rear view of the angle grinder power tool.

**1 Claim, 6 Drawing Sheets**

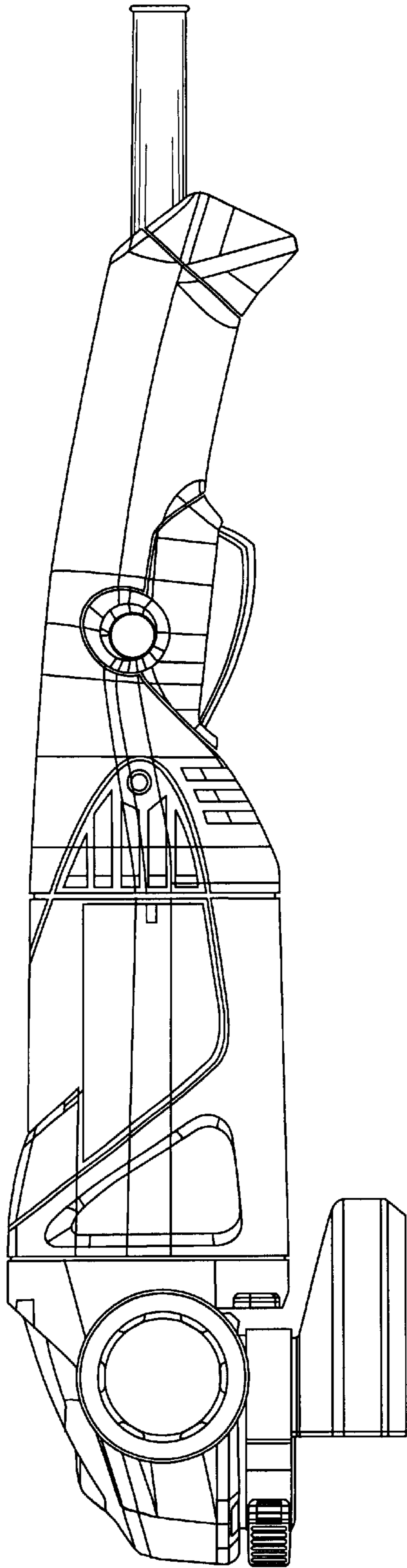




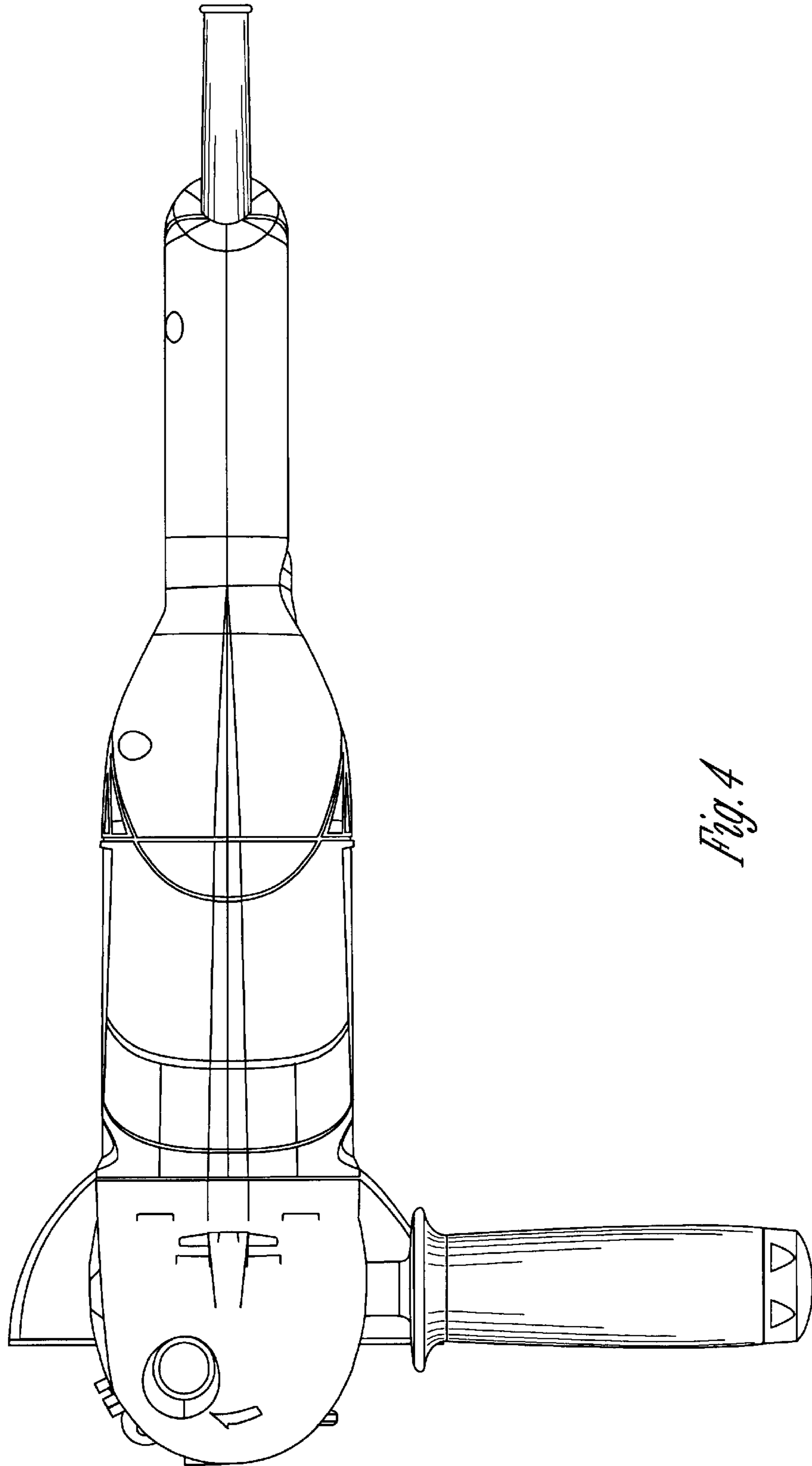
*Fig. 1*



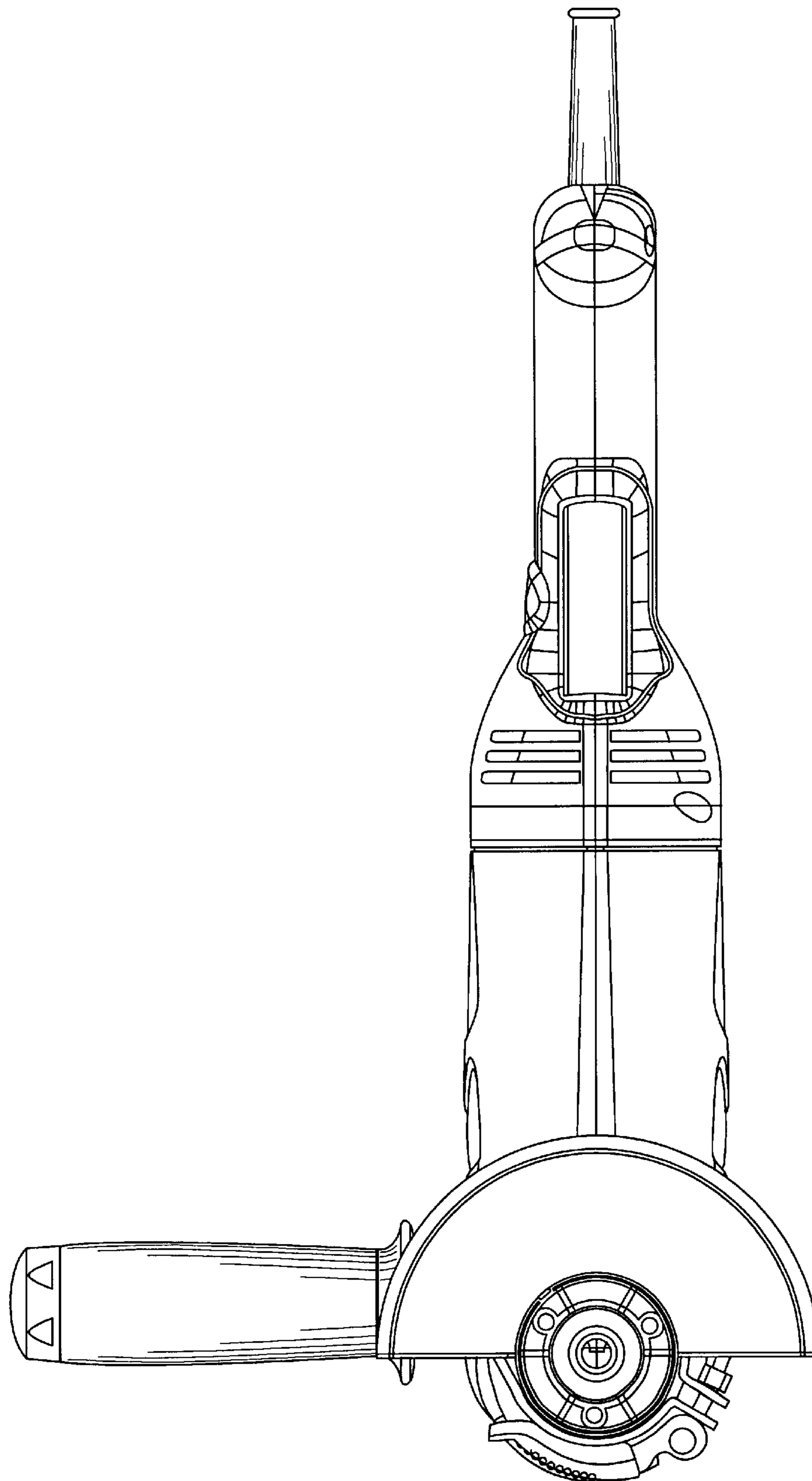
*Fig. 2*



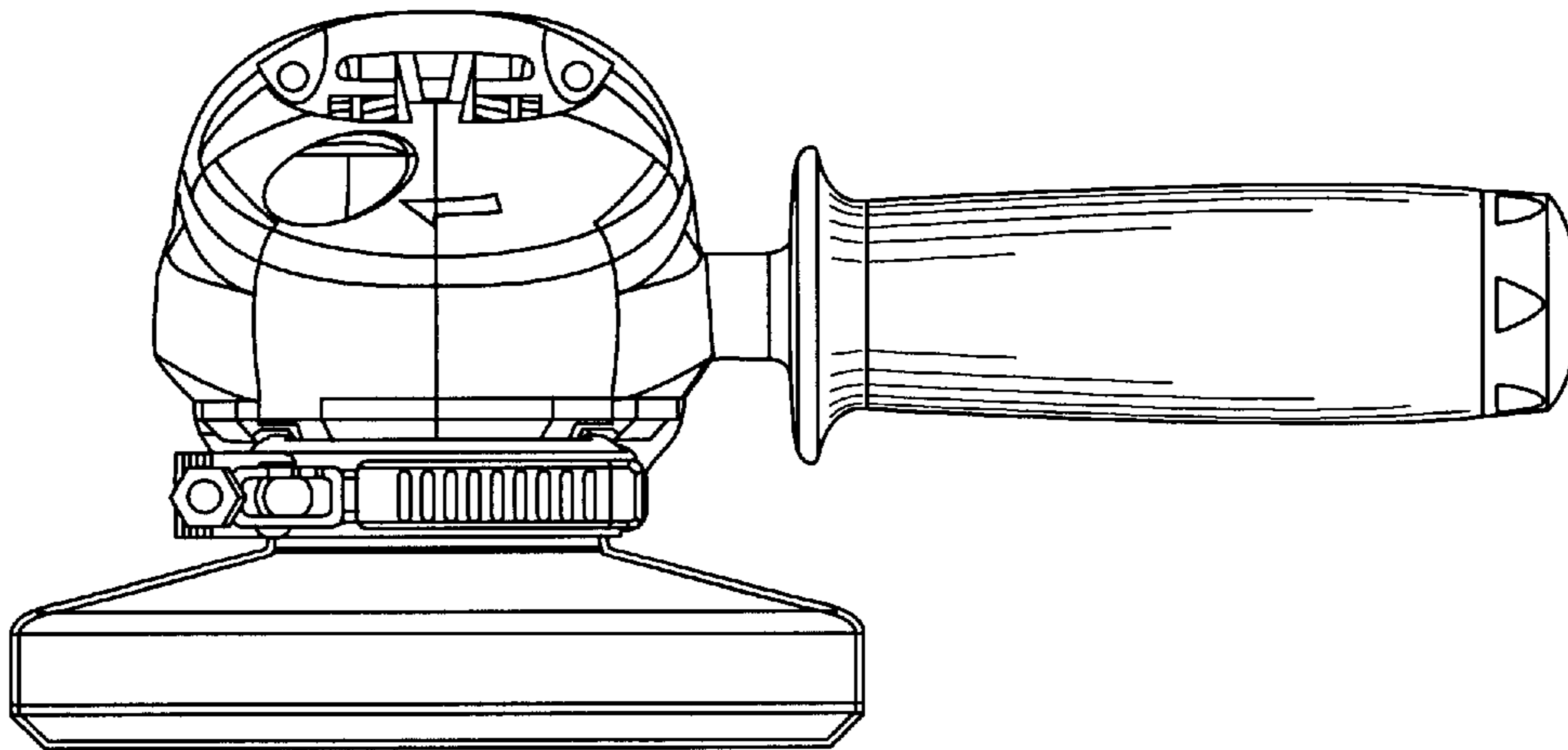
*Fig. 3*



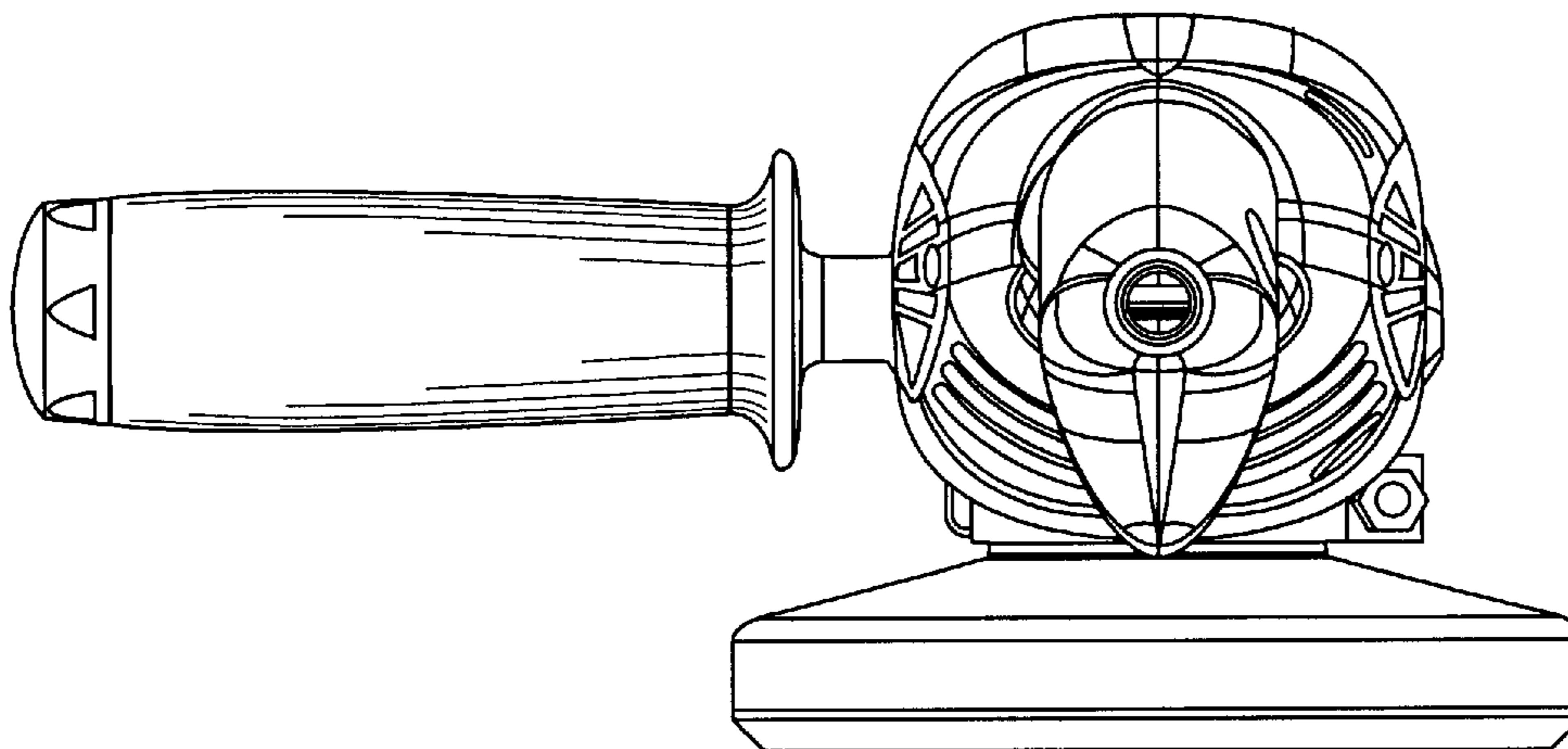
*Fig. 4*



*Fig. 5*



*Fig. 6*



*Fig. 7*