



US00D522333S

(12) **United States Design Patent**
Chen

(10) **Patent No.:** **US D522,333 S**

(45) **Date of Patent:** **** Jun. 6, 2006**

(54) **PNEUMATIC TOOL**

D479,969 S * 9/2003 Robson et al. D8/62
D511,285 S * 11/2005 Henssler et al. D8/62

(75) Inventor: **Lung-Pao Chen**, Zhubei (TW)

* cited by examiner

(73) Assignee: **Sunmatch Industrial Co., Ltd.**, Zhubei (TW)

Primary Examiner—Cathron C. Brooks

Assistant Examiner—Austin Murphy

(**) Term: **14 Years**

(74) *Attorney, Agent, or Firm*—Birch Stewart Kolasch & Birch LLP

(21) Appl. No.: **29/220,614**

(57) **CLAIM**

(22) Filed: **Jan. 5, 2005**

The ornamental design for “pneumatic tool,” as shown and described.

(51) **LOC (8) Cl.** **08-01**

(52) **U.S. Cl.** **D8/62**

(58) **Field of Classification Search** D8/69,
D8/67, 62, 61; 451/359, 358, 357, 356, 354,
451/353, 351, 344, 294; 173/168

See application file for complete search history.

DESCRIPTION

FIG. 1 is a perspective view of “pneumatic tool” showing my new design thereof;

FIG. 2 is a right side elevational view thereof;

FIG. 3 is a top plan view thereof;

FIG. 4 is a front side elevational view thereof;

FIG. 5 is a bottom plan view thereof.;

FIG. 6 is a left side elevational view thereof; and,

FIG. 7 is a rear side elevational view thereof.

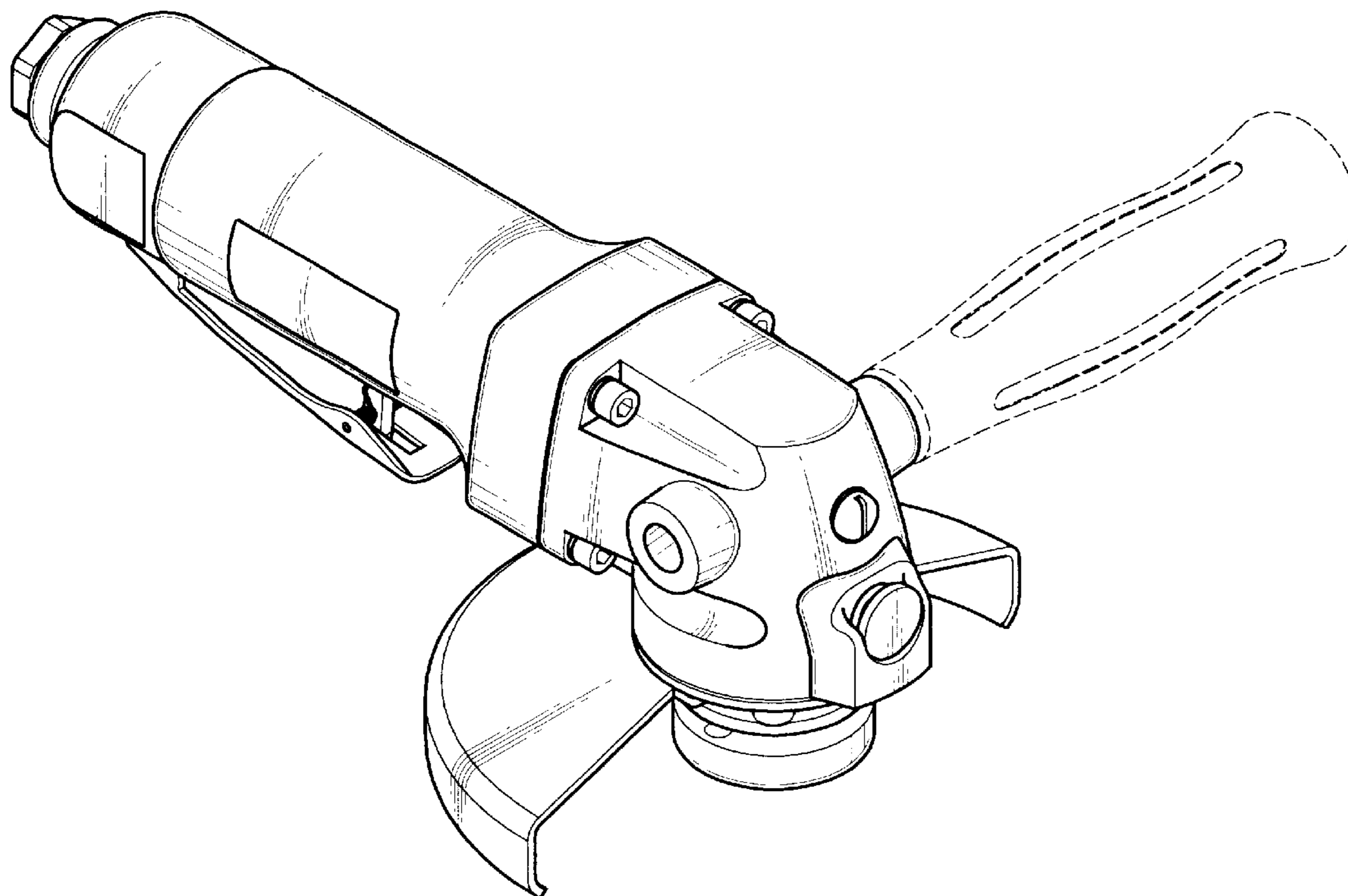
The broken lines shown in the drawings form no part of the claimed design.

(56) **References Cited**

U.S. PATENT DOCUMENTS

| | | | | | |
|------------|---|---------|------------|-------|-------|
| D332,560 S | * | 1/1993 | Mikiya | | D8/62 |
| D351,772 S | * | 10/1994 | Price | | D8/62 |
| D378,183 S | * | 2/1997 | Dognini | | D8/62 |
| D411,424 S | * | 6/1999 | Saito | | D8/62 |
| D437,199 S | * | 2/2001 | Robson | | D8/62 |
| D447,029 S | * | 8/2001 | Sun et al. | | D8/61 |

1 Claim, 5 Drawing Sheets



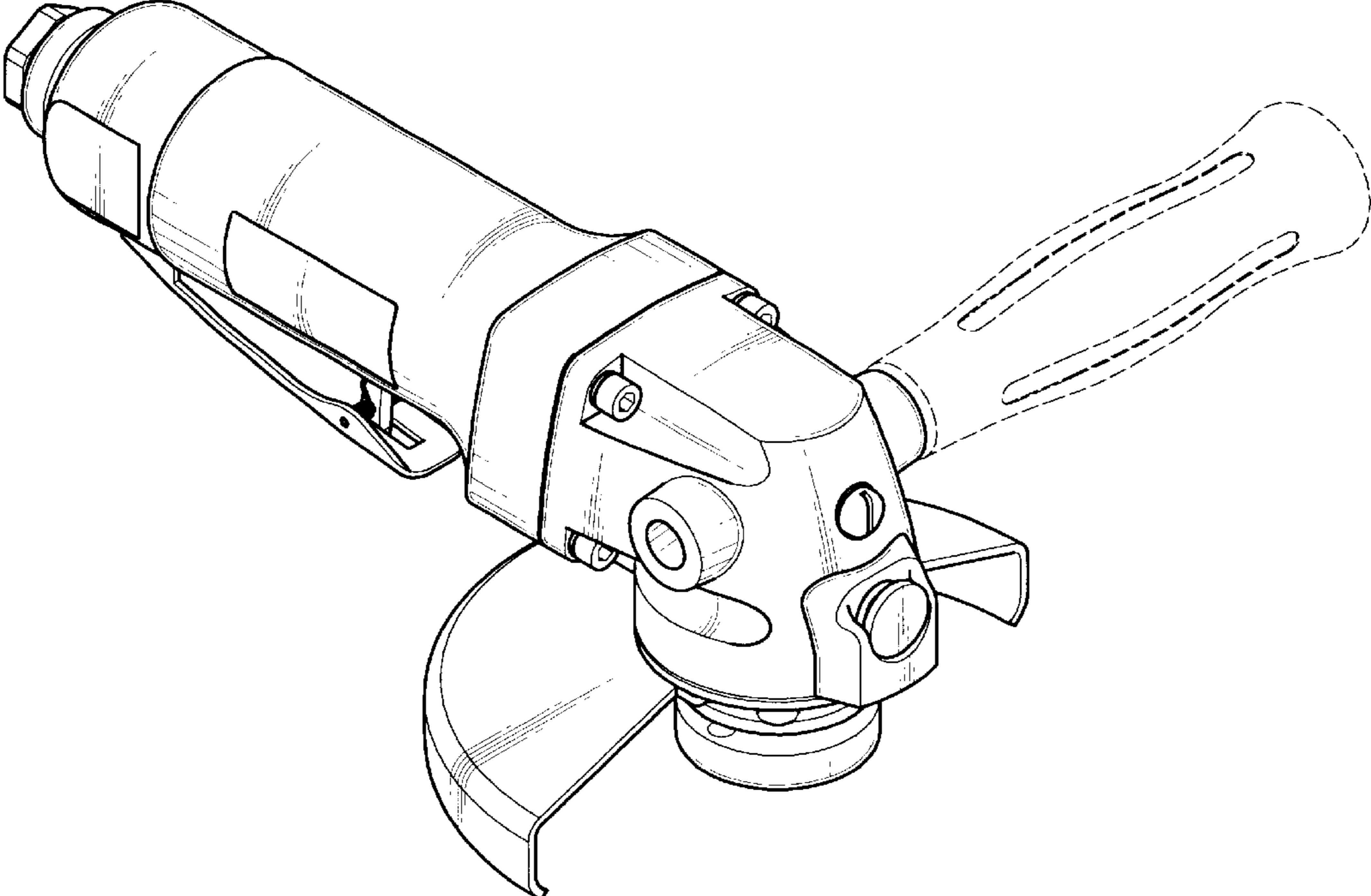


Fig. 1

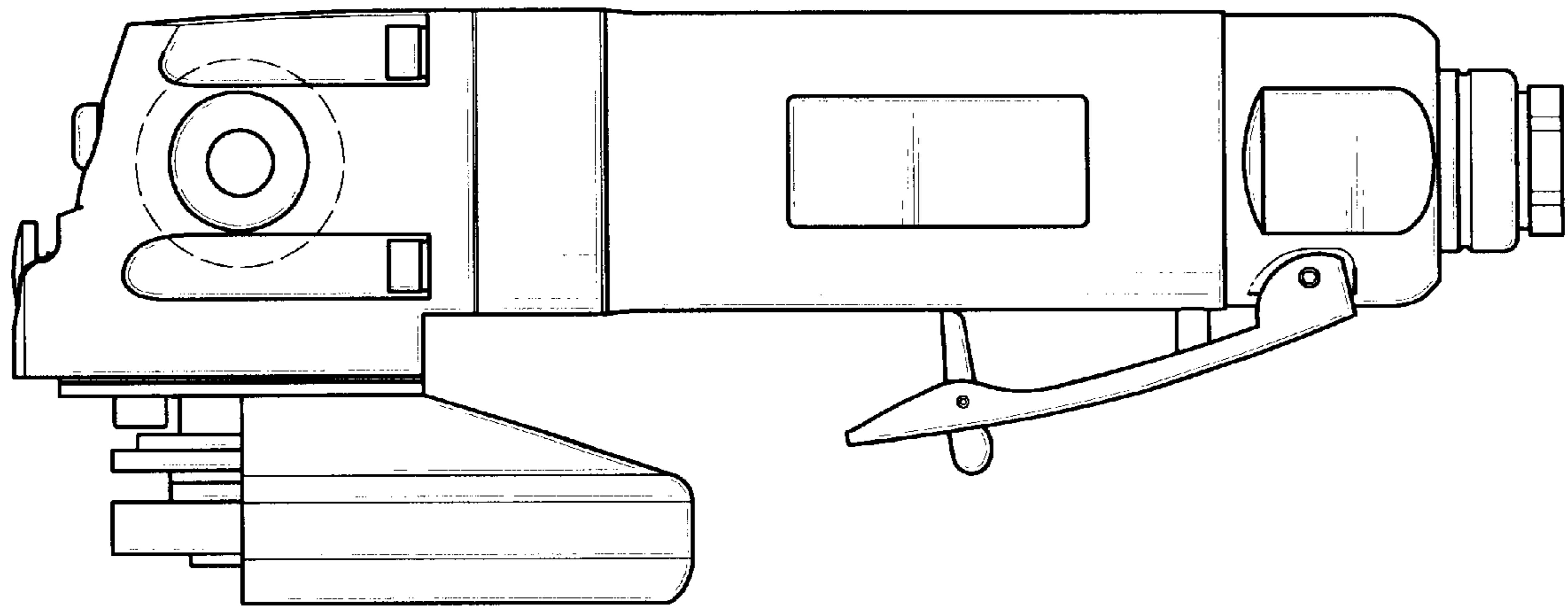


Fig.2

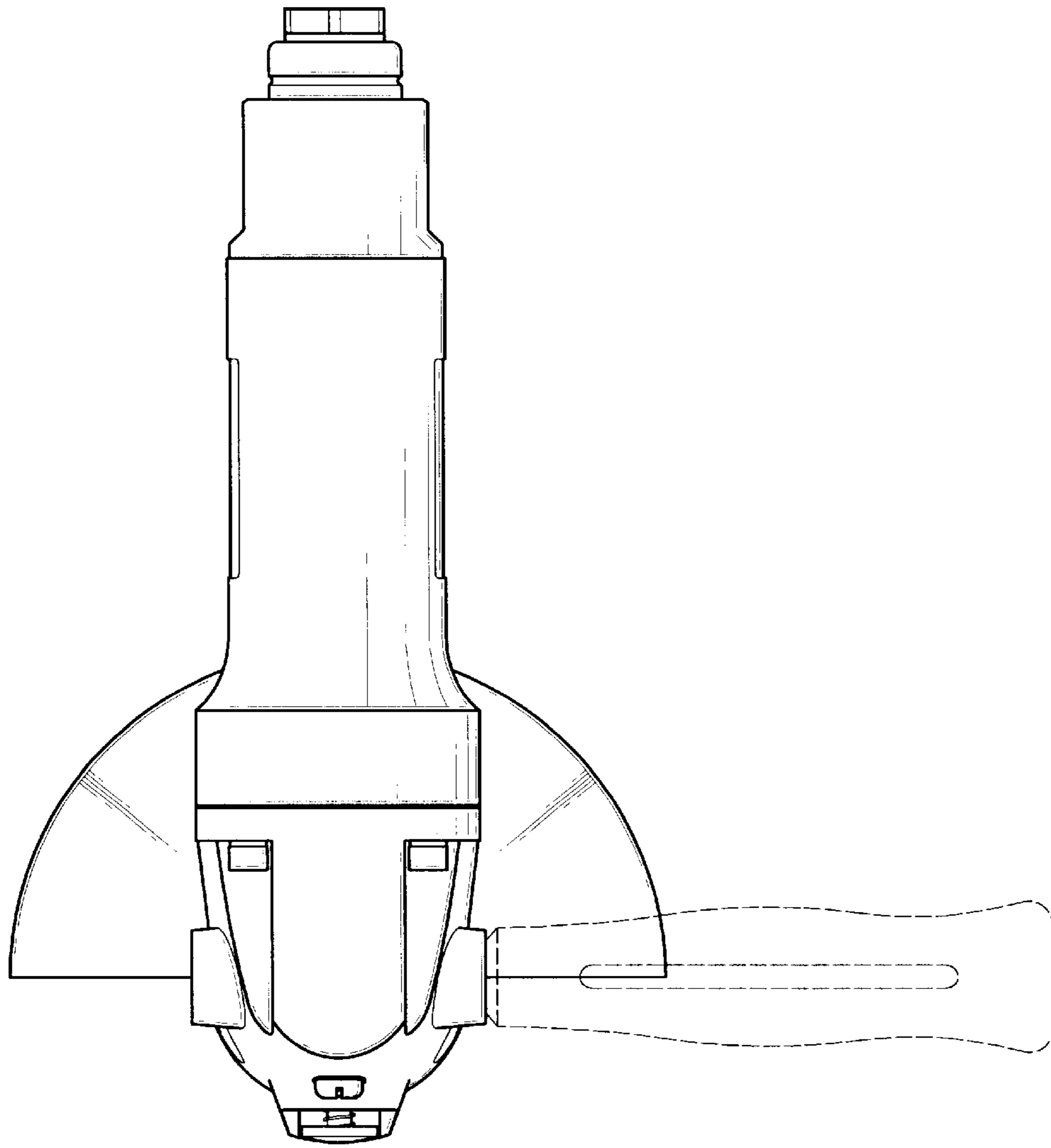


Fig.3

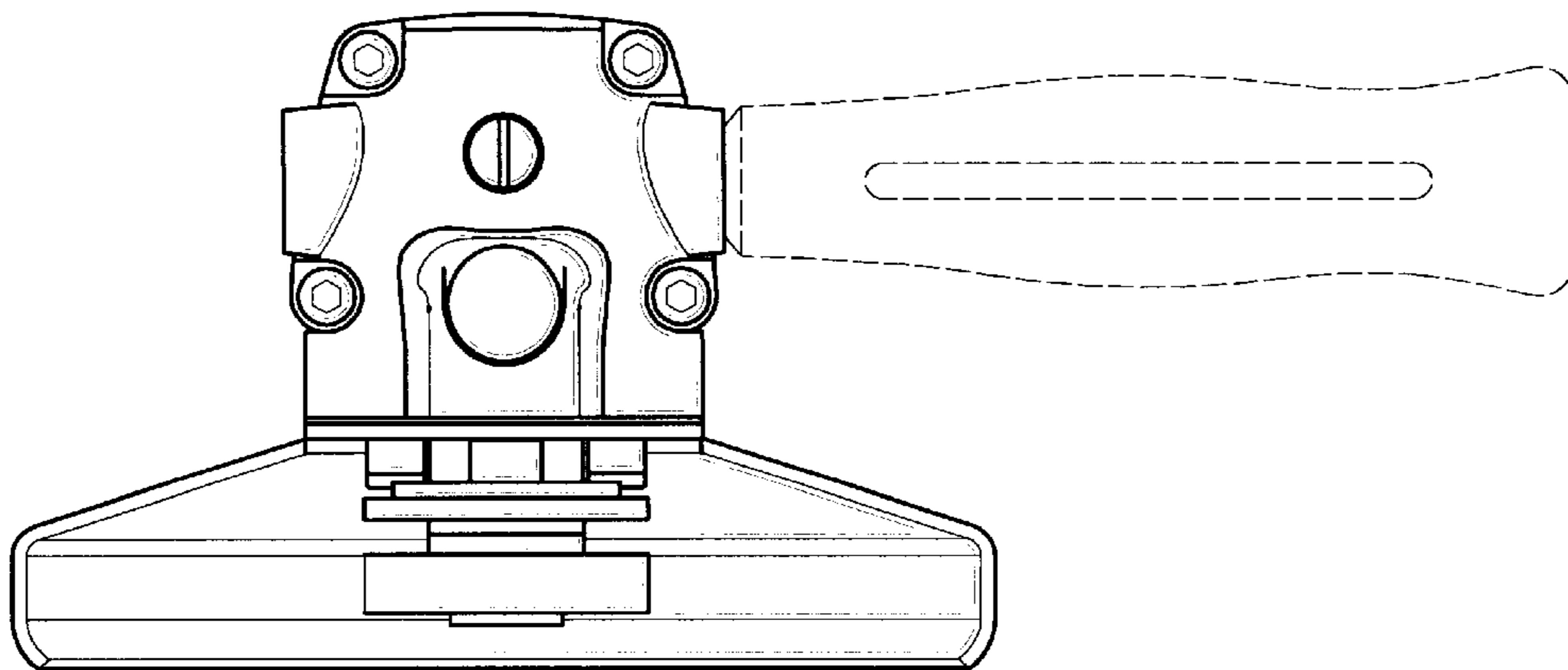


Fig.4

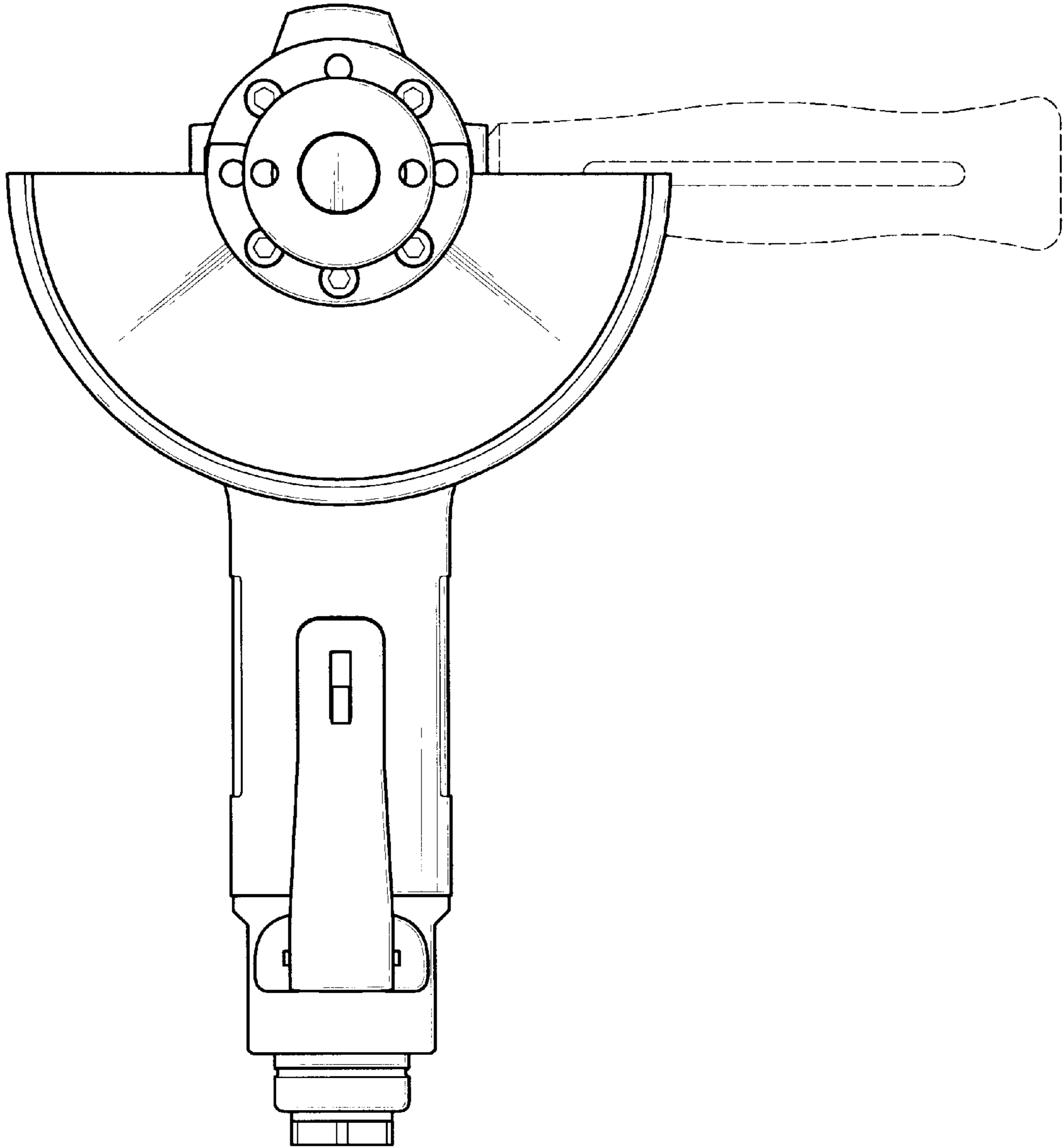


Fig.5

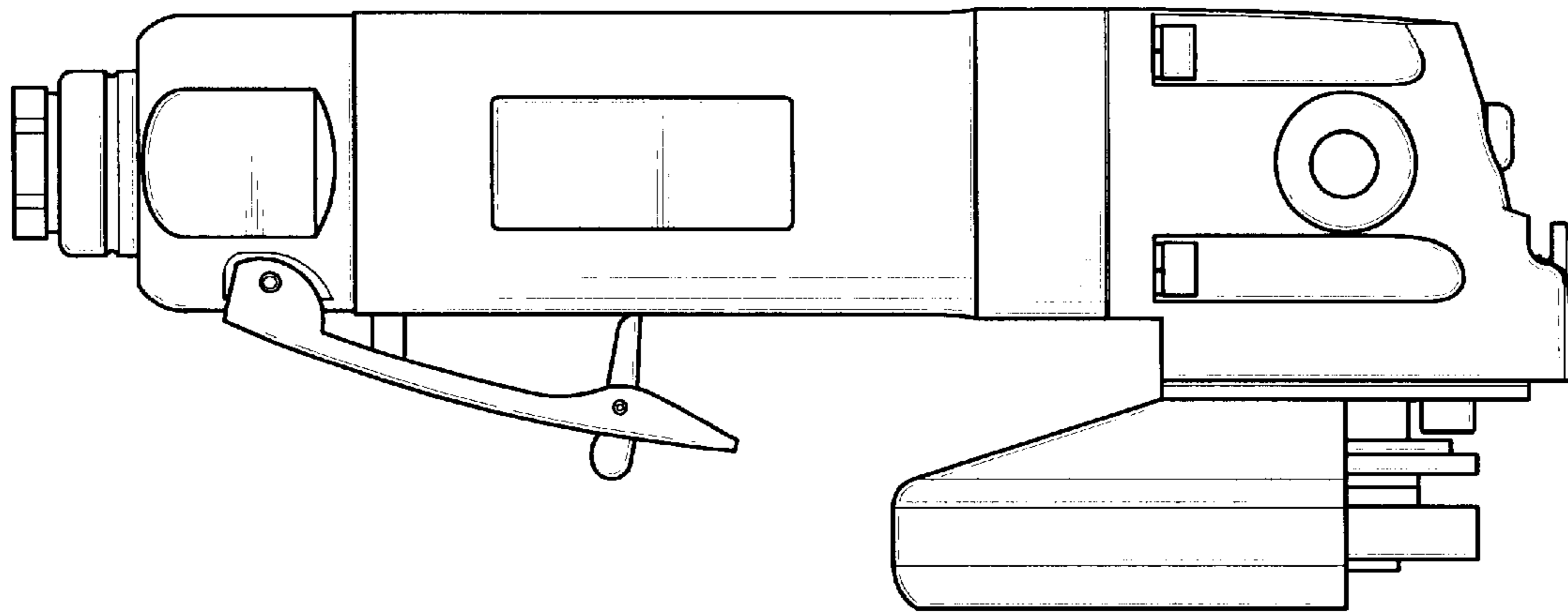


Fig.6

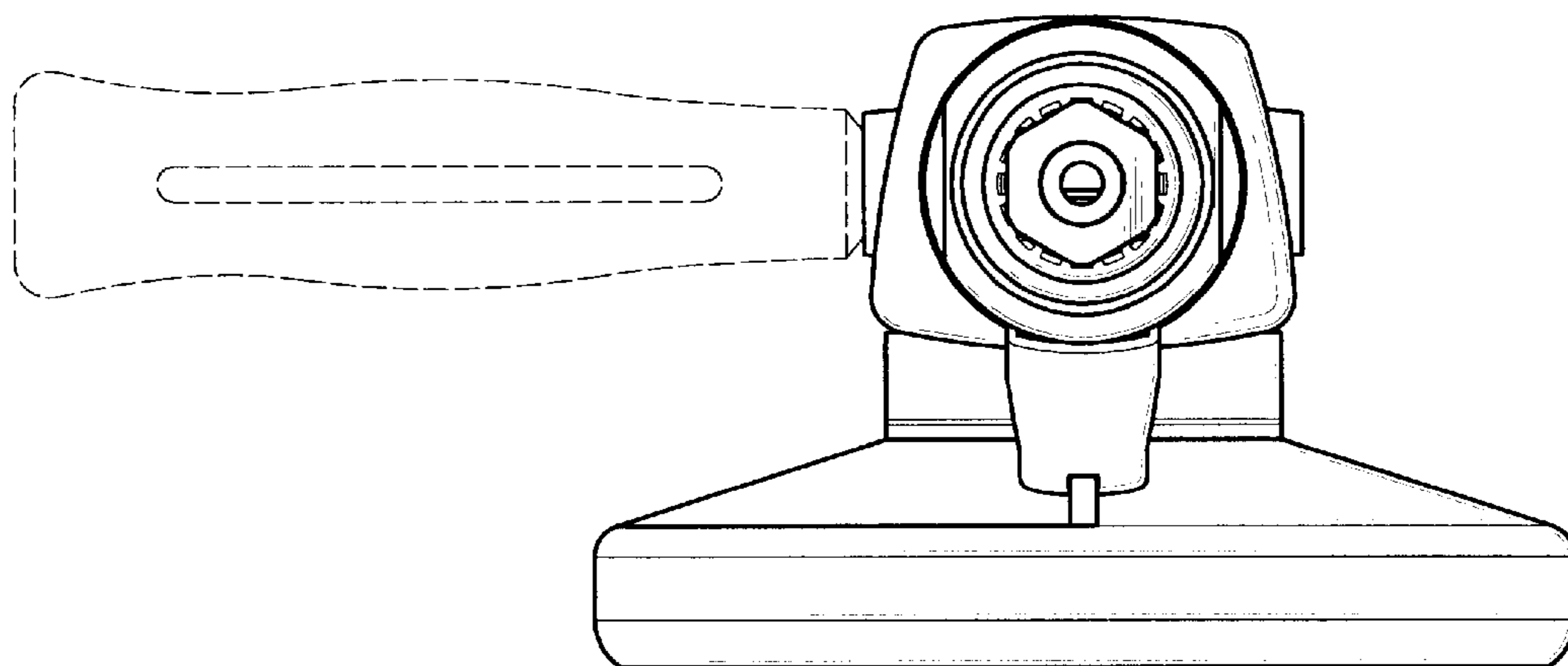


Fig.7