



US00D522329S

(12) **United States Design Patent** (10) **Patent No.:** **US D522,329 S**  
**Adams et al.** (45) **Date of Patent:** **\*\* Jun. 6, 2006**

(54) **STAPLER**

(75) Inventors: **David P. Adams**, Barrington, IL (US);  
**Joel G. Delman**, Chicago, IL (US);  
**Melanie Lyn Conklin**, Chicago, IL  
(US); **Stephen John Gaynes**, McHenry,  
IL (US); **Michael F. De Rossi**,  
Lindenhurst, IL (US)

(73) Assignee: **ACCO Brands USA LLC**,  
Lincolnshire, IL (US)

(\*\*) Term: **14 Years**

(21) Appl. No.: **29/236,635**

(22) Filed: **Aug. 19, 2005**

**Related U.S. Application Data**

(63) Continuation of application No. 29/203,838, filed on Apr. 20, 2004.

(51) **LOC (8) Cl.** ..... **19-02**

(52) **U.S. Cl.** ..... **D8/50; D8/49**

(58) **Field of Classification Search** ..... D8/49,  
D8/50, 105, 302; D28/59, 58, 57, 56; D15/70,  
D15/69; D7/330, 379; D26/37, 39; D13/162;  
227/134, 111, 131, 156; 132/200, 73  
See application file for complete search history.

(56) **References Cited**

**U.S. PATENT DOCUMENTS**

D101,889 S 11/1936 Rix  
3,037,514 A \* 6/1962 Lappe ..... 132/73  
4,920,991 A \* 5/1990 Shibahashi et al. .... 132/73  
D319,377 S 8/1991 Sadashima et al.  
D331,000 S 11/1992 Doorley  
D332,732 S 1/1993 Matsuno  
D374,385 S 10/1996 Herbst et al.  
5,638,835 A \* 6/1997 Franz et al. .... 132/200  
D388,904 S \* 1/1998 Atkinson ..... D28/59  
D416,752 S \* 11/1999 Leverrier ..... D7/379  
D429,697 S \* 8/2000 Monaco et al. .... D13/162  
D433,523 S \* 11/2000 Poon ..... D26/49  
D442,558 S \* 5/2001 Mayo et al. .... D13/162

D445,323 S 7/2001 Arns  
D450,868 S \* 11/2001 Maximilian-Yee ..... D26/49  
D451,360 S \* 12/2001 Nesseth ..... D8/302  
D453,444 S \* 2/2002 Garman ..... D7/379  
D467,778 S 12/2002 Nolan  
D468,981 S \* 1/2003 Nolan ..... D8/50  
D470,024 S \* 2/2003 Robillard ..... D8/50  
D472,437 S \* 4/2003 Scola et al. .... D8/50  
6,547,119 B1 4/2003 Huang

(Continued)

**OTHER PUBLICATIONS**

Acco Brands, Inc., Fact Book 2001, Feb. 1, 2001, pp. 188–189.

Acco Brands, Inc., Fact Book 2003, Feb. 1, 2003, pp. 98, 99 and 110–112.

*Primary Examiner*—Cathron C. Brooks

*Assistant Examiner*—Austin Murphy

(74) *Attorney, Agent, or Firm*—Michael Best & Friedrich LLP

(57) **CLAIM**

We claim the ornamental design for a stapler, as shown and described.

**DESCRIPTION**

FIG. 1 is a left-side perspective view, taken from the front, of a stapler embodying the present invention.

FIG. 2 is a right-side perspective view taken from the front of the stapler.

FIG. 3 is a left-side perspective view taken from the rear of the stapler.

FIG. 4 is a left side view of the stapler.

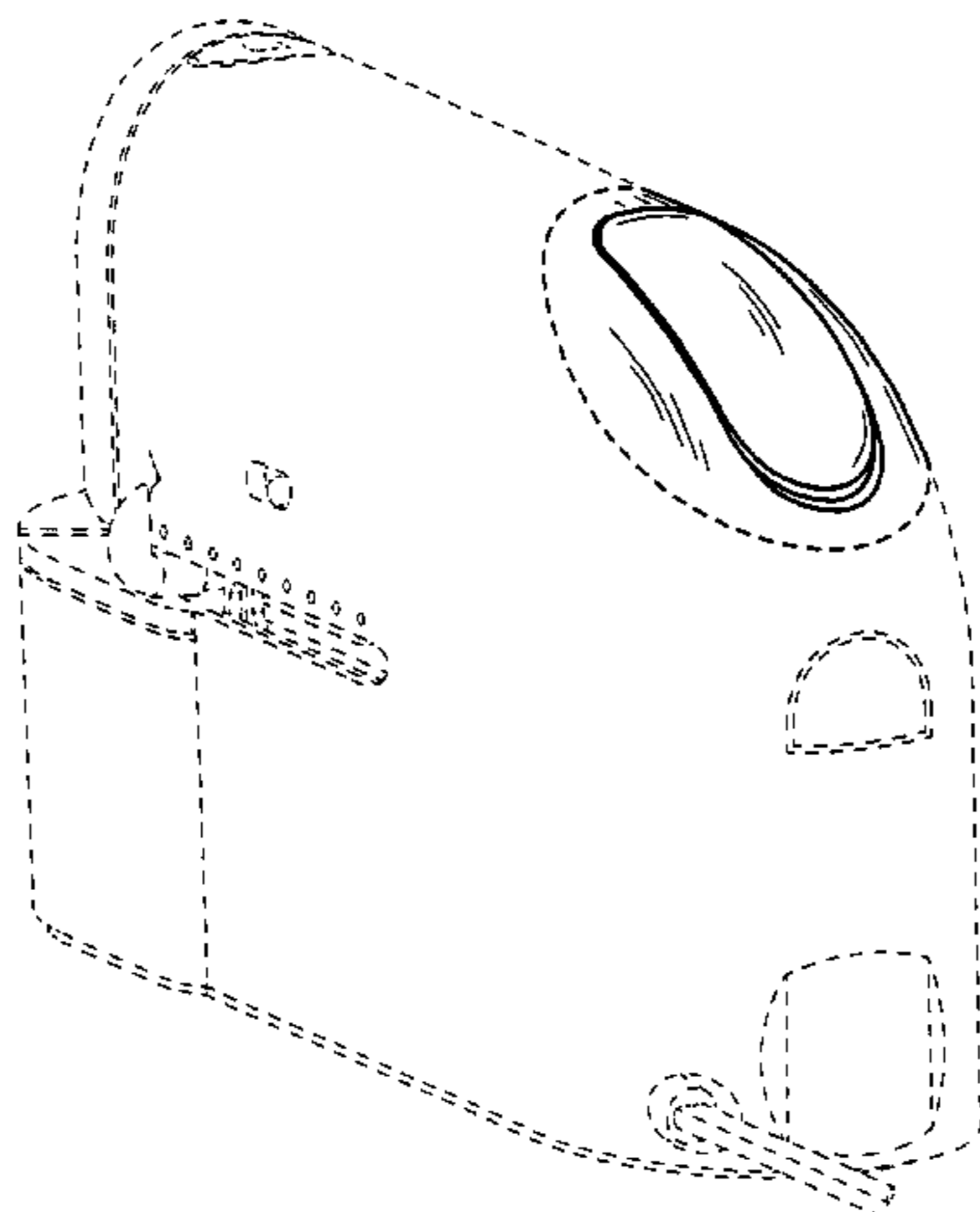
FIG. 5 is a right side view of the stapler.

FIG. 6 is a rear view of the stapler; and,

FIG. 7 is a top view of the stapler.

The dark broken line at the top rear portion of the stapler defines the boundary of the claimed design and forms no part of the claimed design. The portions of the stapler shown in the lighter broken lines are for illustrative purposes only and form no part of the claimed design.

**1 Claim, 5 Drawing Sheets**



# US D522,329 S

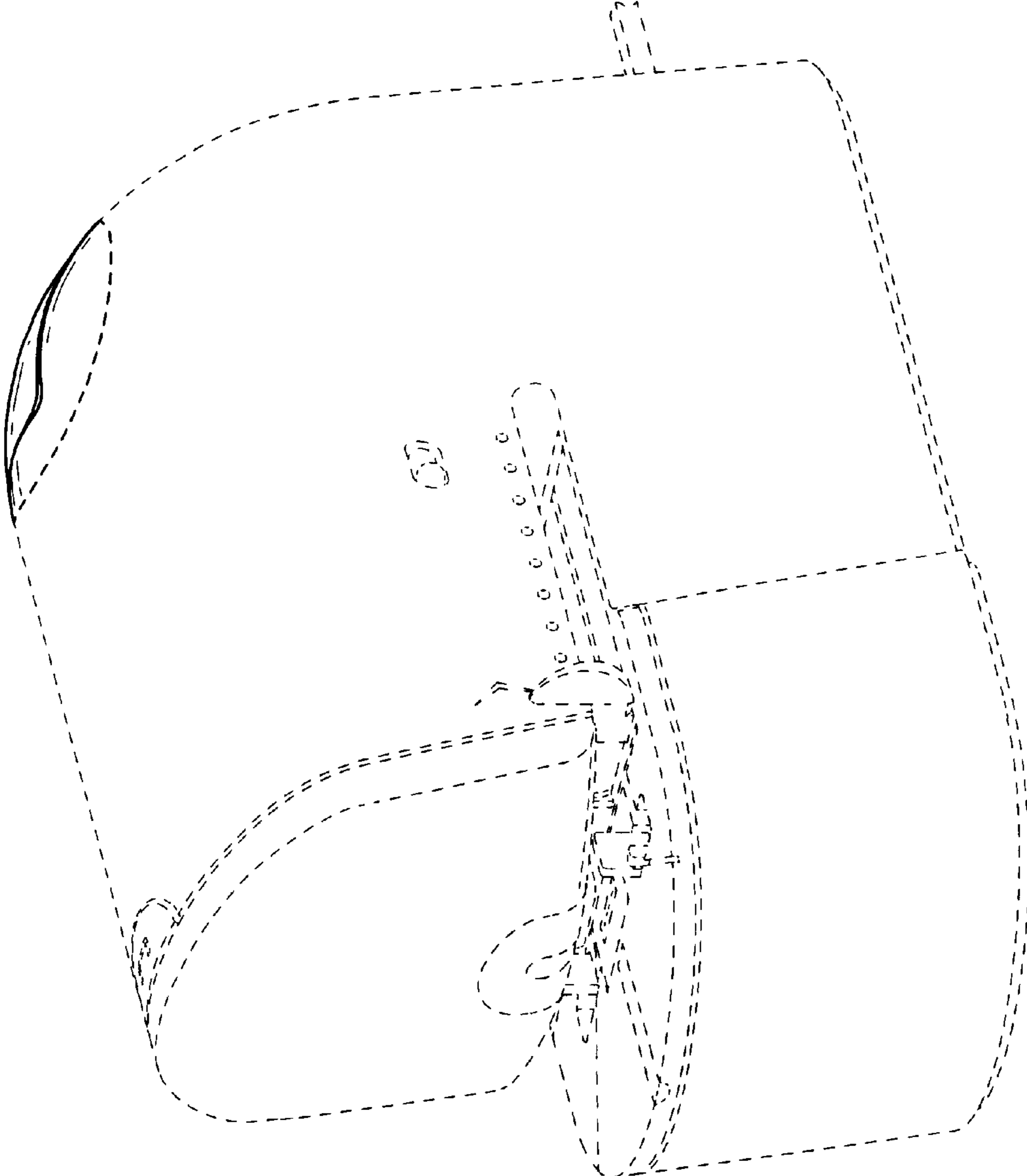
Page 2

---

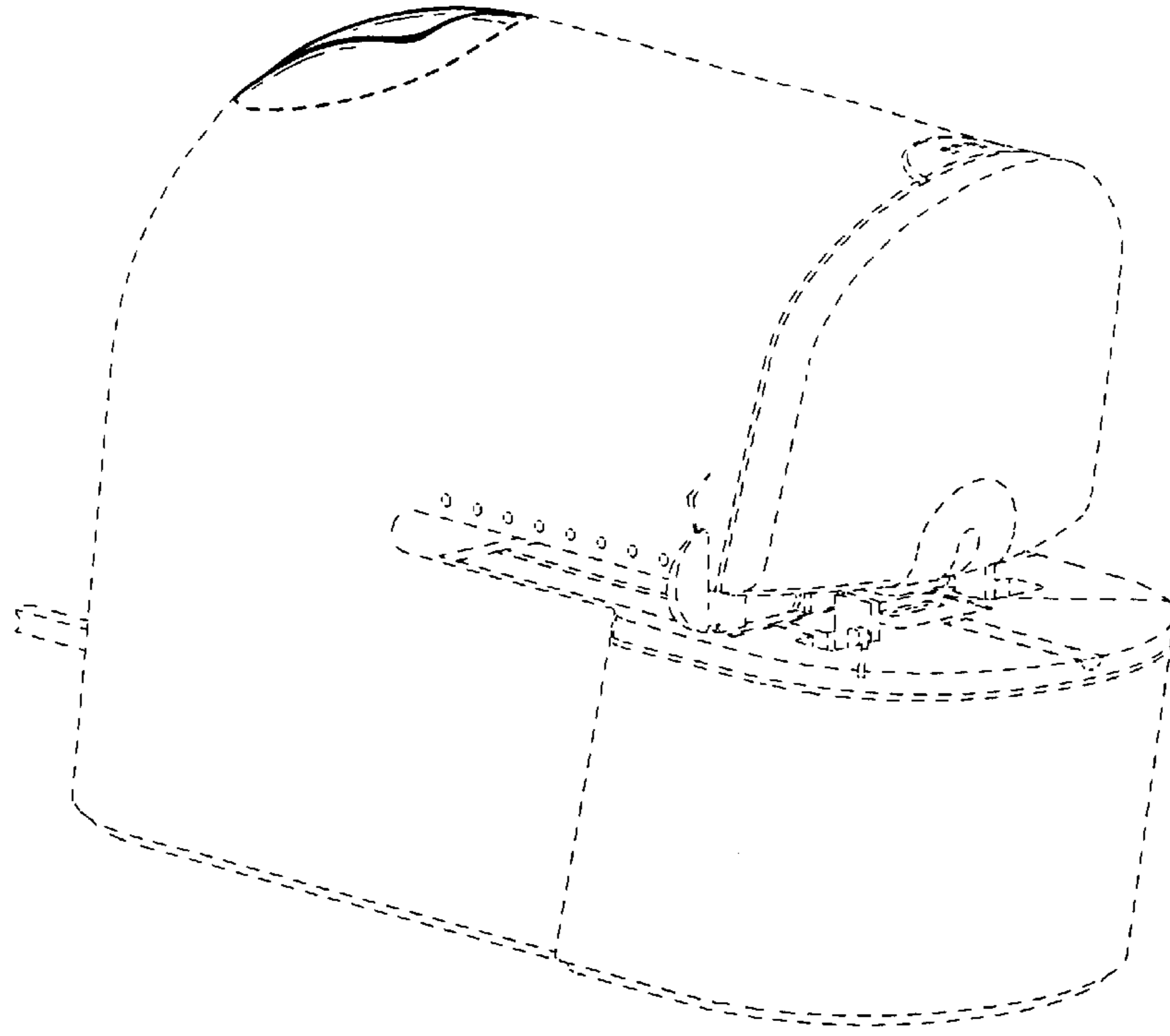
## U.S. PATENT DOCUMENTS

D475,905 S	6/2003	Kroger	
D478,486 S	* 8/2003	Scola et al. ....	D8/50
D493,008 S	* 7/2004	Brent .....	D26/49
D503,320 S	3/2005	Adams et al.	
		D507,671 S	* 7/2005 Rice .....
		2002/0158101 A1	10/2002 Huang
		2005/0242151 A1	* 11/2005 Bargo et al. ....
		2005/0242153 A1	* 11/2005 Adams et al. ....

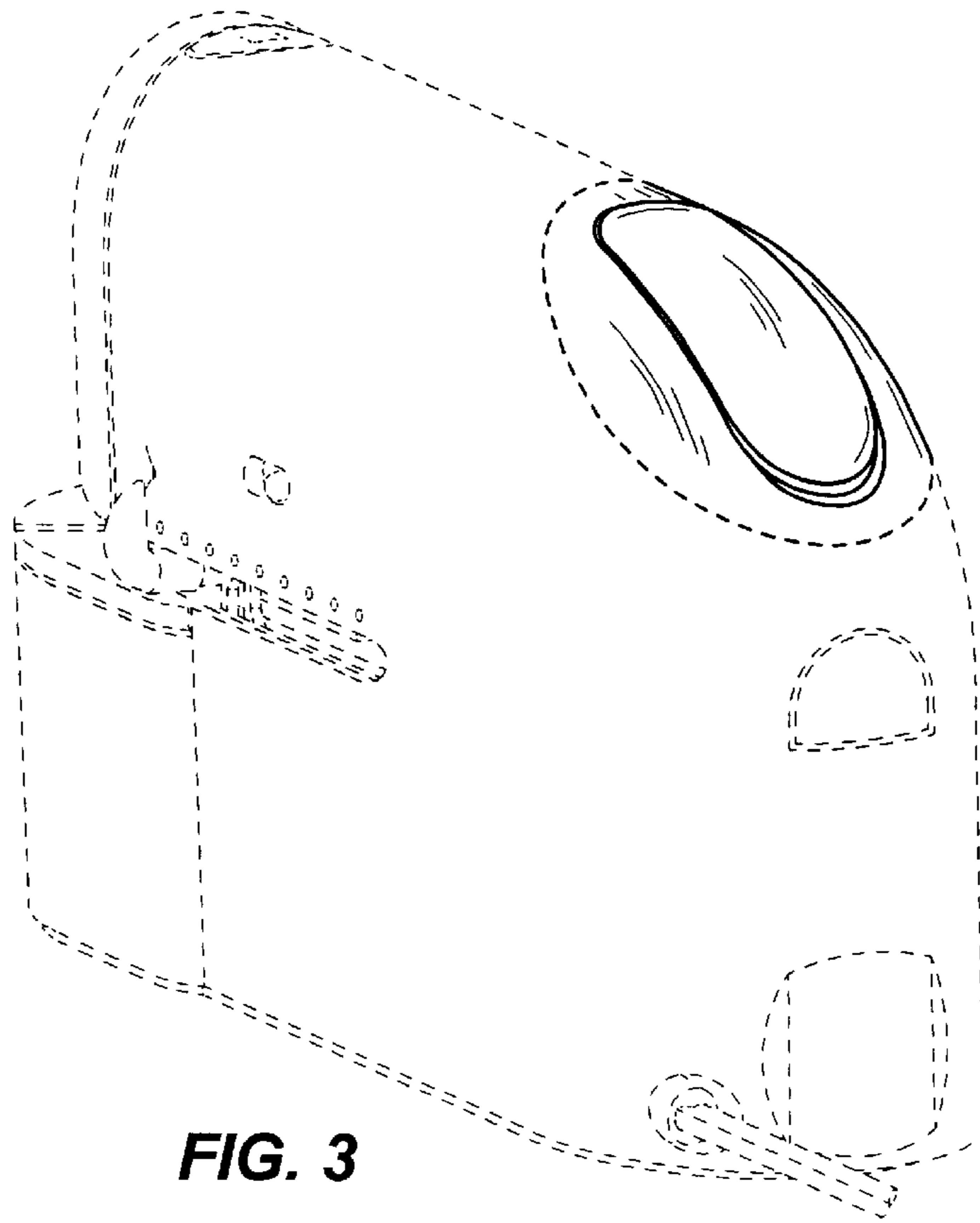
\* cited by examiner



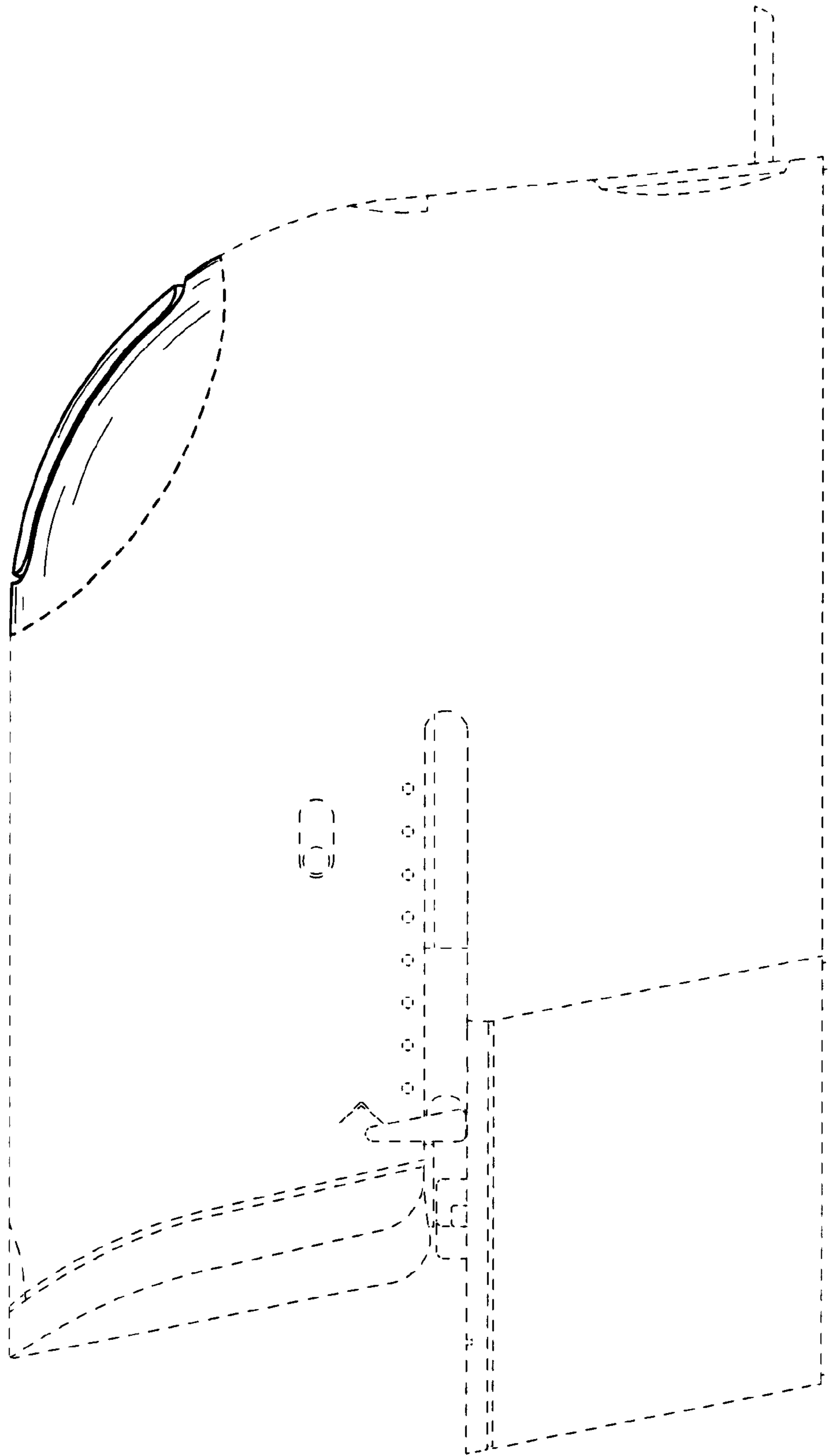
**FIG. 1**



**FIG. 2**



**FIG. 3**



**FIG. 4**

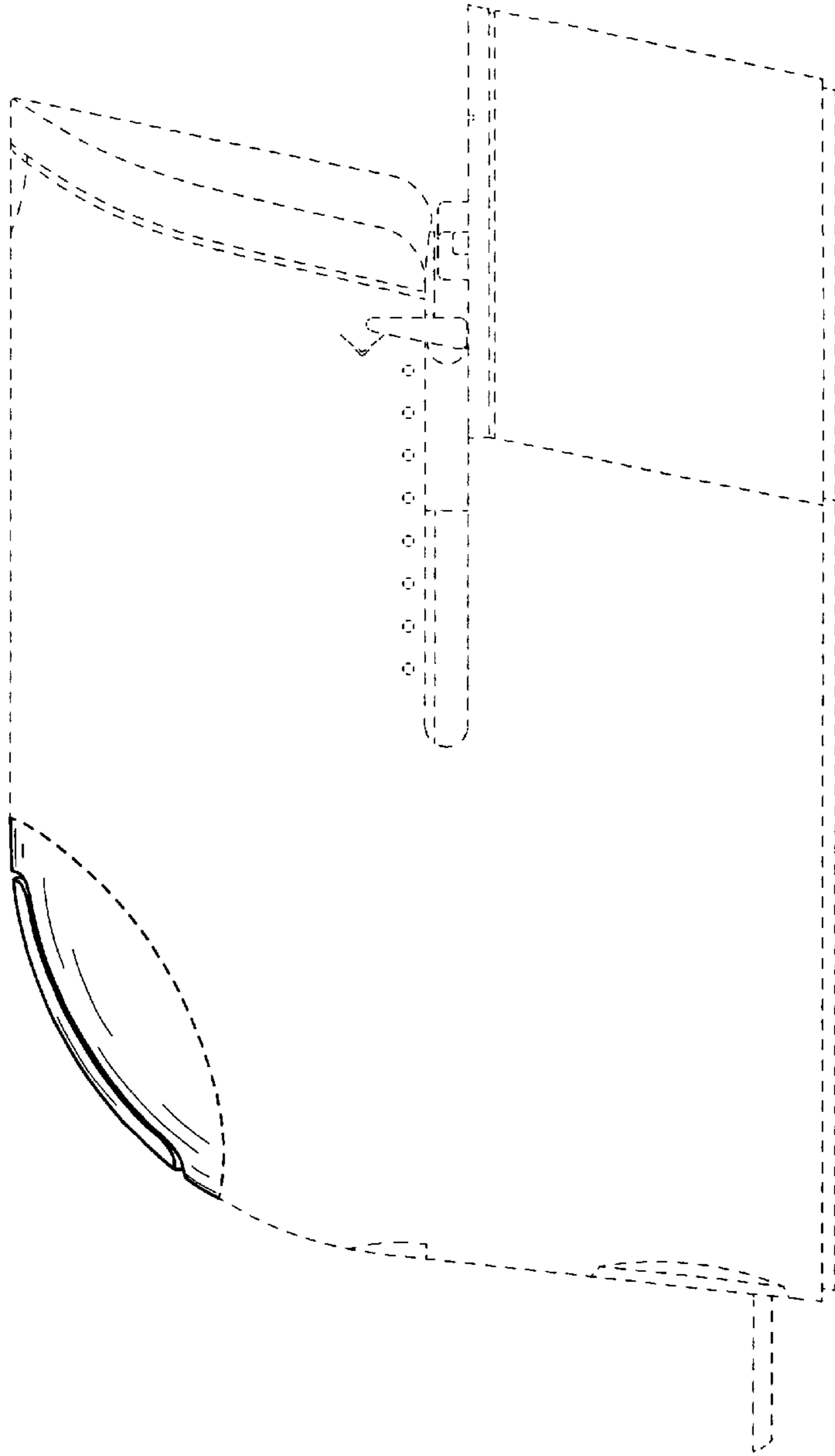


FIG. 5

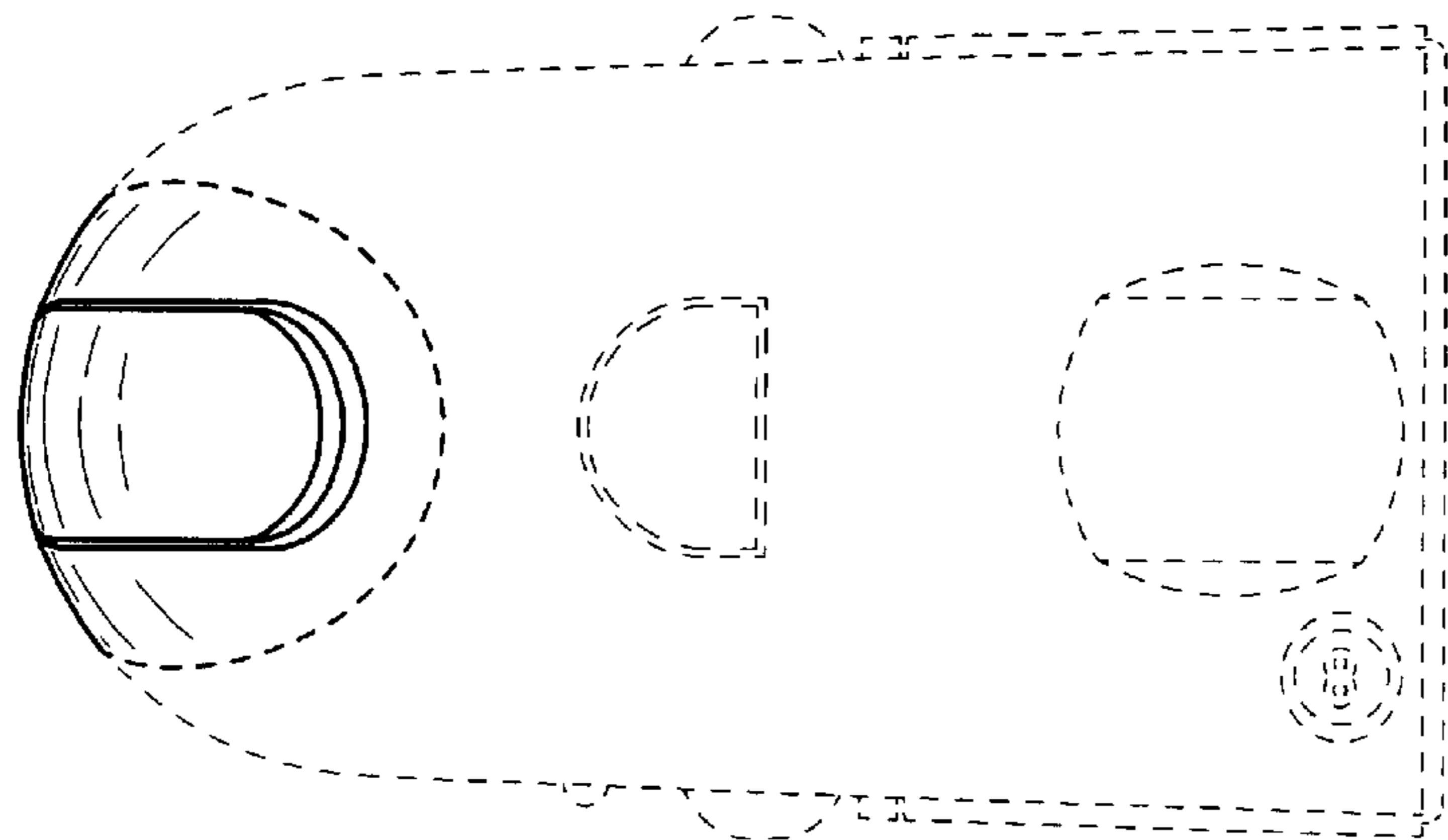
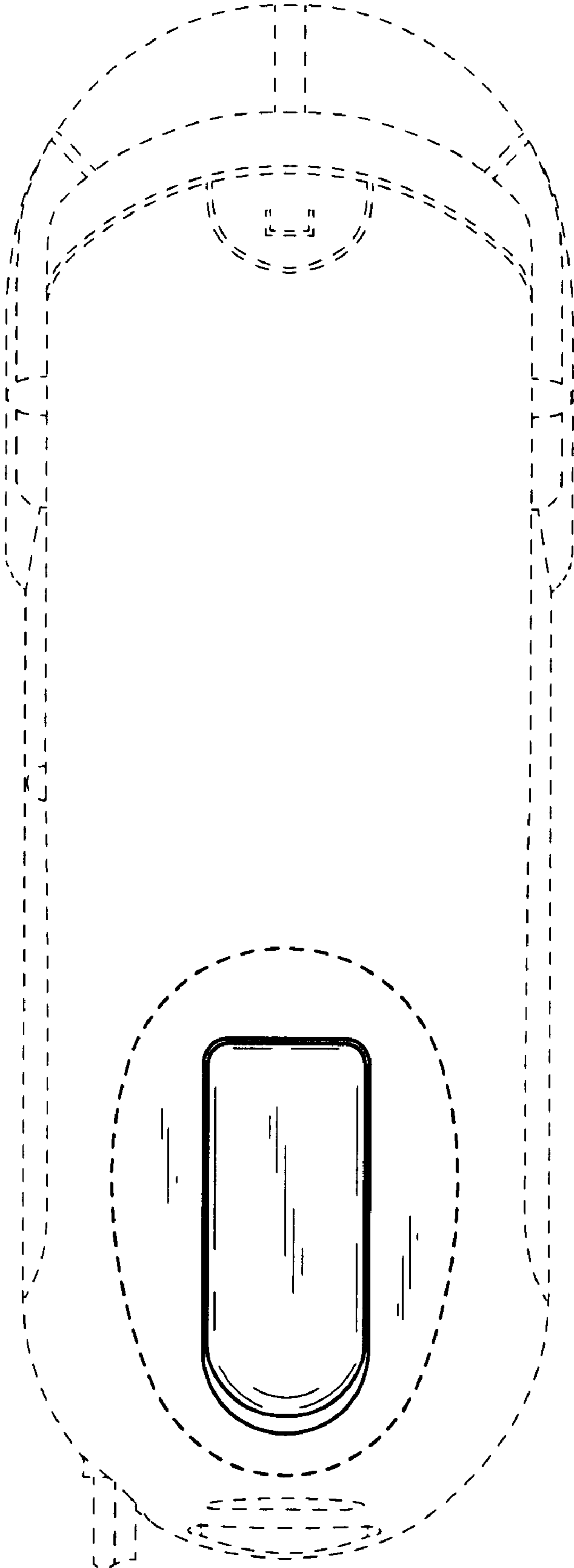


FIG. 6



**FIG. 7**