



US00D522323S

(12) **United States Design Patent**
Toth

(10) **Patent No.:** **US D522,323 S**

(45) **Date of Patent:** **** Jun. 6, 2006**

(54) **PLANTER TOOL**

(76) Inventor: **Richard Dean Toth**, 3463 Astrozon Ct.,
Colorado Park, CO (US) 80910

(**) Term: **14 Years**

(21) Appl. No.: **29/226,341**

(22) Filed: **Mar. 29, 2005**

(51) **LOC (8) Cl.** **08-01**

(52) **U.S. Cl.** **D8/7**

(58) **Field of Classification Search** D8/1,
D8/7; 172/371-372; 294/50.8

See application file for complete search history.

(56) **References Cited**

U.S. PATENT DOCUMENTS

4,042,270	A	*	8/1977	Weiland	294/50.8
5,320,363	A	*	6/1994	Burnham	294/50.8
5,431,467	A	*	7/1995	Mlecka	294/51
5,743,579	A	*	4/1998	Ranburger	294/50.8
D401,125	S	*	11/1998	Bonnes et al.	D8/7

* cited by examiner

Primary Examiner—Holly H. Baynham

(74) *Attorney, Agent, or Firm*—Richard W. Hanes; Hanes & Schutz, LLC

(57) **CLAIM**

The ornamental design for a planter tool, as shown and described.

DESCRIPTION

FIG. 1 is a left frontal perspective view of the planter tool of the present invention.

FIG. 2 is a left rearward perspective view of the planter tool of the present invention.

FIG. 3 is a left side view of the planter tool.

FIG. 4 is a right side view of the planter tool.

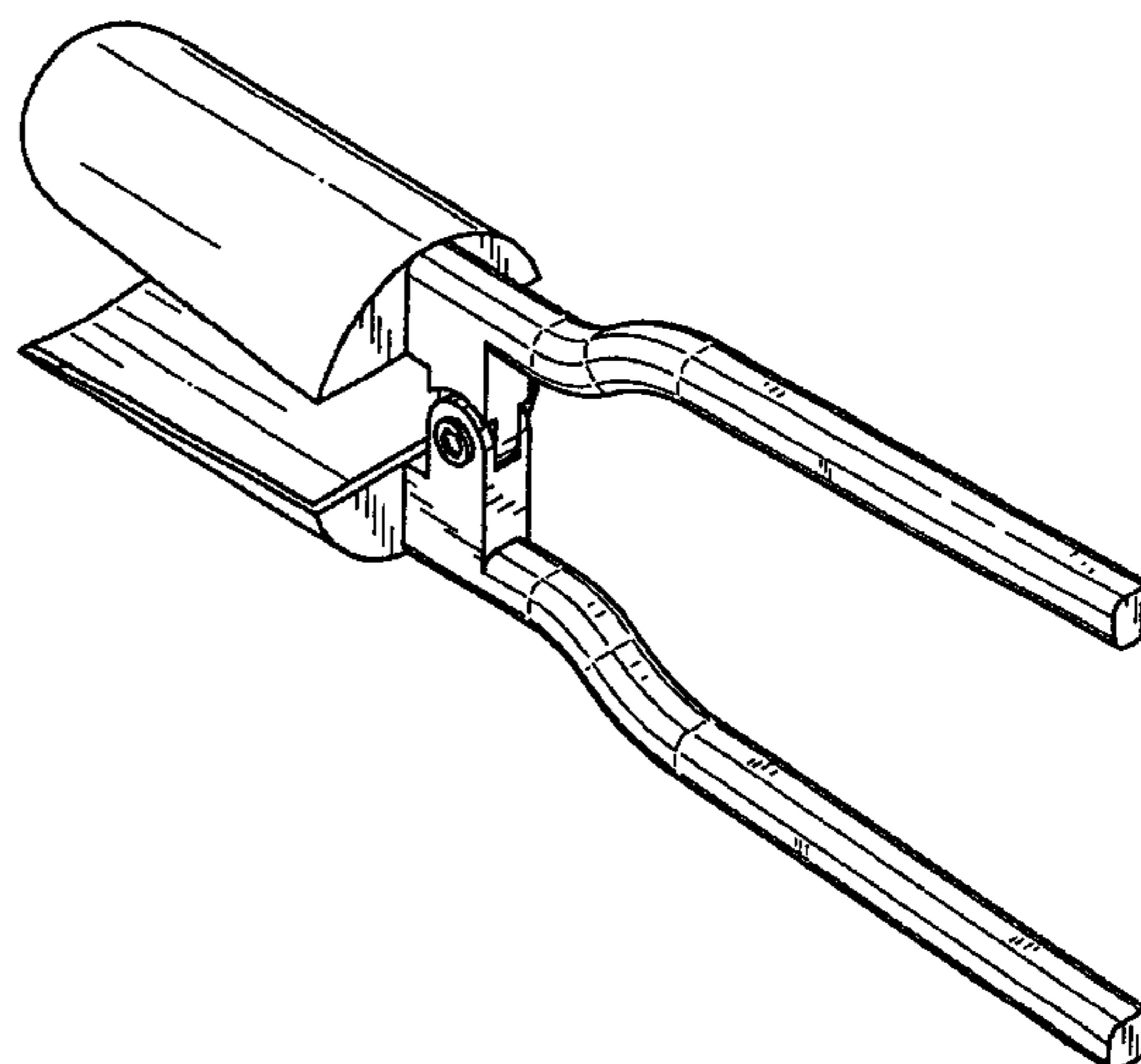
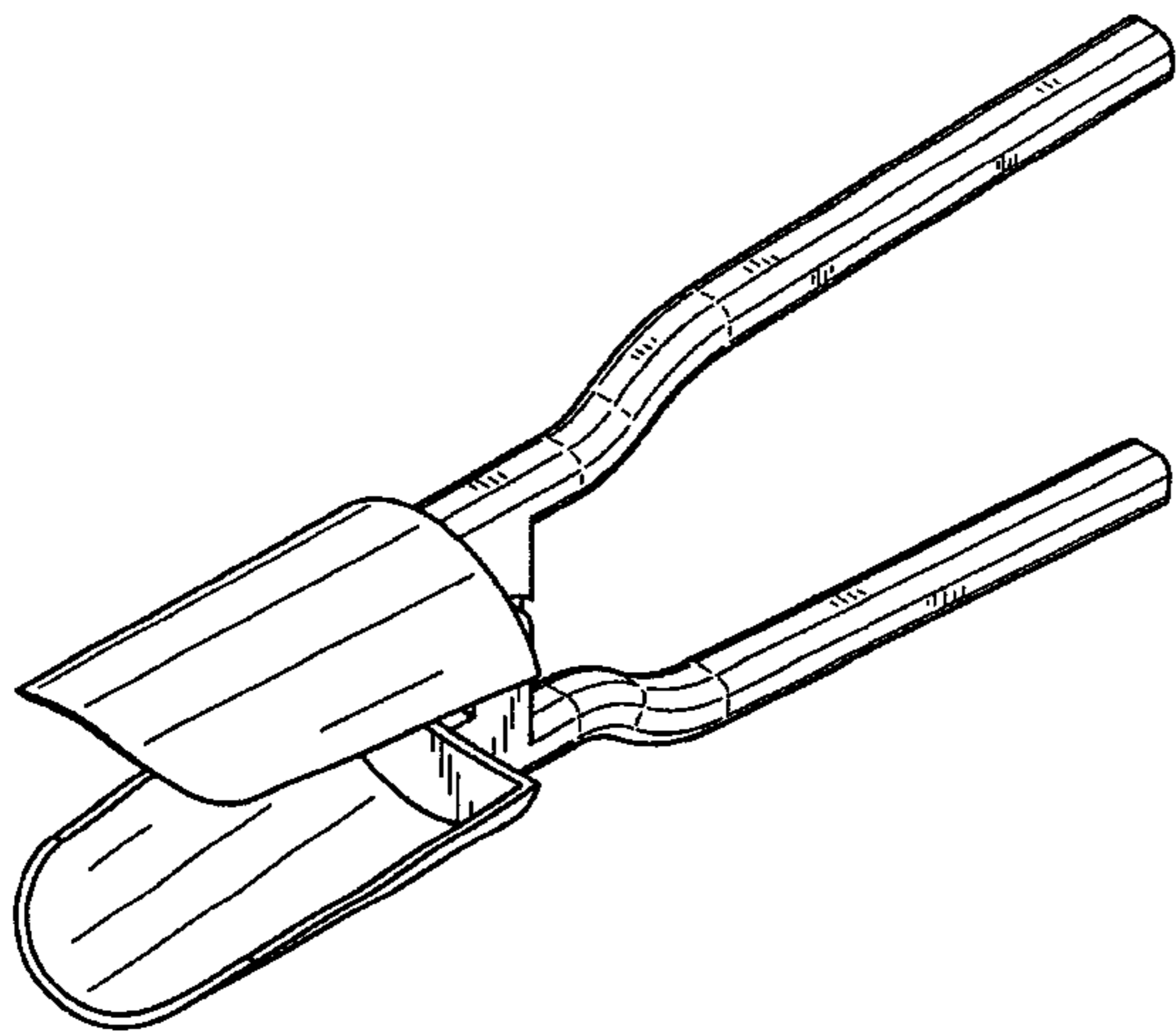
FIG. 5 is a rear view of the planter tool.

FIG. 6 is a front view of the planter tool.

FIG. 7 is a top view of the planter tool; and,

FIG. 8 is a bottom view of the planter tool.

1 Claim, 4 Drawing Sheets



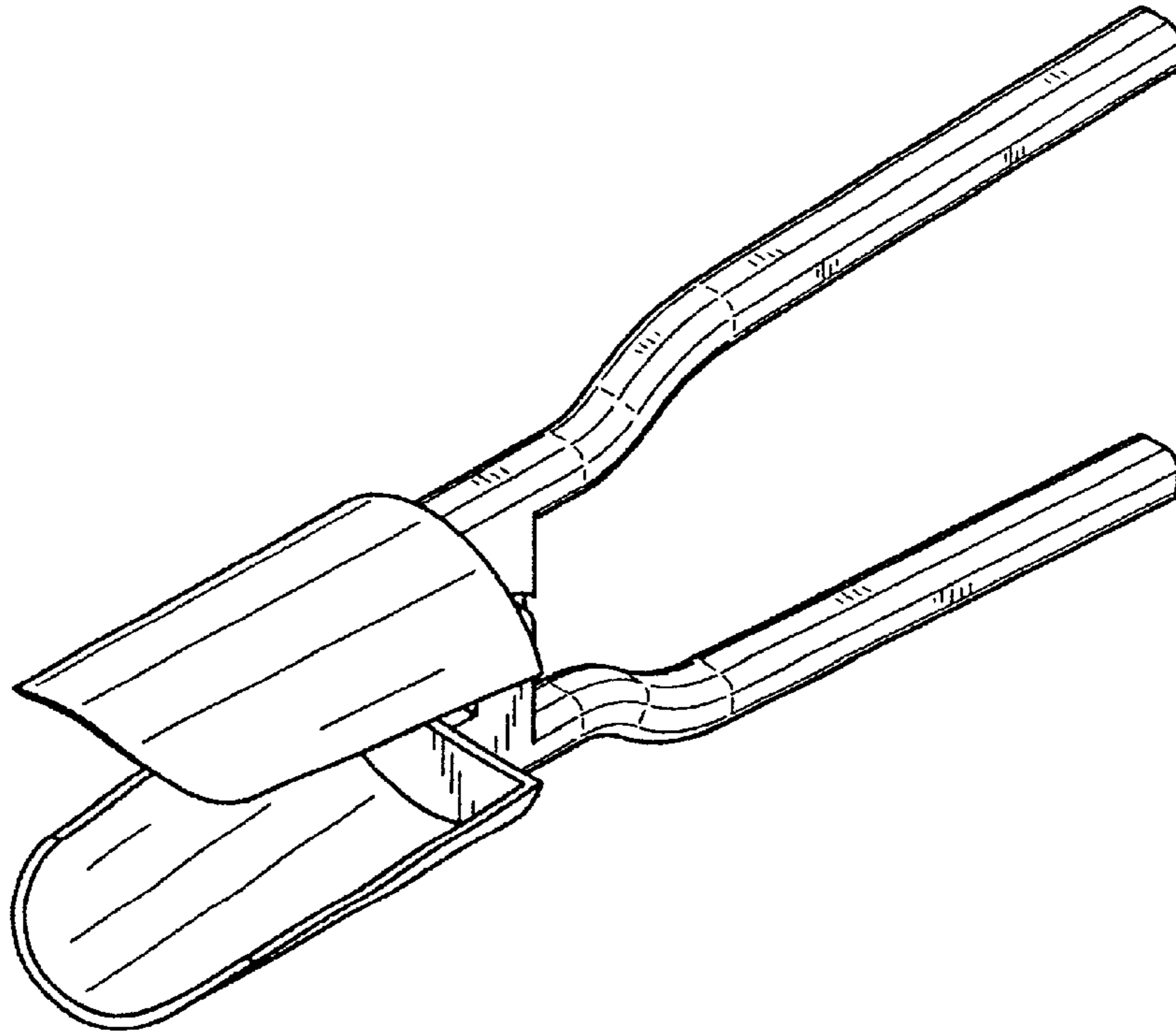


FIG.1

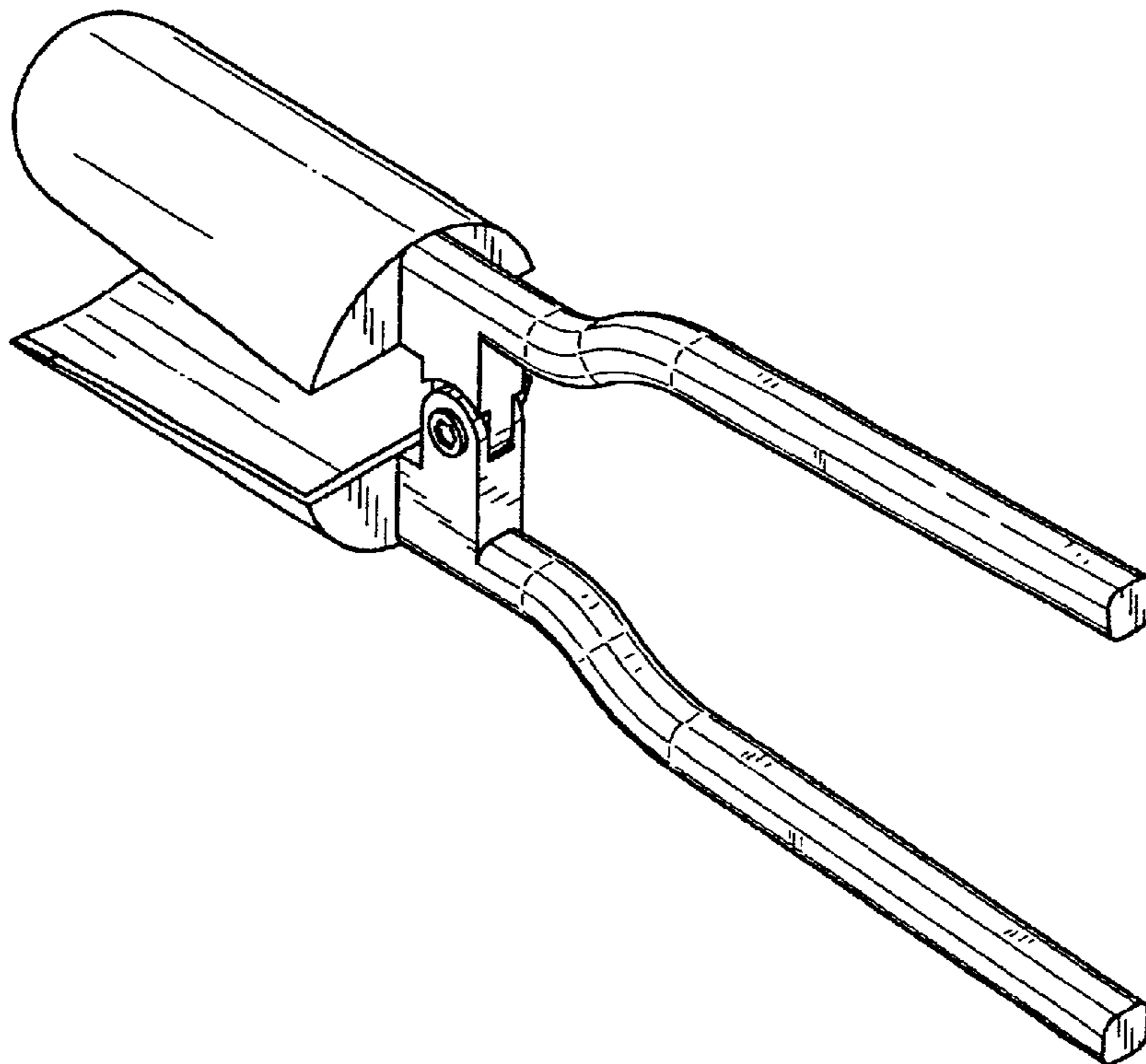


FIG.2

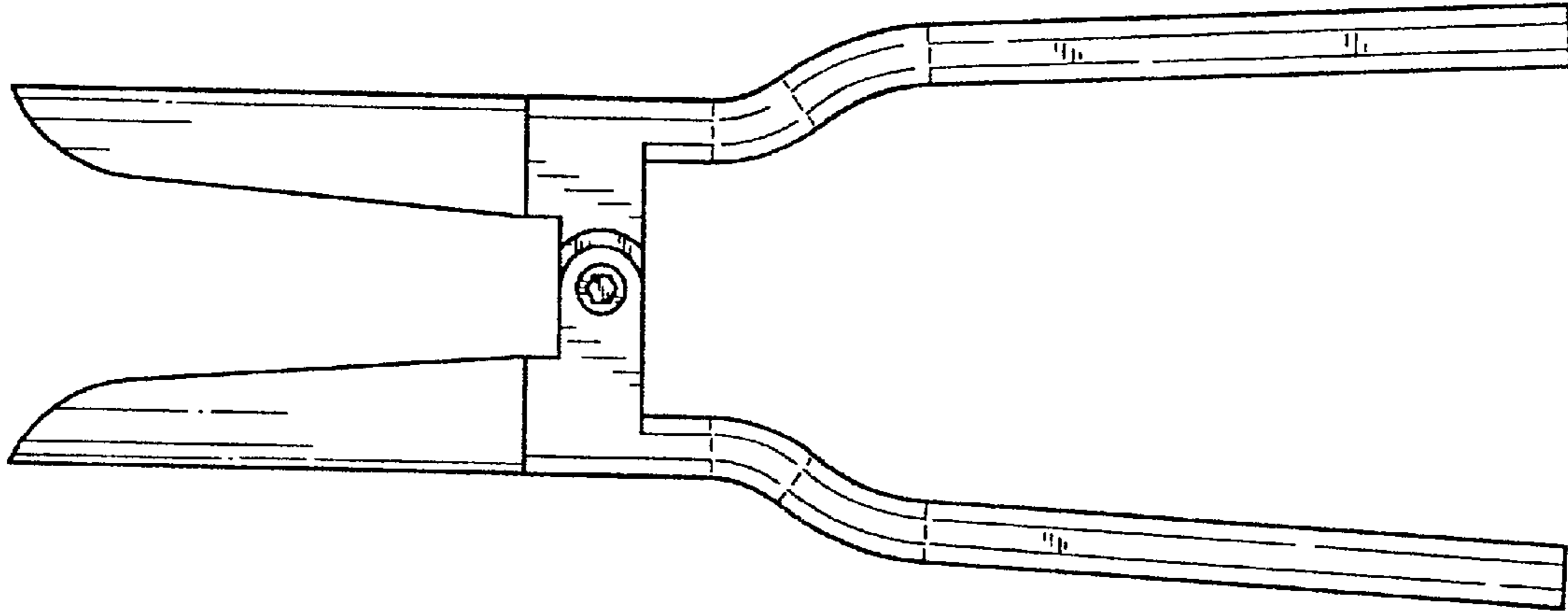


FIG.3

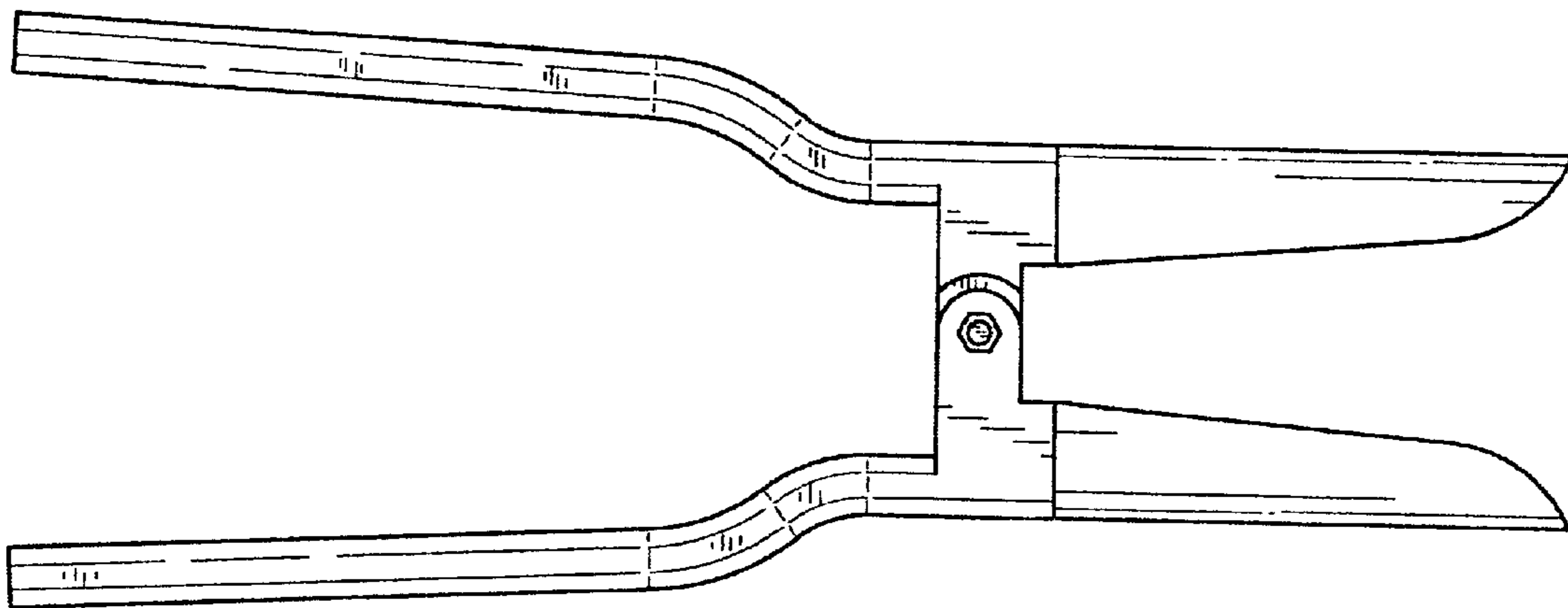


FIG.4

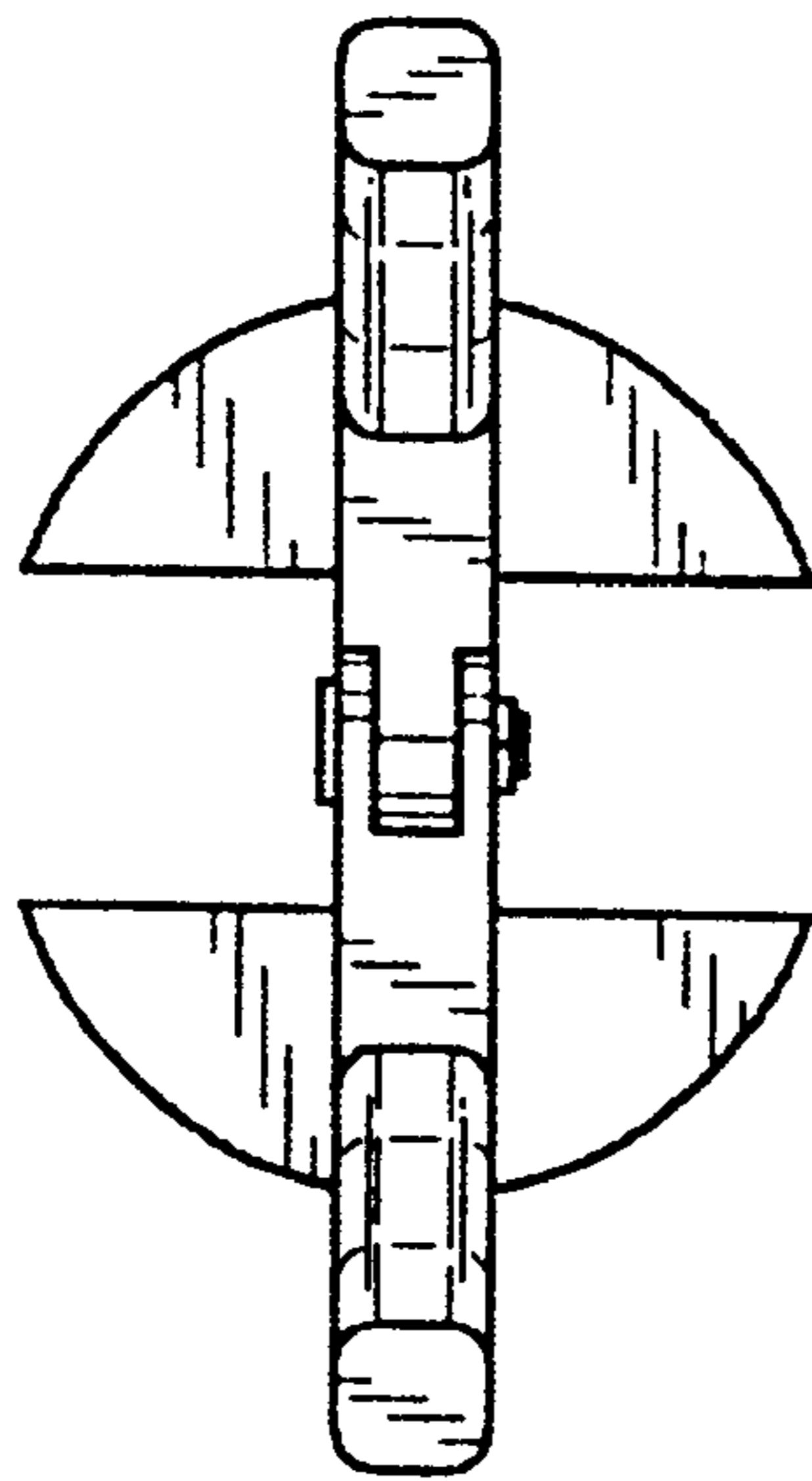


FIG. 5

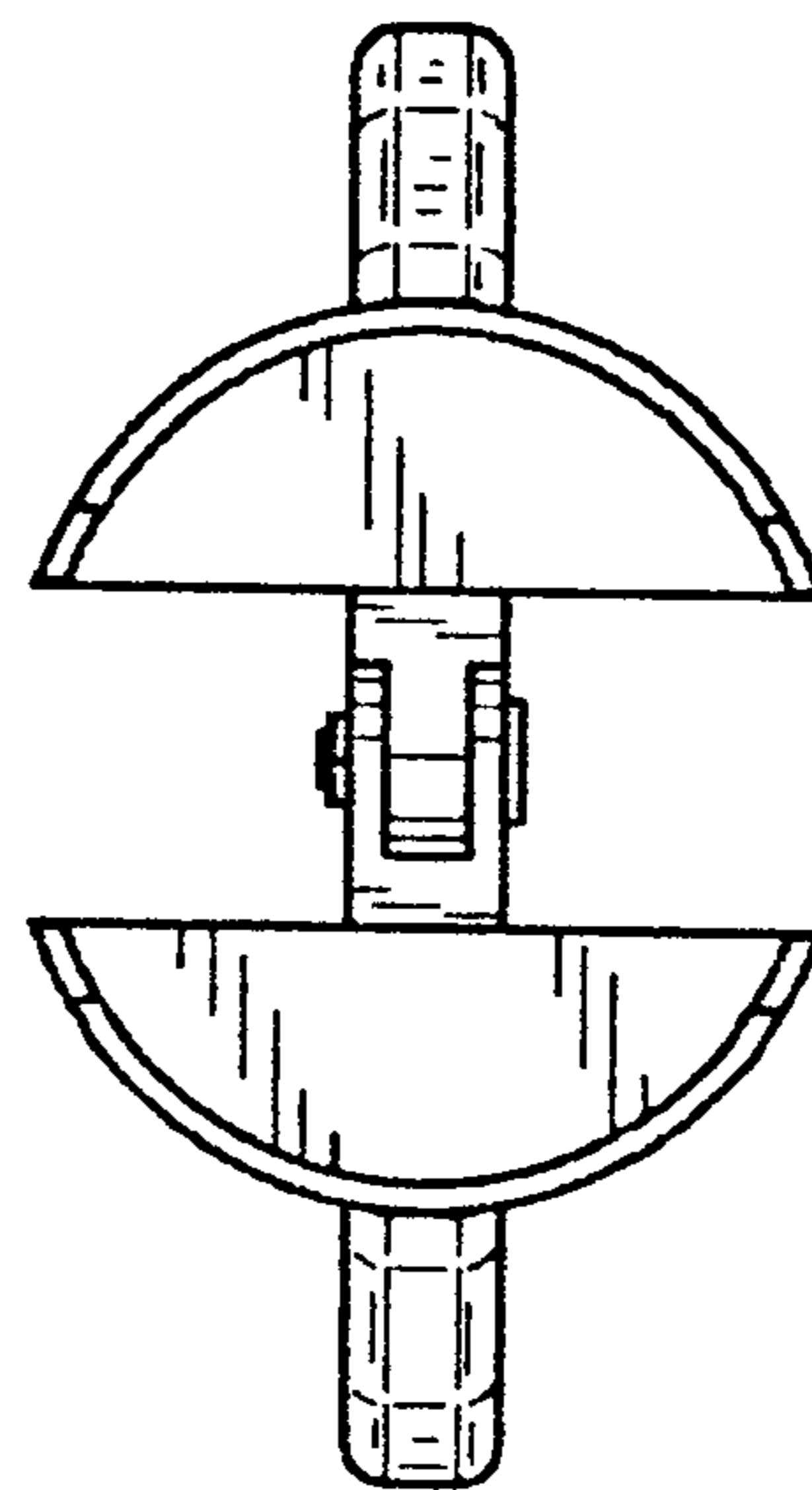


FIG. 6

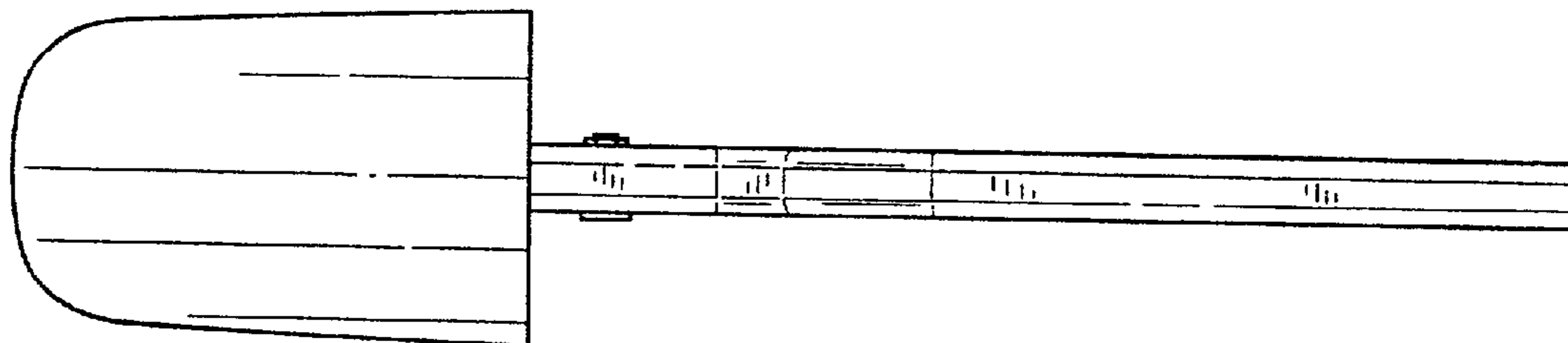


FIG. 7

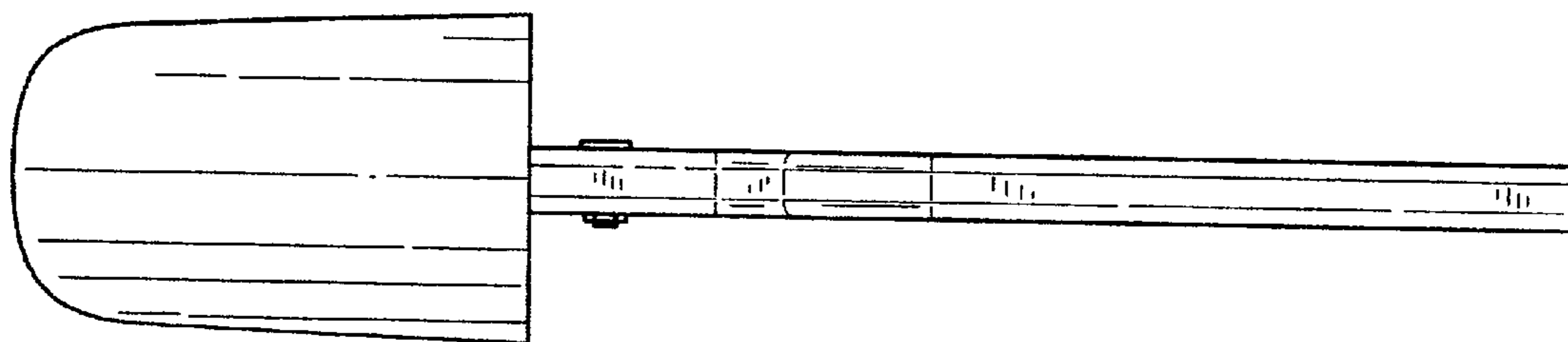


FIG. 8

UNITED STATES PATENT AND TRADEMARK OFFICE
CERTIFICATE OF CORRECTION

PATENT NO. : Des. 522,323 S
APPLICATION NO. : 29/226341
DATED : June 6, 2006
INVENTOR(S) : Toth

Page 1 of 1

It is certified that error appears in the above-identified patent and that said Letters Patent is hereby corrected as shown below:

On title page Item (76)

Inventor Residence Address should read --815 North Walnut, Woodland Park, CO (US)
80863--

Signed and Sealed this

Twenty-second Day of August, 2006

A handwritten signature in black ink on a dotted background. The signature reads "Jon W. Dudas" in a cursive style.

JON W. DUDAS

Director of the United States Patent and Trademark Office