



US00D522312S

(12) **United States Design Patent**  
**Bodum**

(10) **Patent No.:** **US D522,312 S**  
(45) **Date of Patent:** **\*\* \*Jun. 6, 2006**

(54) **CUP/MUG**

(75) Inventor: **Jürgen Bodum**, Lucerne (CH)

(73) Assignee: **Pi-Design AG**, Triengen (CH)

(\*) Notice: This patent is subject to a terminal disclaimer.

(\*\*) Term: **14 Years**

(21) Appl. No.: **29/200,884**

(22) Filed: **Mar. 8, 2004**

(30) **Foreign Application Priority Data**

Sep. 10, 2003 (DK) ..... DA 2003 00415

(51) **LOC (8) Cl.** ..... **07-01**

(52) **U.S. Cl.** ..... **D7/536**

(58) **Field of Classification Search** ..... D7/523,  
D7/509, 532, 608, 619.1, 624.2, 603, 511,  
D7/531, 515; D11/152; D19/73; 47/79; 30/455;  
215/373, 384, 10, 12.1; 426/86; 428/34.2;  
D9/424, 500, 429, 430; 206/519, 520, 503,  
206/515; 220/8, 737, 592.16, 669, 606, 4.03,  
220/719, 710.5; 229/505, 404, 402, 400,  
229/403, 405, 4.5, 1.5 B; 219/387, 432; 222/209  
See application file for complete search history.

(56) **References Cited**

**U.S. PATENT DOCUMENTS**

D4,225 S	*	7/1870	Alterbury et al. ....	D9/500
D100,850 S	*	8/1936	Cowan .....	D7/536
D100,852 S	*	8/1936	Cowan .....	D7/536
2,770,956 A	*	9/1956	Achtziger .....	215/10
D186,037 S	*	9/1959	Stageberg .....	D7/536
3,224,629 A	*	12/1965	Cummings .....	220/710.5
3,313,447 A	*	4/1967	Spencer .....	220/719
D208,319 S	*	8/1967	Manseau .....	D7/515
D209,308 S	*	11/1967	Schilling .....	D7/523
D224,623 S	*	8/1972	Ketcham et al. ....	D7/536
D246,494 S	*	11/1977	Jensen .....	D7/535
D288,270 S	*	2/1987	Winterling .....	D7/536

(Continued)

**OTHER PUBLICATIONS**

No. 8171, 1¼oz Glass, Monongah Glass Co. Apr. 1920, p. 137.\*

No. 700 2¼oz Non-Nesting Tumblers, Bryce Bros. 1916 Catalog, p 48.\*

\* cited by examiner

*Primary Examiner*—M. N. Pandozzi

(74) *Attorney, Agent, or Firm*—Nath & Associates PLLC; Gregory B. Kang; Derek Richmond

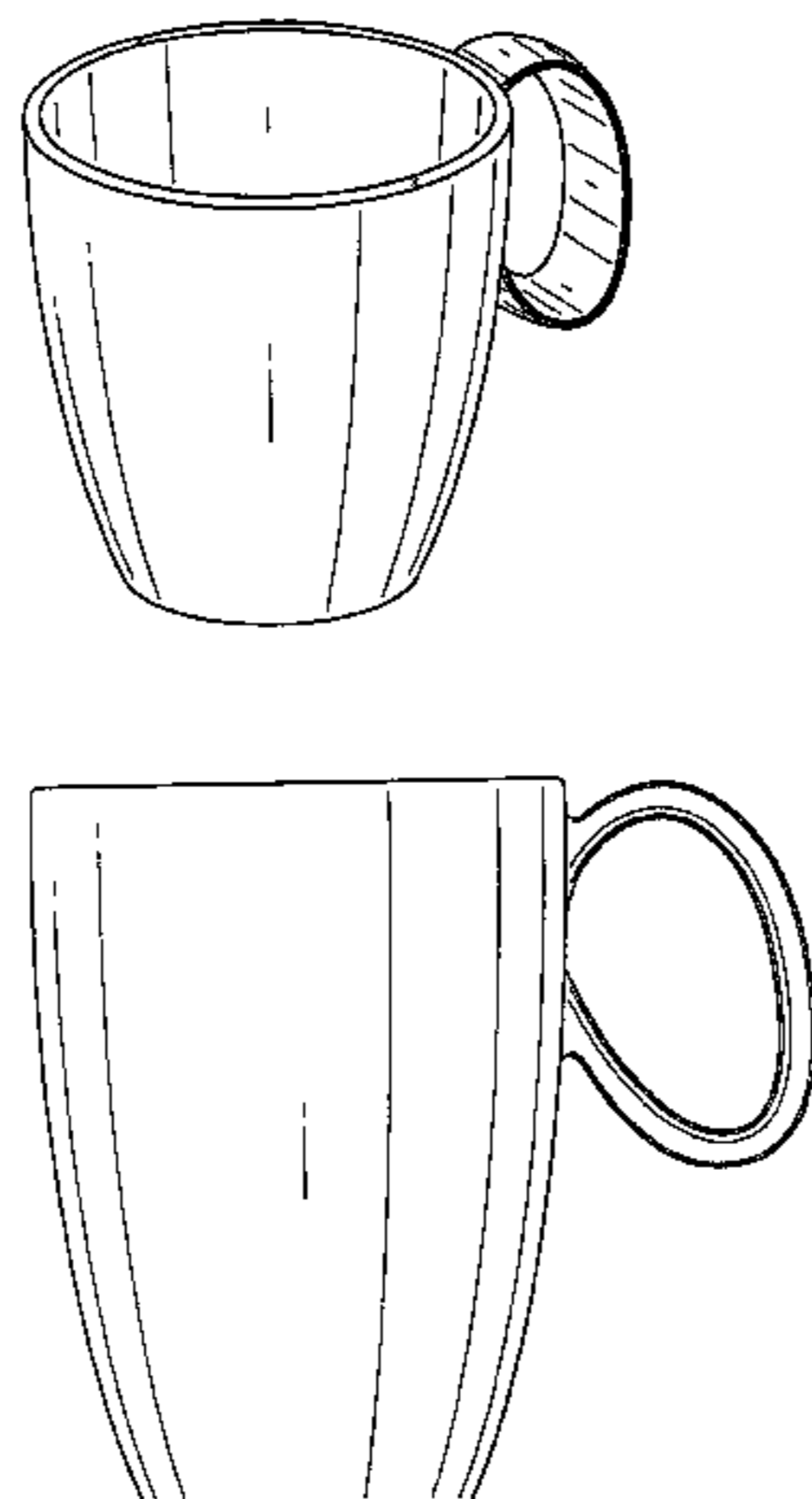
(57) **CLAIM**

The ornamental design for a cup/mug, as shown and described.

**DESCRIPTION**

FIG. 1 is an oblique perspective view of a first embodiment of the cup/mug;  
FIG. 2 is a front view thereof, as shown in FIG. 1;  
FIG. 3 is a back side view thereof;  
FIG. 4 is a right side view thereof;  
FIG. 5 is a left side view thereof;  
FIG. 6 is a top view thereof;  
FIG. 7 is a bottom view thereof;  
FIG. 8 is an oblique perspective view of a second embodiment of the cup/mug;  
FIG. 9 is a front view thereof, as shown in FIG. 8;  
FIG. 10 is a back side view thereof;  
FIG. 11 is a right side view thereof;  
FIG. 12 is a left side view thereof;  
FIG. 13 is a top view thereof;  
FIG. 14 is a bottom view thereof;  
FIG. 15 is an oblique perspective view of a third embodiment of the cup/mug;  
FIG. 16 is a front view thereof, as shown in FIG. 15;  
FIG. 17 is a back side view thereof;  
FIG. 18 is a right side view thereof;  
FIG. 19 is a left side view thereof;  
FIG. 20 is a top view thereof; and,  
FIG. 21 is a bottom view thereof.

**1 Claim, 21 Drawing Sheets**



# US D522,312 S

Page 2

---

## U.S. PATENT DOCUMENTS

D318,980 S *	8/1991	Unger .....	D7/536	D459,948 S *	7/2002	Cote et al. ....	D7/536
D406,012 S *	2/1999	Indekeu .....	D7/536	D482,239 S *	11/2003	Bodum .....	D7/536
6,116,772 A *	9/2000	DiGiacomo et al. ....	366/130	D485,730 S *	1/2004	Thun .....	D7/511
D445,646 S *	7/2001	Indekeu .....	D7/536	D488,028 S *	4/2004	Janky et al. ....	D7/536
D447,006 S *	8/2001	Thun .....	D7/542	D499,609 S *	12/2004	Bodum .....	D7/536
6,401,985 B1 *	6/2002	DeMars .....	222/209				

\* cited by examiner

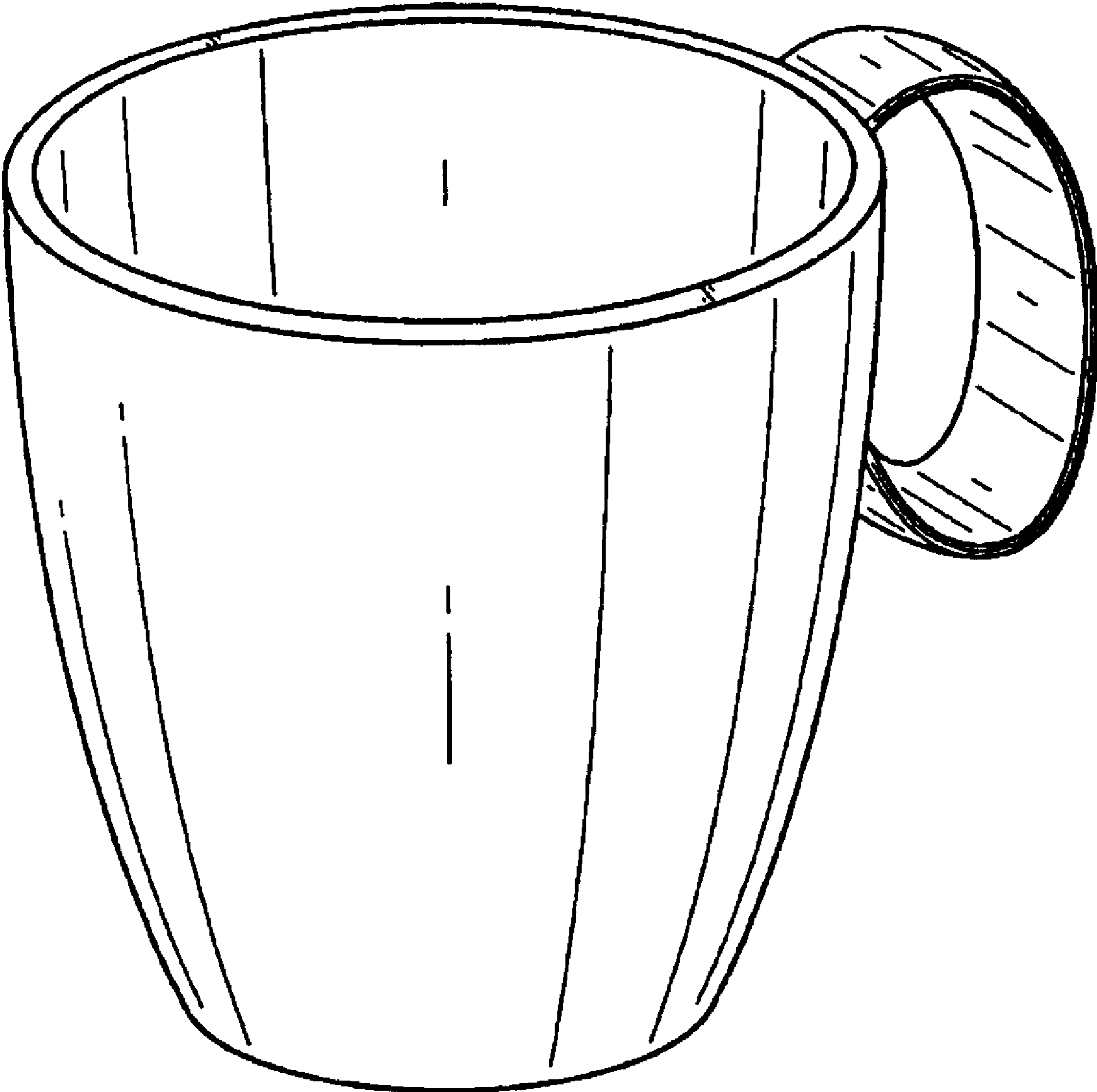


FIG. 1

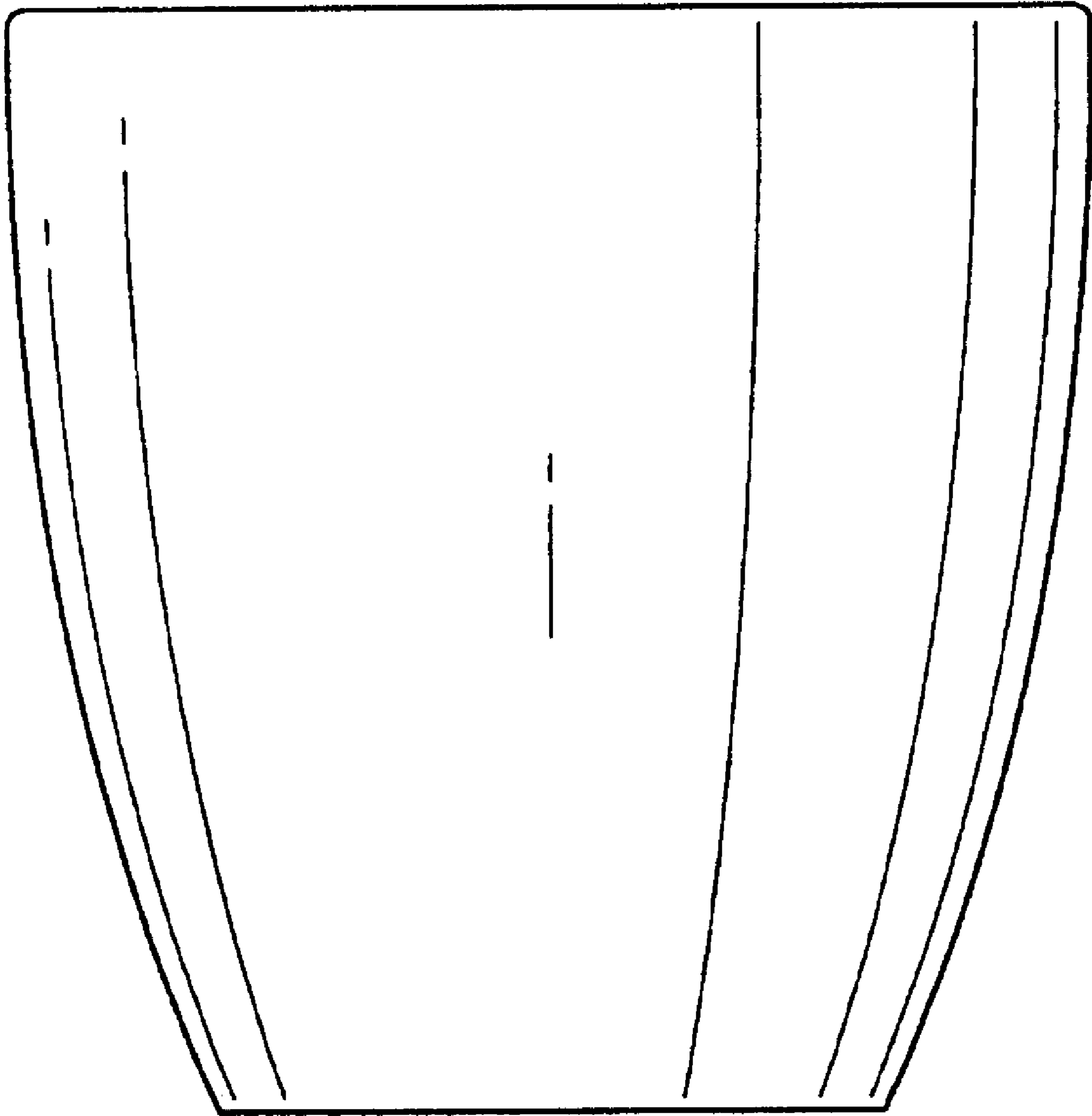


FIG. 2

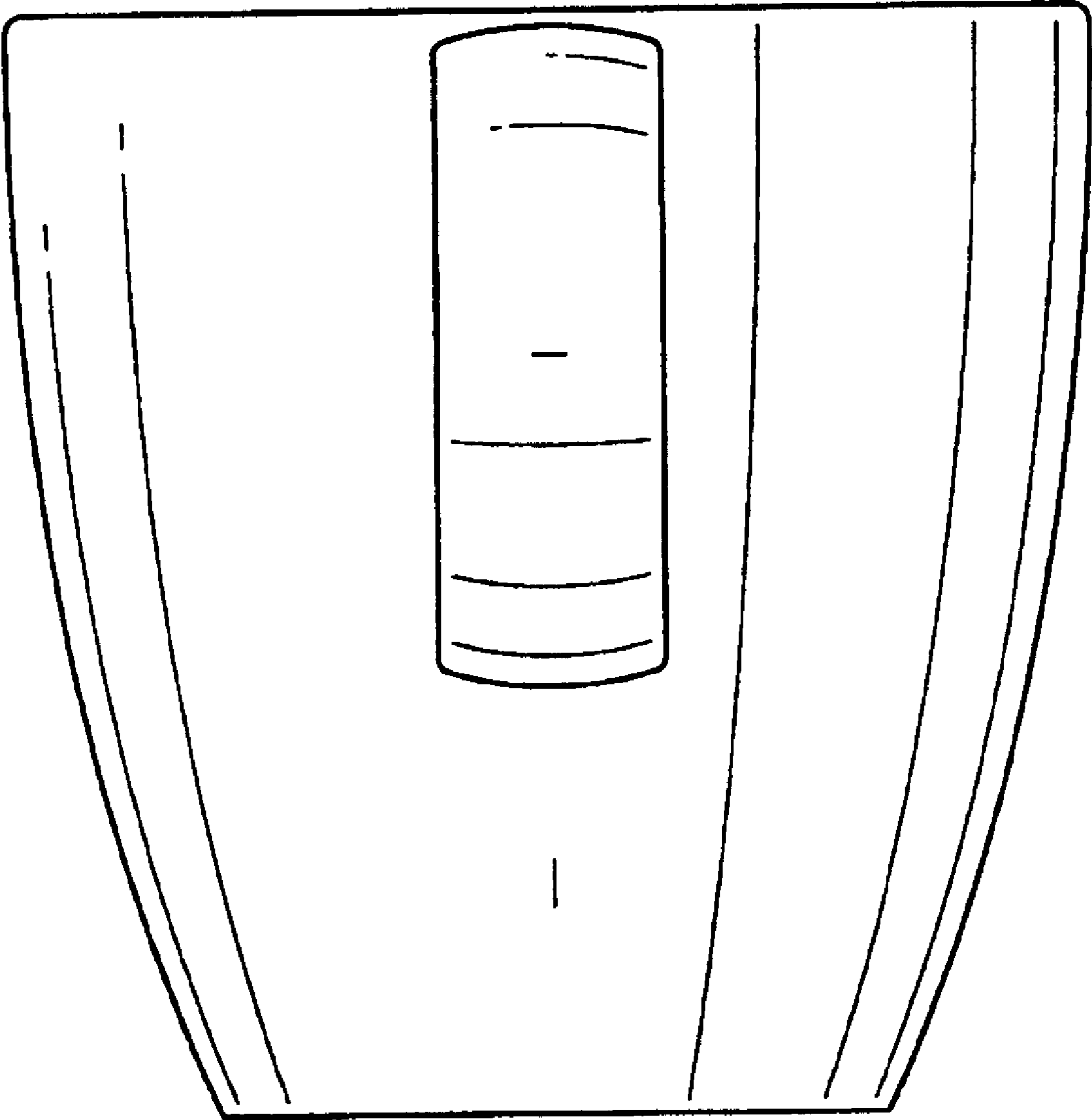


FIG. 3

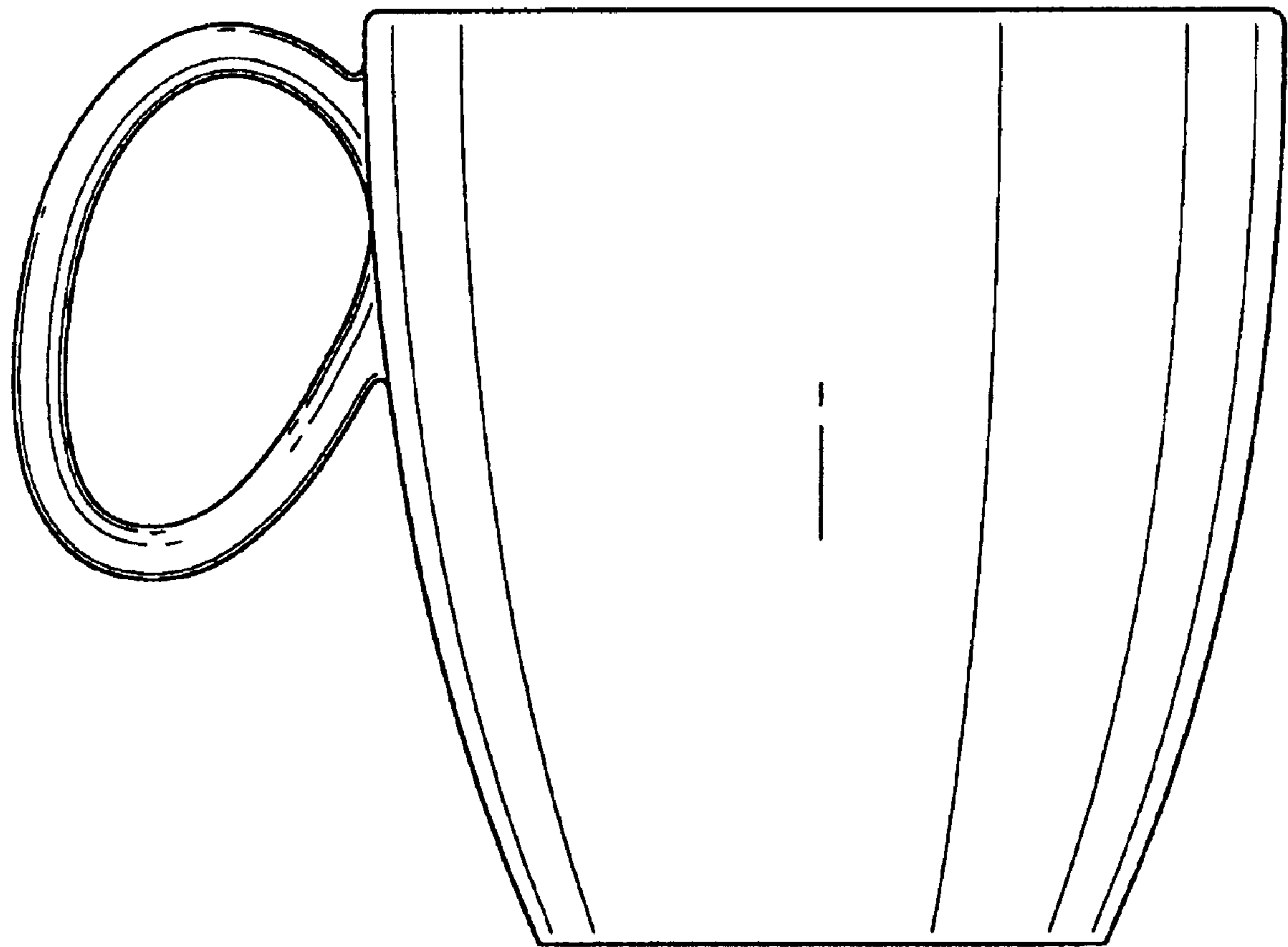


FIG. 4

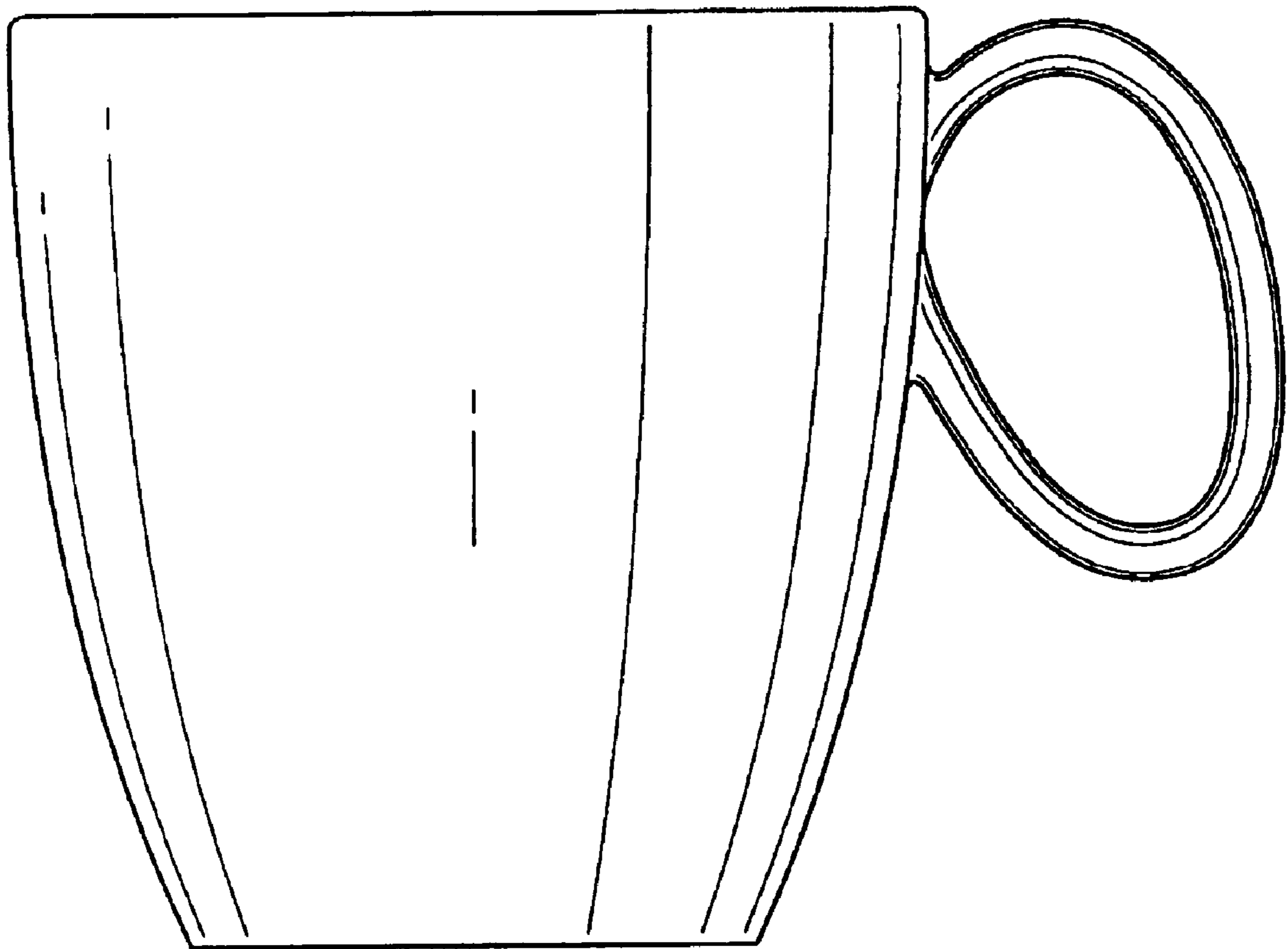


FIG. 5

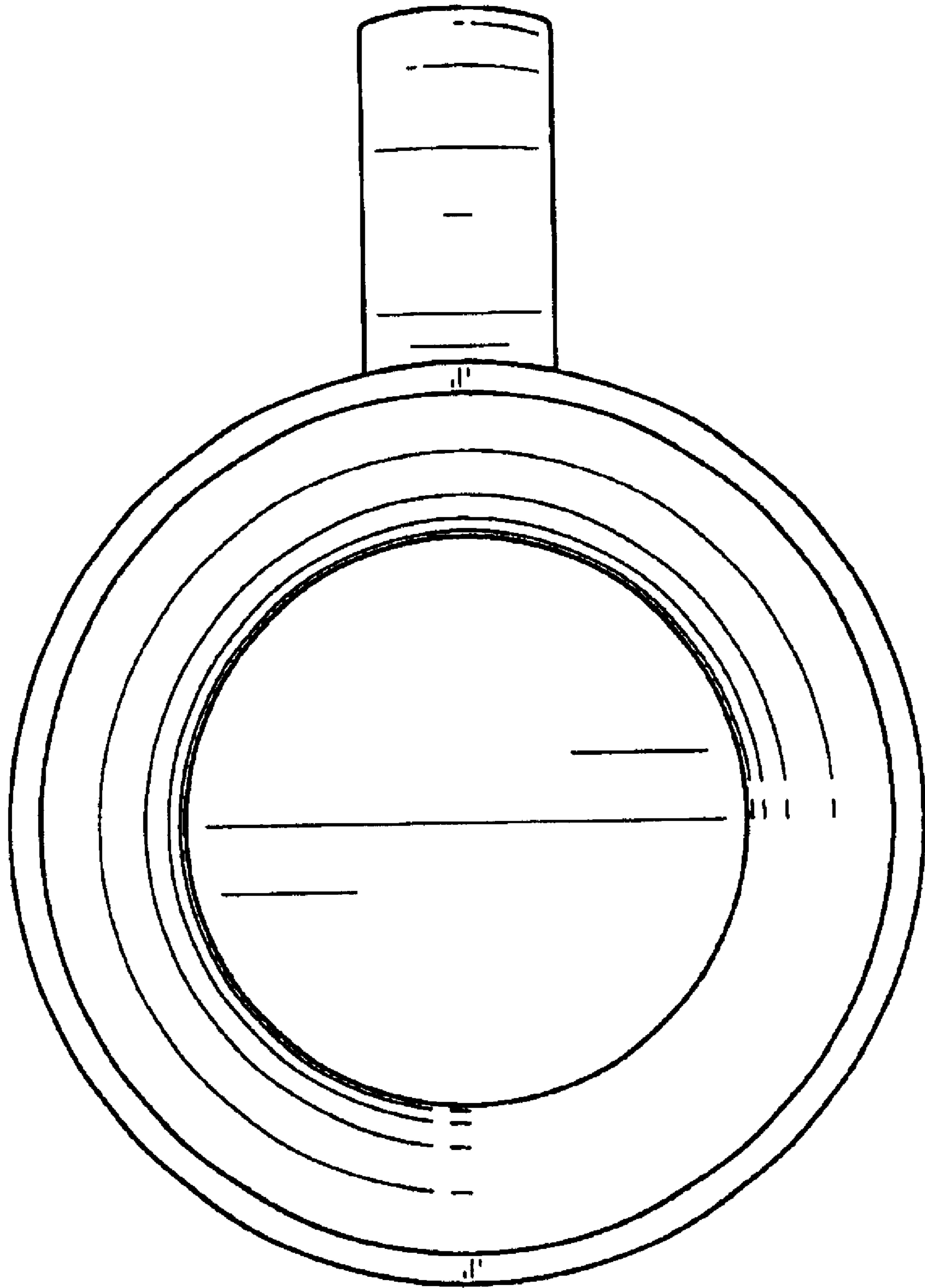


FIG. 6



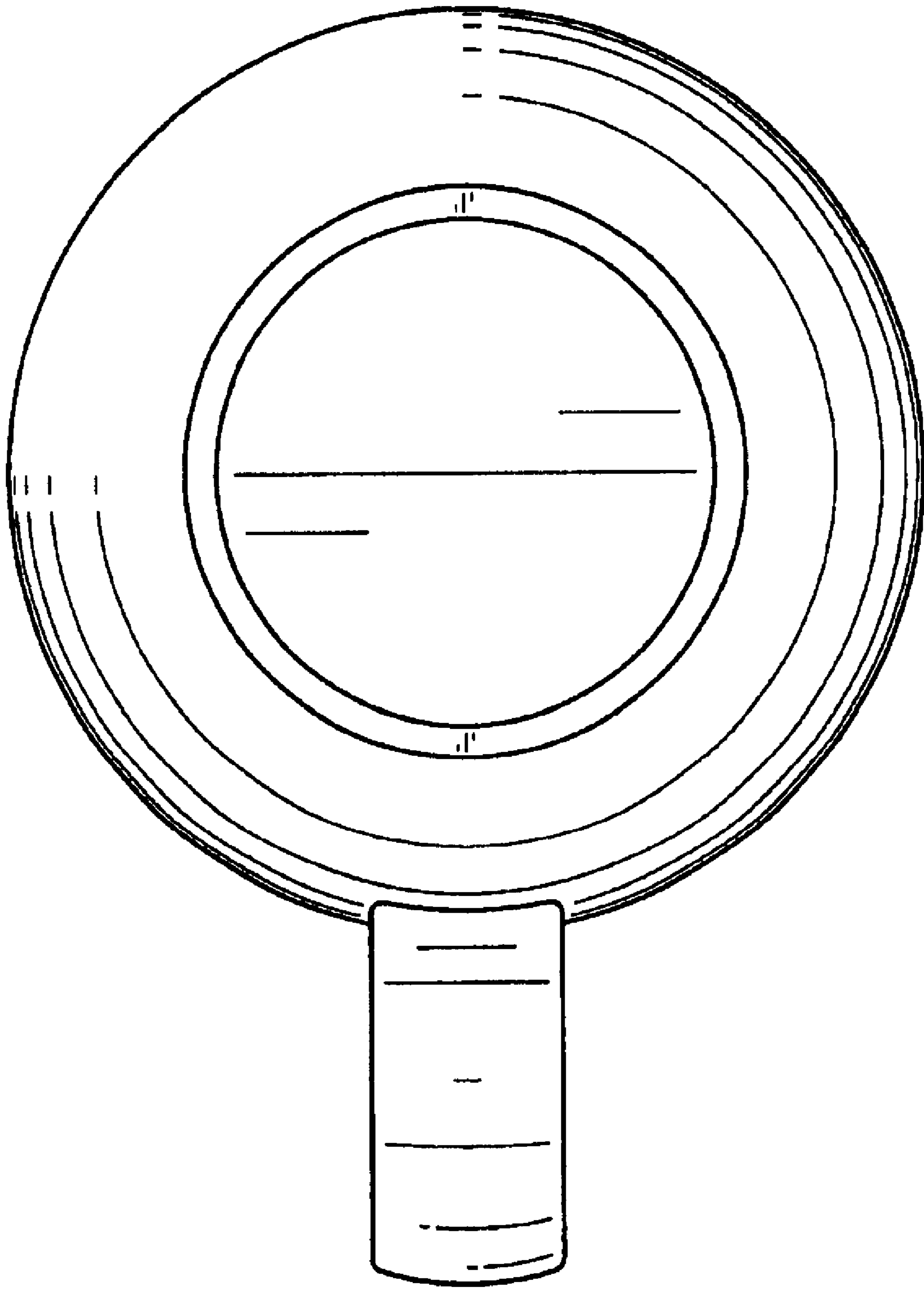


FIG. 7

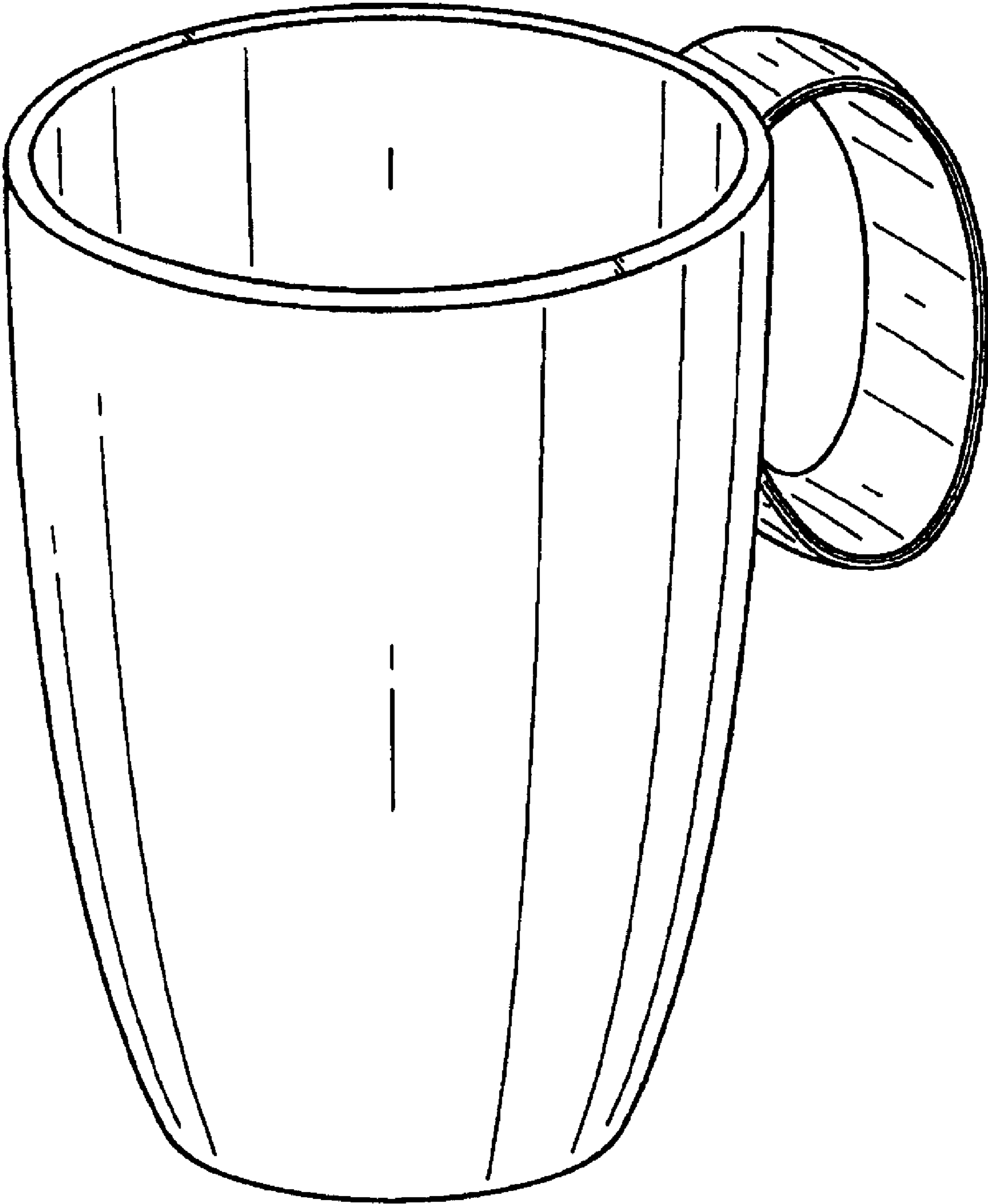


FIG. 8

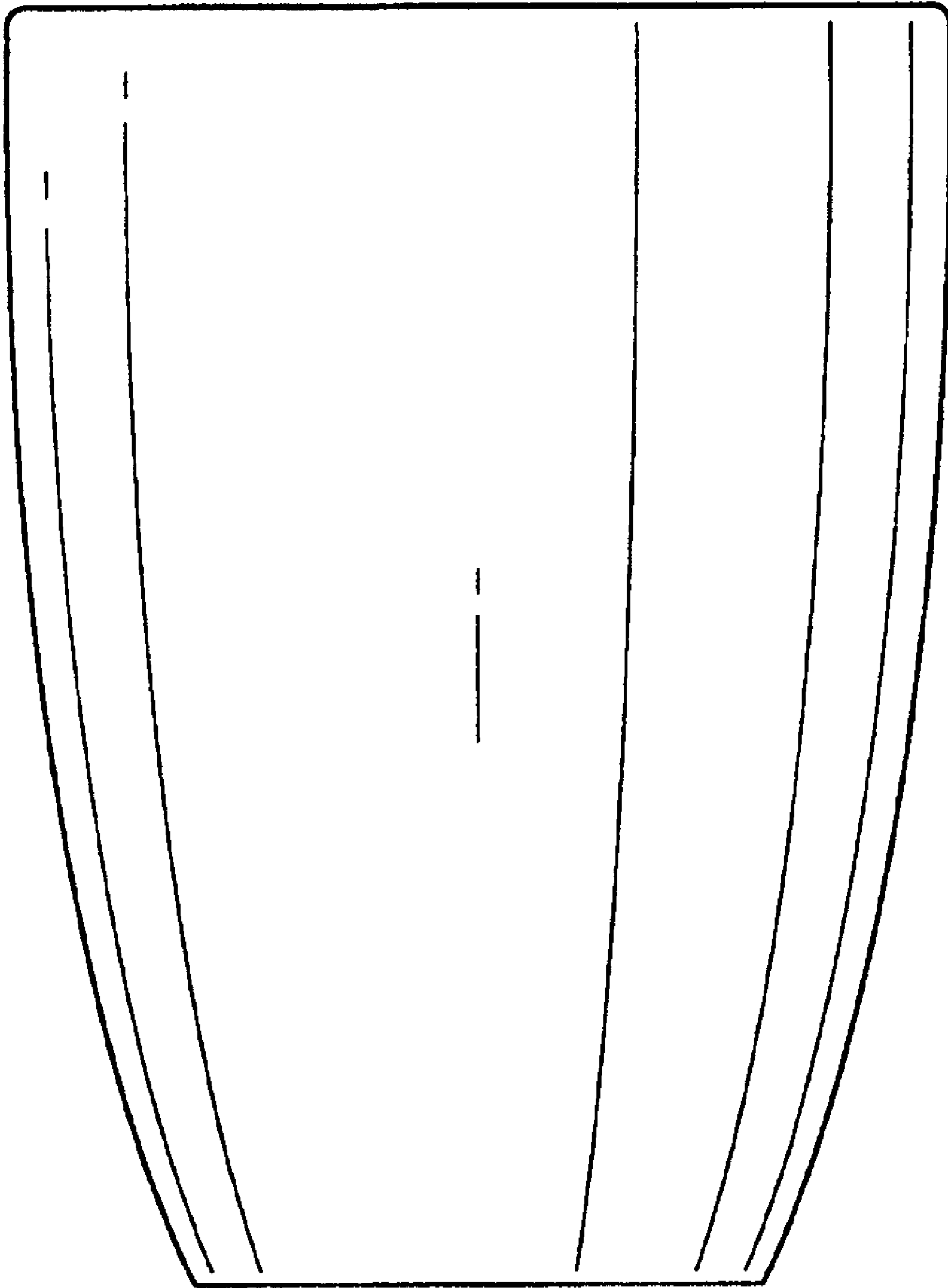


FIG. 9

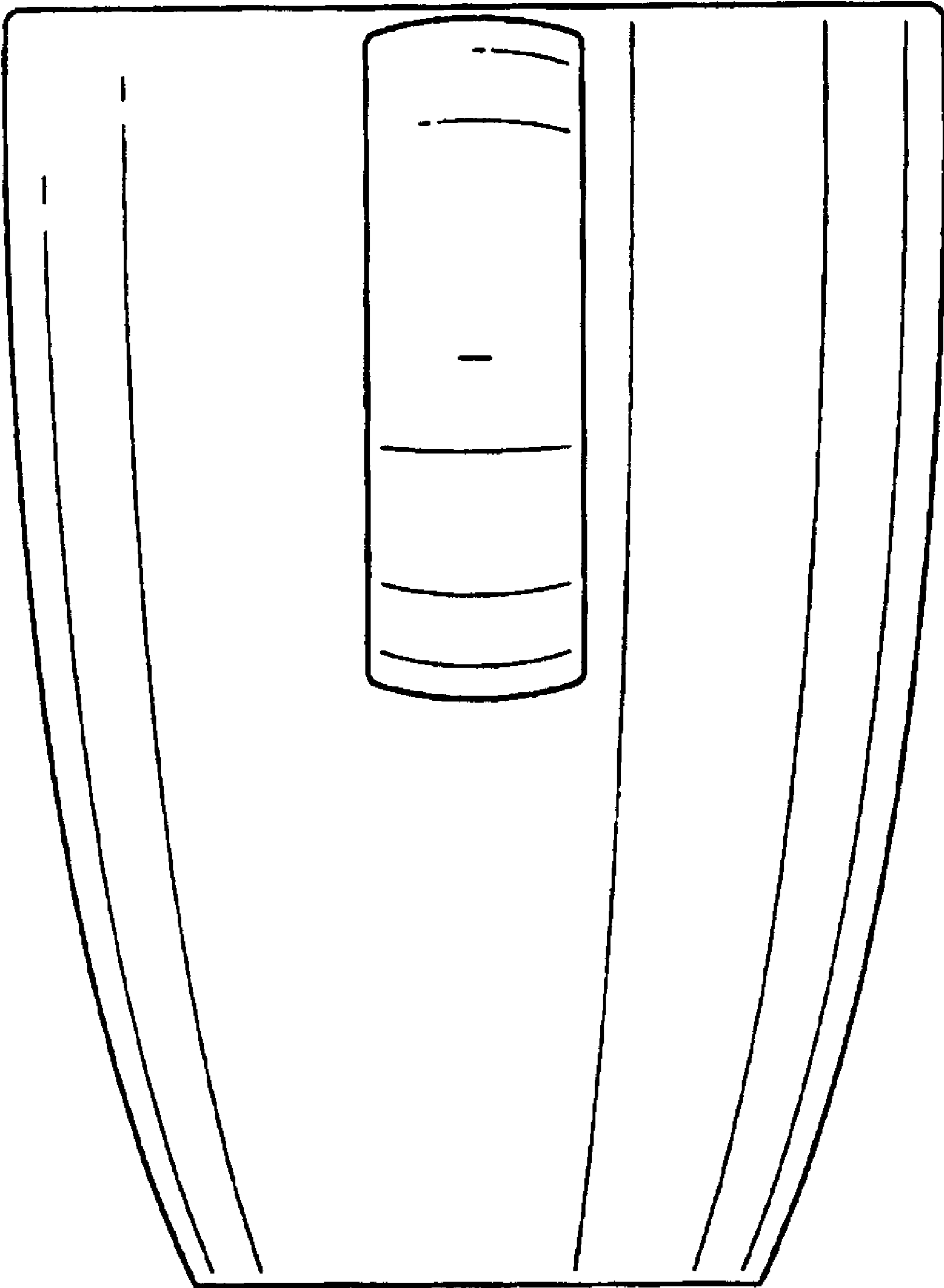


FIG. 10

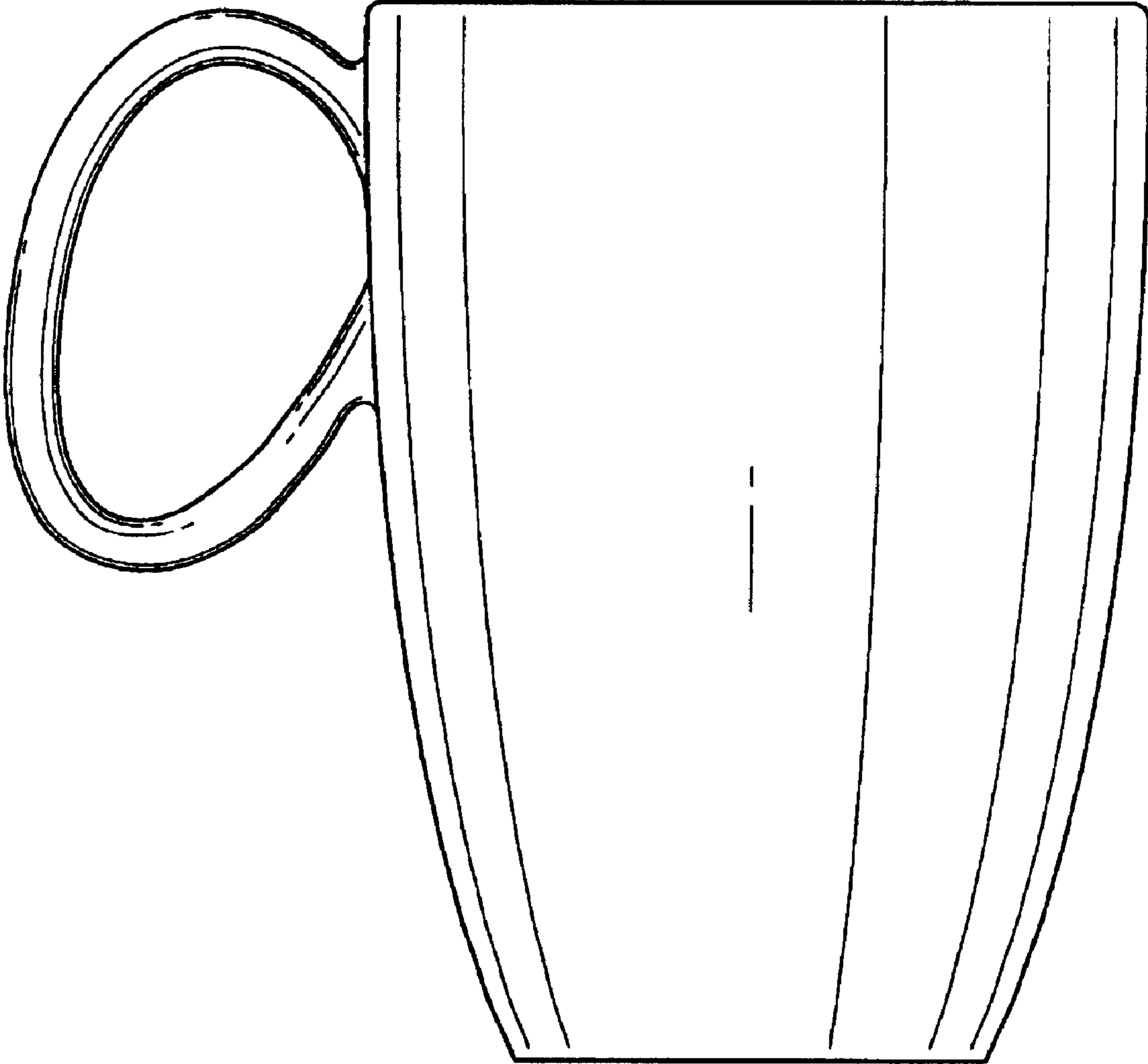


FIG. 11

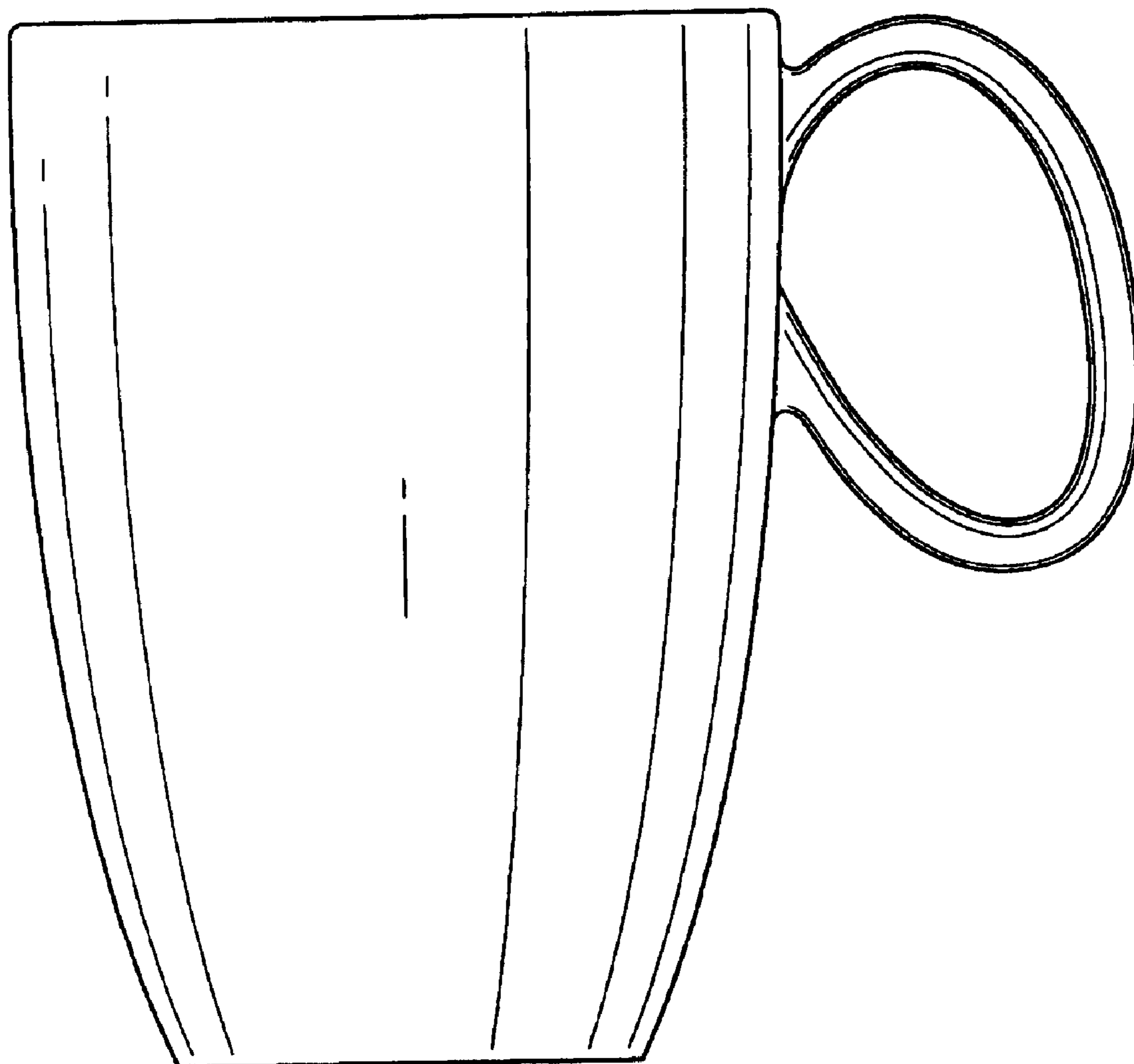


FIG. 12

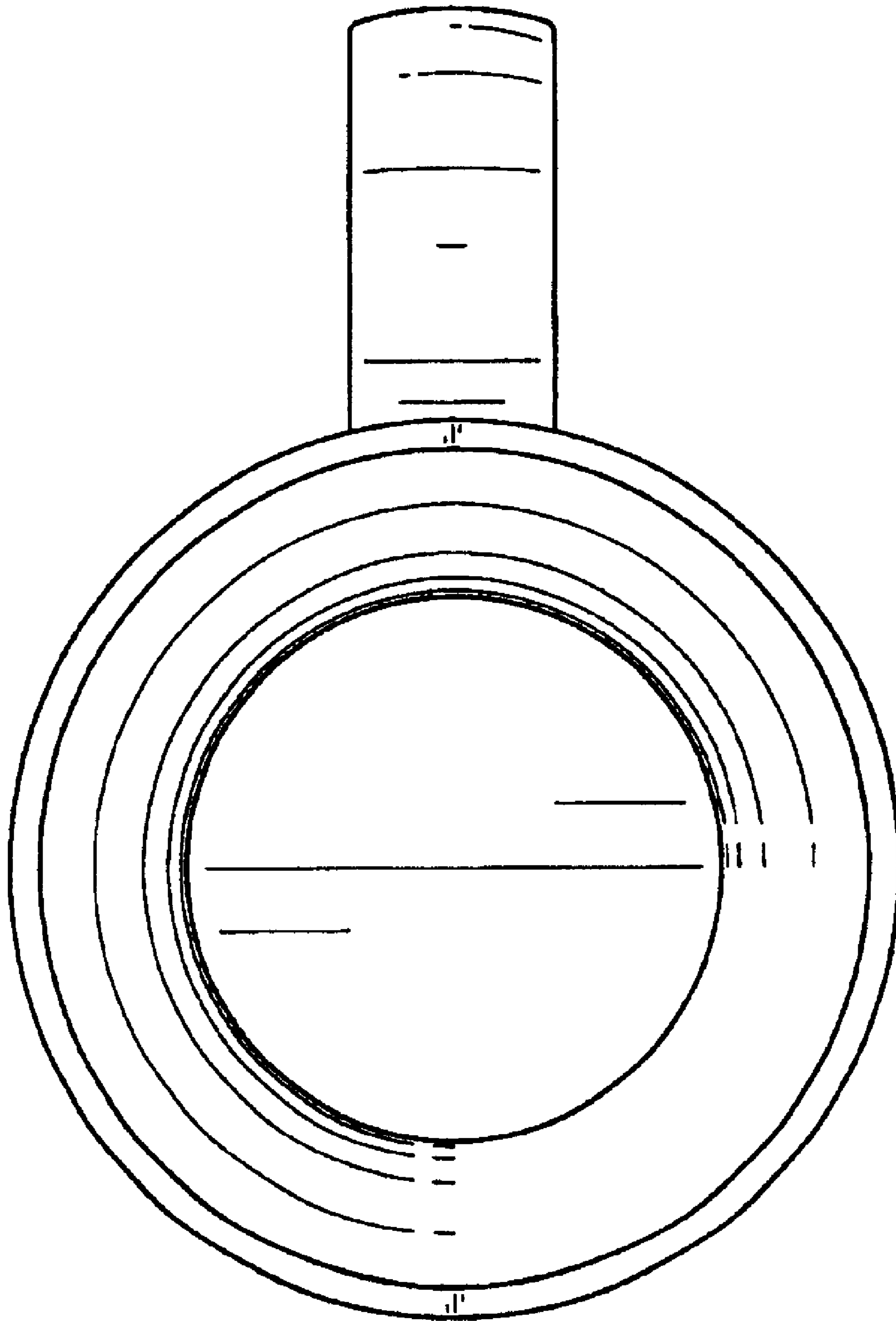


FIG. 13

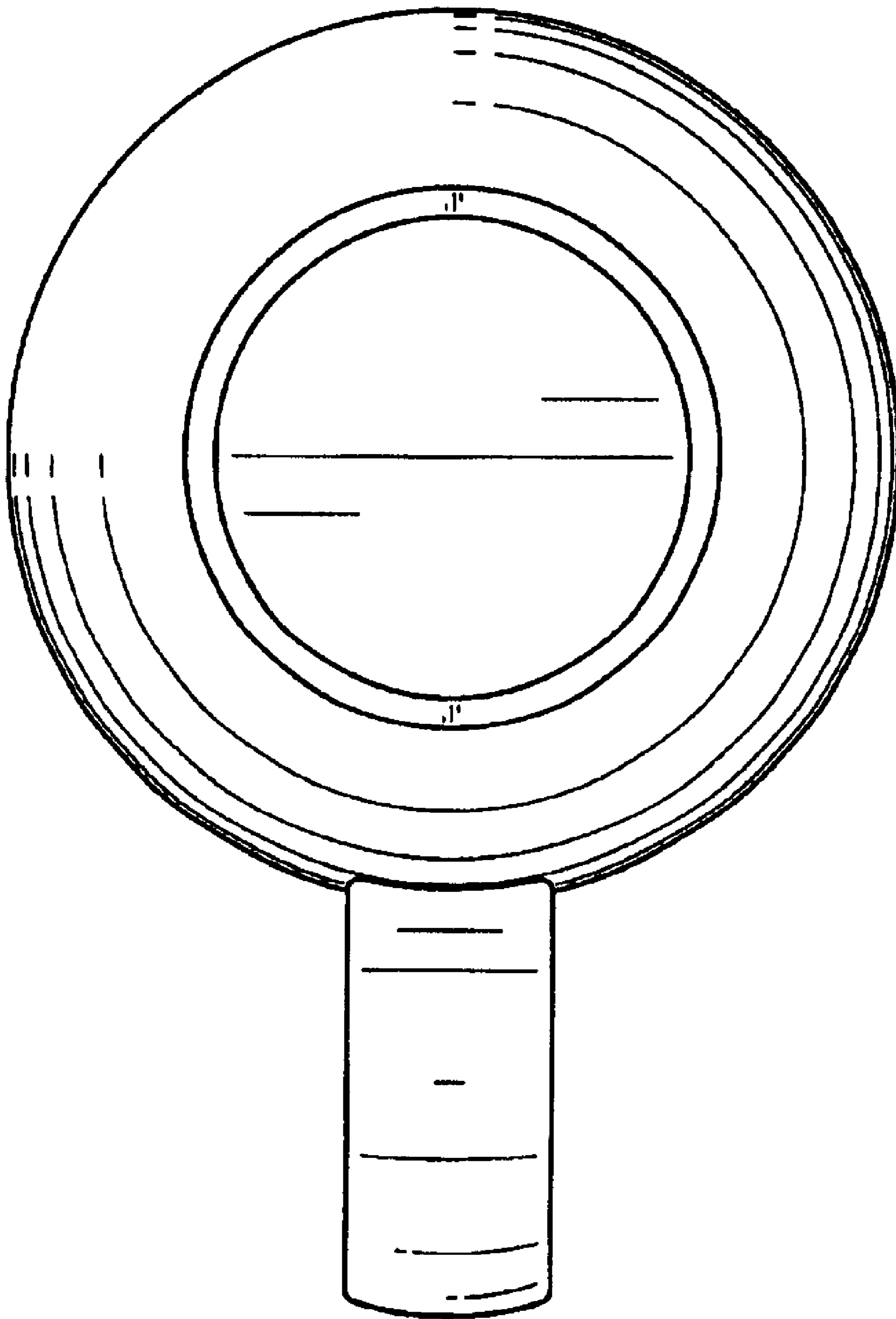


FIG. 14



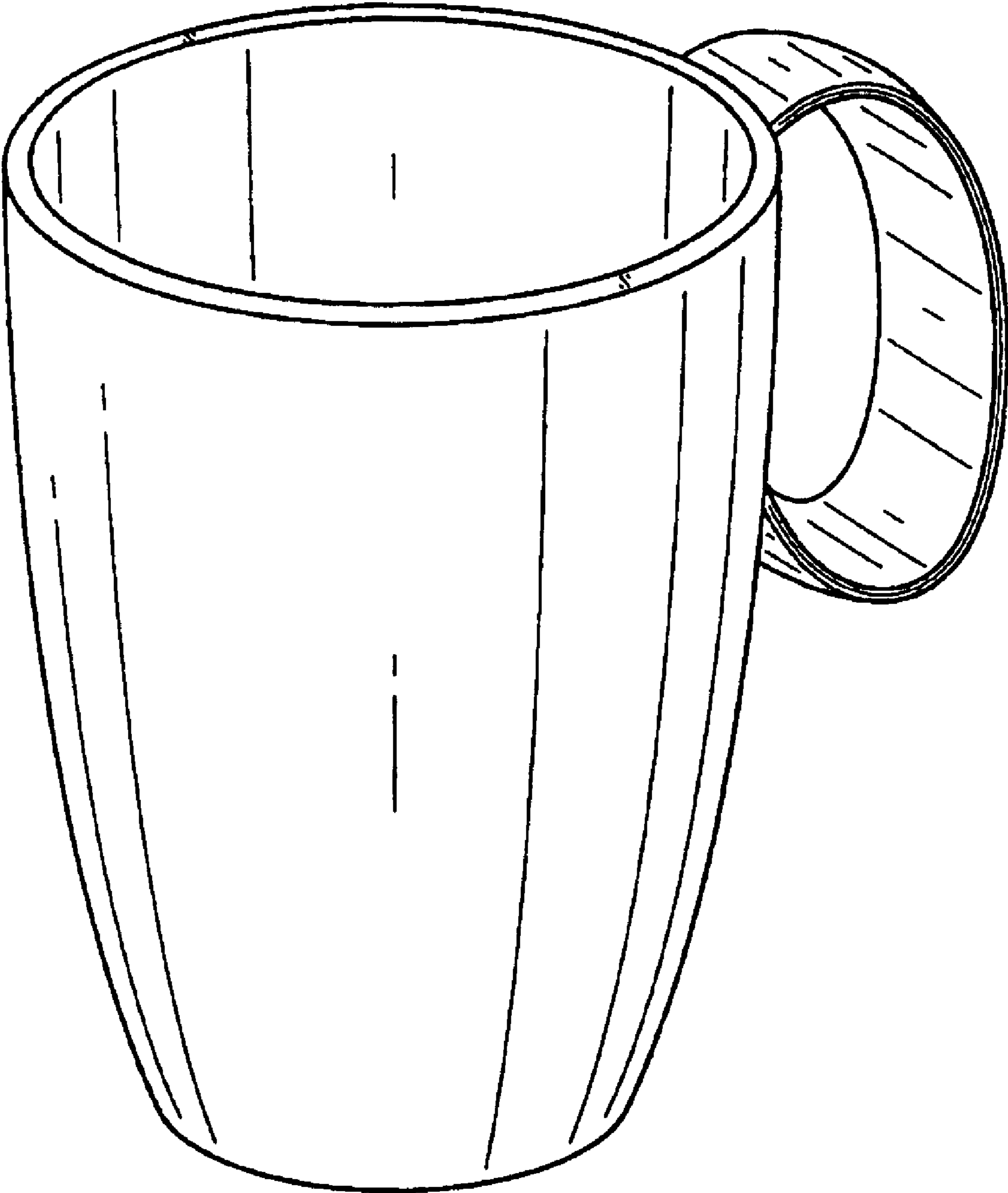


FIG. 15

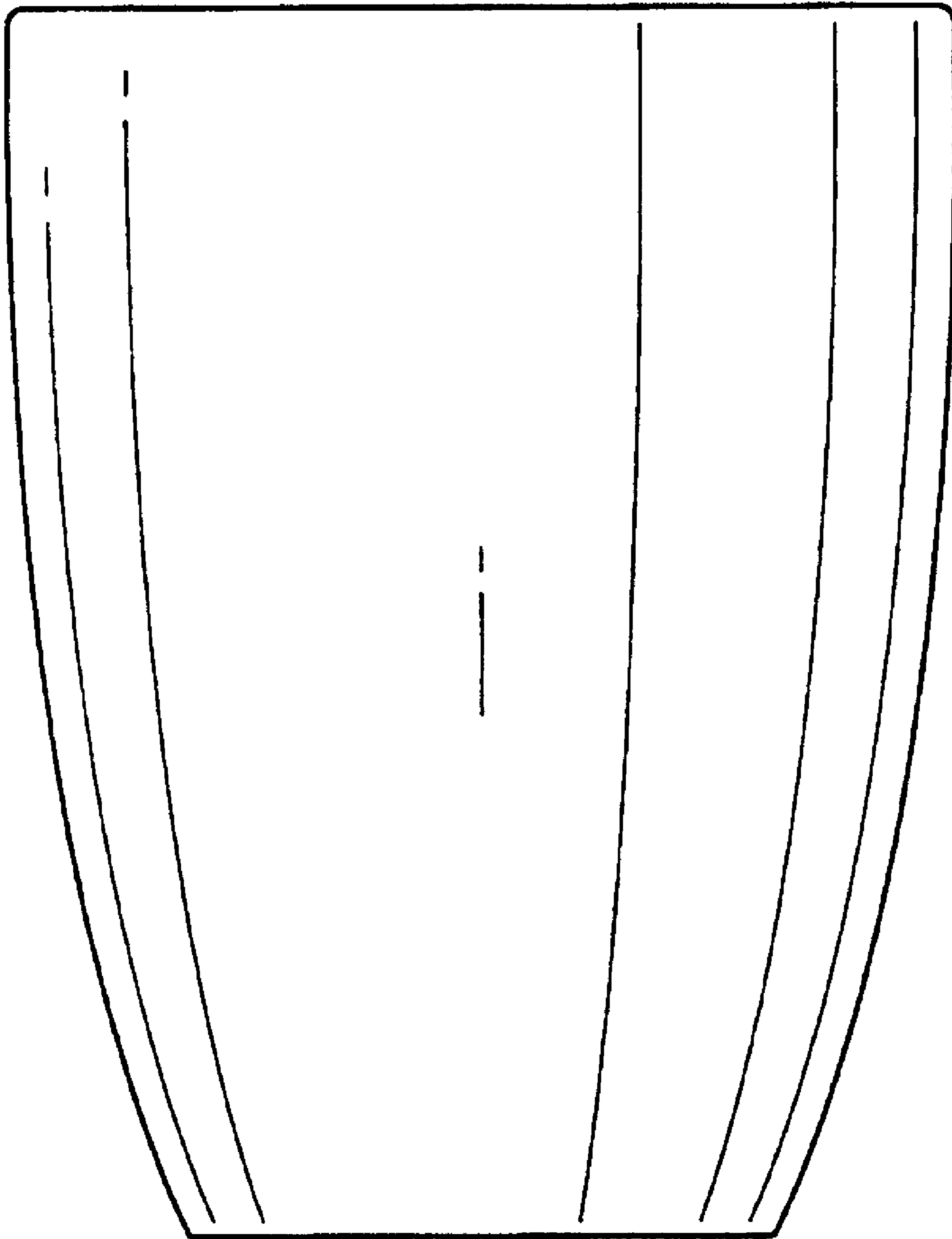


FIG. 16

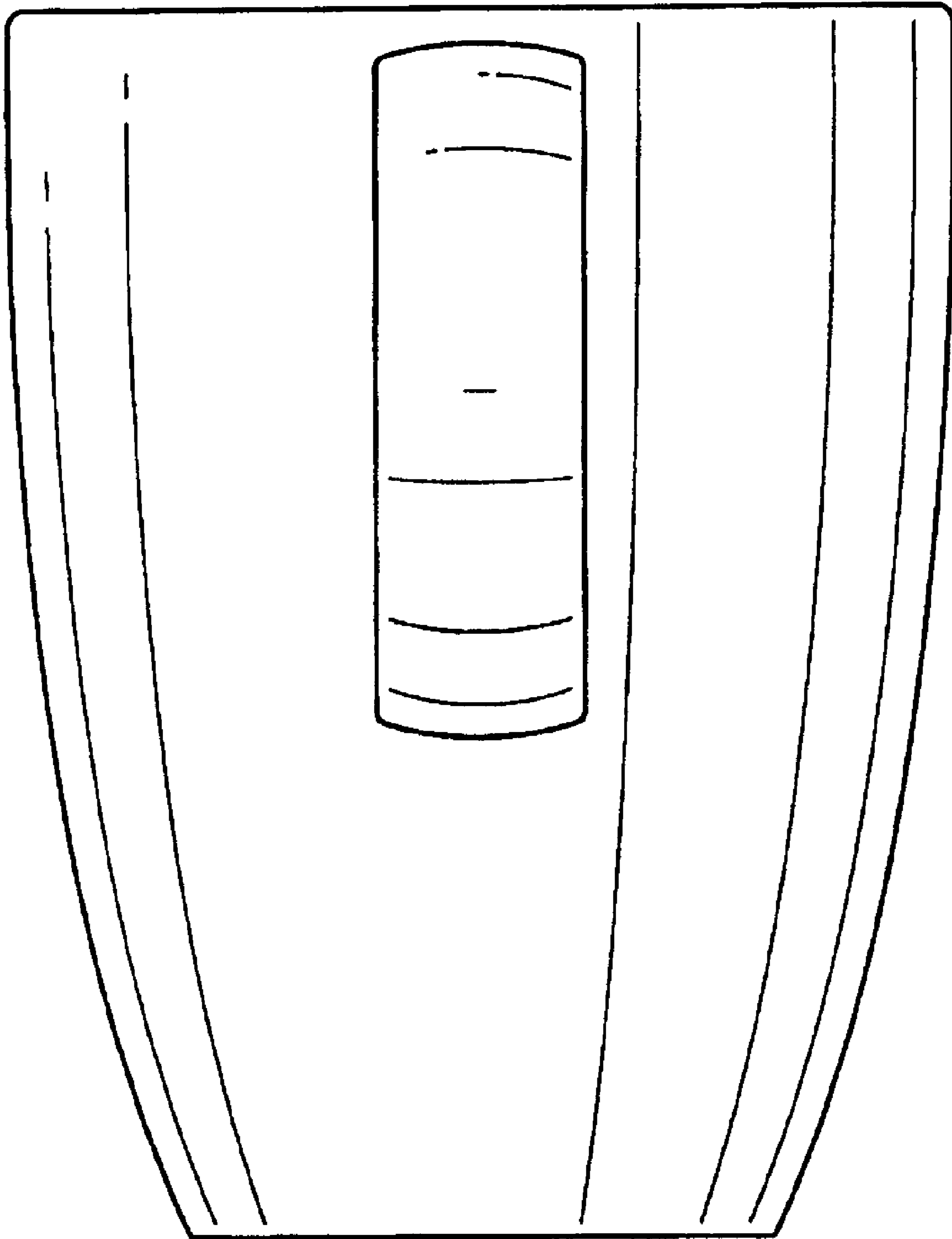


FIG. 17

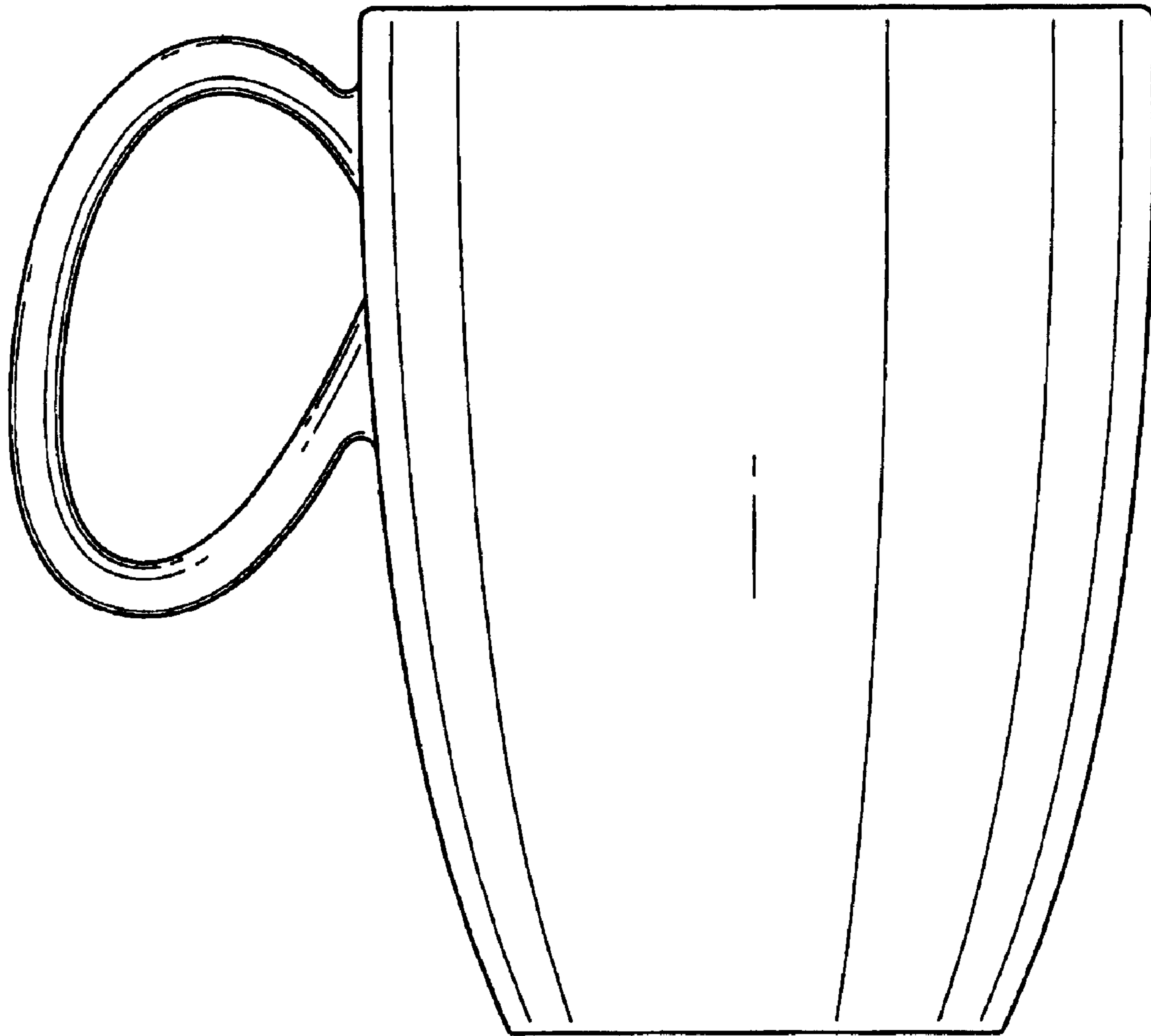


FIG. 18

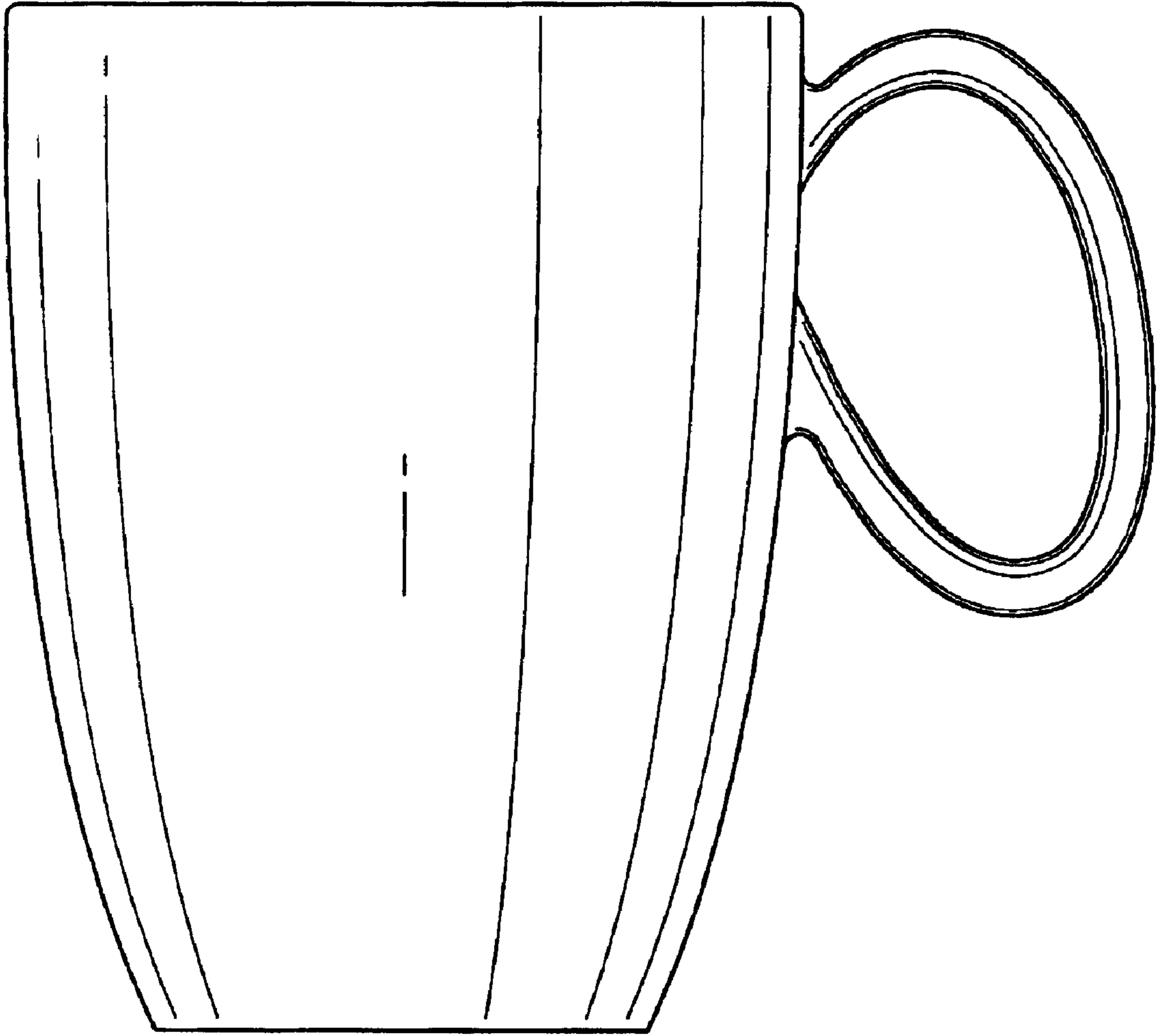


FIG. 19

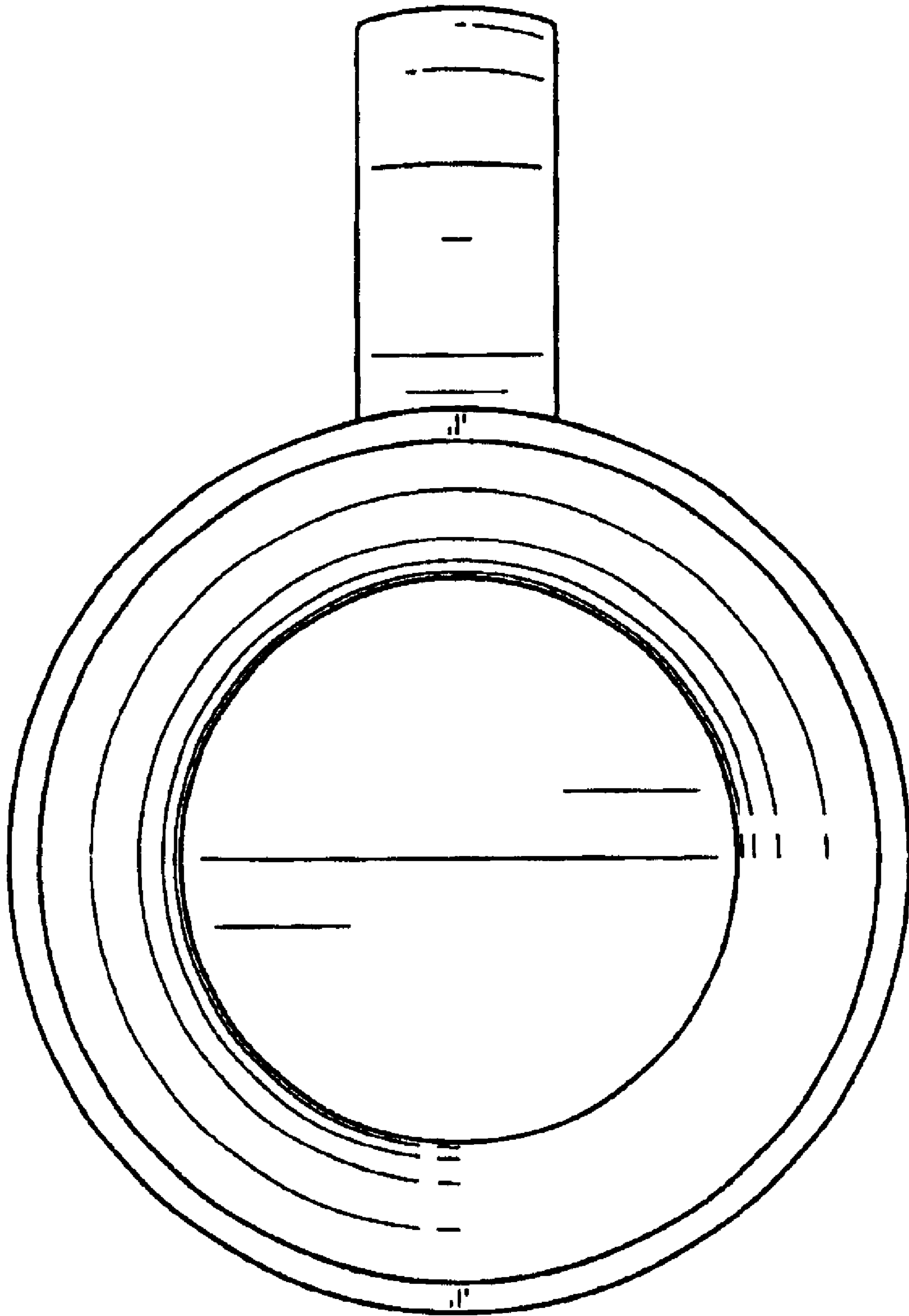


FIG. 20

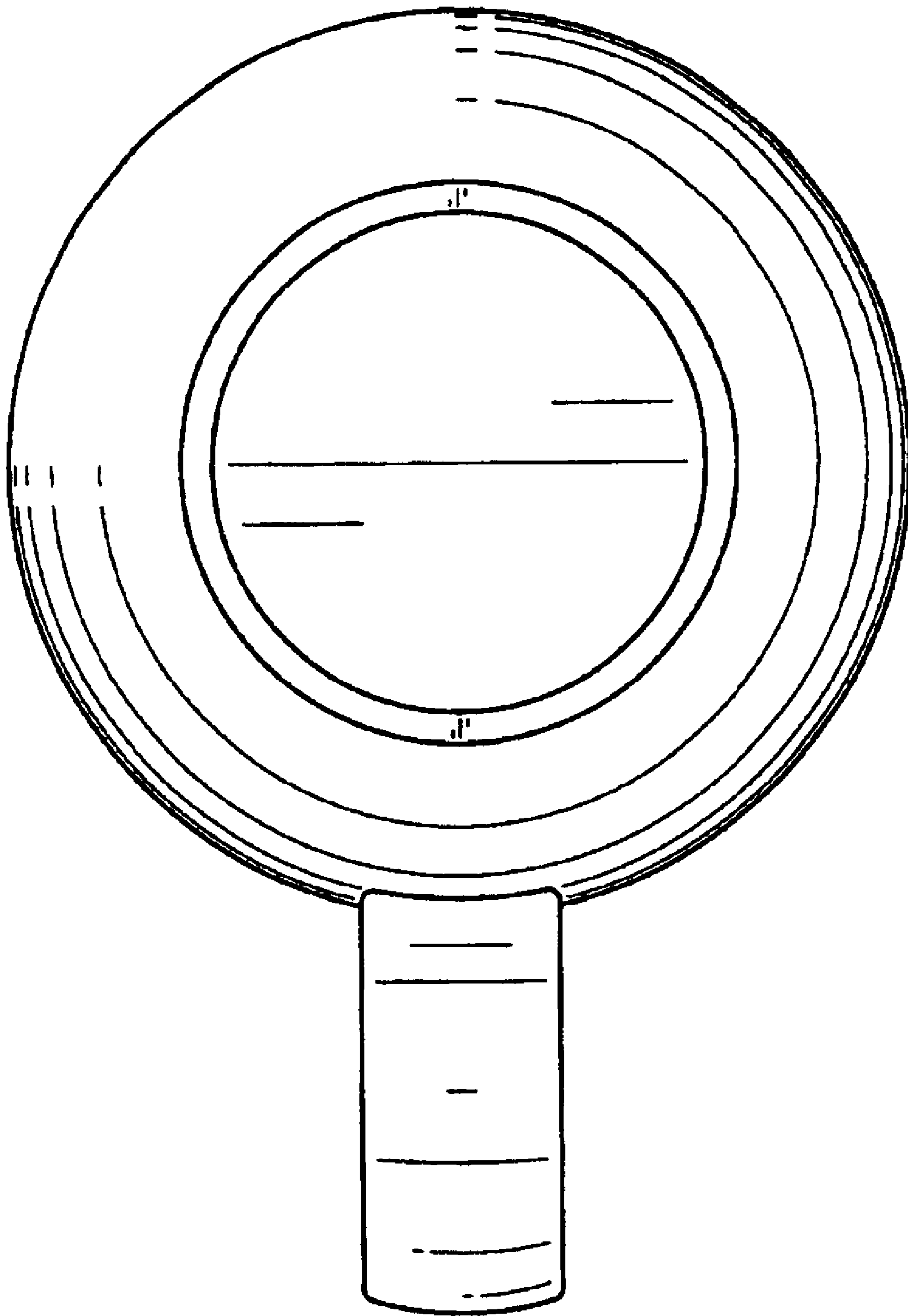


FIG. 21