



US00D522310S

(12) **United States Design Patent**
Nipke

(10) **Patent No.:** **US D522,310 S**
(45) **Date of Patent:** **** Jun. 6, 2006**

- (54) **GRILL CART SHELF SUPPORT**
 - (75) Inventor: **Mike Nipke**, Grandville, MI (US)
 - (73) Assignee: **Vendor Development Group**, Grand Rapids, MI (US)
 - (**) Term: **14 Years**
 - (21) Appl. No.: **29/205,235**
 - (22) Filed: **May 10, 2004**
 - (51) **LOC (8) Cl.** **07-02**
 - (52) **U.S. Cl.** **D7/402**
 - (58) **Field of Classification Search** D7/332-337, D7/402-405; 126/25 R, 25 A, 25 AA, 41 R, 126/333; 211/134; 248/201, 351, 213.2, 235, 248/239, 247, 250; D8/380-381; D6/572, D6/574
- See application file for complete search history.

- 2,512,223 A 6/1950 Contiguglia
- D163,090 S 5/1951 Campbell
- D165,497 S 12/1951 Waas
- D165,998 S 2/1952 Pollard
- 2,600,234 A 6/1952 Foley
- 2,621,586 A 12/1952 Roney
- 2,641,243 A 6/1953 Goss
- 2,666,425 A 1/1954 Hasting, Jr.
- D171,639 S 3/1954 Clemens, Jr.
- 2,728,334 A 12/1955 Paolella
- 2,746,378 A 5/1956 Lang

(Continued)

(56) **References Cited**

U.S. PATENT DOCUMENTS

- 101,177 A 3/1870 Stevenson
- RE4,652 E 11/1871 Roe
- 479,652 A 7/1892 Marcee
- 678,024 A 7/1901 Norpis
- 758,472 A 4/1904 Reams
- 1,055,311 A 3/1913 Blount
- D44,522 S 8/1913 Curtiss
- 1,394,228 A 10/1921 Sheridan
- 1,460,928 A 7/1923 Tilden
- 1,462,578 A 7/1923 Kashinsky
- 1,596,367 A 8/1926 Miller
- 1,693,680 A * 12/1928 Martin 403/230
- 1,783,183 A 12/1930 Dibble
- 1,799,054 A * 3/1931 McSpadden 403/230
- 2,032,221 A 2/1936 Myers
- 2,182,663 A 12/1939 Eby et al.
- 2,274,433 A 2/1942 Schulz
- 2,314,791 A 3/1943 Jones
- 2,347,980 A 5/1944 Apfelbaum
- D139,850 S 12/1944 Frenning
- 2,431,905 A 12/1947 Anicetti
- 2,511,594 A 6/1950 Loffredo

OTHER PUBLICATIONS

Meco Owner's Manual, copyright 1995, "Meco Swinger Grill".
Merchandising, vol. 6, Jan. 1981, p. 113, "Structo Barbecue Grill".

Primary Examiner—Ruth McInroy
(74) *Attorney, Agent, or Firm*—McAndrews, Held & Malloy

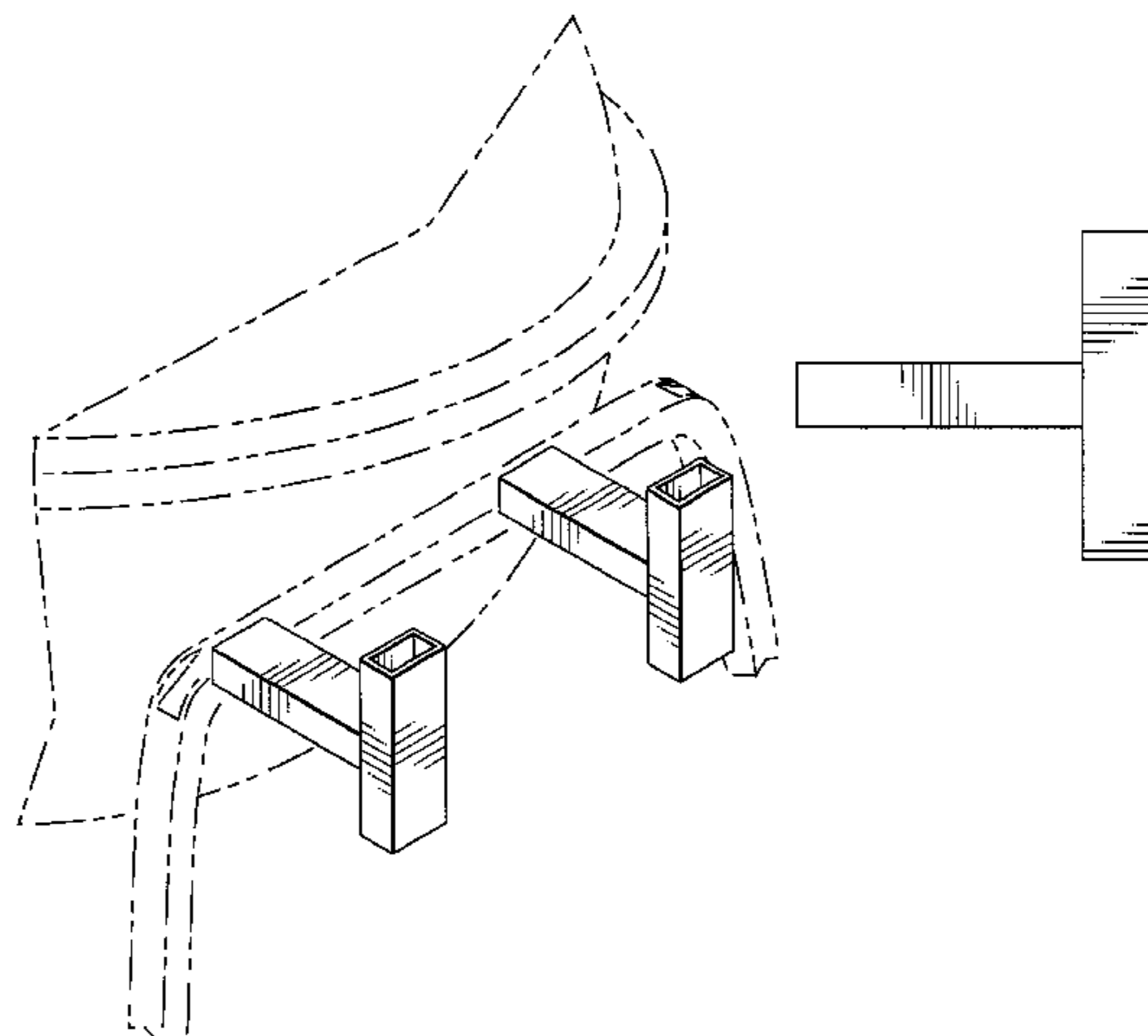
(57) **CLAIM**

The ornamental design for the grill cart shelf support, as shown and described.

DESCRIPTION

FIG. 1 is an in situ perspective view of a grill cart shelf support according to the present invention; FIG. 2 is another in situ perspective view of the shelf support of FIG. 1; FIG. 3 is another perspective view of the shelf support of FIG. 1; FIG. 4 is a rear view of the shelf support of FIG. 1; FIG. 5 is a front view of the shelf support of FIG. 1; FIG. 6 is a left-side view of the shelf support of FIG. 1; FIG. 7 is a bottom view of the shelf support of FIG. 1; and, FIG. 8 is a top view of the shelf support of FIG. 1. FIGS. 3-8 are shown separate for clarity of illustration. The details shown in broken lines form no part of the claimed design.

1 Claim, 3 Drawing Sheets



US D522,310 S

U.S. PATENT DOCUMENTS					
D179,345	S	12/1956 Henry	D243,309	S	2/1977 Reunanen
2,780,392	A	2/1957 Nonhof	4,008,971	A	2/1977 Wah et al.
2,787,995	A	4/1957 Alter	4,034,662	A	7/1977 McLane
2,886,386	A	5/1959 Spitzer	4,083,641	A	4/1978 Sado
2,920,614	A	1/1960 Phelps	D250,317	S	11/1978 Simmons
2,932,479	A	4/1960 Leach	D251,230	S	3/1979 Adams
D188,879	S	9/1960 Gauss et al.	D252,248	S	7/1979 Huff
D189,682	S	1/1961 Bloomfield	4,192,283	A	3/1980 Kridler
D192,199	S	2/1962 Watson et al.	4,209,006	A	6/1980 Marsalko
3,025,848	A	3/1962 Malgesini	D255,863	S	7/1980 Futch
D193,163	S	7/1962 Levi	4,227,510	A	10/1980 Frazier et al.
3,046,970	A	7/1962 Seaman	4,273,096	A	6/1981 Hannebaum
3,073,263	A	1/1963 Wynkoop	4,281,633	A	8/1981 Wackerman
D196,552	S	10/1963 Mayer	D260,832	S	* 9/1981 Verdesca et al. D6/572
D196,996	S	11/1963 Kates	4,302,181	A	11/1981 Schlosser
3,111,337	A	11/1963 Kates	4,331,123	A	5/1982 Alles et al.
3,126,881	A	3/1964 Blotsky, Jr.	4,331,127	A	5/1982 Grosso
D198,822	S	8/1964 Lyemance	4,332,188	A	6/1982 Rhear
D200,137	S	1/1965 Hanna	4,332,235	A	6/1982 Hannebaum
3,167,642	A	1/1965 Reis	4,337,751	A	7/1982 Sampson et al.
3,200,806	A	8/1965 Goldstein	4,340,027	A	7/1982 Fuss
3,209,743	A	10/1965 Stewart et al.	4,353,347	A	10/1982 Seed
3,216,379	A	11/1965 Durfee	4,362,093	A	12/1982 Griscom
3,217,634	A	11/1965 Fox	4,382,432	A	5/1983 Lizdas
3,276,440	A	10/1966 Sazegar	4,390,002	A	6/1983 Daily, III
D207,567	S	5/1967 Helgeson	D269,758	S	7/1983 Braswell
D208,179	S	7/1967 King et al.	D269,839	S	7/1983 Givens, III
3,330,266	A	7/1967 Stephen	D270,988	S	10/1983 Anderson
3,380,444	A	4/1968 Stalker	4,453,530	A	6/1984 Schlosser
3,385,281	A	5/1968 O'Russa	4,458,585	A	7/1984 Erbach
D211,919	S	8/1968 Harff et al.	4,463,746	A	8/1984 Knuth et al.
D214,220	S	5/1969 Ver Halen	4,498,452	A	2/1985 Schlosser et al.
3,453,975	A	7/1969 Gunter	D278,021	S	3/1985 Schlosser et al.
D215,250	S	9/1969 McClaren	4,510,916	A	4/1985 Ogden
3,499,399	A	3/1970 Kaufmann	4,523,574	A	6/1985 Schlosser
3,500,812	A	3/1970 Korngold	D279,537	S	7/1985 Taylor et al.
3,520,290	A	7/1970 Winters	D280,282	S	8/1985 Erbach et al.
3,533,393	A	10/1970 Haapanen	4,535,749	A	8/1985 Schlosser
3,538,906	A	11/1970 Heraty et al.	4,553,524	A	11/1985 Wheat et al.
D219,413	S	12/1970 Glaser	D282,619	S	2/1986 Fitzgerald et al.
D219,629	S	12/1970 Koziol	4,567,876	A	2/1986 Ogden
D219,693	S	1/1971 Hahn	4,576,140	A	3/1986 Schlosser
3,567,065	A	3/1971 Dinse	4,593,676	A	6/1986 Wackerman
D222,311	S	10/1971 Wilkinson et al.	D284,929	S	8/1986 Schlosser et al.
3,611,910	A	10/1971 Hughes	4,603,679	A	8/1986 Ogden
3,611,915	A	10/1971 Glaser	4,630,593	A	12/1986 Gremillion
3,617,022	A	11/1971 Wiggins	4,635,613	A	1/1987 Tucker et al.
D223,042	S	2/1972 Wilkinson et al.	4,667,916	A	5/1987 Richards
3,638,634	A	2/1972 Bolitho	4,677,964	A	7/1987 Lohmeyer et al.
3,683,791	A	8/1972 Rast	4,683,866	A	8/1987 Bales et al.
3,688,758	A	9/1972 Stephen, Jr.	4,688,541	A	8/1987 Stephen et al.
3,714,937	A	2/1973 Linstead	D291,855	S	9/1987 Erbach et al.
3,734,076	A	5/1973 Kiziol	4,699,120	A	10/1987 Ogden
D227,643	S	7/1973 Koziol	D293,067	S	12/1987 Stephen et al.
3,759,164	A	9/1973 Robinson	D293,191	S	12/1987 Stephen et al.
D229,625	S	12/1973 Thomas	4,718,399	A	1/1988 Shepherd
D229,660	S	12/1973 Gammon	4,727,853	A	3/1988 Stephen et al.
3,785,275	A	1/1974 Keats et al.	D295,135	S	4/1988 Ogden
3,791,368	A	2/1974 Hunt	4,735,390	A	4/1988 Richards
D231,070	S	4/1974 Koziol	4,741,322	A	5/1988 Lin
3,806,987	A	4/1974 Koziol	4,762,114	A	8/1988 Blankemeyer
3,812,840	A	5/1974 Whaler	4,763,640	A	8/1988 Schnack et al.
D231,892	S	6/1974 Warshauer	4,777,927	A	10/1988 Stephen et al.
3,822,456	A	7/1974 Petruzzi	D298,406	S	11/1988 Stephen et al.
3,841,299	A	10/1974 Tomita	4,793,580	A	12/1988 Richards
D233,585	S	11/1974 Thomas	D299,690	S	2/1989 Schnack et al.
3,865,052	A	2/1975 Streets et al.	4,829,978	A	5/1989 Schlosser et al.
D237,578	S	11/1975 Thomas	D301,673	S	6/1989 Ogden
3,974,821	A	8/1976 Storandt	4,836,179	A	6/1989 Schlosser et al.
3,981,292	A	9/1976 Lilley et al.	D302,641	S	8/1989 Elmburg
			4,860,724	A	8/1989 Schlosser et al.

US D522,310 S

4,924,845 A	5/1990	Johnson et al.	D412,086 S	7/1999	Bossler	
4,926,841 A	5/1990	Woolf	D414,374 S	9/1999	Ting	
4,941,817 A	7/1990	Schlosser	D414,980 S	10/1999	Pai	
4,942,862 A	7/1990	Alden et al.	D415,649 S	10/1999	Pai	
4,966,125 A	10/1990	Stephen et al.	D415,653 S	10/1999	Schlosser et al.	
4,966,126 A	10/1990	Wu	D415,925 S	11/1999	Pai	
D315,079 S	3/1991	Jui-Yen	D417,362 S	12/1999	Ting	
D316,355 S	4/1991	Stephen et al.	6,000,389 A	12/1999	Alpert	
5,016,607 A	5/1991	Doolittle et al.	D420,546 S	2/2000	Pai	
5,027,788 A	7/1991	Schlosser	D426,101 S	6/2000	Pai	
5,036,832 A	8/1991	Schlosser et al.	D426,419 S	6/2000	Kuo	
5,044,265 A	9/1991	Janssen	D427,840 S	7/2000	Pai	
5,069,196 A	12/1991	Schlosser et al.	D428,760 S	8/2000	Huang	
5,076,252 A	12/1991	Schlosser et al.	D430,717 S	9/2000	Alden et al.	
D322,909 S	1/1992	Parent et al.	D435,387 S	12/2000	Pai	
5,080,313 A	1/1992	Byrum et al.	6,155,248 A	12/2000	Schlosser et al.	
D325,315 S	4/1992	Parent et al.	D435,998 S	1/2001	Mak	
D325,316 S	4/1992	Parent et al.	D437,177 S	2/2001	Giebel et al.	
D325,318 S	4/1992	Parent et al.	6,182,559 B1	2/2001	Chiang	
5,111,802 A	5/1992	Lin	6,230,700 B1	5/2001	Daniels et al.	
D327,390 S	6/1992	Schlosser et al.	6,357,434 B1	3/2002	Bossler	
D327,805 S	7/1992	Parent et al.	6,363,925 B1	4/2002	Chavana, Jr. et al.	
5,159,917 A	11/1992	Archer et al.	6,402,414 B1 *	6/2002	Kanodia et al. 403/230	
5,165,385 A	11/1992	Doolittle et al.	D460,657 S	7/2002	Bossler	
5,213,075 A	5/1993	Stephen et al.	D461,360 S	8/2002	Bossler	
5,299,553 A	4/1994	Giebel et al.	6,439,221 B1	8/2002	Ward et al.	
5,323,758 A *	6/1994	Minshall et al. 126/25 R	D462,563 S	9/2002	Bossler	
5,341,793 A *	8/1994	Brown 126/41 R	D463,707 S	10/2002	Bossler	
D350,668 S	9/1994	Giebel et al.	D463,708 S	10/2002	Bossler	
D351,308 S	10/1994	Pai	D463,709 S	10/2002	Bossler	
D352,865 S	11/1994	Pai	D464,227 S	10/2002	Eisinger et al.	
5,383,723 A *	1/1995	Meyer 312/265.4	D464,524 S	10/2002	Pai	
D355,566 S	2/1995	Stephen et al.	D464,529 S	10/2002	Eisinger et al.	
5,394,590 A	3/1995	Yu	6,474,327 B1	11/2002	Bossler	
D356,924 S	4/1995	Pai	D466,359 S	12/2002	Bossler et al.	
5,566,606 A	10/1996	Johnston	D466,756 S	12/2002	Bossler et al.	
5,572,983 A	11/1996	Schlosser et al.	D471,396 S	3/2003	Chiang	
D376,510 S	12/1996	Ting	6,557,546 B1	5/2003	Gibbons	
5,640,949 A	6/1997	Smith	D476,189 S	6/2003	Bossler	
D381,557 S	7/1997	Bradley et al.	D478,462 S	8/2003	Zhu	
D381,860 S	8/1997	Chiang	6,626,090 B1	9/2003	McLemore et al.	
5,749,354 A	5/1998	Lin	D480,906 S	10/2003	Pai	
D395,378 S *	6/1998	Schlosser et al. D7/403	D481,256 S	10/2003	Bossler	
D395,785 S	7/1998	Lin	D482,561 S	11/2003	Yeh	
5,794,608 A	8/1998	Von Berg	D485,116 S	1/2004	Kwok	
5,806,510 A	9/1998	Fischer et al.	6,684,876 B1	2/2004	Bossler	
5,809,991 A	9/1998	Pai	D496,821 S	10/2004	Pai	
D404,963 S	2/1999	Schlosser et al.	D497,281 S	10/2004	Pai	
5,865,099 A	2/1999	Waugh				
D409,436 S	5/1999	Smith				

* cited by examiner

Fig. 1

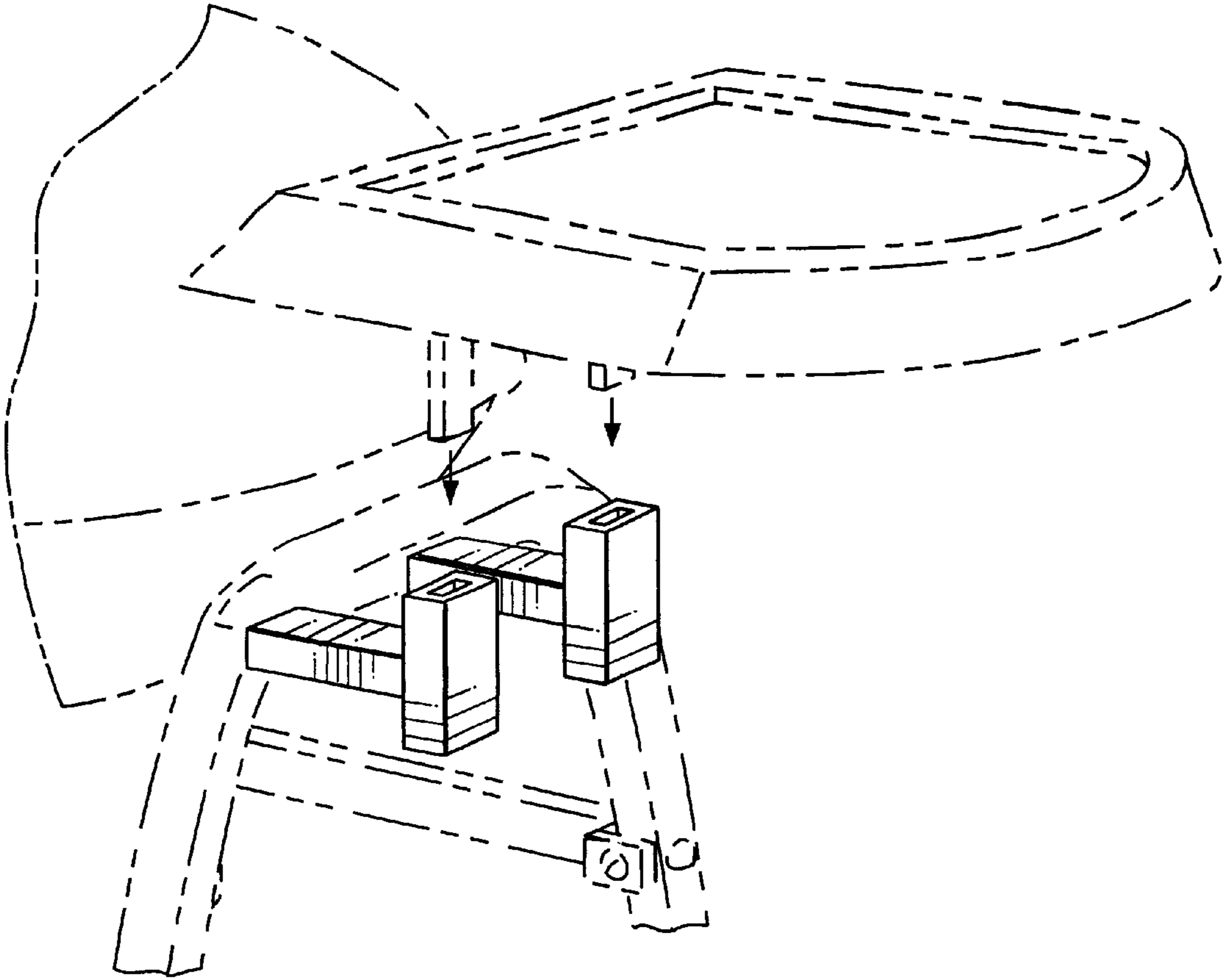


Fig. 2

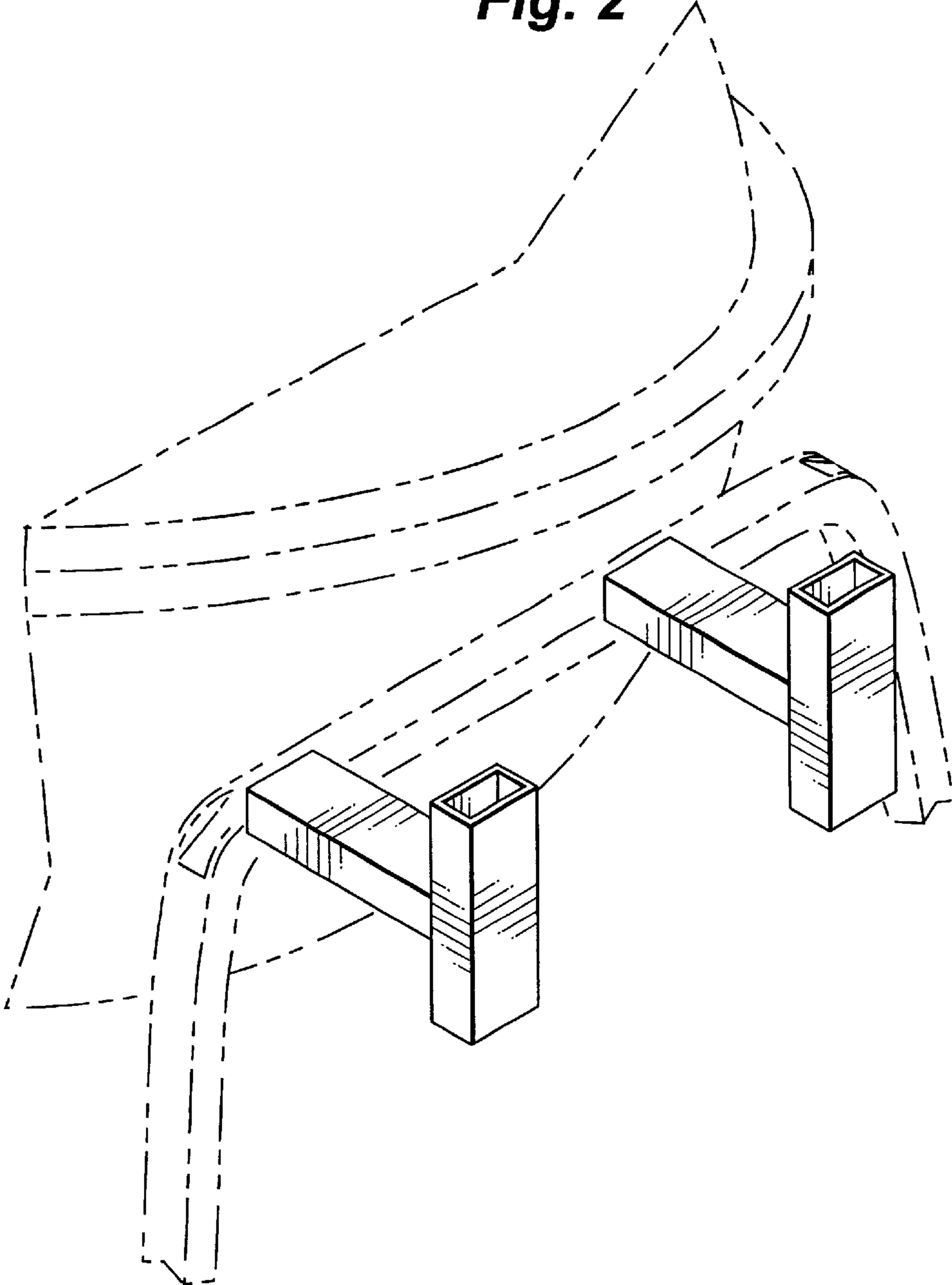


Fig. 3

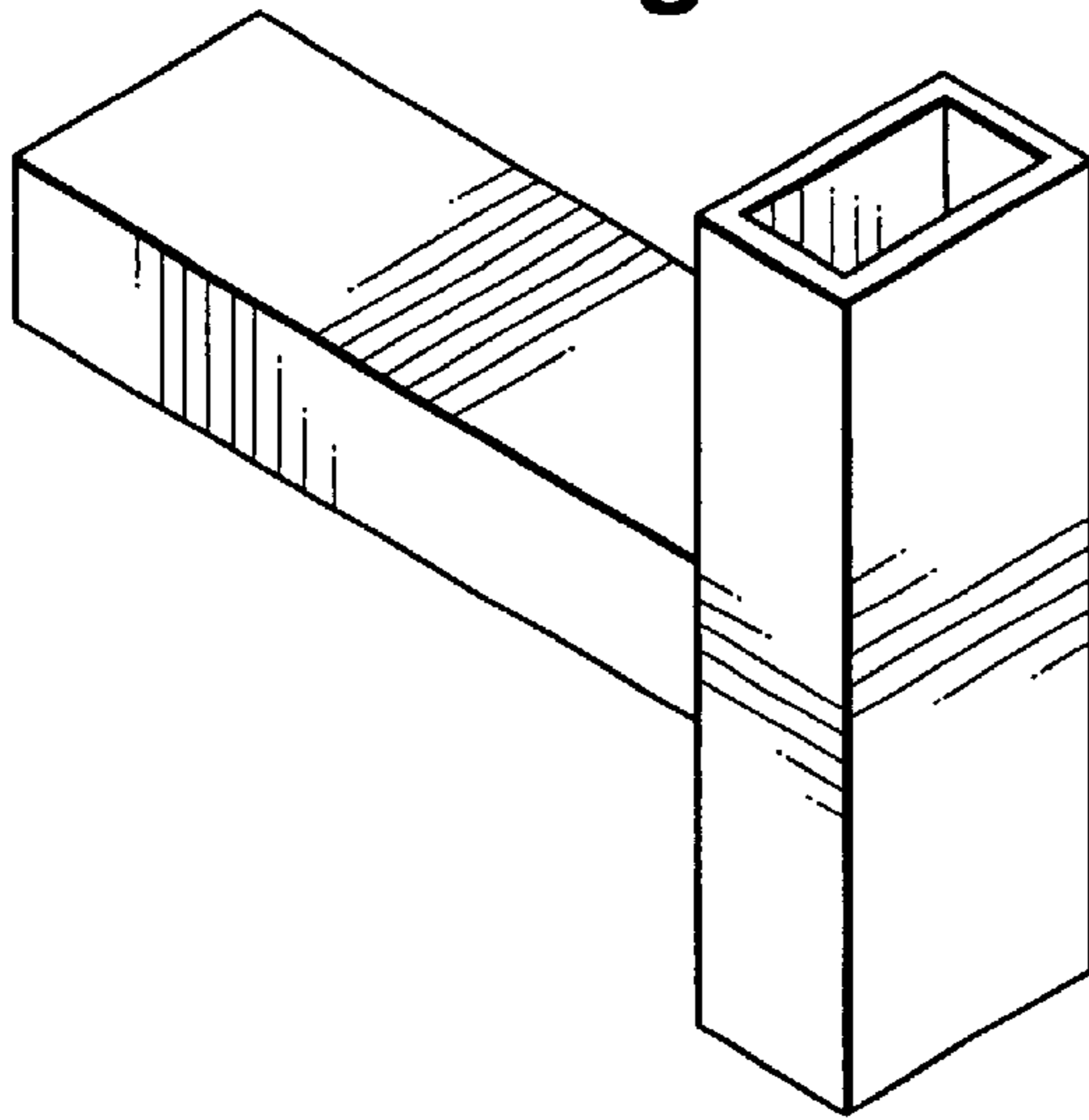


Fig. 4

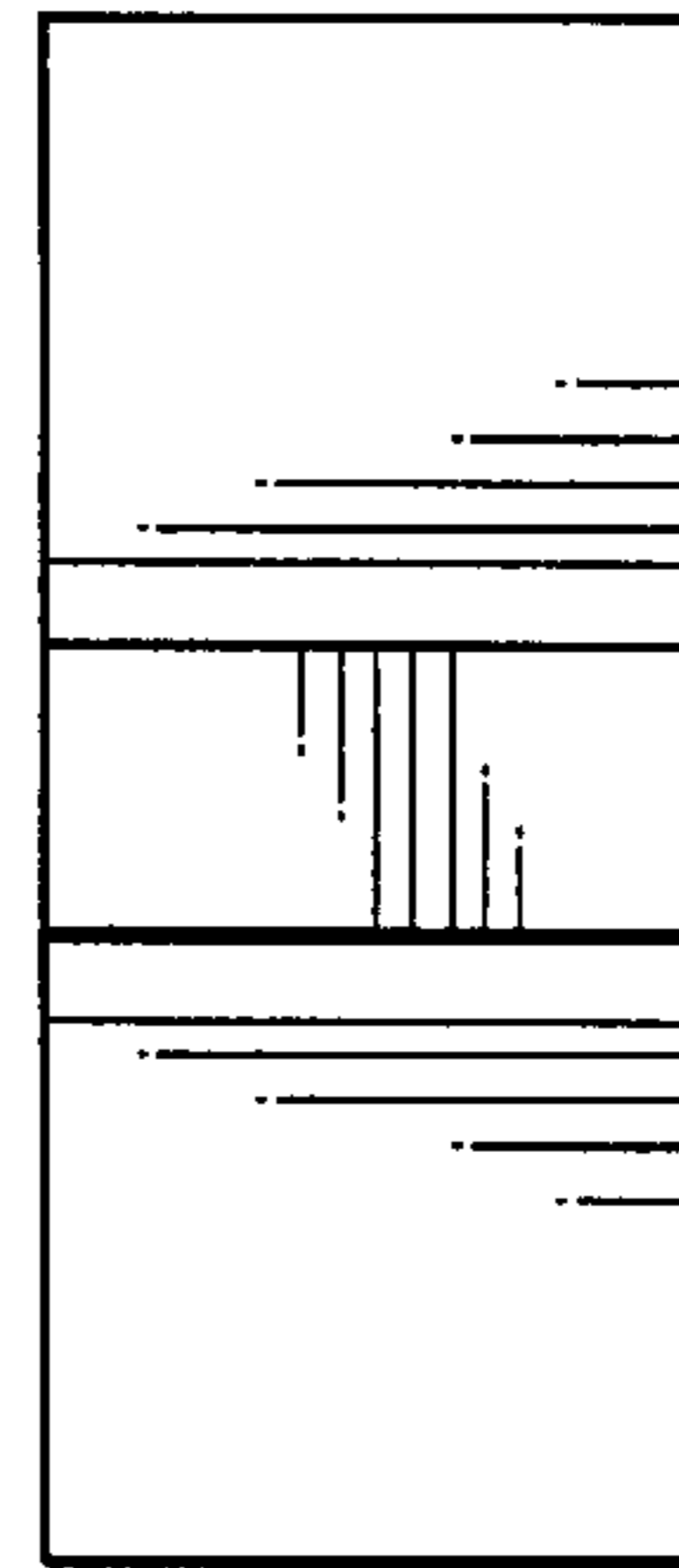


Fig. 6

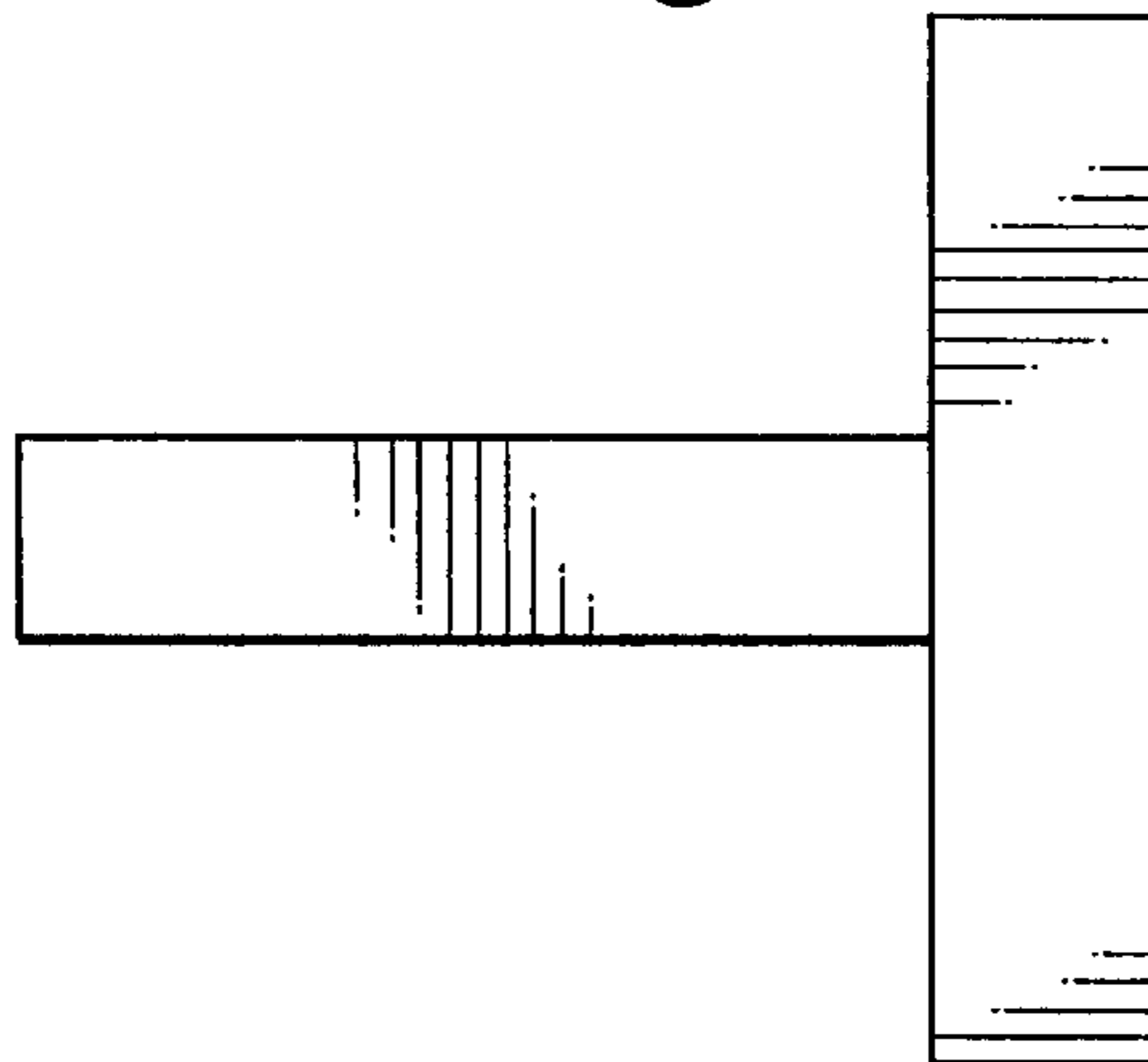


Fig. 5

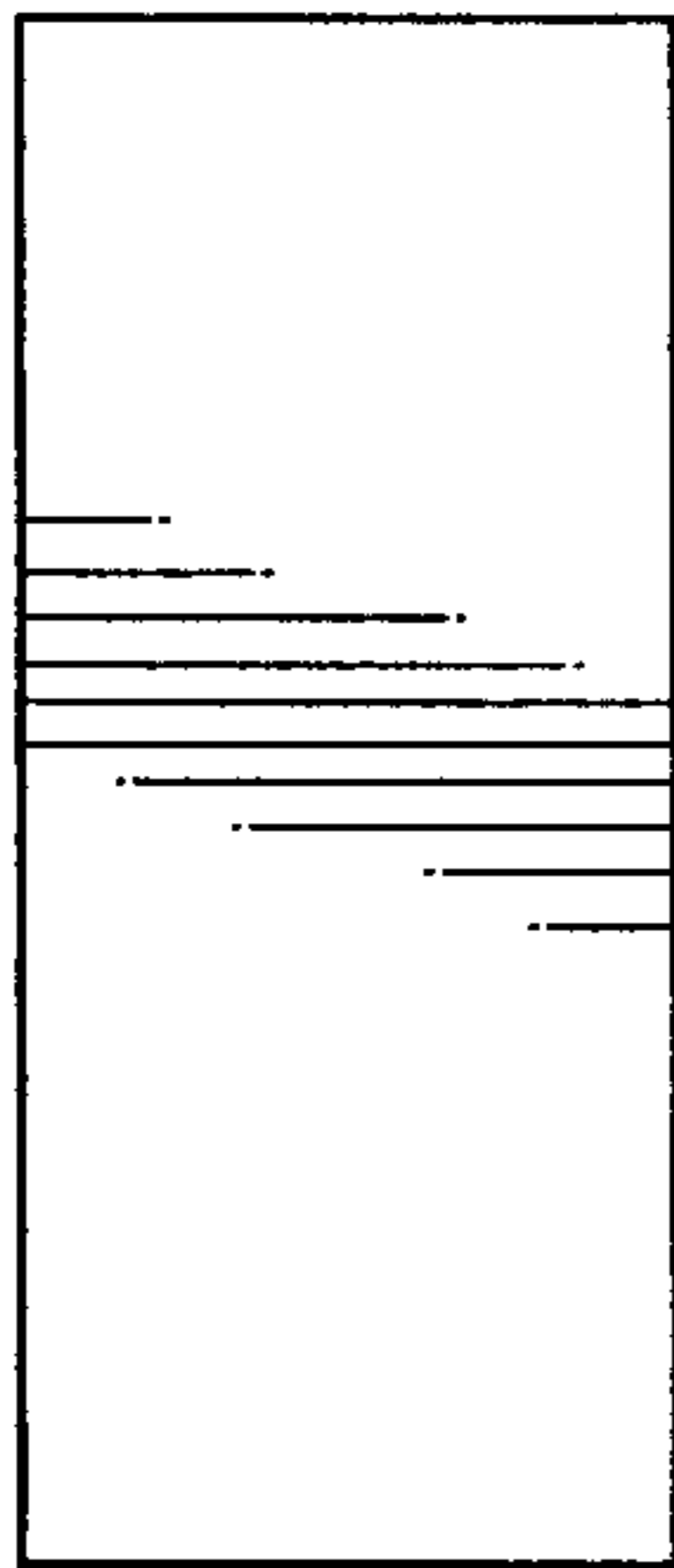


Fig. 7

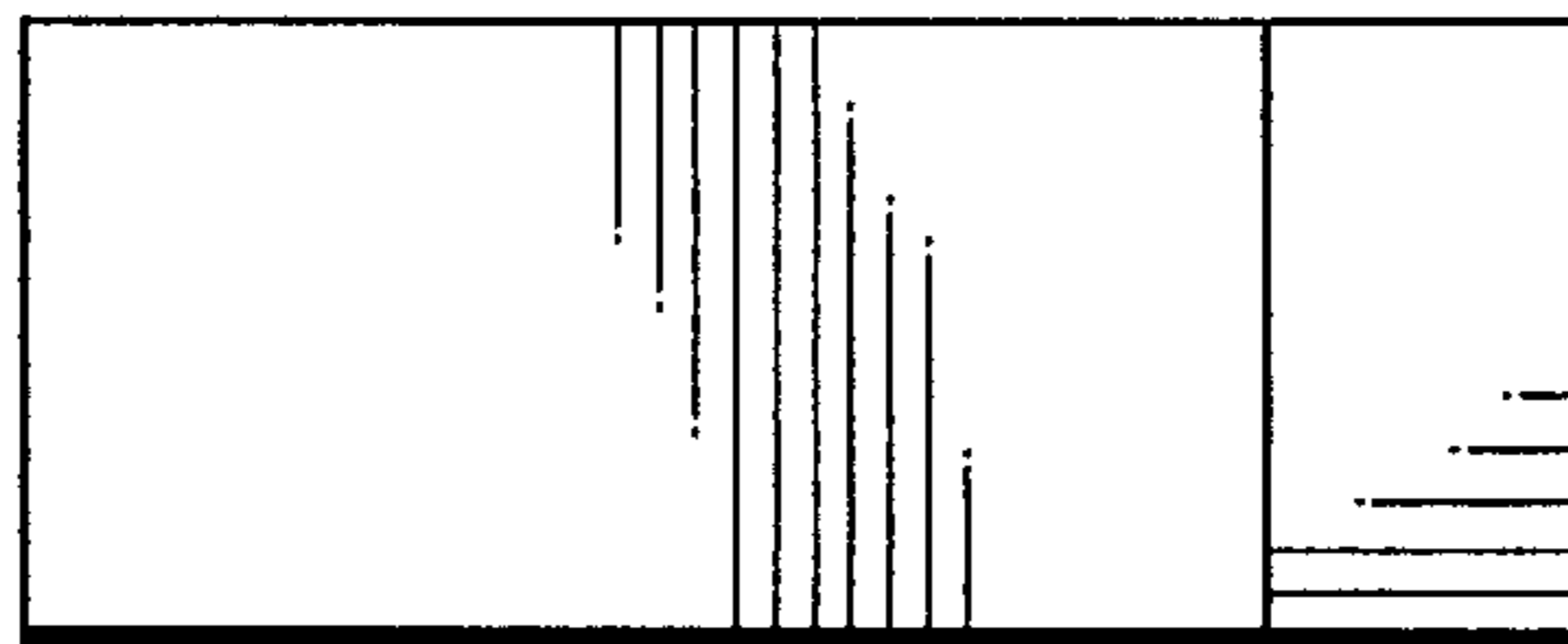


Fig. 8

