



US00D522309S

(12) **United States Design Patent**  
**Pukall et al.**

(10) **Patent No.:** **US D522,309 S**  
(45) **Date of Patent:** **\*\* Jun. 6, 2006**

- (54) **FRYING PAN**
- (75) Inventors: **Britta Pukall**, Maennedorf (CH);  
**Therese Naef**, Baden (CH)
- (73) Assignee: **Fissler GmbH**, Idar-Oberstein (DE)
- (\*\*) Term: **14 Years**
- (21) Appl. No.: **29/223,088**
- (22) Filed: **Feb. 9, 2005**
- (51) **LOC (8) Cl.** ..... **07-02**
- (52) **U.S. Cl.** ..... **D7/360**
- (58) **Field of Classification Search** ..... D7/354–361,  
D7/393–396, 323, 391, 500; 99/324, 325,  
99/339, 340, 345, 357, 400, 422, 425, 426,  
99/445; 126/369, 373, 390; 219/432, 459;  
220/454, 455, 573.1–573.5, 759, 912  
See application file for complete search history.

- D332,549 S \* 1/1993 Gerlach ..... D7/360
- 5,411,014 A \* 5/1995 Paul ..... 126/390.1
- 5,511,466 A \* 4/1996 Dzibinski ..... 99/339
- 6,105,810 A \* 8/2000 Daenen et al. .... 220/366.1
- 6,446,544 B1 \* 9/2002 Creighton ..... 99/339
- D477,180 S \* 7/2003 Burton et al. .... D7/394
- D506,106 S \* 6/2005 Ordiway et al. .... D7/629

\* cited by examiner

*Primary Examiner*—Cathron C. Brooks  
*Assistant Examiner*—Ricky Pham  
(74) *Attorney, Agent, or Firm*—Foley & Lardner LLP

(57) **CLAIM**

The ornamental design for a frying pan, as shown and described.

**DESCRIPTION**

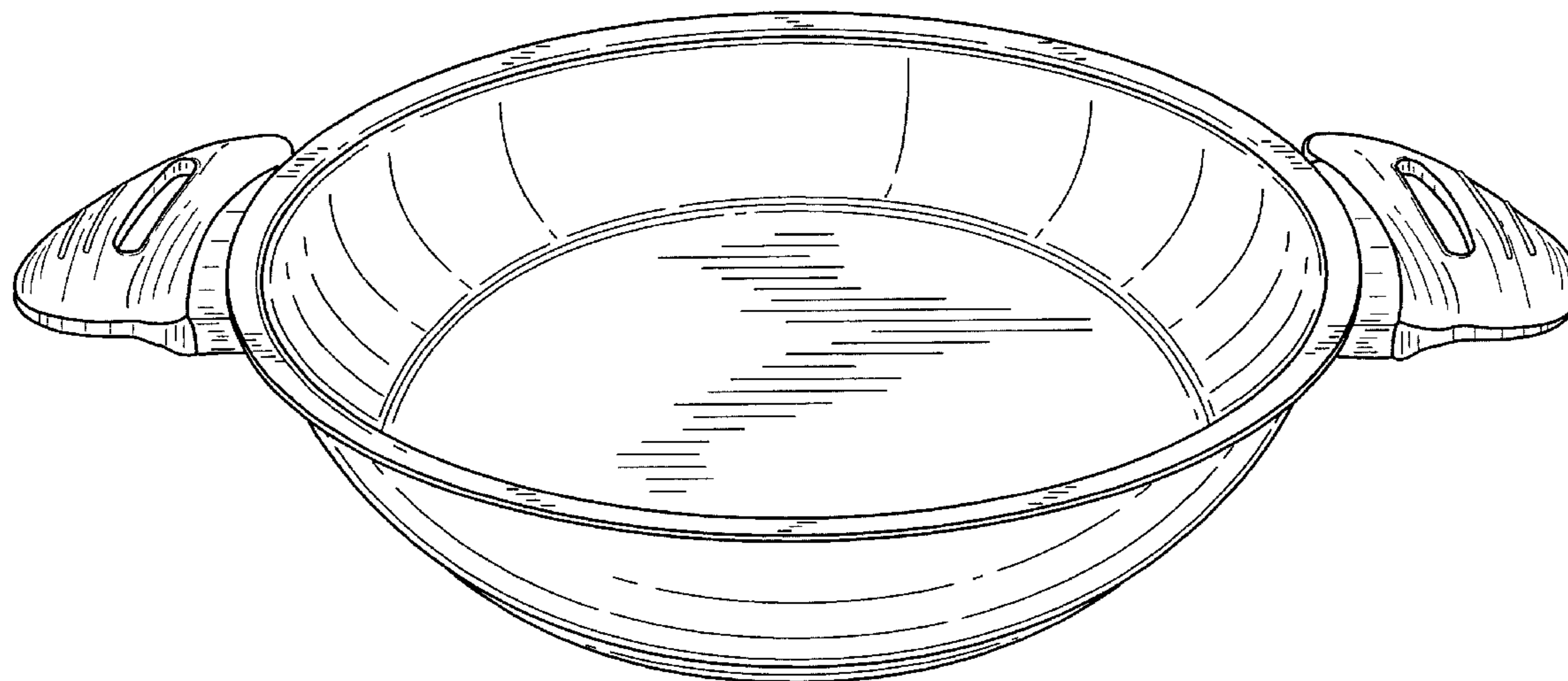
FIG. 1 is a front perspective view of a frying pan showing our new design;  
FIG. 2 is a front elevational view thereof, the rear elevational view being identical;  
FIG. 3 is a side elevational view thereof, the opposite side elevational view being identical;  
FIG. 4 is a side perspective view thereof, the opposite side perspective view being identical;  
FIG. 5 is a top plan view thereof; and,  
FIG. 6 is a bottom plan view thereof.

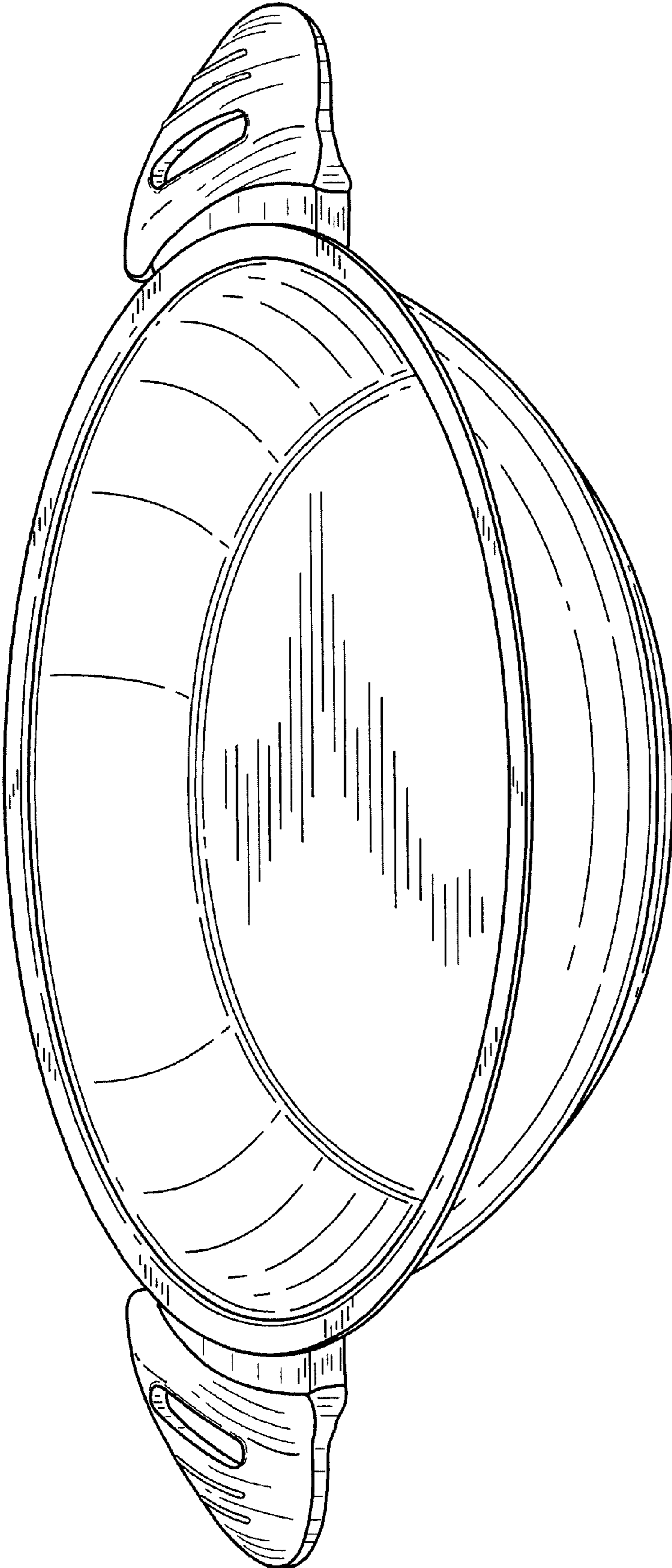
**1 Claim, 6 Drawing Sheets**

(56) **References Cited**

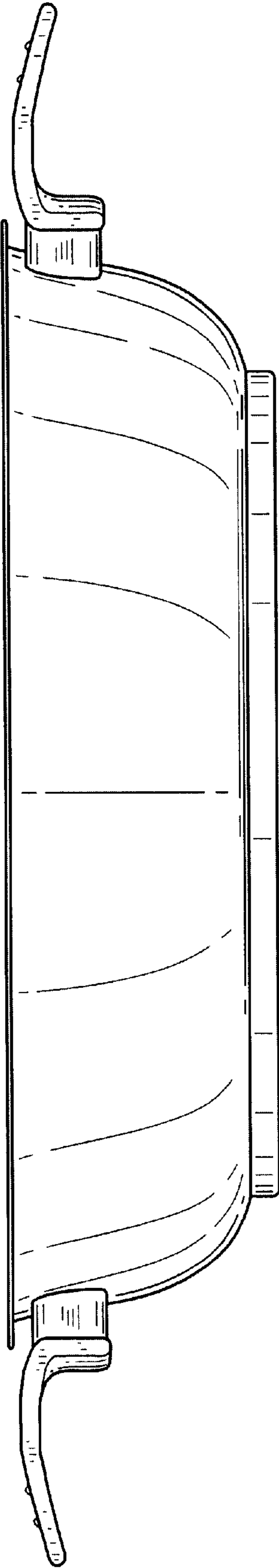
**U.S. PATENT DOCUMENTS**

- D230,389 S \* 2/1974 Reiss ..... D7/356
- 4,533,807 A \* 8/1985 Minamida ..... 219/621
- 4,666,727 A \* 5/1987 Wang ..... 426/523
- D293,872 S \* 1/1988 Wang ..... D7/354
- D321,810 S \* 11/1991 Schultz ..... D7/363
- 5,065,889 A \* 11/1991 Conti ..... 220/360

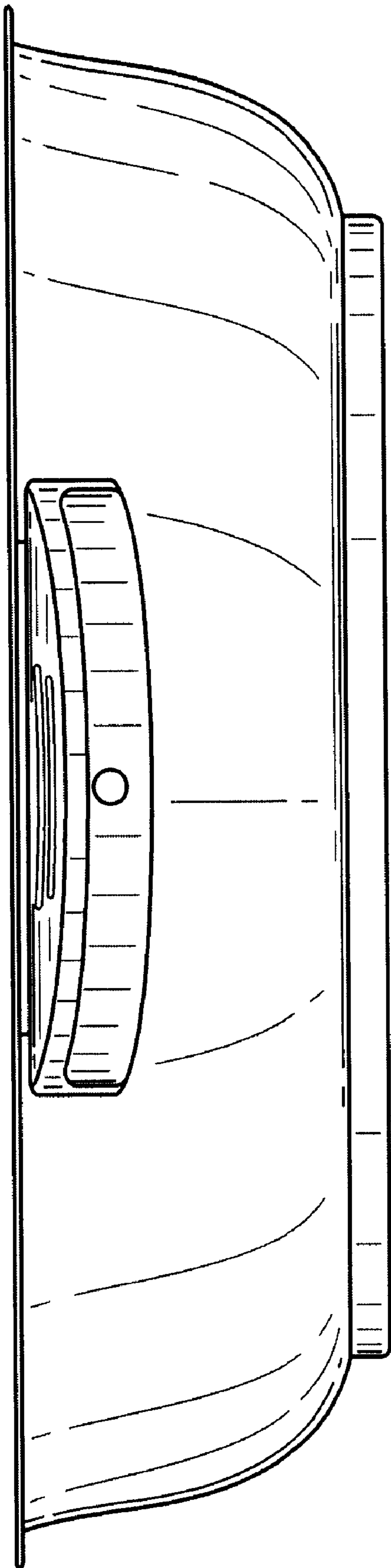




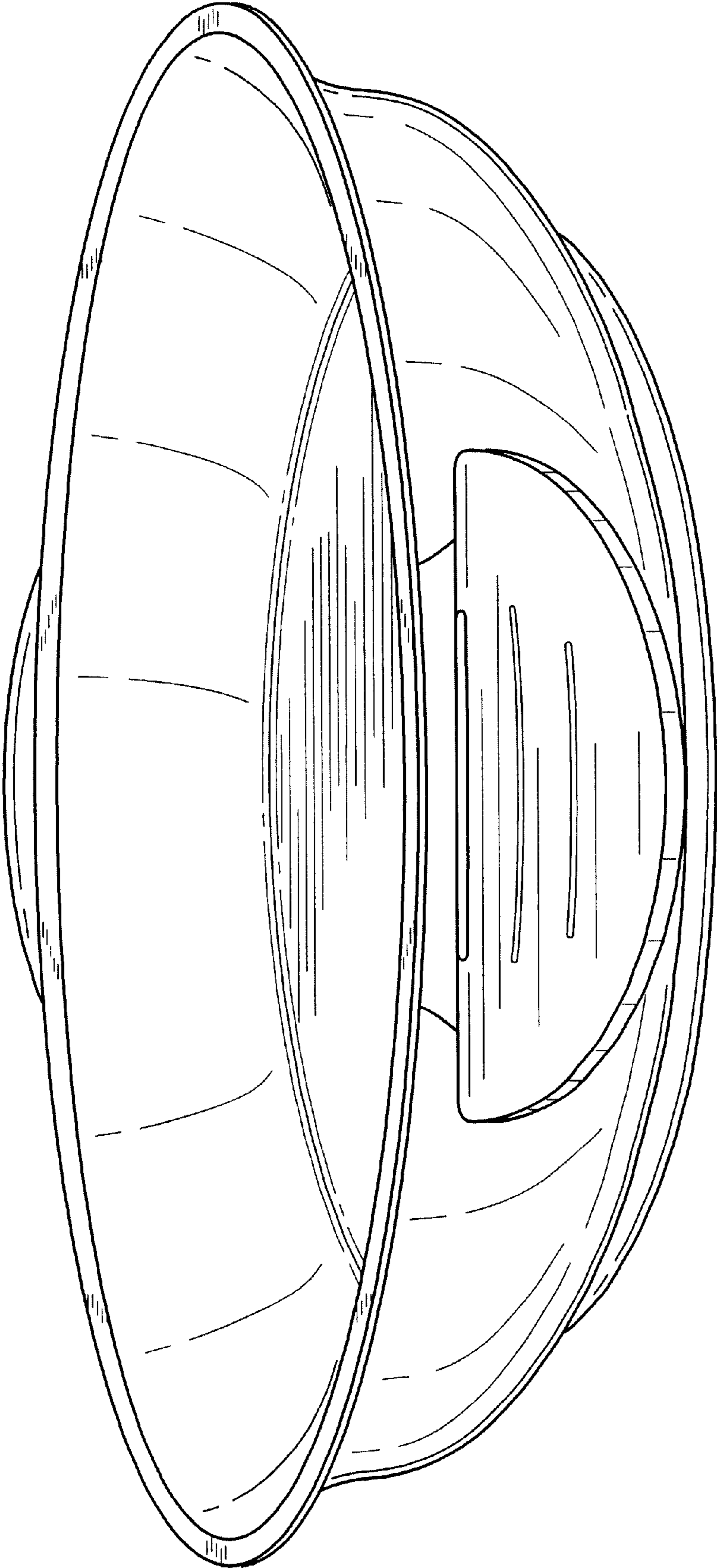
**FIG. 1**



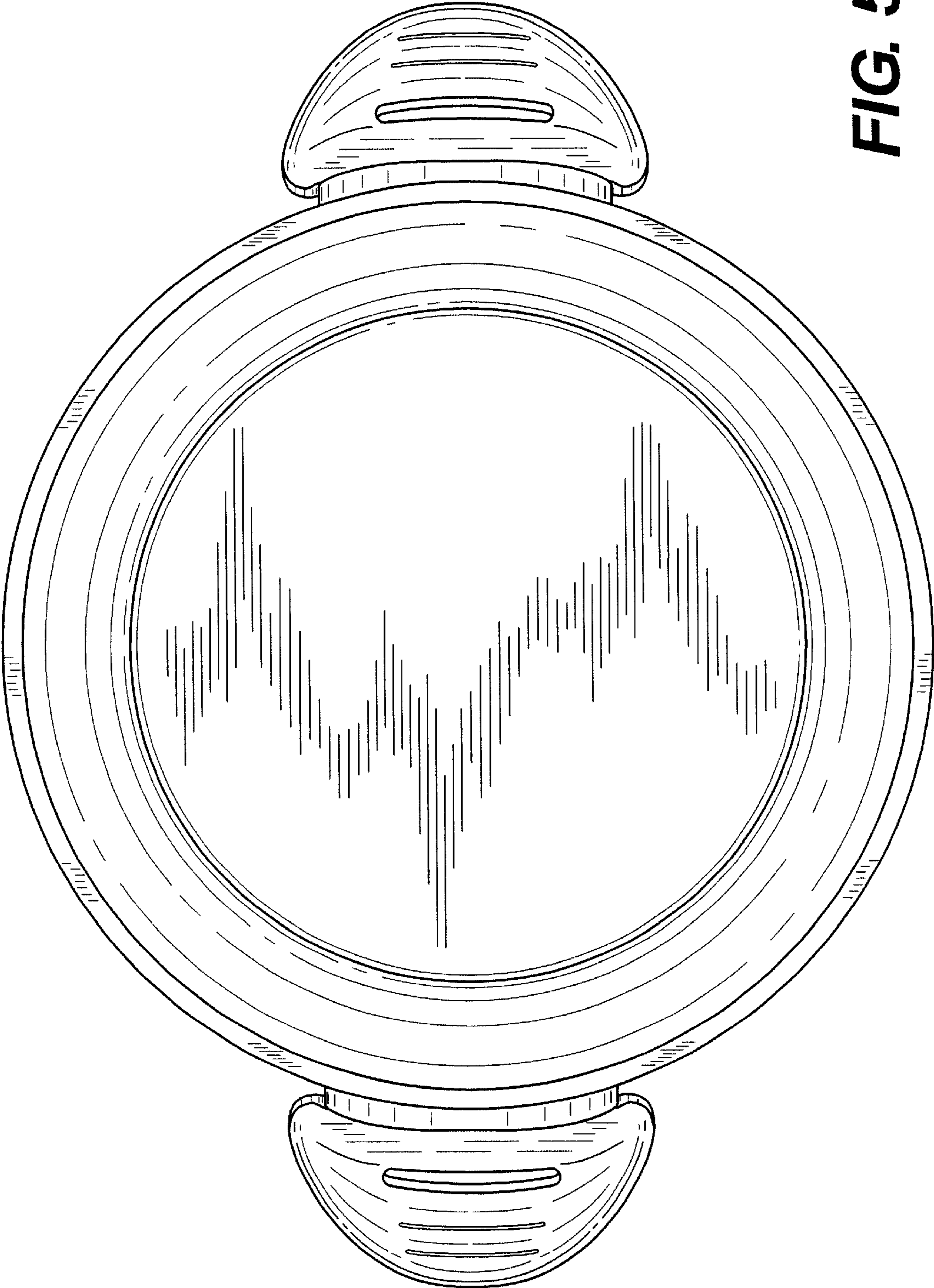
**FIG. 2**



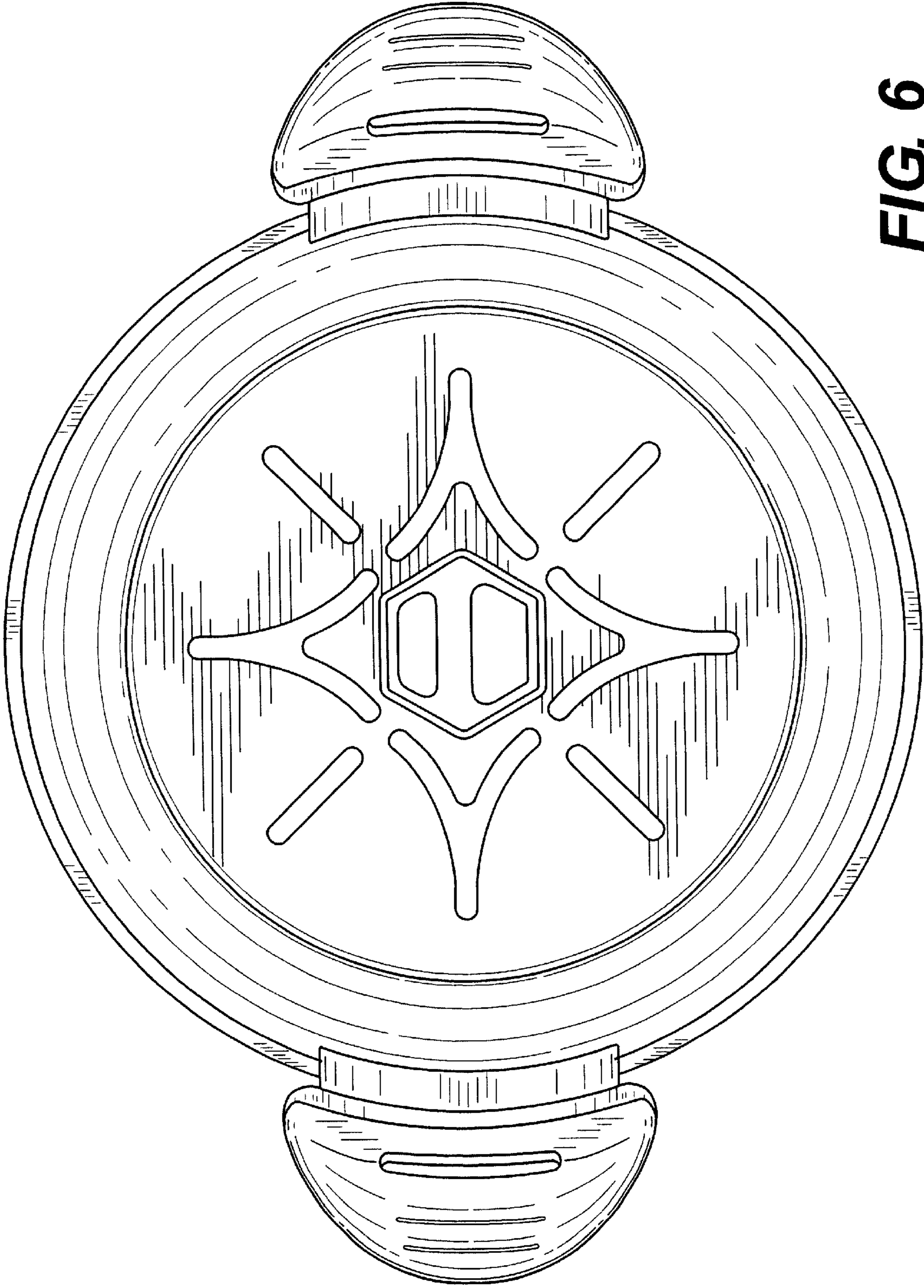
**FIG. 3**



**FIG. 4**



**FIG. 5**



**FIG. 6**