



US00D522308S

(12) **United States Design Patent**  
**Ball et al.**

(10) **Patent No.: US D522,308 S**  
(45) **Date of Patent: \*\* Jun. 6, 2006**

(54) **COOKER**

(75) Inventors: **Alan Ball**, Somerville, MA (US);  
**Gustavo Fontana**, Cambridge, MA (US)

(73) Assignee: **Conair Corporation**, Stamford, CT (US)

(\*\*) Term: **14 Years**

(21) Appl. No.: **29/194,336**

(22) Filed: **Nov. 21, 2003**

(51) **LOC (8) Cl.** ..... **07-02**

(52) **U.S. Cl.** ..... **D7/360**

(58) **Field of Classification Search** ..... D7/354-365,  
D7/323; 219/604, 620-621; 220/573.2, 573.3;  
99/324, 331, 336, 339, 357, 403

See application file for complete search history.

(56) **References Cited**

U.S. PATENT DOCUMENTS

213,763 A	4/1879	Lee	
875,972 A	1/1908	Wessel	
2,597,695 A	5/1952	Braski et al.	219/44
2,785,277 A	3/1957	Jepson	219/44
5,189,947 A	3/1993	Yim	99/415
D338,132 S	8/1993	Chang	D7/356
D381,553 S	7/1997	Canduanides	D7/356
D382,767 S *	8/1997	Lien	D7/360
5,839,357 A	11/1998	Ha et al.	99/337
D416,434 S *	11/1999	Pollnow	D7/360

D420,246 S *	2/2000	Alonge et al.	D7/360
6,100,504 A	8/2000	Wagner	219/432
D433,869 S *	11/2000	Wong et al.	D7/360
D444,993 S *	7/2001	Dobson et al.	D7/354
6,283,015 B1	9/2001	Kwon et al.	99/337
D450,528 S *	11/2001	Rossman	D7/360
D476,191 S *	6/2003	Josancy	D7/358

\* cited by examiner

*Primary Examiner*—Ian Simmons

*Assistant Examiner*—Maurice Stevens

(74) *Attorney, Agent, or Firm*—Lawrence Cruz; Steven A. Garner

(57) **CLAIM**

The ornamental design for the cooker, as shown and described in the accompanying figures.

**DESCRIPTION**

FIG. 1 is a front view of a cooker according to a first embodiment of the present invention;

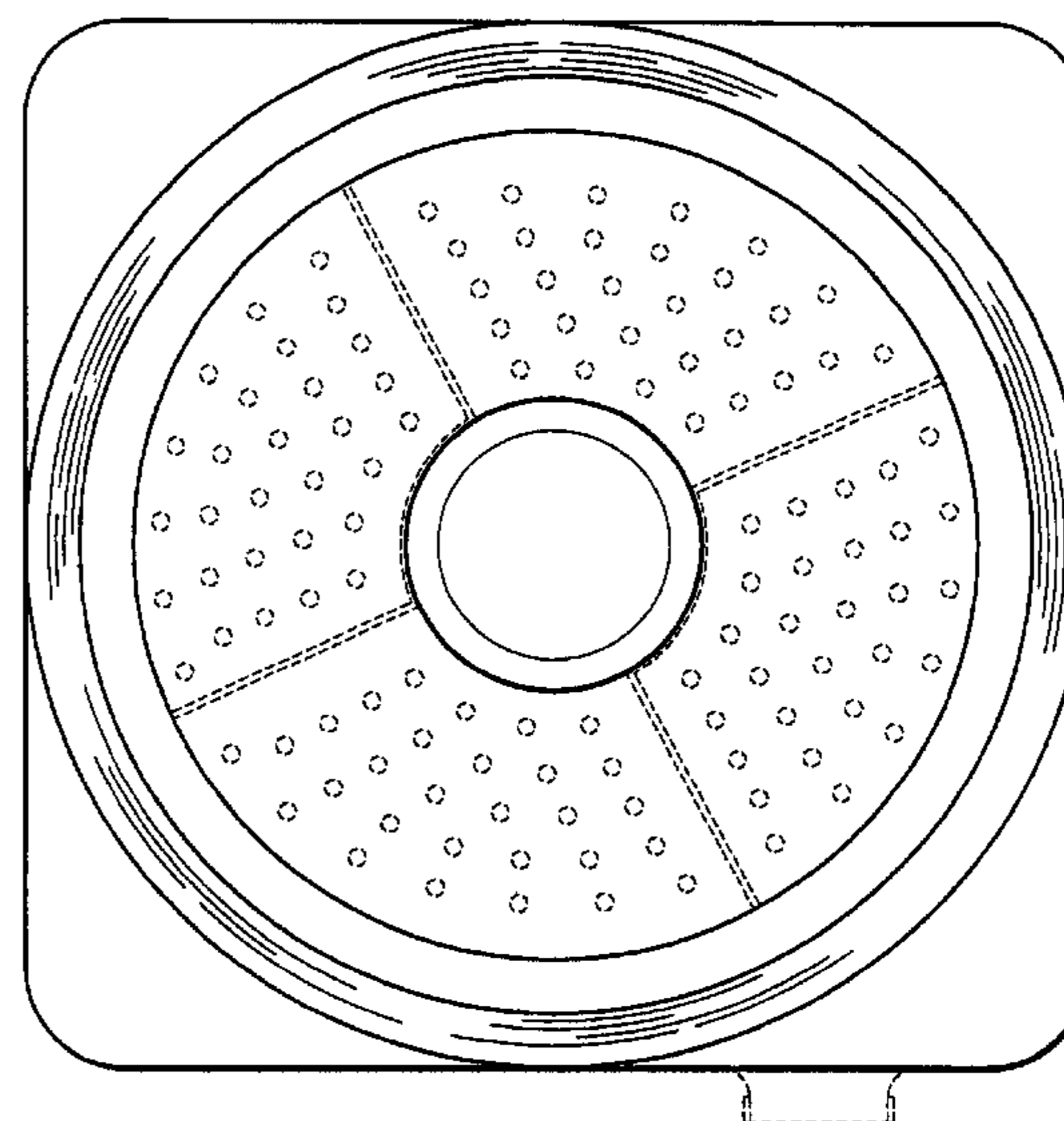
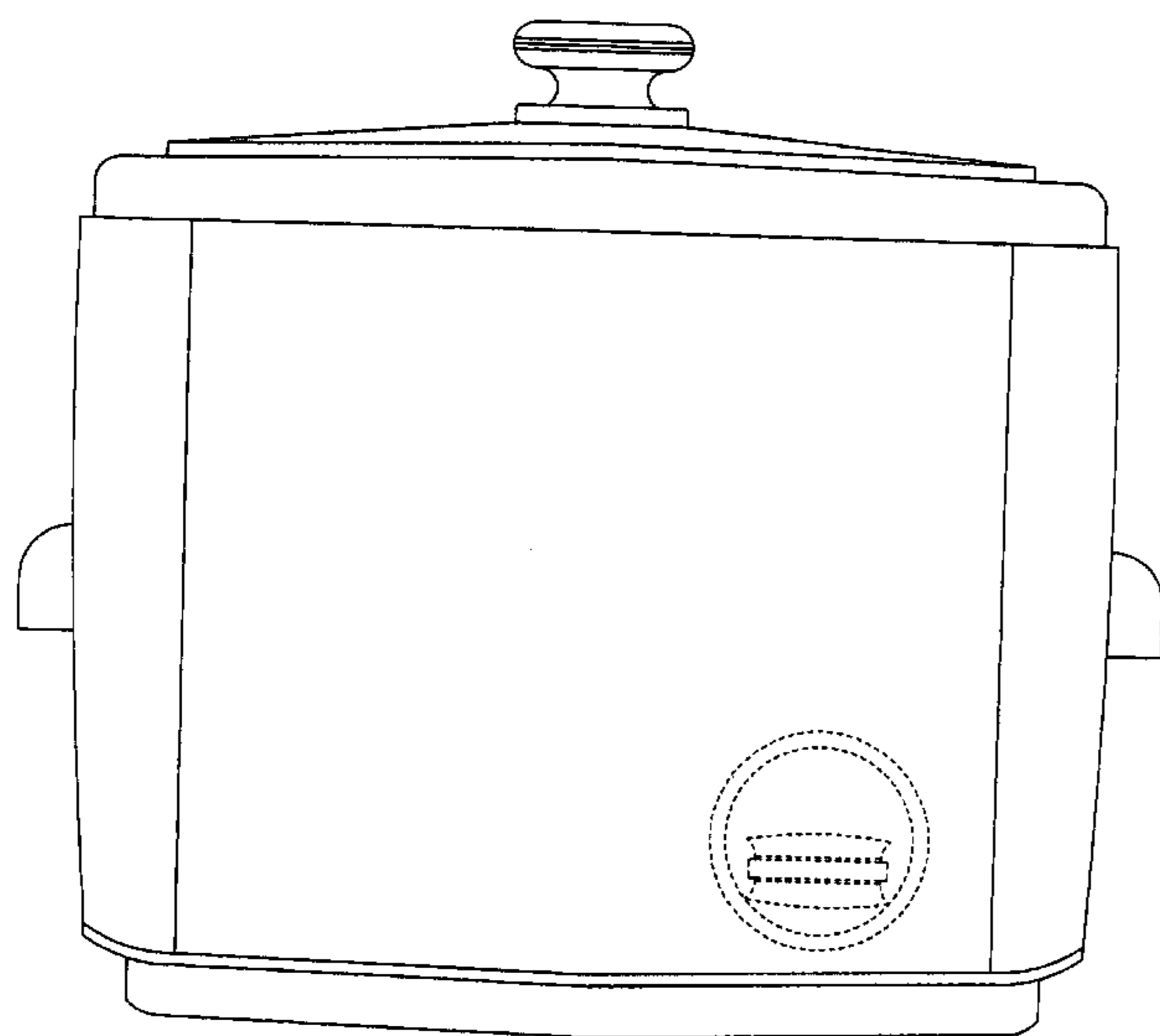
FIG. 2 is side view of the cooker, rotated ninety degrees from the front view of FIG. 1, the opposite side being symmetric thereto;

FIG. 3 is a rear view of the cooker, opposite the front view of FIG. 1; and,

FIG. 4 is a top view of the cooker of FIG. 1; and the broken lines in FIG. 4 illustrate a portion of the cooker that forms no part of the claimed design.

The broken lines identify objects that form no part of the claimed design.

**1 Claim, 4 Drawing Sheets**



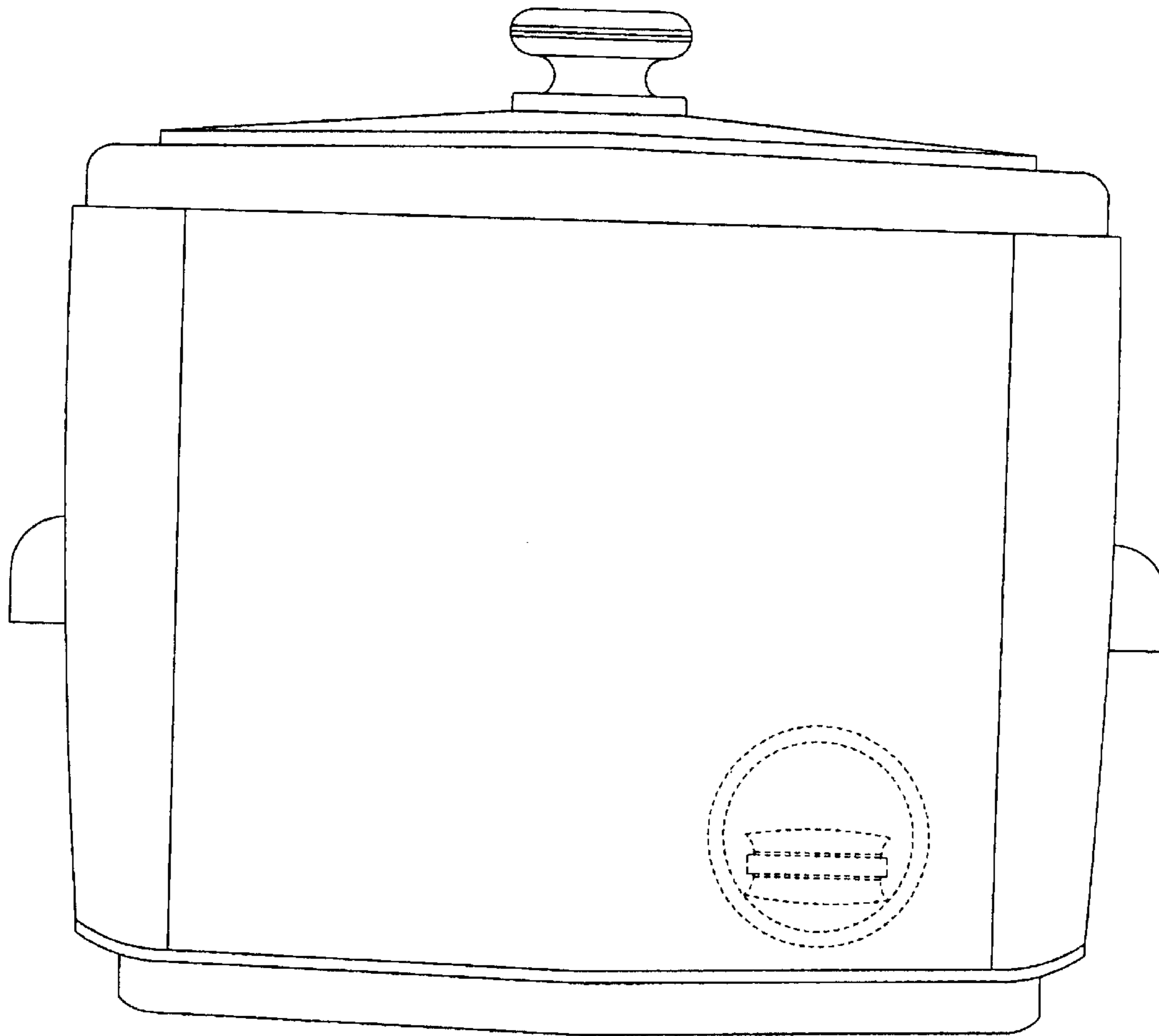


FIG. 1

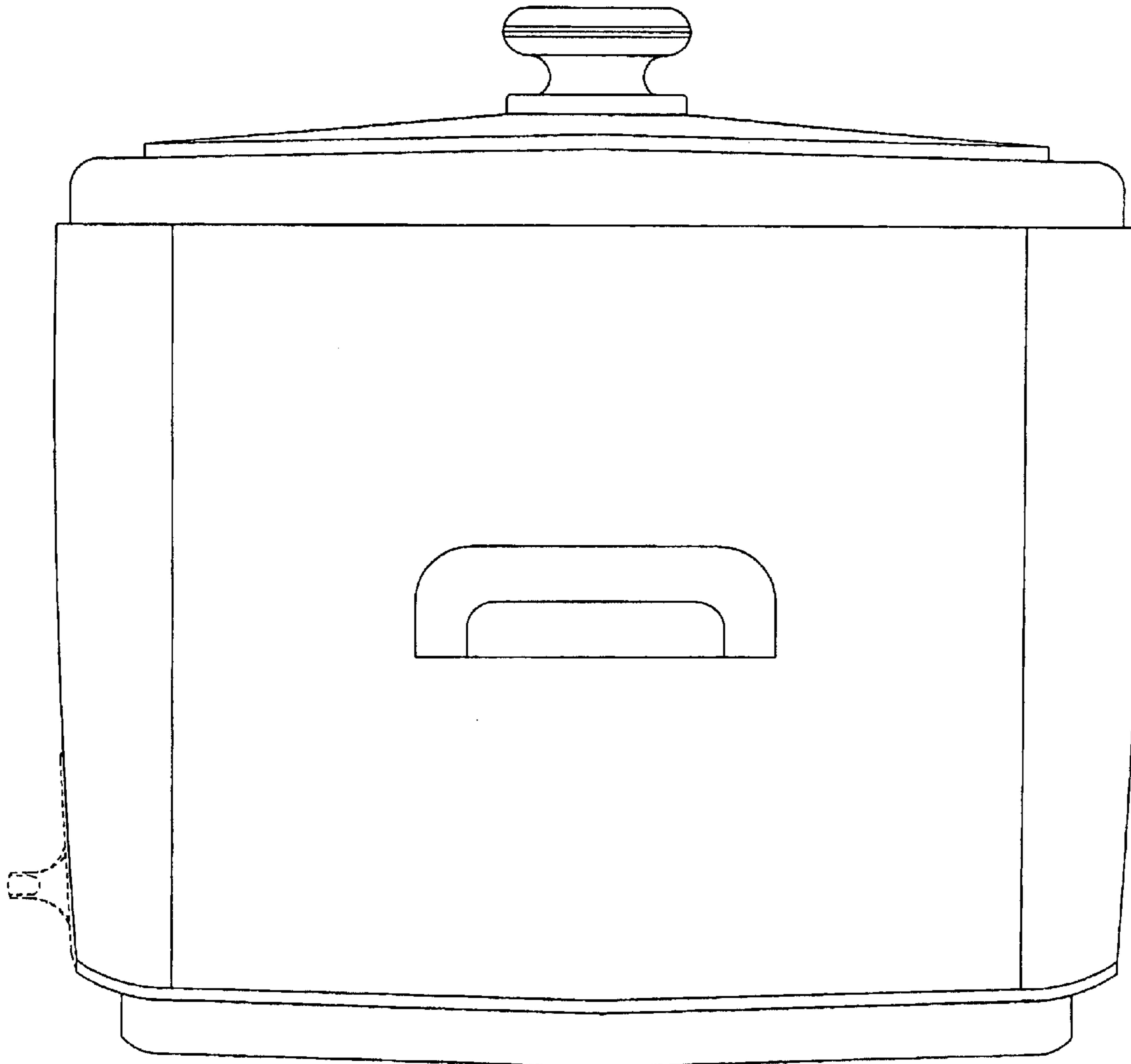


FIG. 2

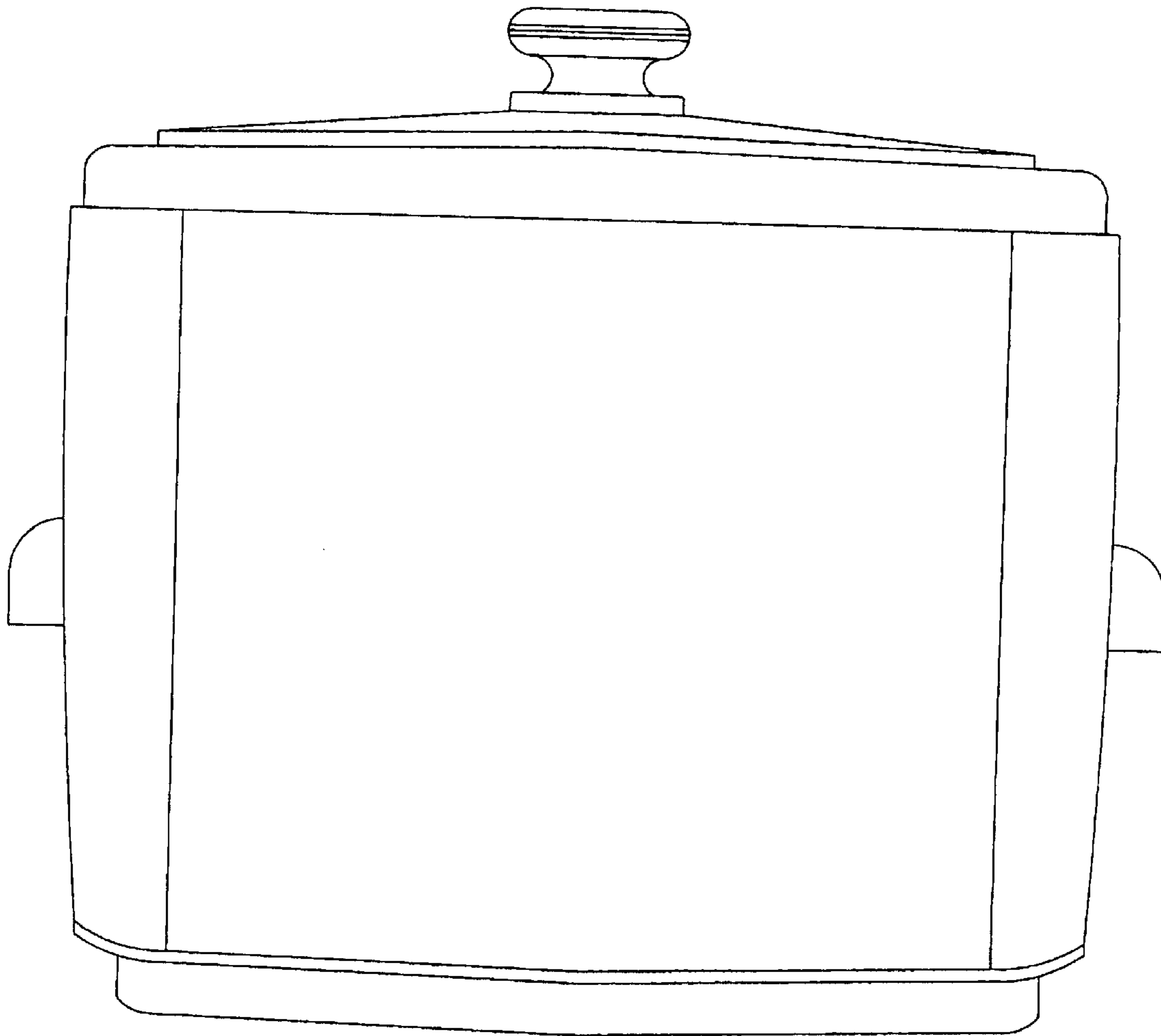
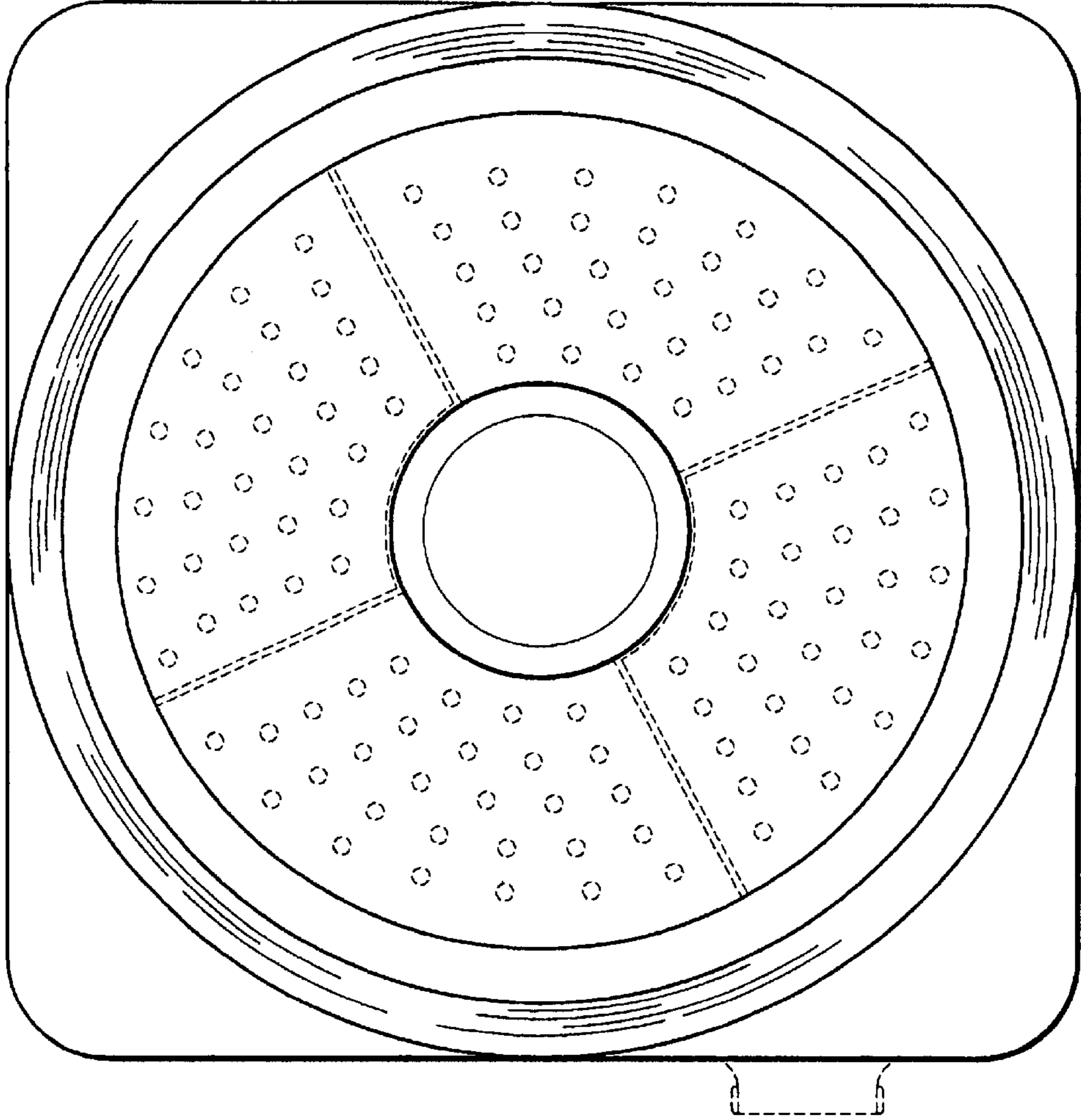


FIG. 3



**FIG. 4**