

US00D522307S

(12) **United States Design Patent**
Mariani et al.

(10) **Patent No.:** **US D522,307 S**
(45) **Date of Patent:** **** Jun. 6, 2006**

(54) **CHAFER**
(75) Inventors: **Michael L. Mariani**, Voorhees, NJ (US); **Frank J. Consoli**, Media, PA (US); **Theodore L. Holme**, Mico, TX (US)
(73) Assignee: **Candle Corporation of America**, Des Plaines, IL (US)
(**) Term: **14 Years**
(21) Appl. No.: **29/221,921**
(22) Filed: **Jan. 21, 2005**
(51) **LOC (8) Cl.** **07-02**
(52) **U.S. Cl.** **D7/355**
(58) **Field of Classification Search** D7/323, D7/354-361, 365-367, 388, 538; 219/451.1, 219/429-438, 620-622; 220/252, 573.1, 220/573.2-573.6, 574, 694; 126/263, 390, 126/33; 248/147; 206/219-222; 426/112-114; 99/324, 339, 340, 357, 483, 449; D6/349, D6/352, 449; D21/499, 500; D25/113
See application file for complete search history.

5,355,869 A 10/1994 Pickard et al.
5,390,659 A 2/1995 Scaringe et al.
D358,292 S * 5/1995 Goad D7/366
5,486,371 A 1/1996 Chen
5,517,981 A 5/1996 Taub
5,520,103 A * 5/1996 Zielinski et al. 99/483
5,611,329 A 3/1997 Lamensdorf
5,935,486 A 8/1999 Bell et al.
5,957,123 A * 9/1999 Addonizio et al. 126/390.1
6,024,014 A * 2/2000 Kasai 99/425
D441,823 S * 5/2001 Blackhurst D21/797
6,248,257 B1 6/2001 Bell et al.
D465,600 S * 11/2002 Dolan D26/128
D468,580 S * 1/2003 Ruiseco D7/355
D471,888 S * 3/2003 Solland D14/204
6,539,935 B1 4/2003 Ichikawa
6,580,388 B1 * 6/2003 Stoyanov et al. 342/192
D480,908 S * 10/2003 Krasne D7/354
D495,116 S * 8/2004 Trocme D1/127
D509,098 S * 9/2005 Steinberg et al. D7/352
D510,677 S * 10/2005 Steinberg et al. D7/352

FOREIGN PATENT DOCUMENTS

EP 1 166 699 1/2002
WO WO 92/00493 1/1992

* cited by examiner

Primary Examiner—Caron D. Veynar
Assistant Examiner—Ricky Pham

(74) *Attorney, Agent, or Firm*—Marshall, Gerstein & Borun LLP

(56) **References Cited**
U.S. PATENT DOCUMENTS

687,968 A * 12/1901 Reber 229/113
D67,194 S * 5/1925 Epstein D1/127
D96,747 S * 9/1935 Hadley D7/403
2,276,220 A * 3/1942 Le Veiller, Sr. 206/524.1
2,312,507 A * 3/1943 Trogman 229/117.21
D161,299 S * 12/1950 Altemiller D7/354
3,259,153 A * 7/1966 Haase 141/110
3,683,889 A 8/1972 Hoffman
3,938,688 A * 2/1976 Ryan 220/23.8
4,510,919 A 4/1985 Benmussa
4,559,921 A * 12/1985 Benmussa 126/263.09
4,762,113 A 8/1988 Hamasaki
4,771,761 A 9/1988 Doukhan et al.
4,809,673 A 3/1989 Charvin
4,823,769 A 4/1989 Semaan
4,867,131 A 9/1989 van der Merwe et al.
5,035,230 A 7/1991 Steidl et al.
5,220,909 A 6/1993 Pickard et al.
5,295,475 A 3/1994 Kaneko

(57) **CLAIM**

The ornamental design for a “chafer,” as shown and described.

DESCRIPTION

FIG. 1 is a front perspective view of a chafer showing our new design;
FIG. 2 is a top plan view of FIG. 1 thereof;
FIG. 3 is a front elevation view of FIG. 1, the rear elevation view being a mirror image thereof;
FIG. 4 is a left side elevation view of FIG. 1, the right elevation view being a mirror image thereof; and,
FIG. 5 is an additional perspective view of FIG. 1.
The broken lines in the drawings are for illustrative purposes only and form no part of the claimed design.

1 Claim, 2 Drawing Sheets

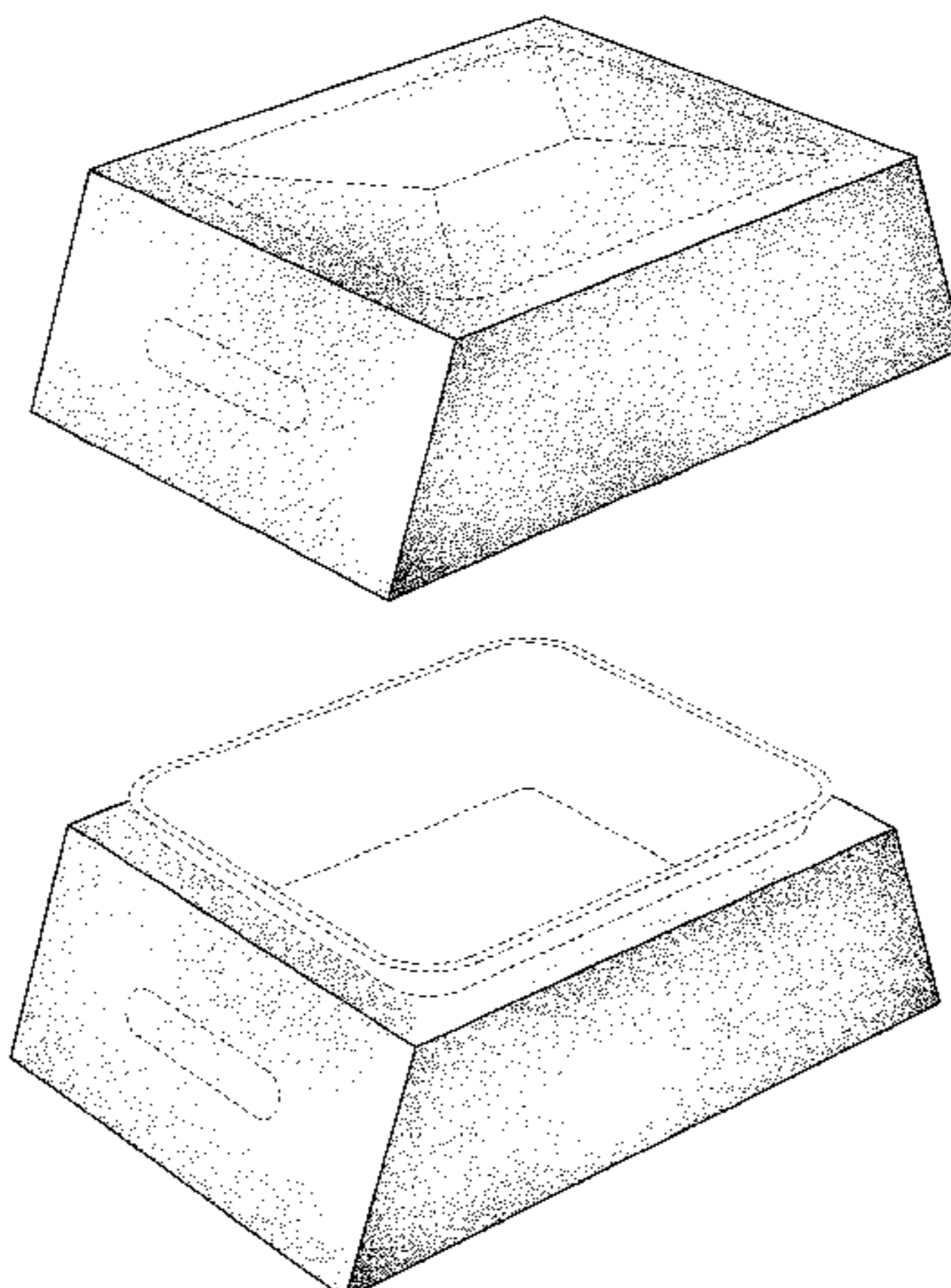


FIG. 1

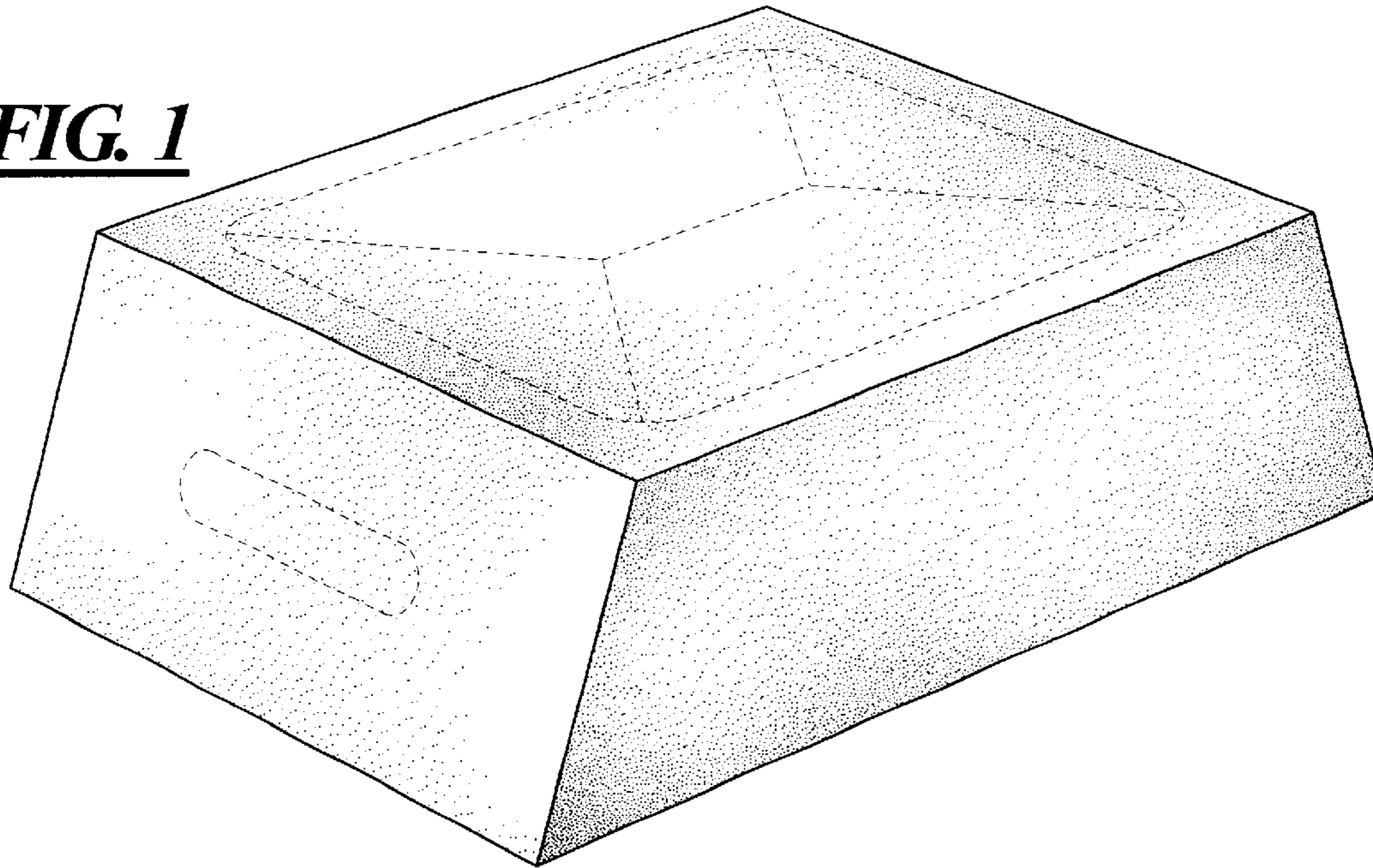


FIG. 2

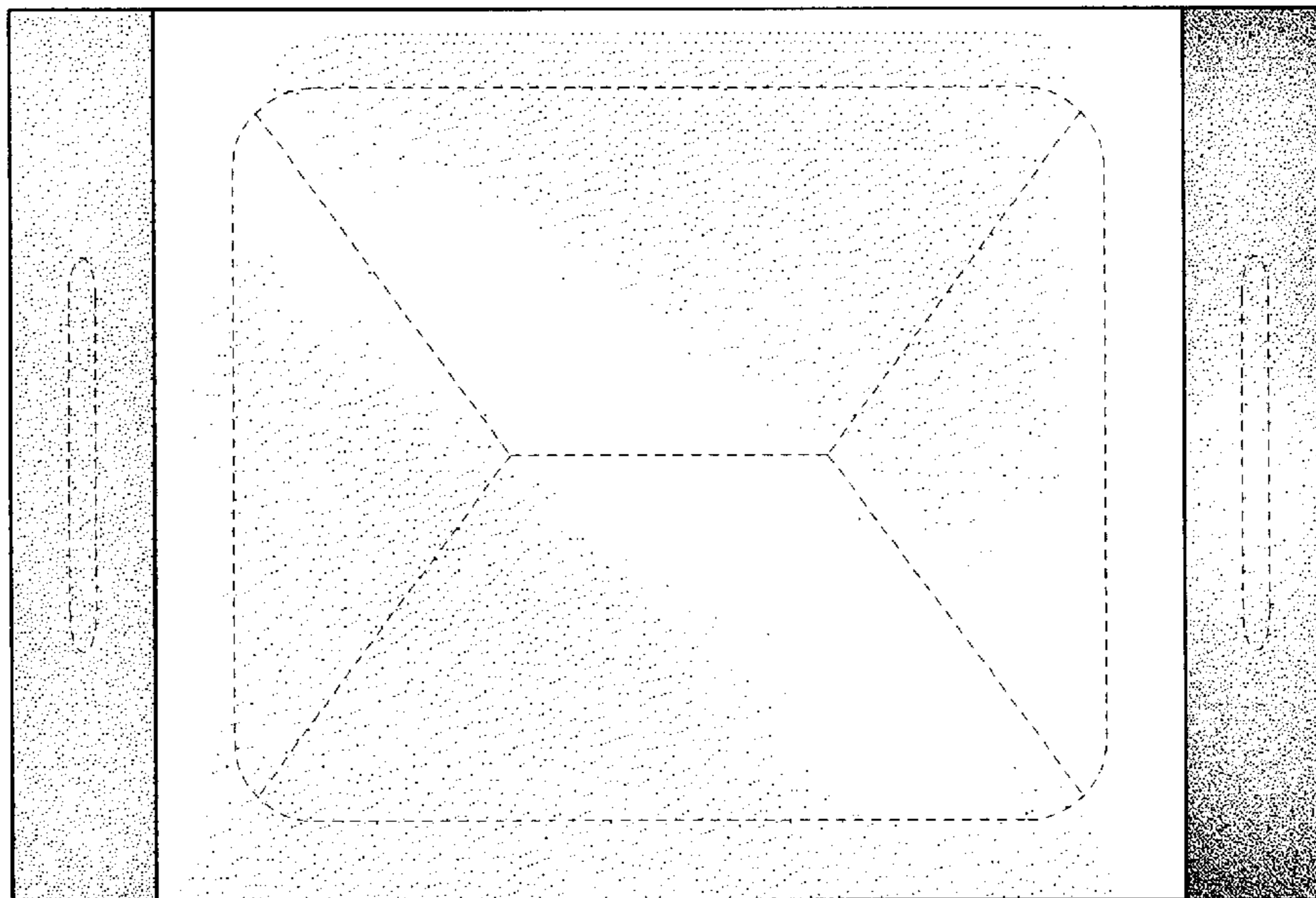


FIG. 3

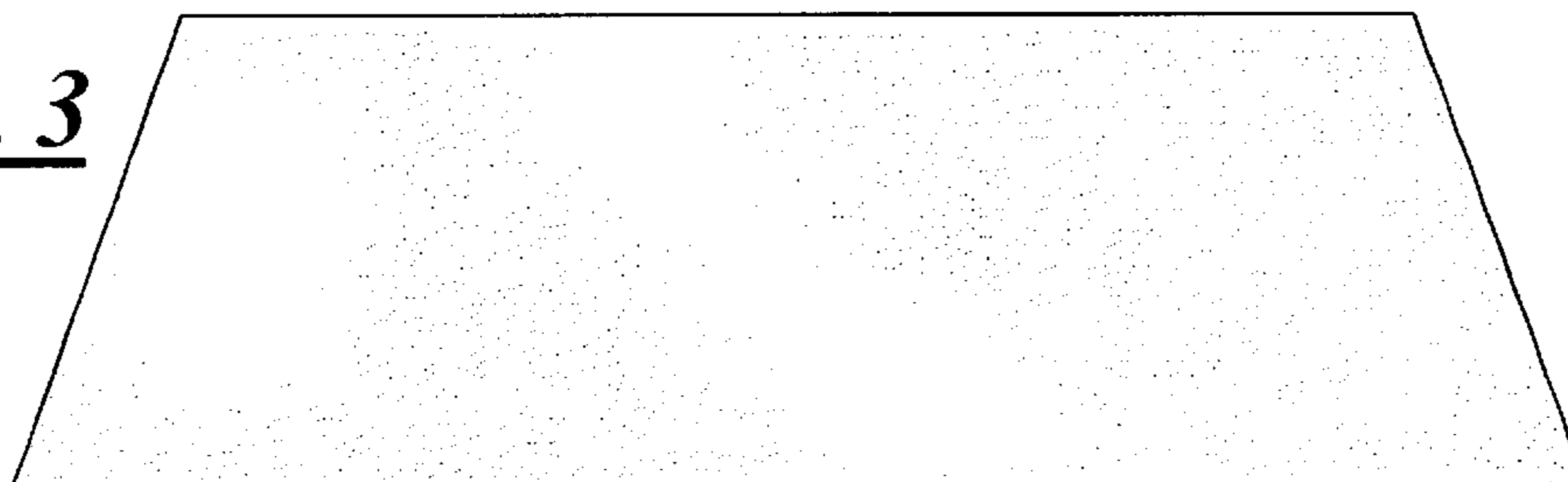


FIG. 4

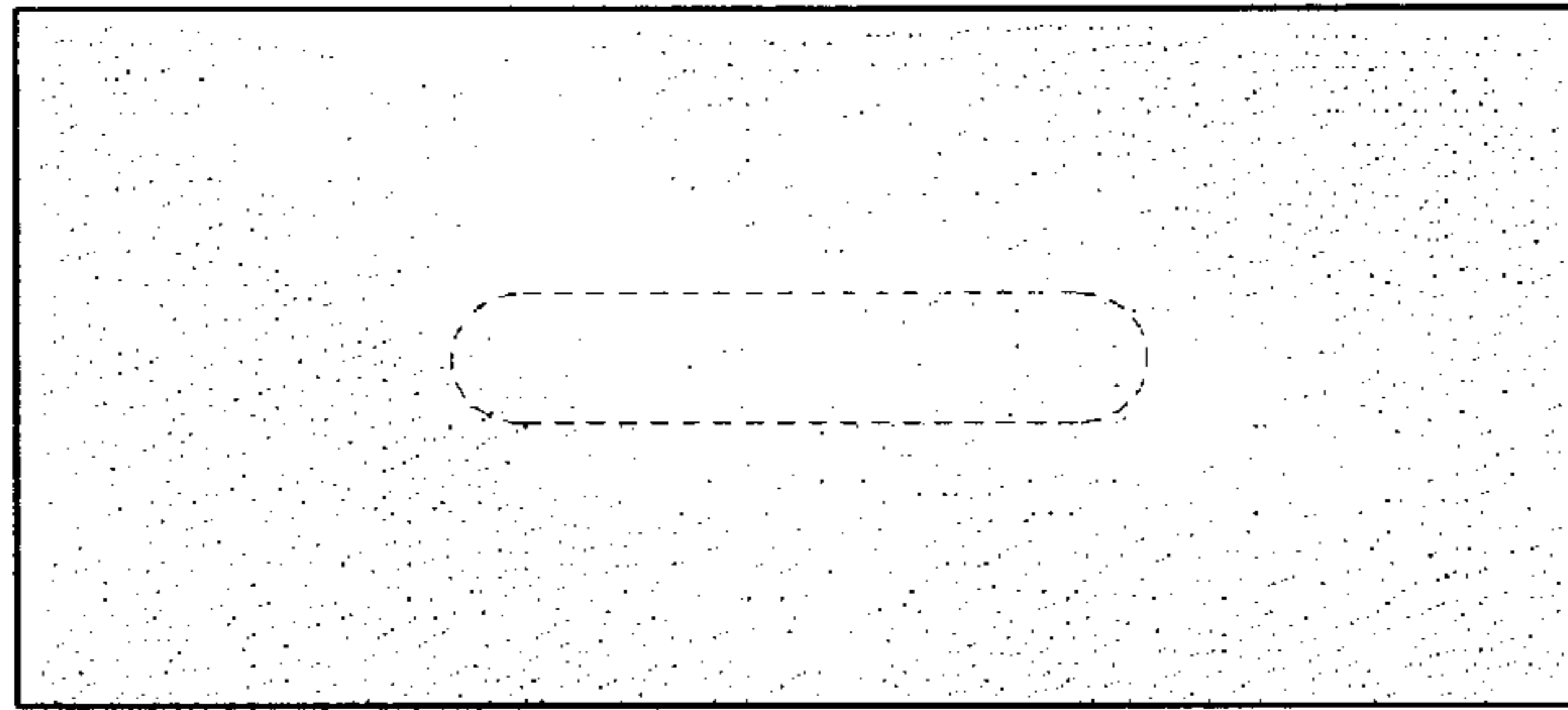


FIG. 5

