

US00D522306S

(12) **United States Design Patent**
Wilgus et al.

(10) **Patent No.:** **US D522,306 S**

(45) **Date of Patent:** **** Jun. 6, 2006**

(54) **PORTABLE STOVE**

(75) Inventors: **Mitchell L. Wilgus**, Andover, KS (US);
Robert F. Mosher, II, Wichita, KS (US)

(73) Assignee: **The Coleman Company, Inc.**, Wichita, KS (US)

(**) Term: **14 Years**

(21) Appl. No.: **29/219,032**

(22) Filed: **Dec. 10, 2004**

(51) **LOC (8) Cl.** **07-02**

(52) **U.S. Cl.** **D7/337; D7/352**

(58) **Field of Classification Search** D7/332,
D7/334-337, 352-353, 357, 361, 402-405,
D7/346, 362-367; 126/25 R, 41 R, 25 A,
126/25 AA, 29-30, 40, 50, 38-39 R, 304 R,
126/305, 9 R, 275 E; 108/115; 99/450, 372;
219/450.1, 451.1, 452.11, 455.11, 385, 520;
248/129, 188.6, 250, 439

See application file for complete search history.

(56) **References Cited**

U.S. PATENT DOCUMENTS

1,133,491 A	3/1915	Moats
1,143,581 A	6/1915	Gates
1,654,662 A	1/1928	Nielsen et al.
1,721,445 A	7/1929	Hall
1,775,165 A	9/1930	Horsrud et al.
1,991,135 A	2/1935	Brown
2,742,893 A	4/1956	Keffer
3,692,013 A	9/1972	Grafton et al.
3,713,432 A	1/1973	Finley
3,789,821 A	2/1974	Fick et al.

4,524,751 A	6/1985	Hoglund	
4,587,948 A	*	5/1986	Haglund 126/38
D328,547 S		8/1992	Dutro et al.
D375,868 S	*	11/1996	Larson D7/361
D405,312 S	*	2/1999	Hoare D7/352
6,112,742 A	*	9/2000	Lin 126/275 E
D446,679 S	*	8/2001	Lin D7/352
D473,417 S	*	4/2003	Martres D7/352
2002/0153366 A1	*	10/2002	Glucksman et al. 219/450.1

OTHER PUBLICATIONS

Unknown, "Thane Q BBQ-Incredible Portable Gas Grill," Thane International, Inc., printed Feb. 10, 2005 at <<http://www.thane.com/html/products/kbh/qgrill/qgrill.html>>, pp. 1-3, (2004).

* cited by examiner

Primary Examiner—Ruth McInroy

(74) *Attorney, Agent, or Firm*—Leydig, Voit & Mayer, Ltd.

(57) **CLAIM**

The ornamental design for a portable stove, as shown and described.

DESCRIPTION

FIG. 1 is a top, left perspective view of a portable stove showing our new design;

FIG. 2 is a top view thereof;

FIG. 3 is a bottom view thereof;

FIG. 4 is a left side view thereof;

FIG. 5 is a right side view thereof;

FIG. 6 is a front view thereof; and,

FIG. 7 is a rear view thereof.

The broken lines are for illustrative purposes only and form no part of the claimed design.

1 Claim, 3 Drawing Sheets

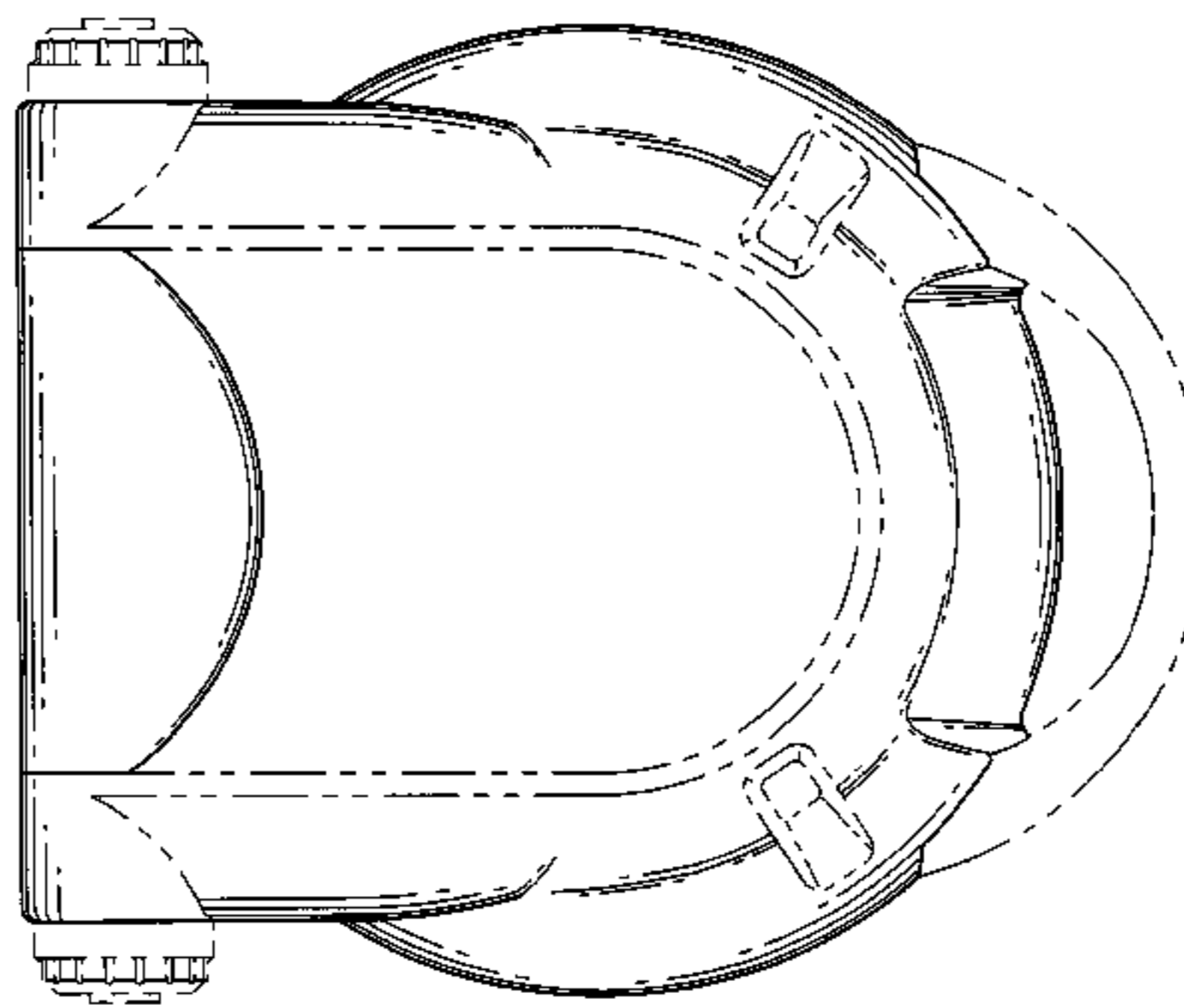
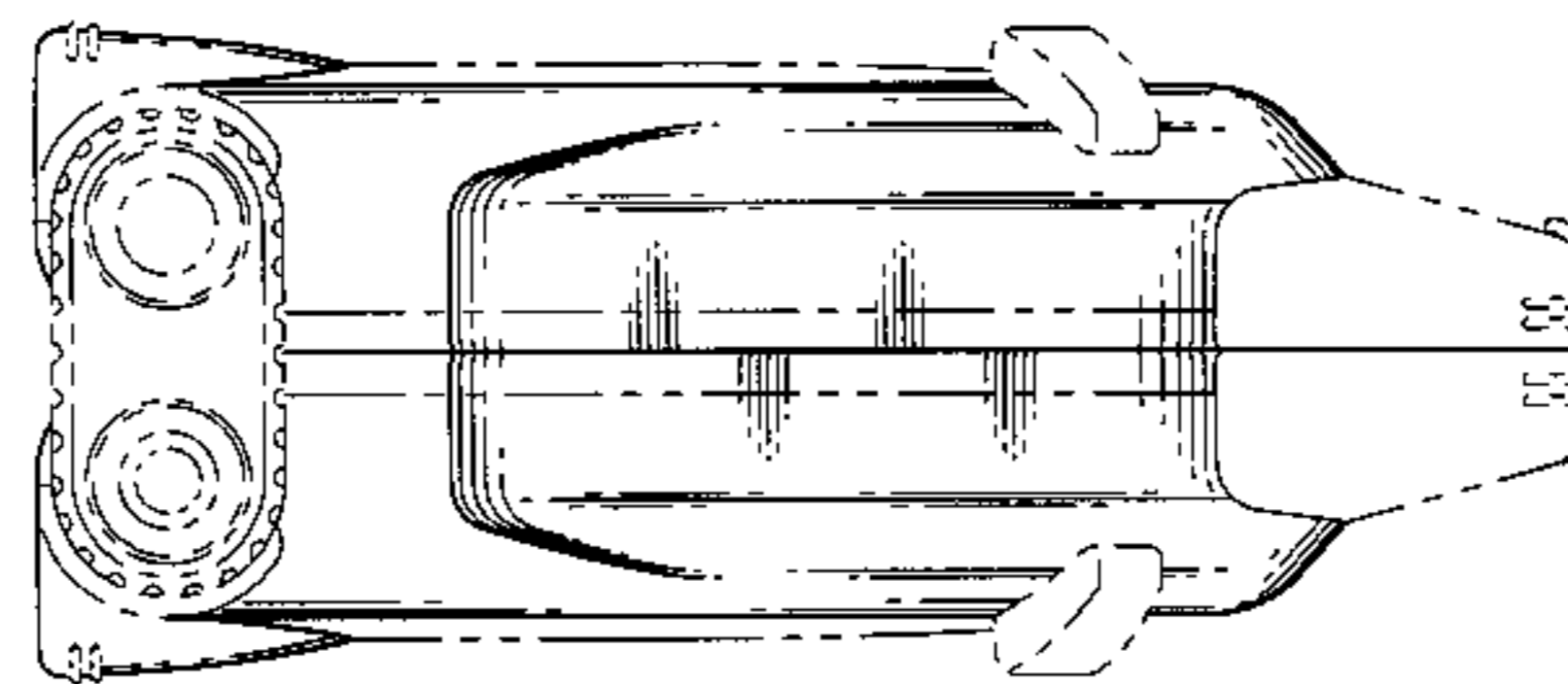
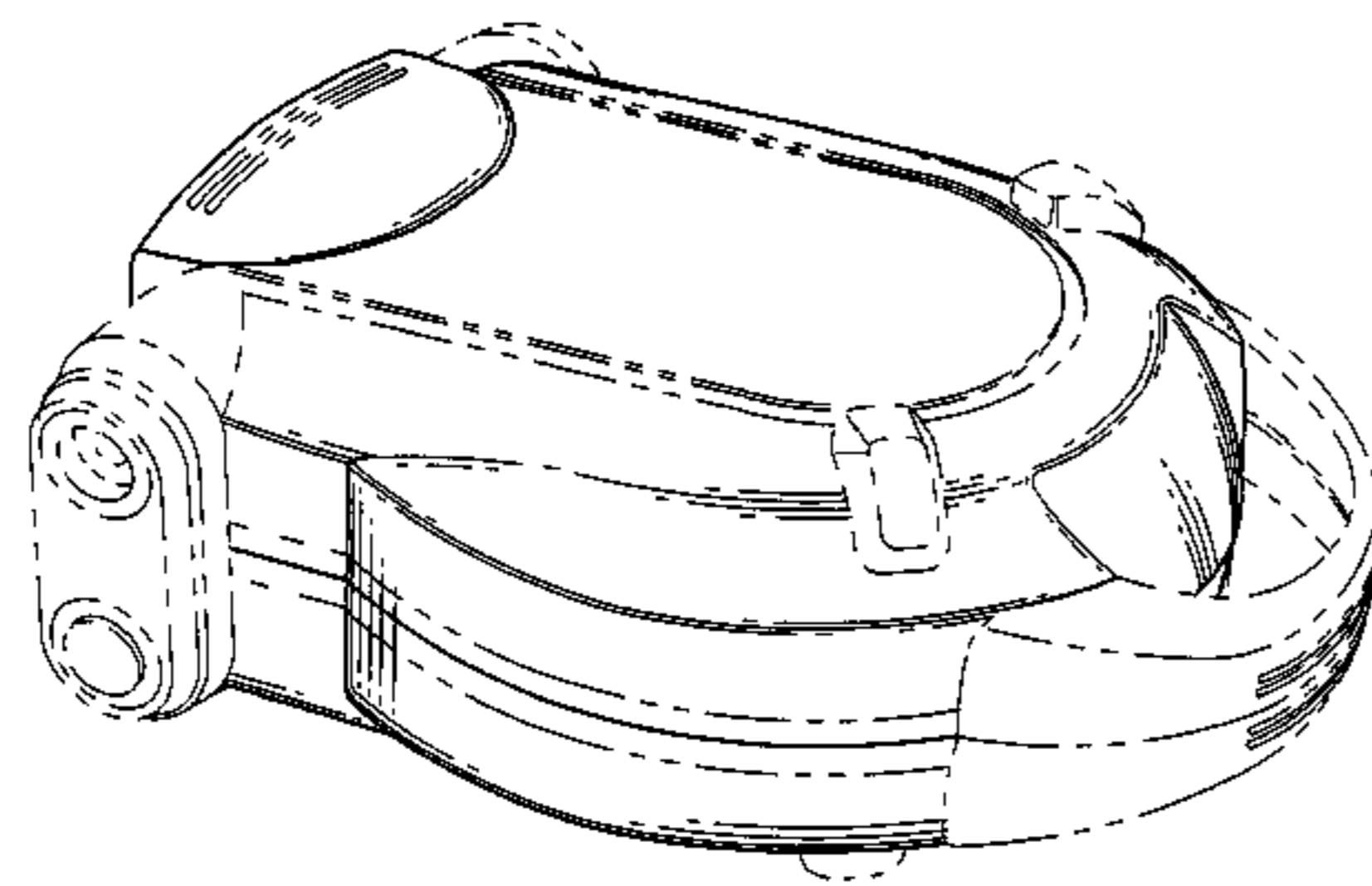


FIG. 1

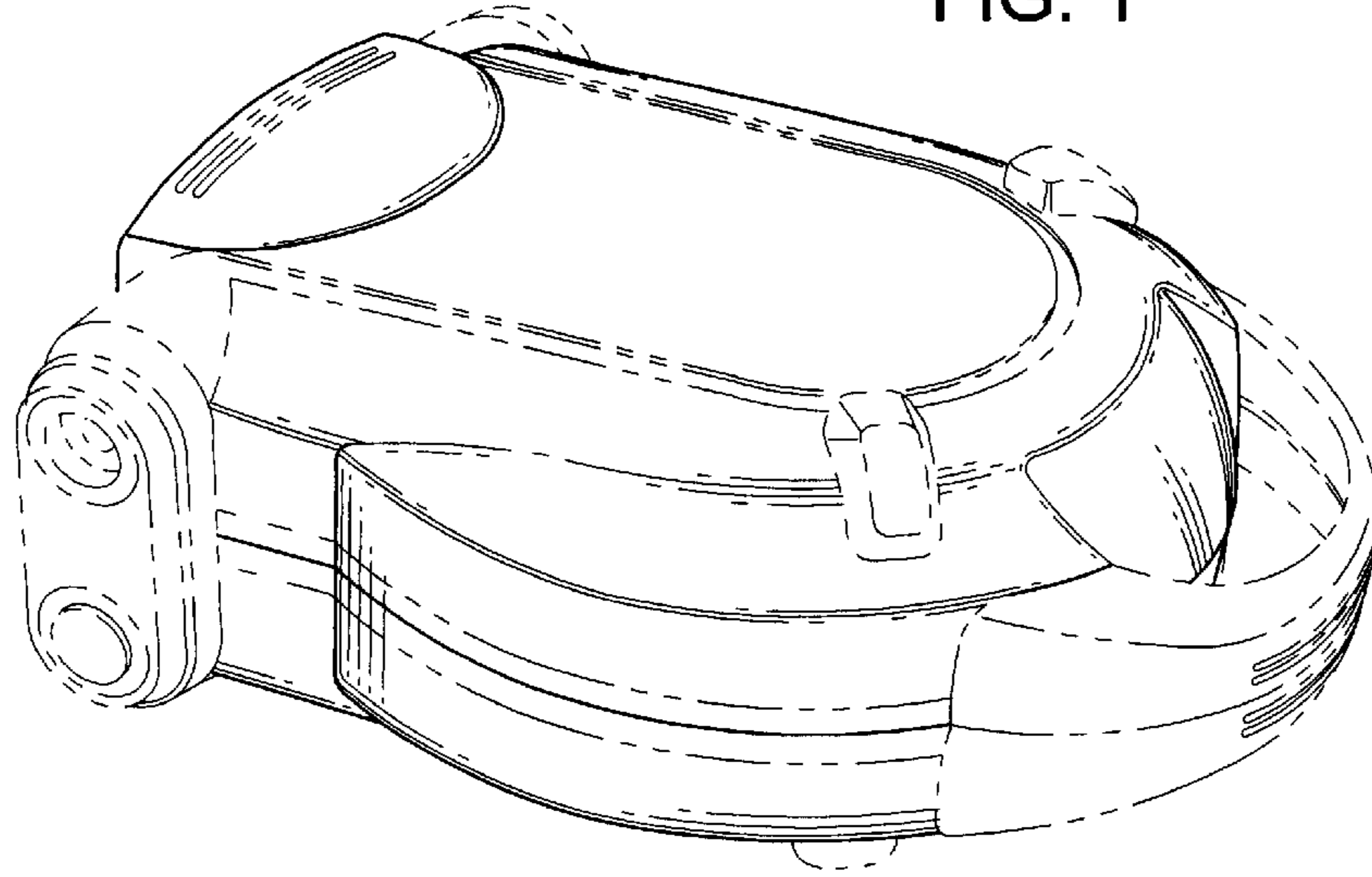


FIG. 2

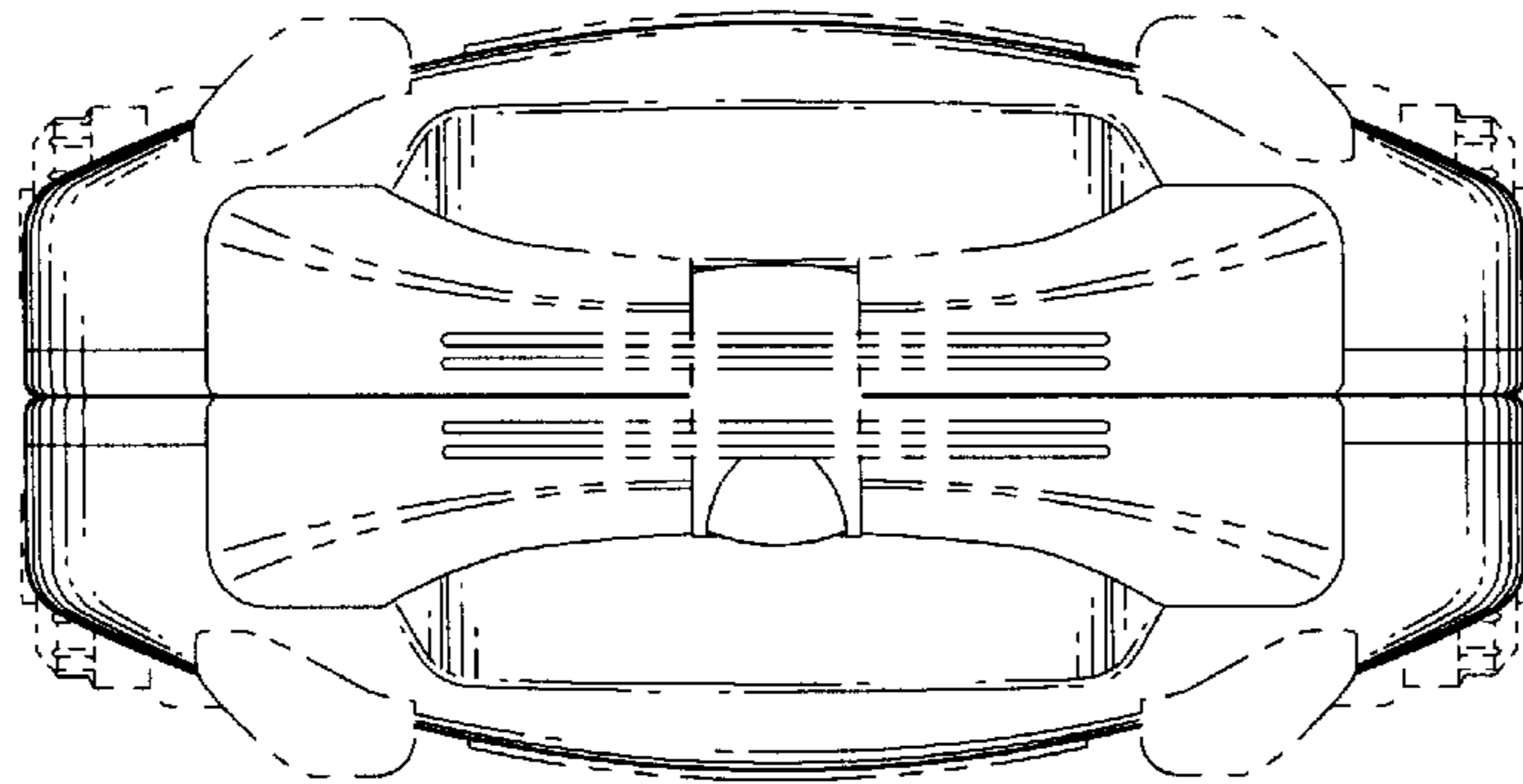


FIG. 3

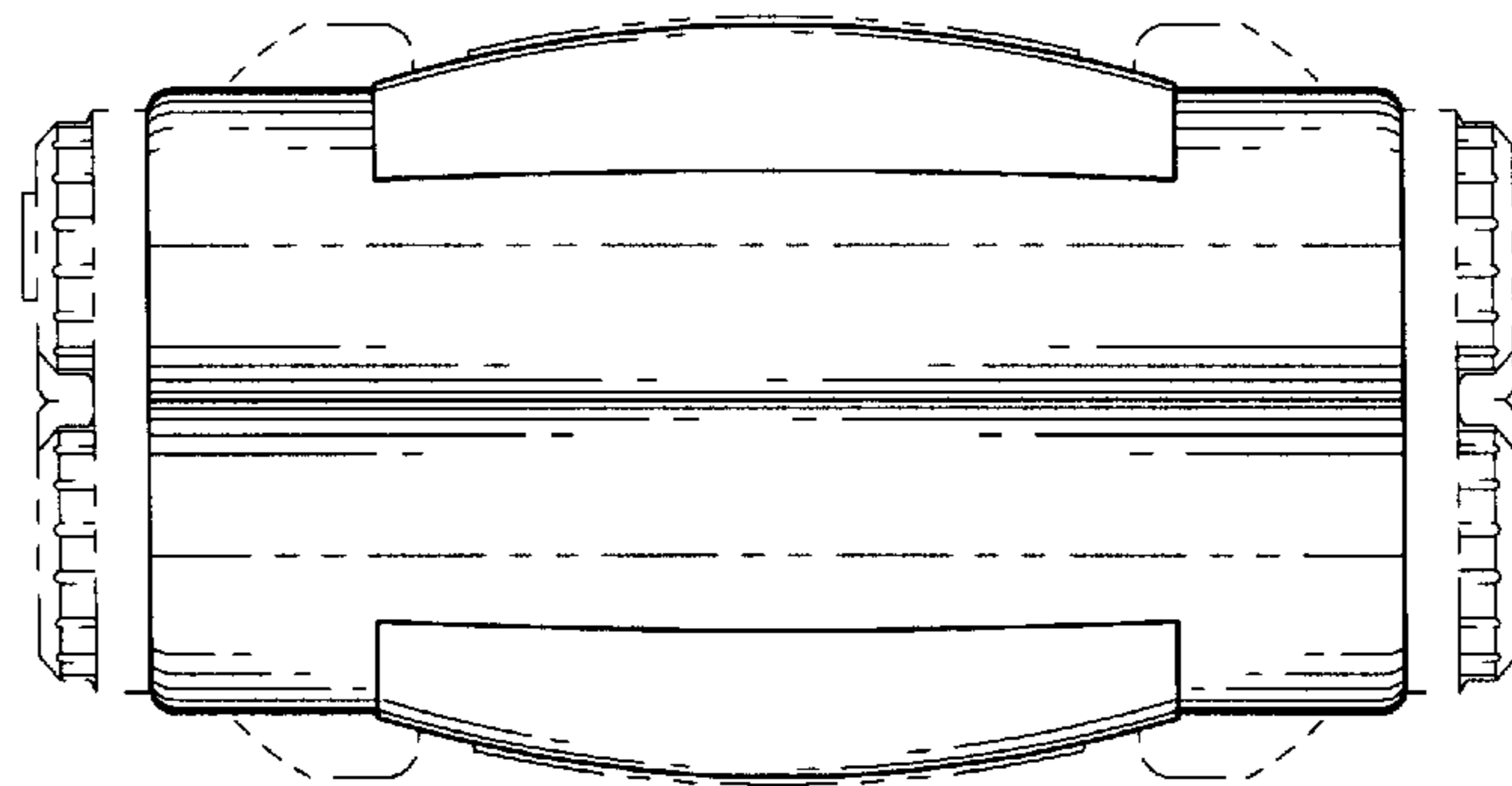


FIG. 4

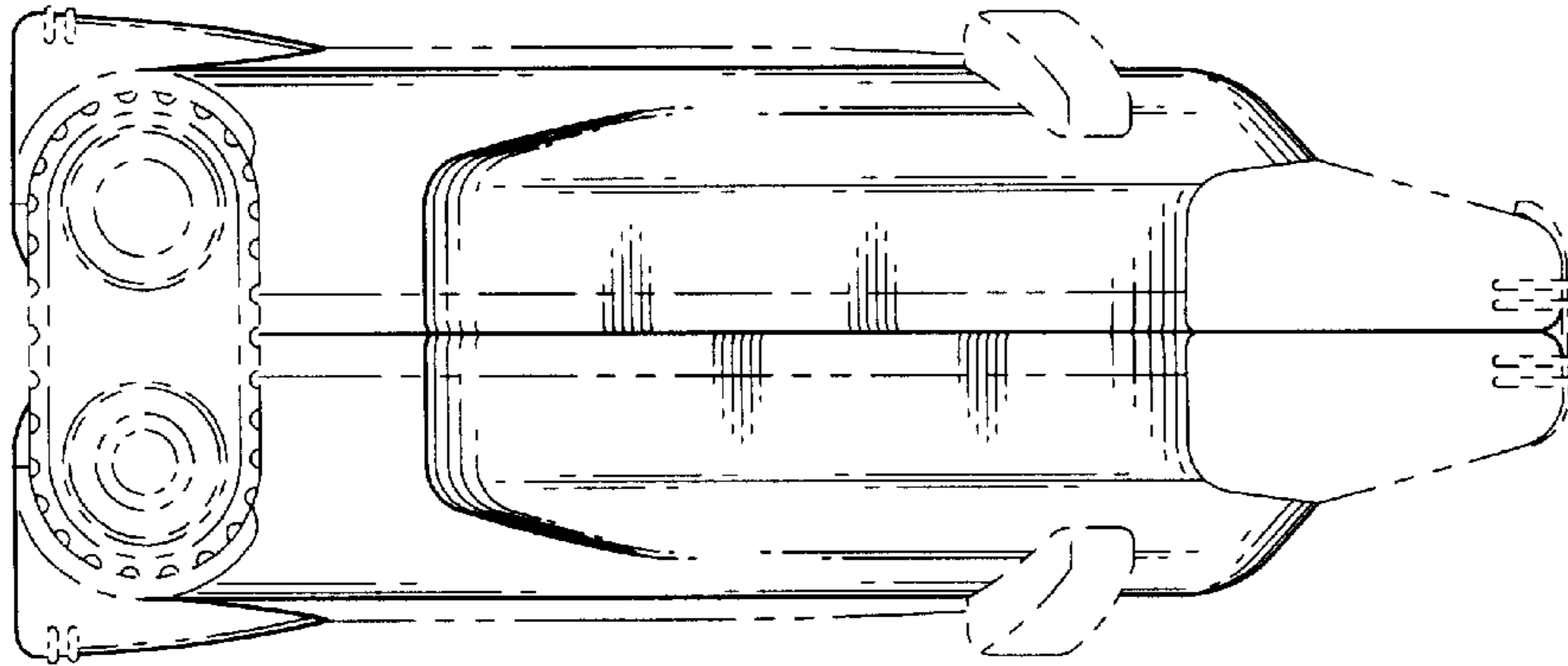


FIG. 5

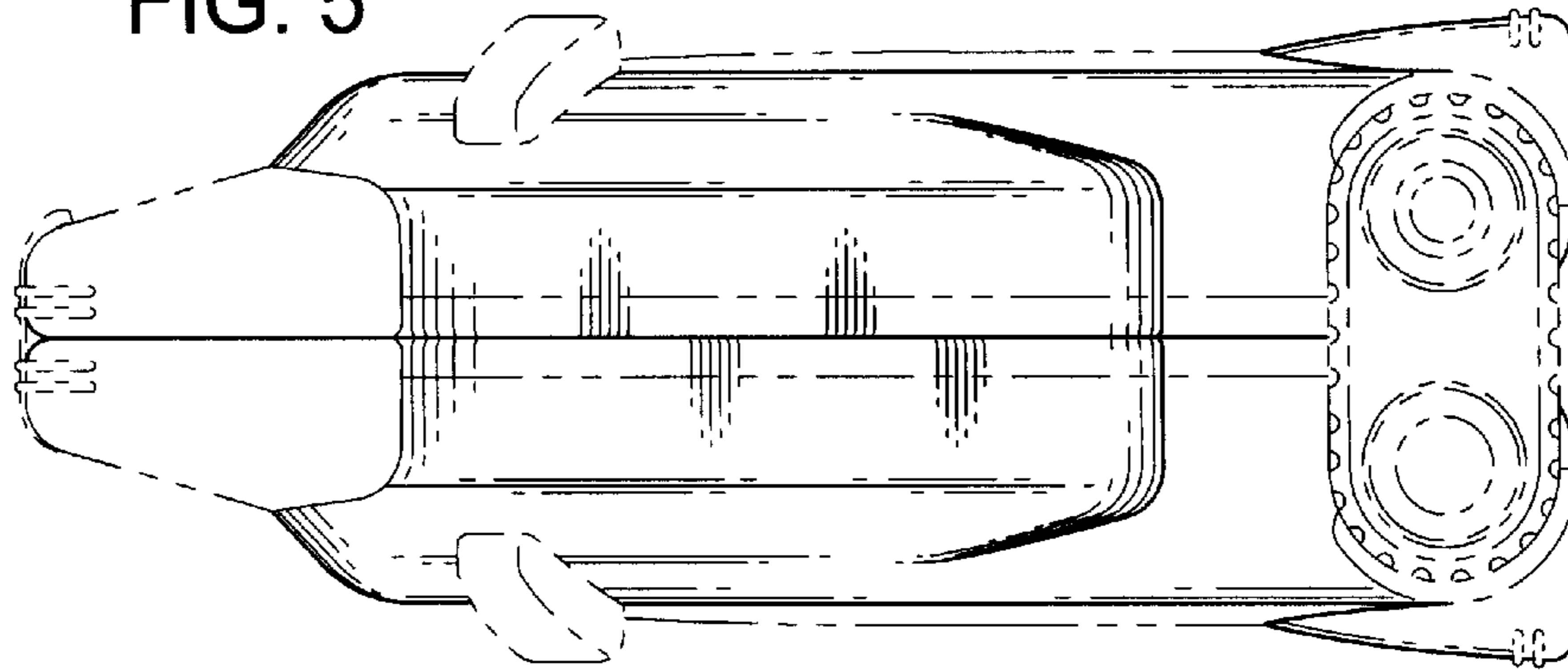


FIG. 6

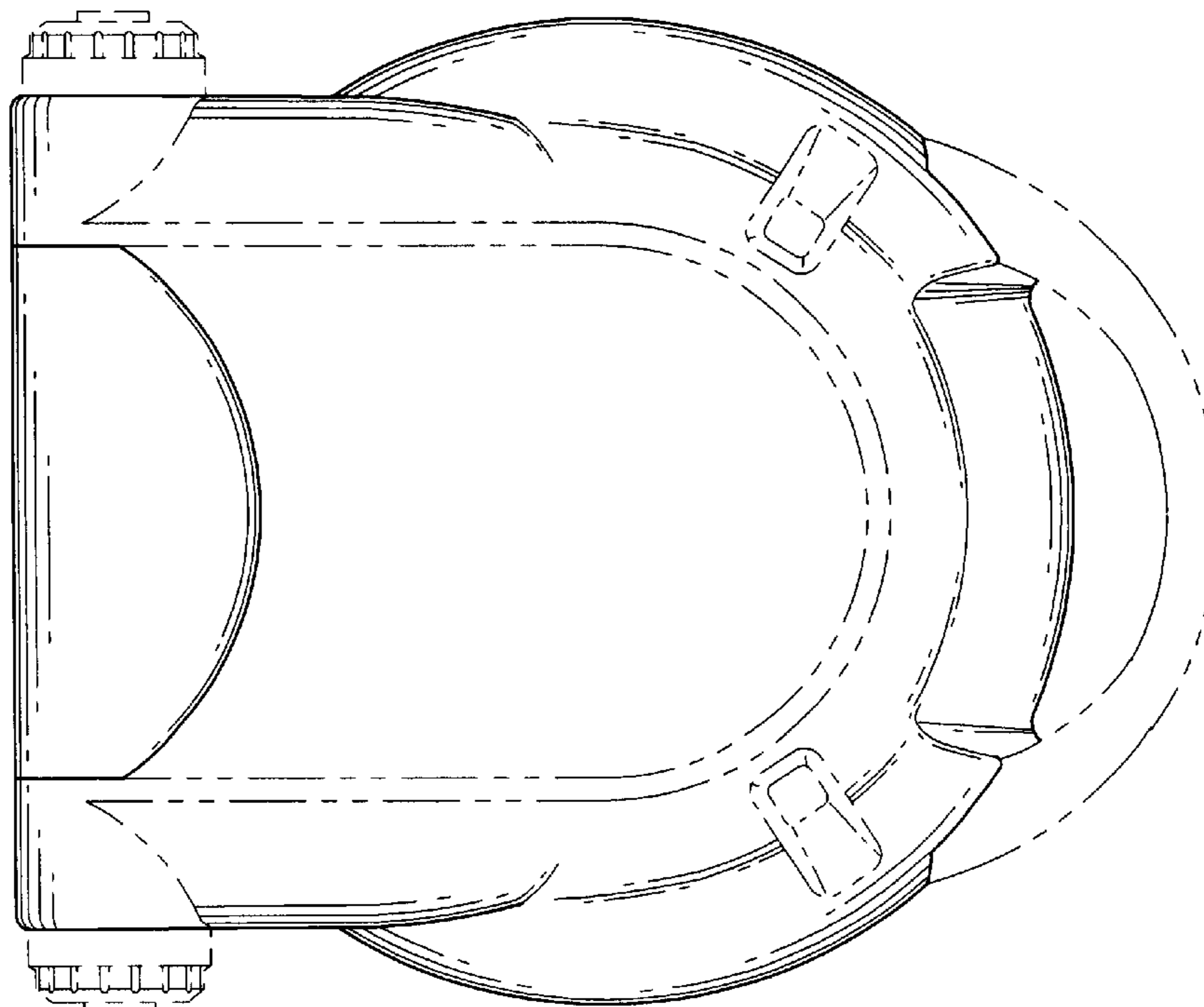


FIG. 7

