



US00D522305S

(12) **United States Design Patent**
Morgan

(10) **Patent No.:** **US D522,305 S**
(45) **Date of Patent:** **** Jun. 6, 2006**

(54) **TOASTER**

D472,421 S * 4/2003 To D7/330
D490,267 S * 5/2004 Berthier D7/330

(75) Inventor: **Mark Morgan**, Hants (GB)

* cited by examiner

(73) Assignee: **Kenwood Marks Limited**, Hampshire (GB)

Primary Examiner—Caron D. Veynar
Assistant Examiner—Ricky Pham

(**) Term: **14 Years**

(74) *Attorney, Agent, or Firm*—Martin Fleit; Paul D. Bianco; Fleit Kain Gibbons Gutman Bongini & Bianco

(21) Appl. No.: **29/199,001**

(57) **CLAIM**

(22) Filed: **Feb. 6, 2004**

The ornamental design for a toaster, as shown and described.

(30) **Foreign Application Priority Data**

DESCRIPTION

Aug. 11, 2003 (EP) 000063490-0003

FIG. 1 is a top plan view of the toaster showing my new design;

(51) **LOC (8) Cl.** **07-02**

FIG. 2 is a top perspective view of the toaster shown in FIG. 1;

(52) **U.S. Cl.** **D7/330**

FIG. 3 is a side elevation view of the toaster shown in FIG. 1;

(58) **Field of Classification Search** D7/323, D7/328-330, 390; 99/331, 332, 357, 375, 99/385; 219/388, 405, 450.1; D21/525
See application file for complete search history.

FIG. 4 is an end elevation view of the toaster shown in FIG. 1;

FIG. 5 is a side elevation view with the removable toast rack in place;

(56) **References Cited**

FIG. 6 is a top plan view with the toast rack in place;

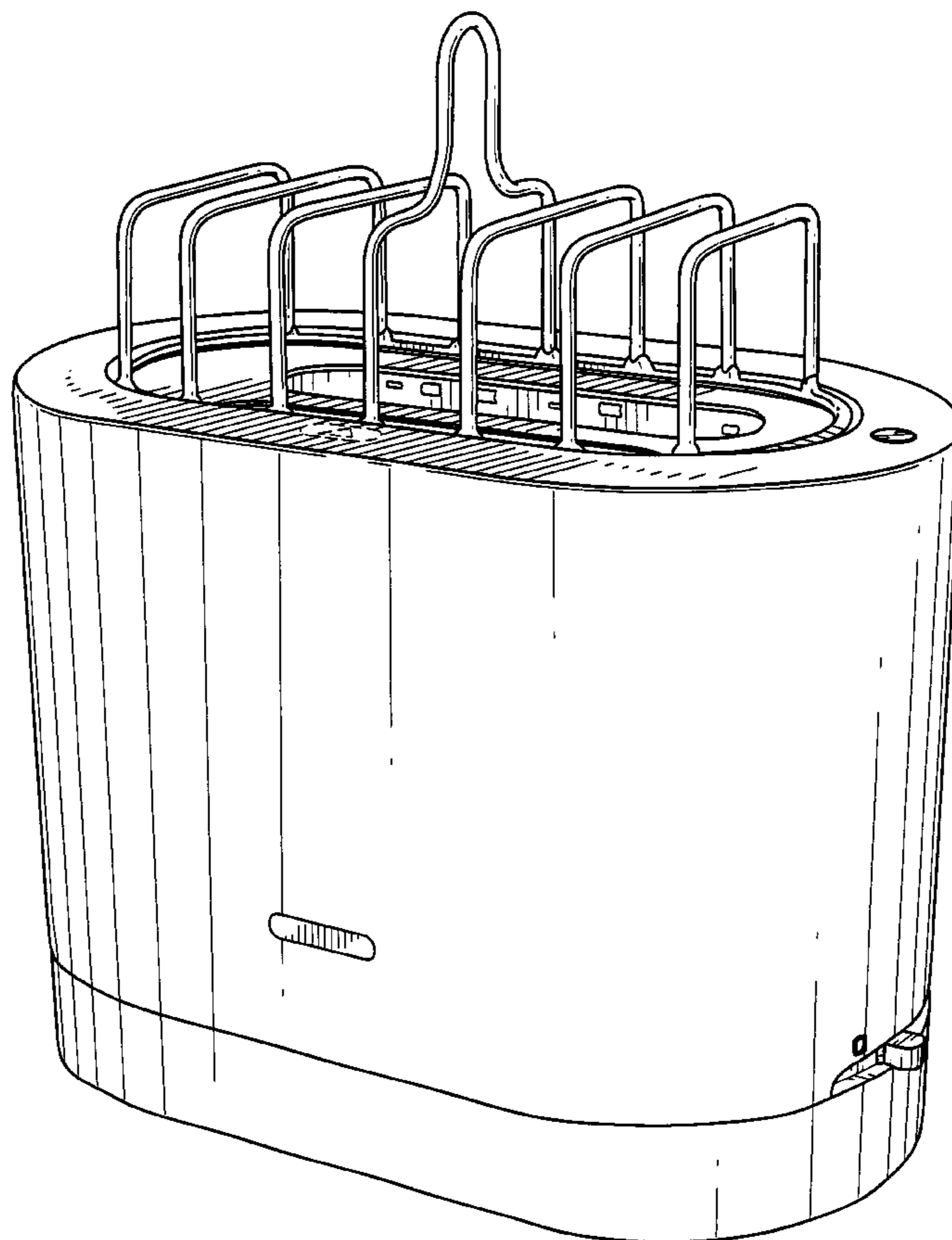
U.S. PATENT DOCUMENTS

FIG. 7 is a top perspective view with the toast rack in place; and,

D377,133 S * 1/1997 Stutzer et al. D7/330

FIG. 8 is a bottom plan view of the toaster in FIG. 1.

1 Claim, 8 Drawing Sheets



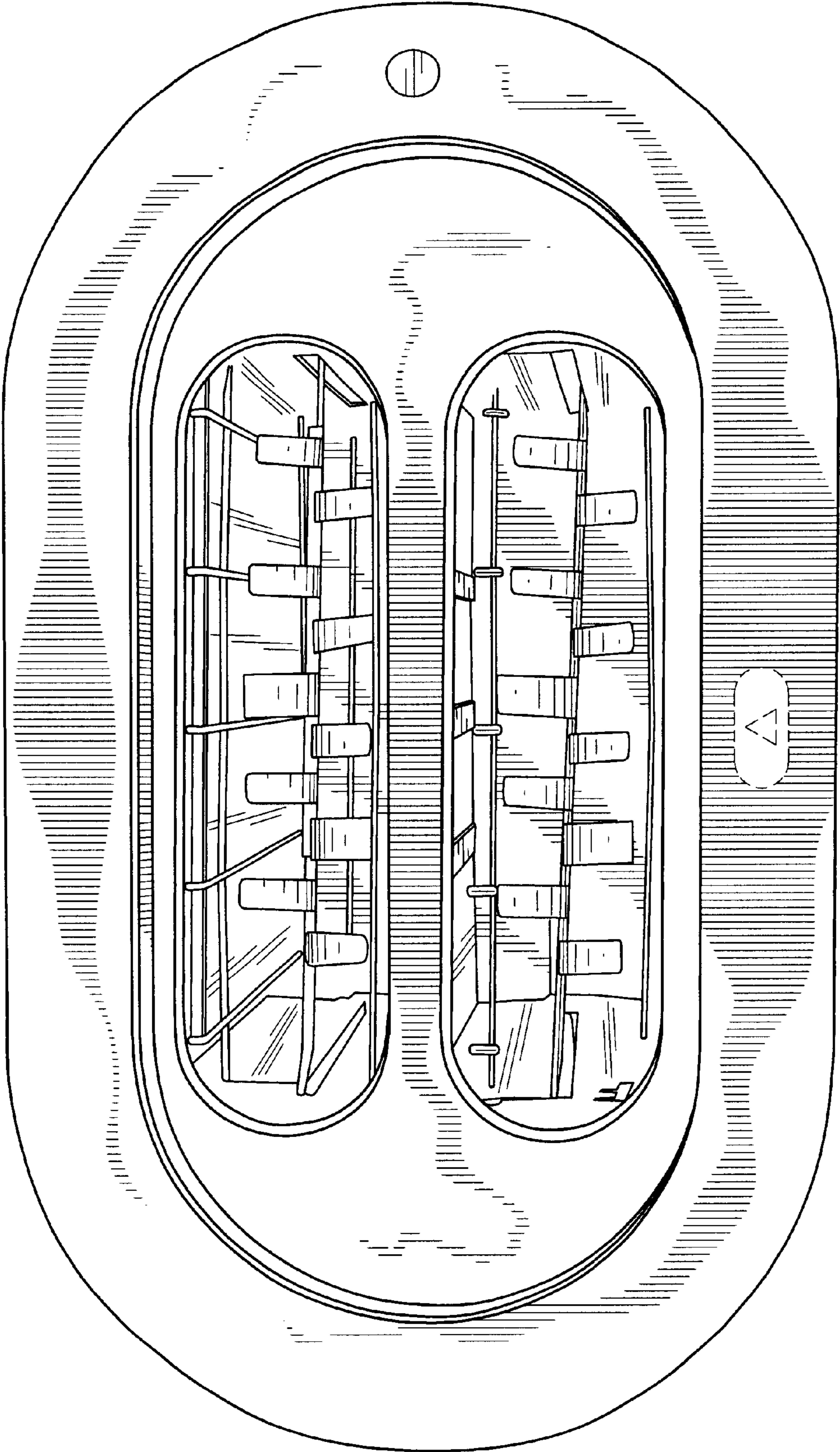


FIG. 1

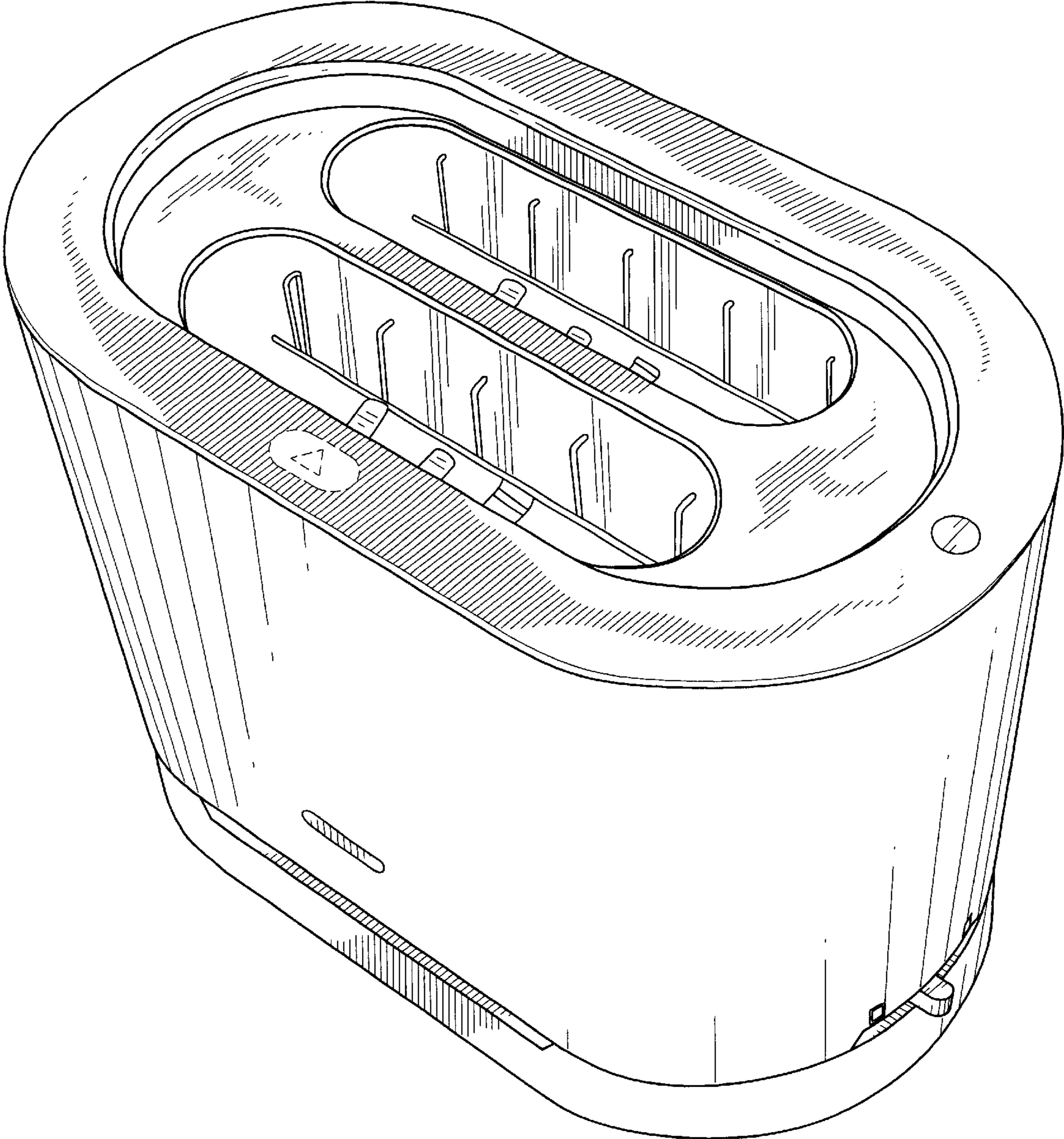


FIG.2

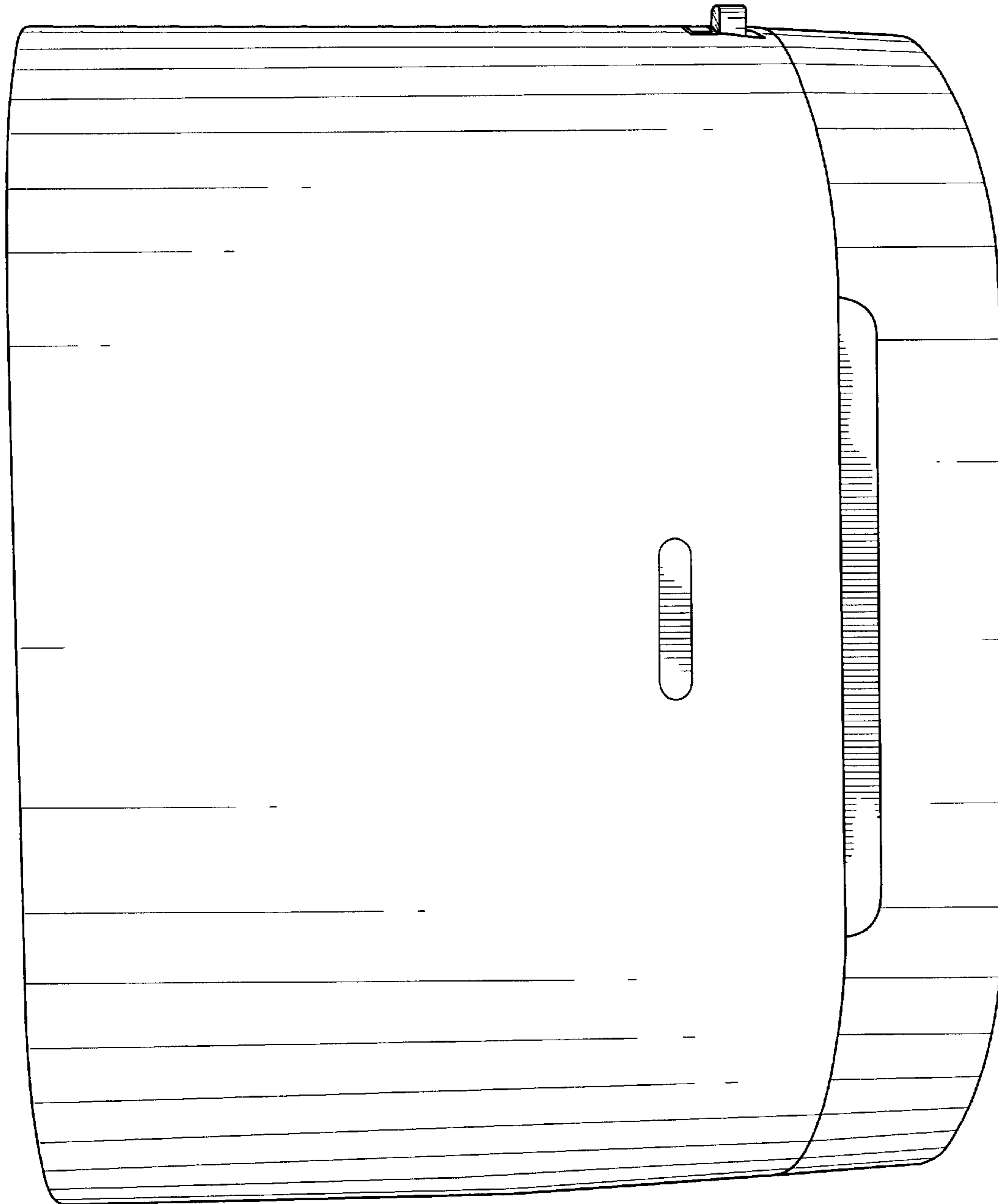


FIG. 3

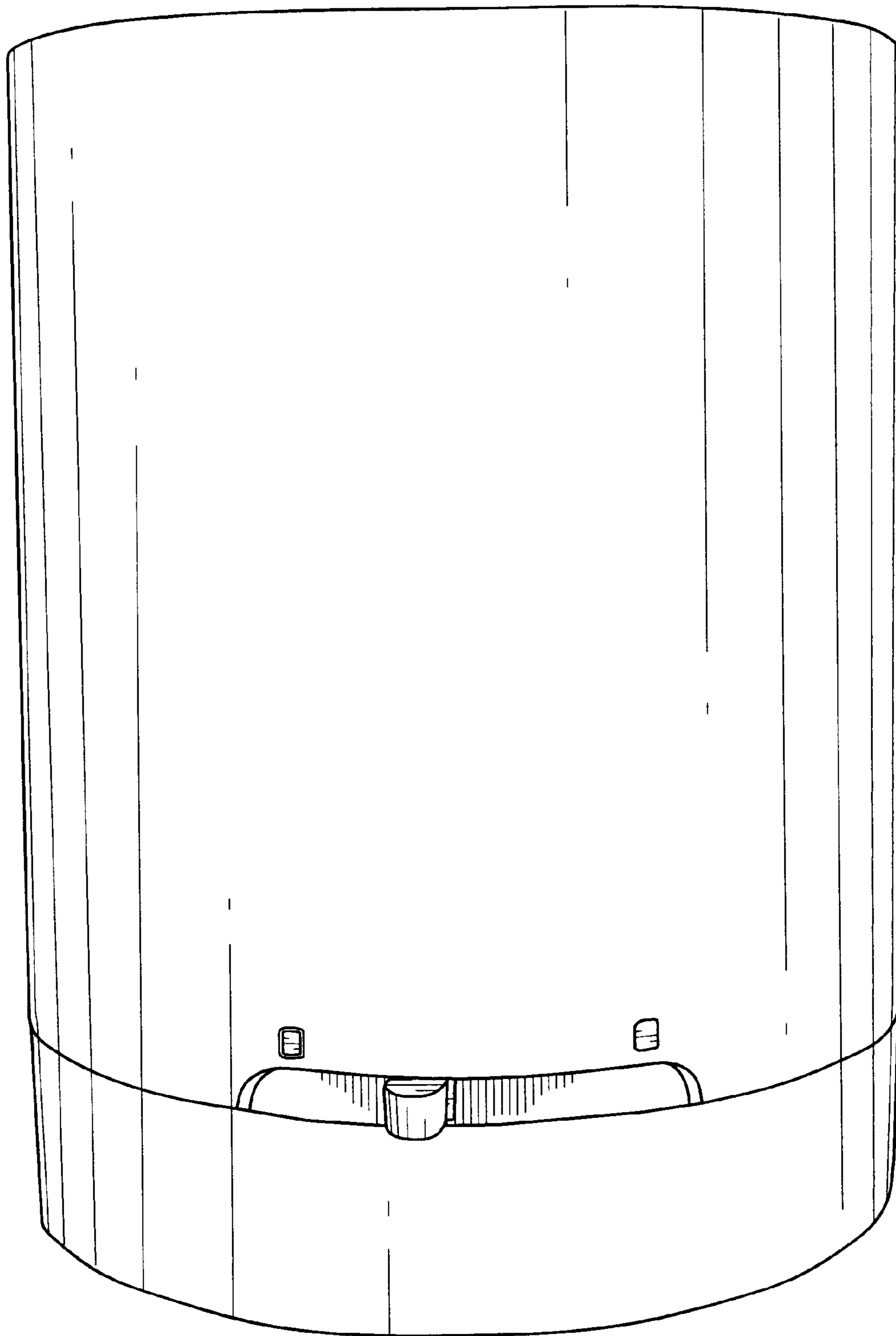


FIG. 4

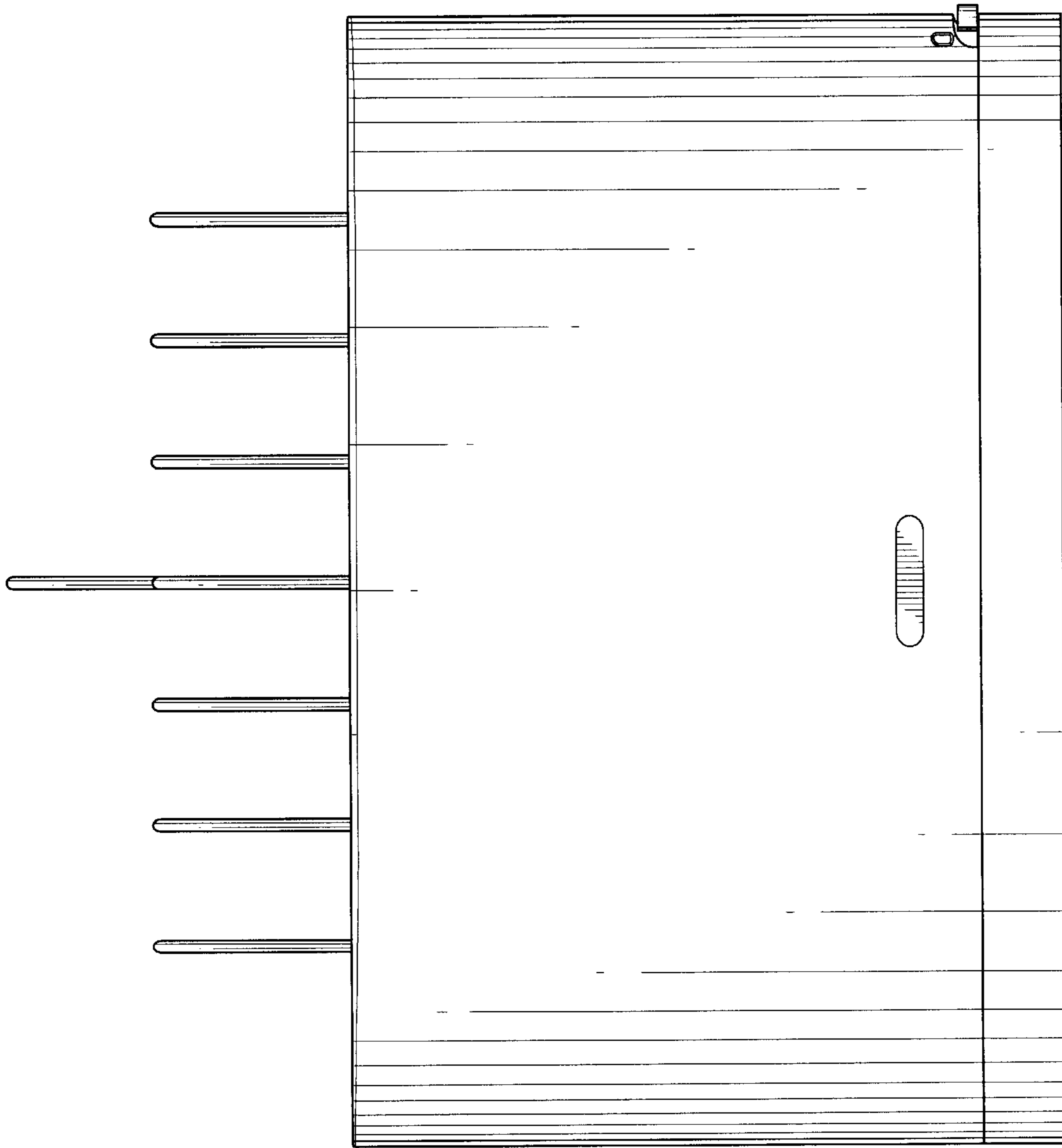


FIG. 5

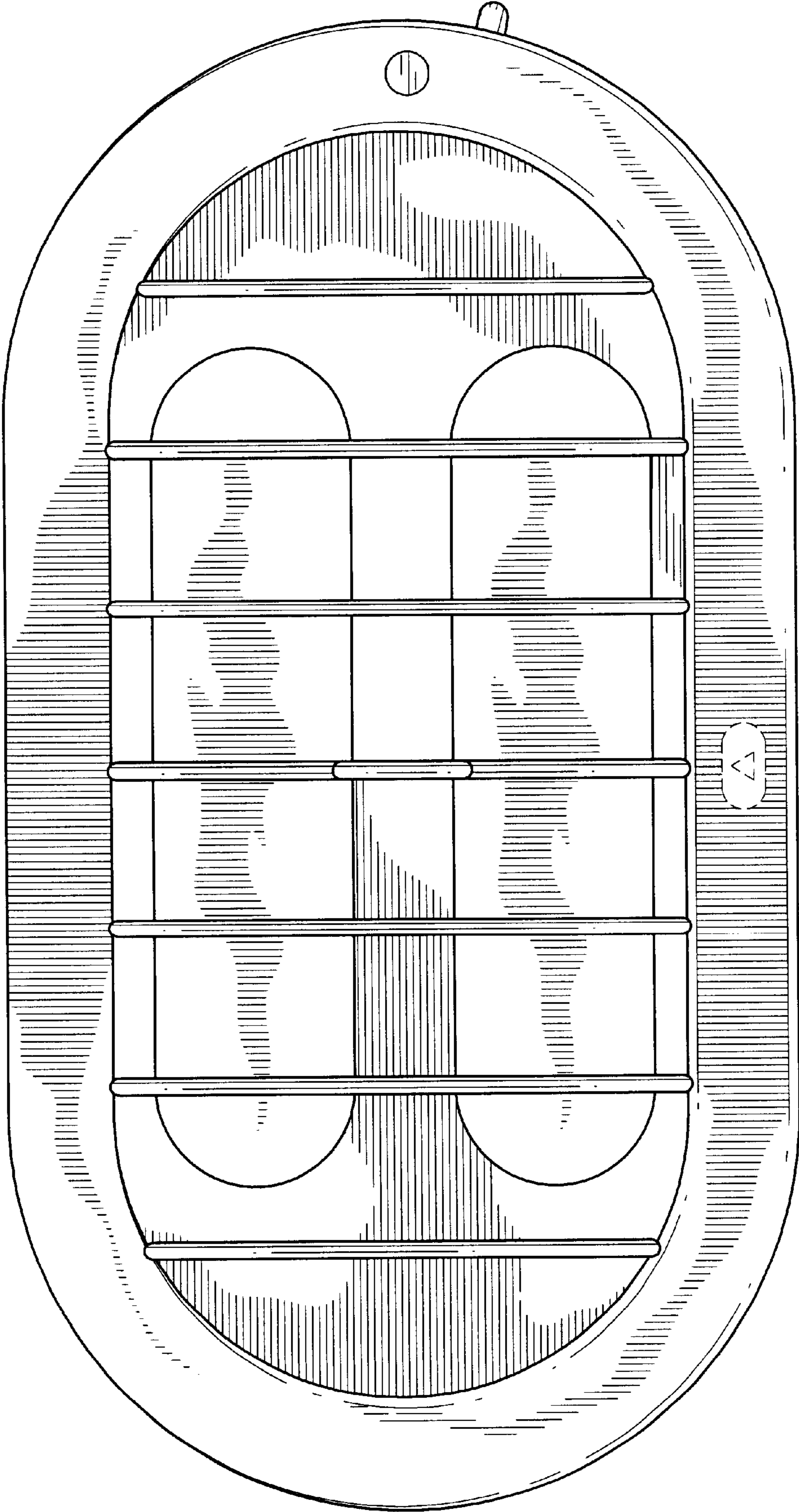


FIG. 6

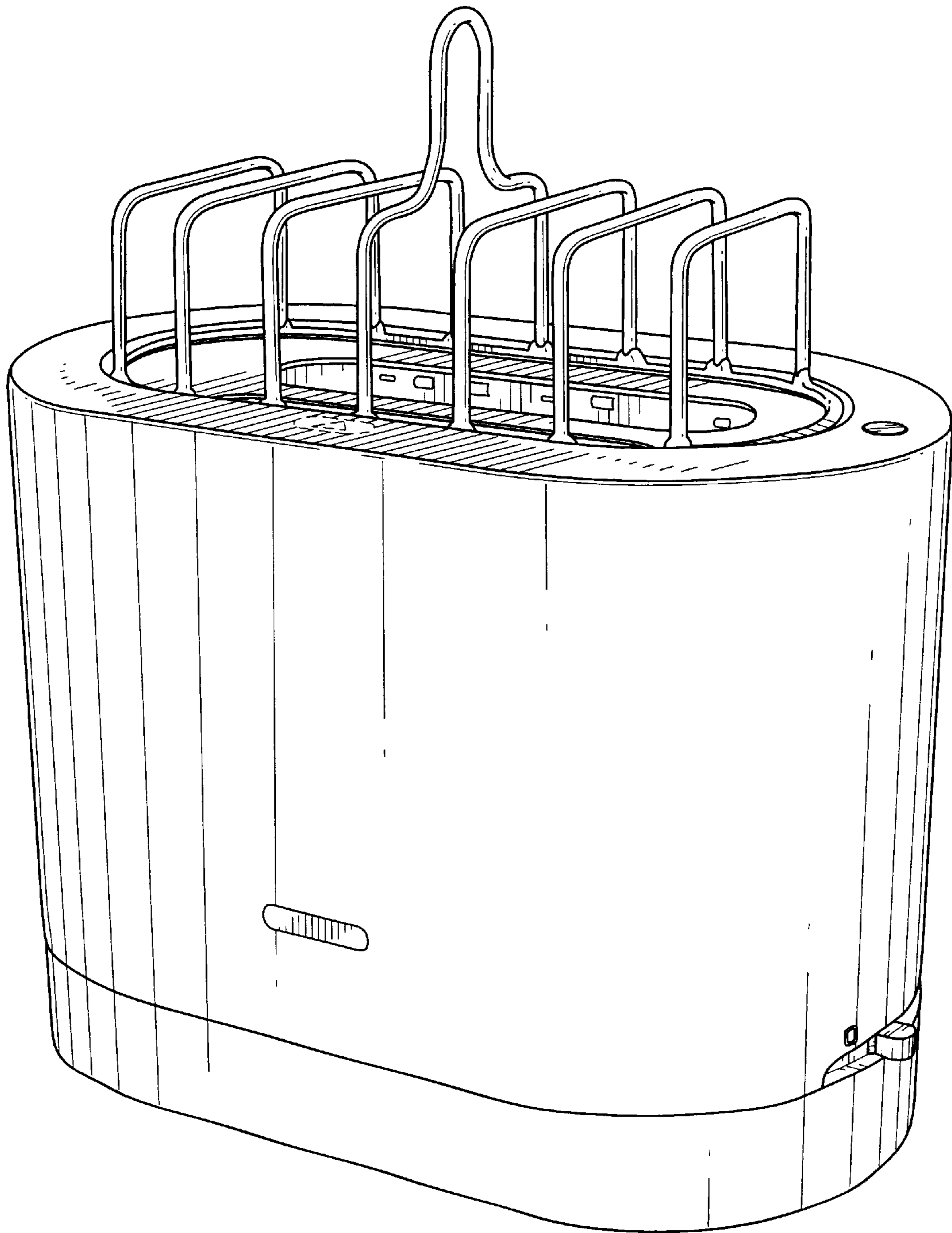


FIG. 7

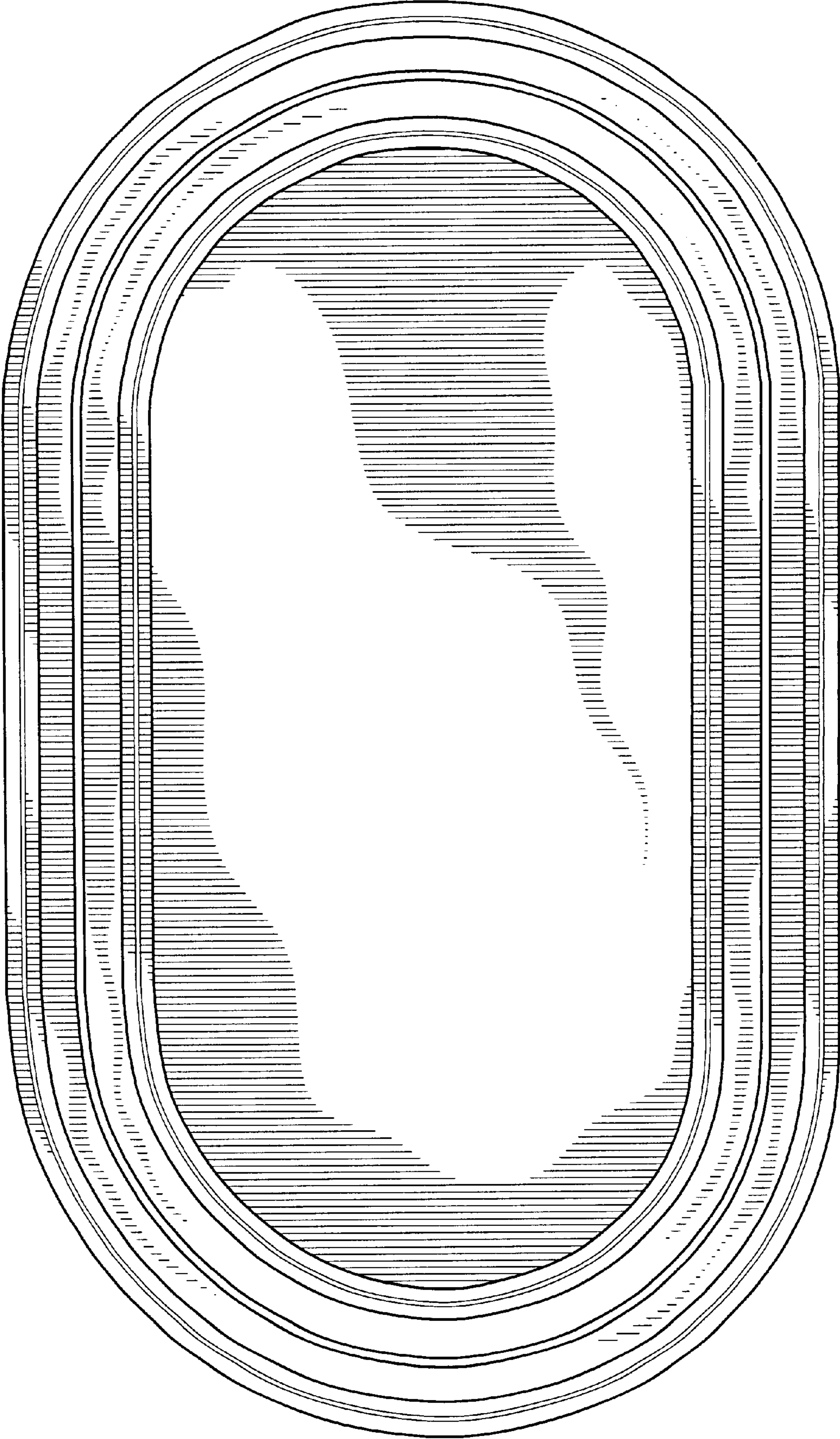


FIG. 8