



US00D522297S

(12) **United States Design Patent**  
**Miller et al.**

(10) **Patent No.:** **US D522,297 S**  
(45) **Date of Patent:** **\*\* Jun. 6, 2006**

(54) **HEADRAIL FOR COVERING FOR ARCHITECTURAL OPENINGS**

(75) Inventors: **James L. Miller**, Henderson, CO (US);  
**Kent A. Smith**, Broomfield, CO (US);  
**Terrence M. Drew**, Superior, CO (US)

(73) Assignee: **Hunter Douglas Inc.**, Upper Saddle River, NJ (US)

(\*\*) Term: **14 Years**

(21) Appl. No.: **29/225,525**

(22) Filed: **Mar. 15, 2005**

(51) **LOC (8) Cl.** ..... **06-10**

(52) **U.S. Cl.** ..... **D6/580**

(58) **Field of Classification Search** ..... D6/575,  
D6/577, 580; D8/376, 377; D25/119-123;  
160/34, 35, 349.1, 349.2; 52/782.2  
See application file for complete search history.

(56) **References Cited**

**U.S. PATENT DOCUMENTS**

D68,971 S	*	12/1925	Kirsch	.....	D8/376
D68,972 S	*	12/1925	Kirsch	.....	D8/376
D324,108 S	*	2/1992	Colson	.....	D25/119
D368,551 S	*	4/1996	Richards	.....	D27/162
D379,524 S	*	5/1997	Leonelli	.....	D25/119
D439,461 S	*	3/2001	Brunell	.....	D6/580
D440,100 S	*	4/2001	Horsten	.....	D6/580
D440,444 S	*	4/2001	Sonnenberg et al.	.....	D6/580

D443,788 S	*	6/2001	Horsten	.....	D6/580
D455,336 S	*	4/2002	Anderson	.....	D8/377
D472,456 S	*	4/2003	Snyder	.....	D8/394
D488,945 S	*	4/2004	Bibby et al.	.....	D6/580
D489,209 S	*	5/2004	Goldberg	.....	D6/580
D490,167 S	*	5/2004	Eichner et al.	.....	D25/119
D497,758 S	*	11/2004	Goldberg	.....	D6/580
D502,037 S	*	2/2005	Nien	.....	D6/580
D511,013 S	*	10/2005	Bullock, Jr.	.....	D25/119

\* cited by examiner

*Primary Examiner*—Holly Baynham

*Assistant Examiner*—Cynthia M. Chin

(74) *Attorney, Agent, or Firm*—Dorsey & Whitney LLP

(57) **CLAIM**

The ornamental design for a headrail for covering for architectural openings, as shown and described.

**DESCRIPTION**

FIG. 1 is an isometric looking at the rear of the headrail.

FIG. 2 is an isometric looking at the front of the headrail.

FIG. 3 is a top plan view.

FIG. 4 is a left side elevation of the headrail shown in FIG.

2.

FIG. 5 is a front elevation.

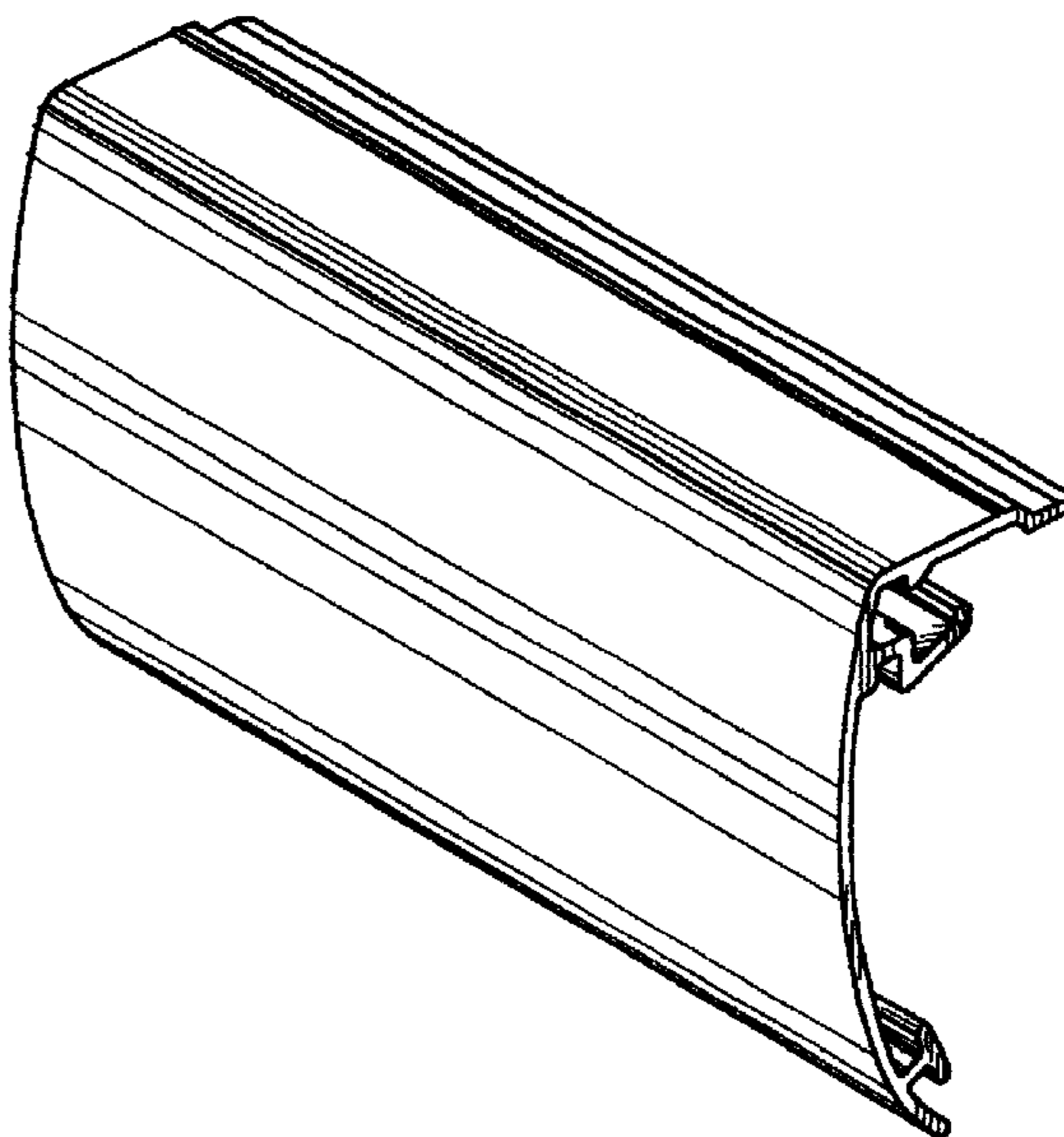
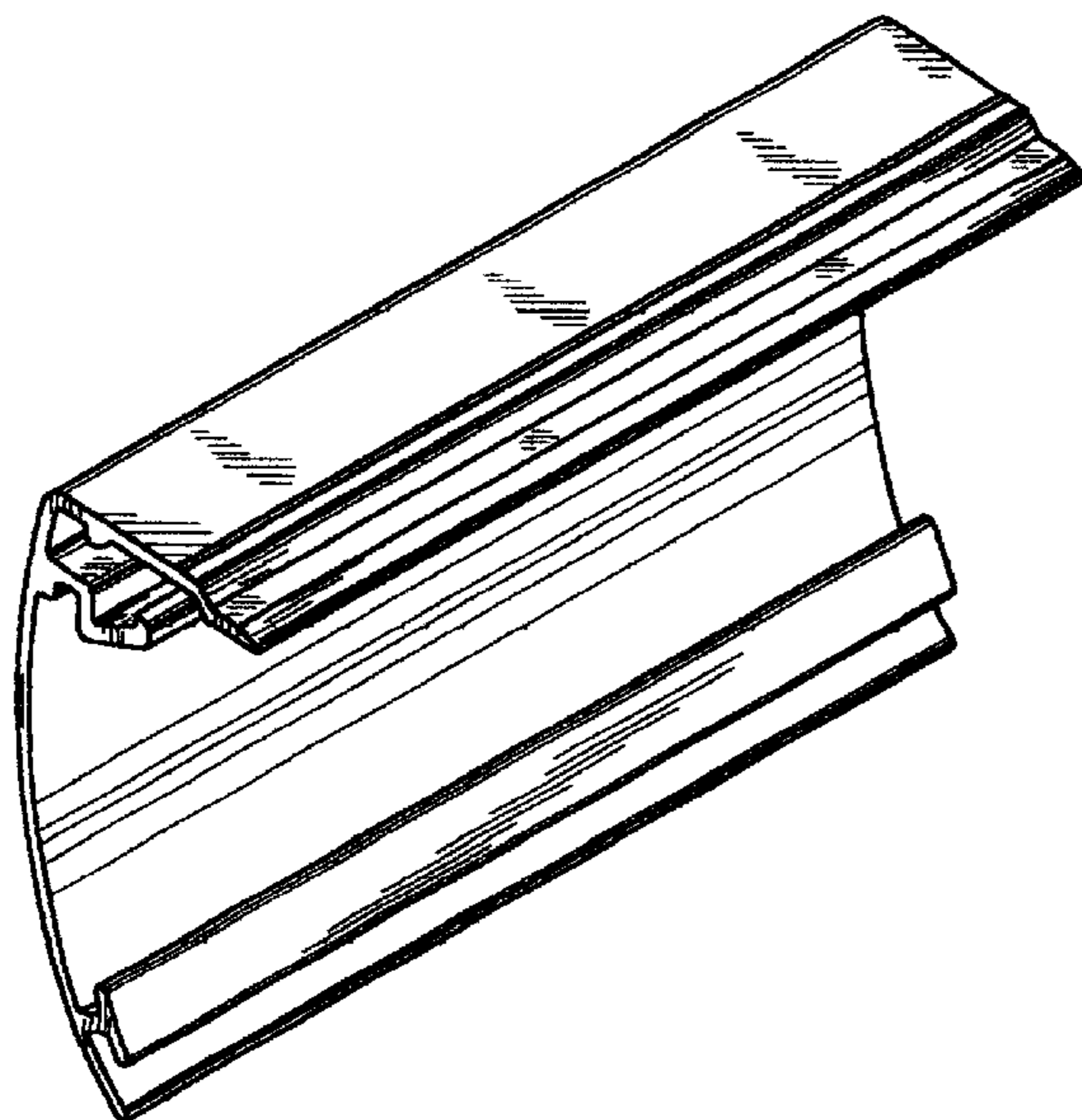
FIG. 6 is a right side elevation of the headrail shown in FIG.

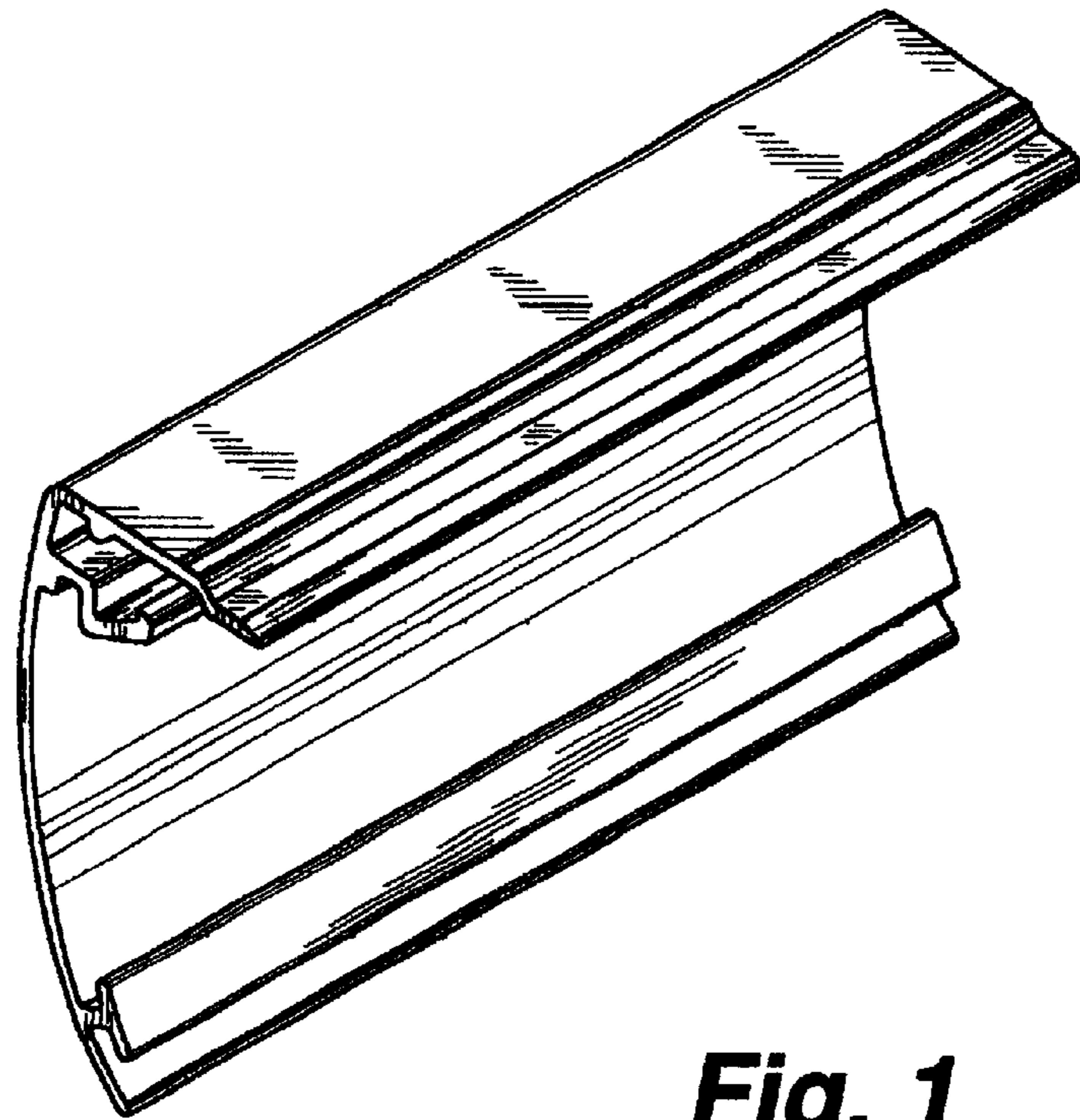
2.

FIG. 7 is a rear elevation; and,

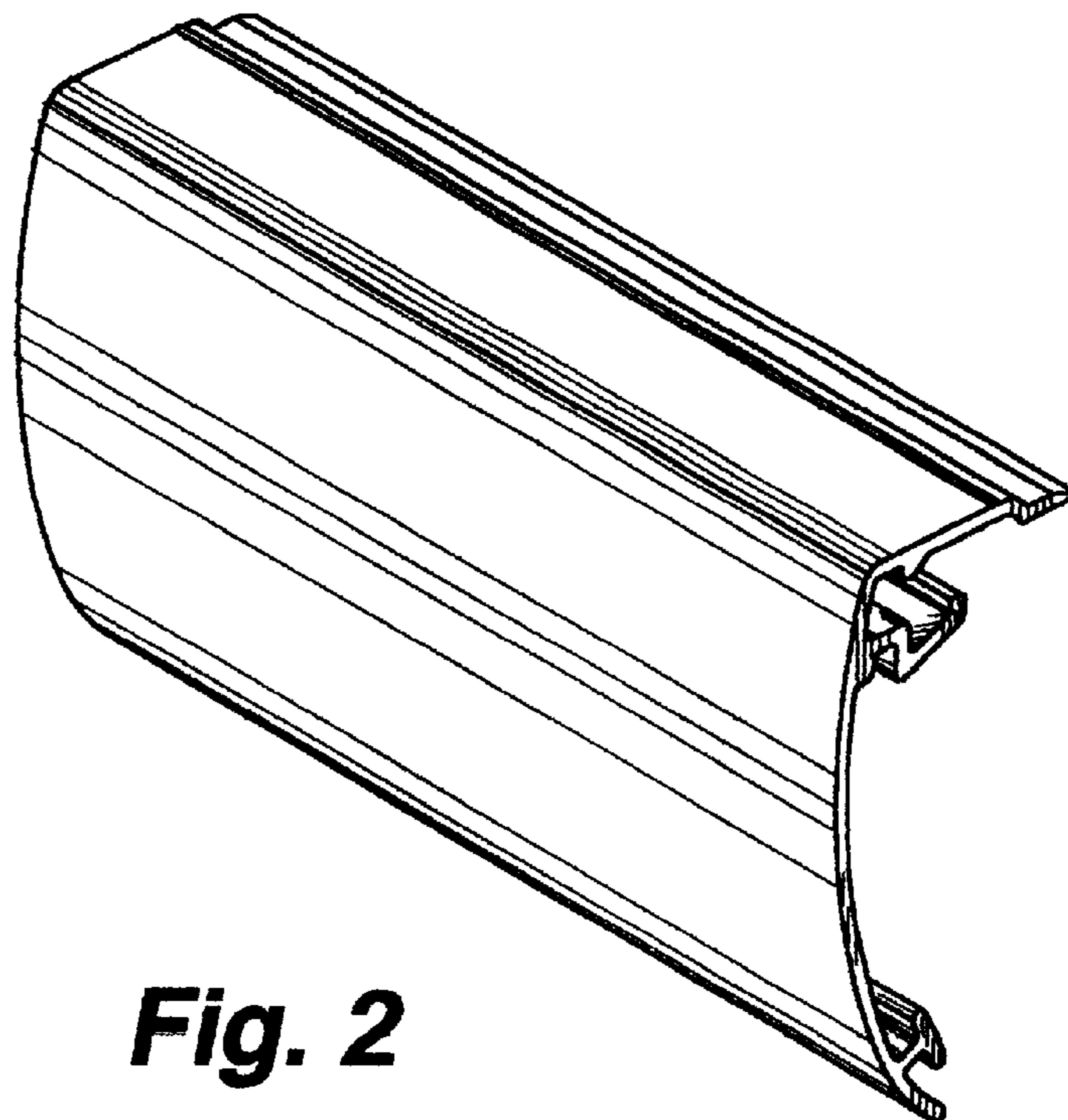
FIG. 8 is a bottom plan view.

**1 Claim, 3 Drawing Sheets**

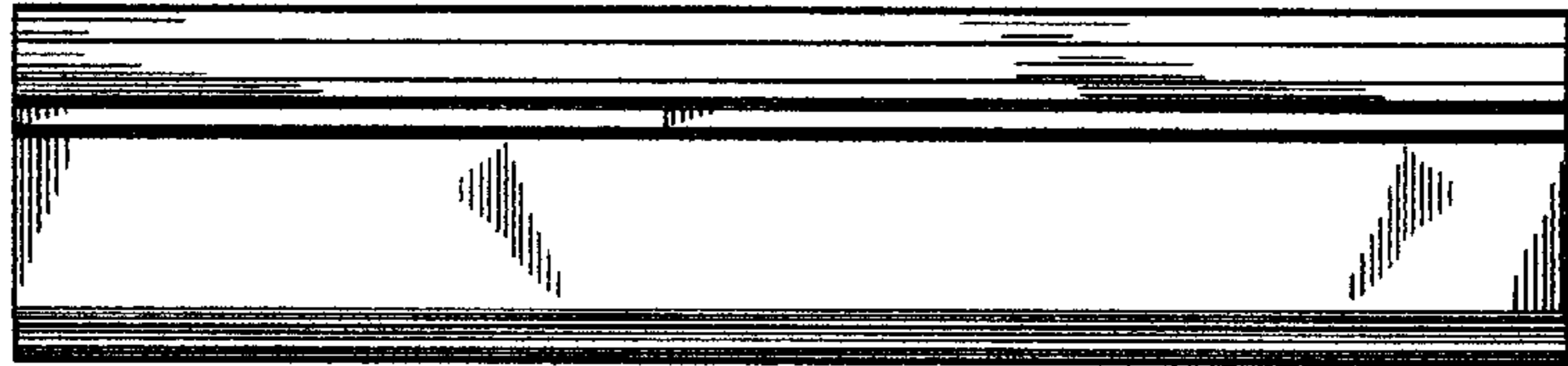




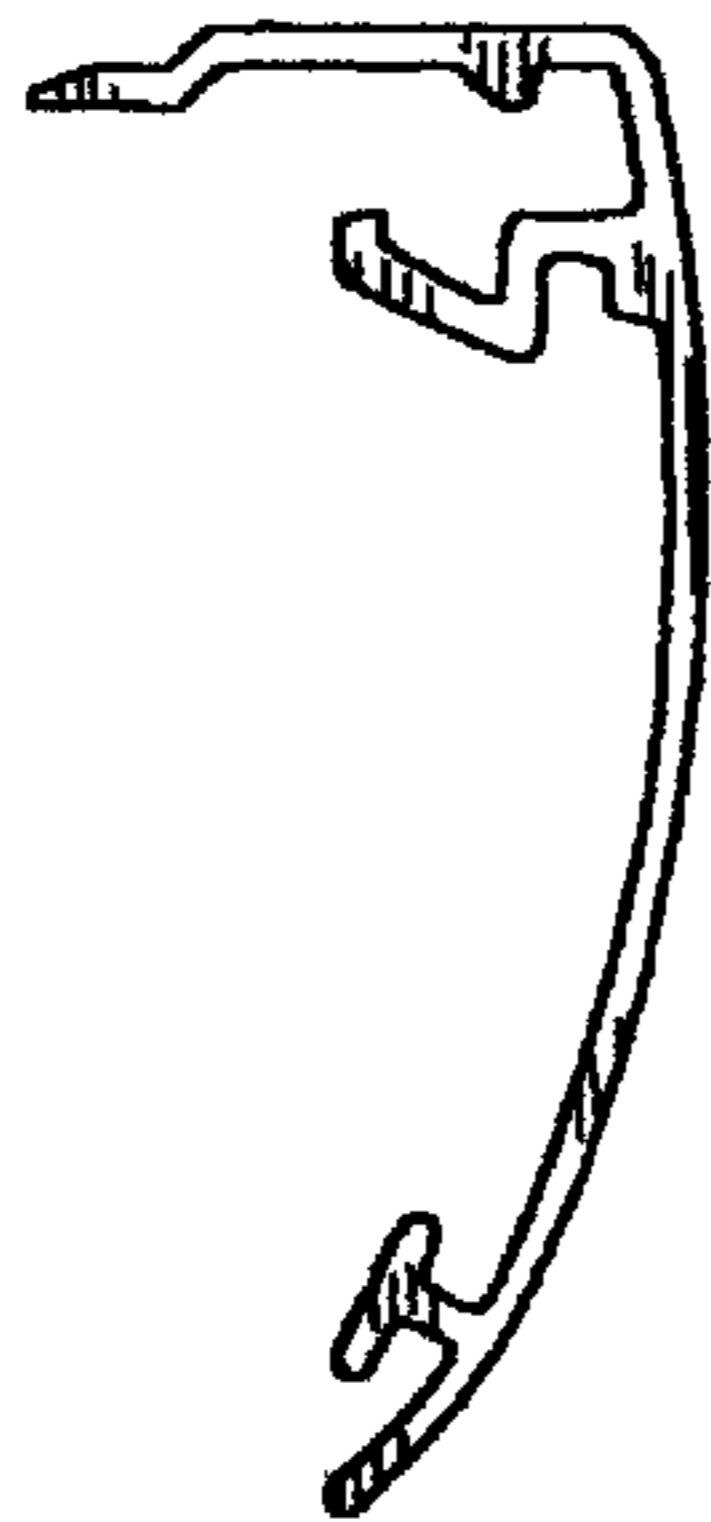
**Fig. 1**



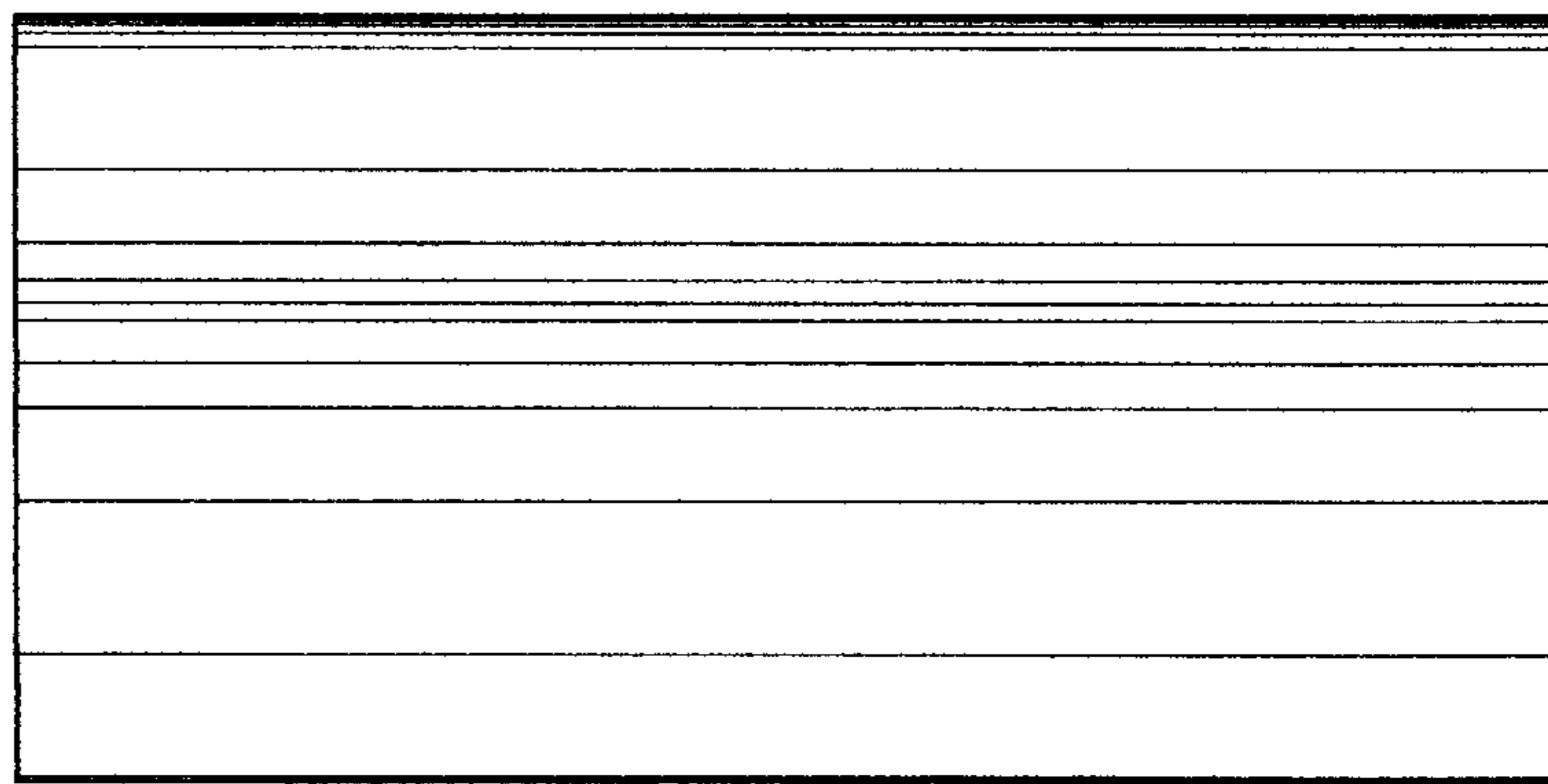
**Fig. 2**



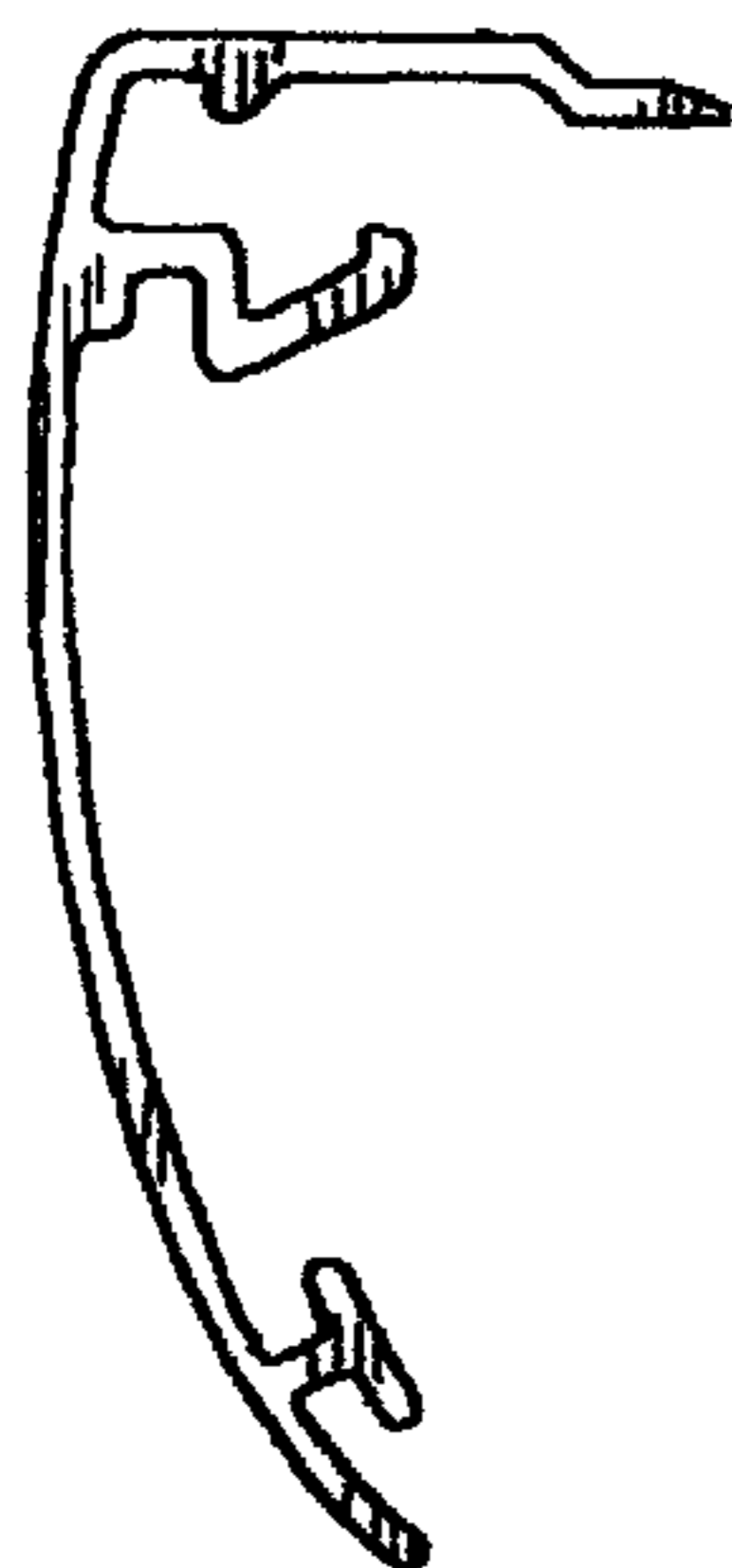
**Fig. 3**



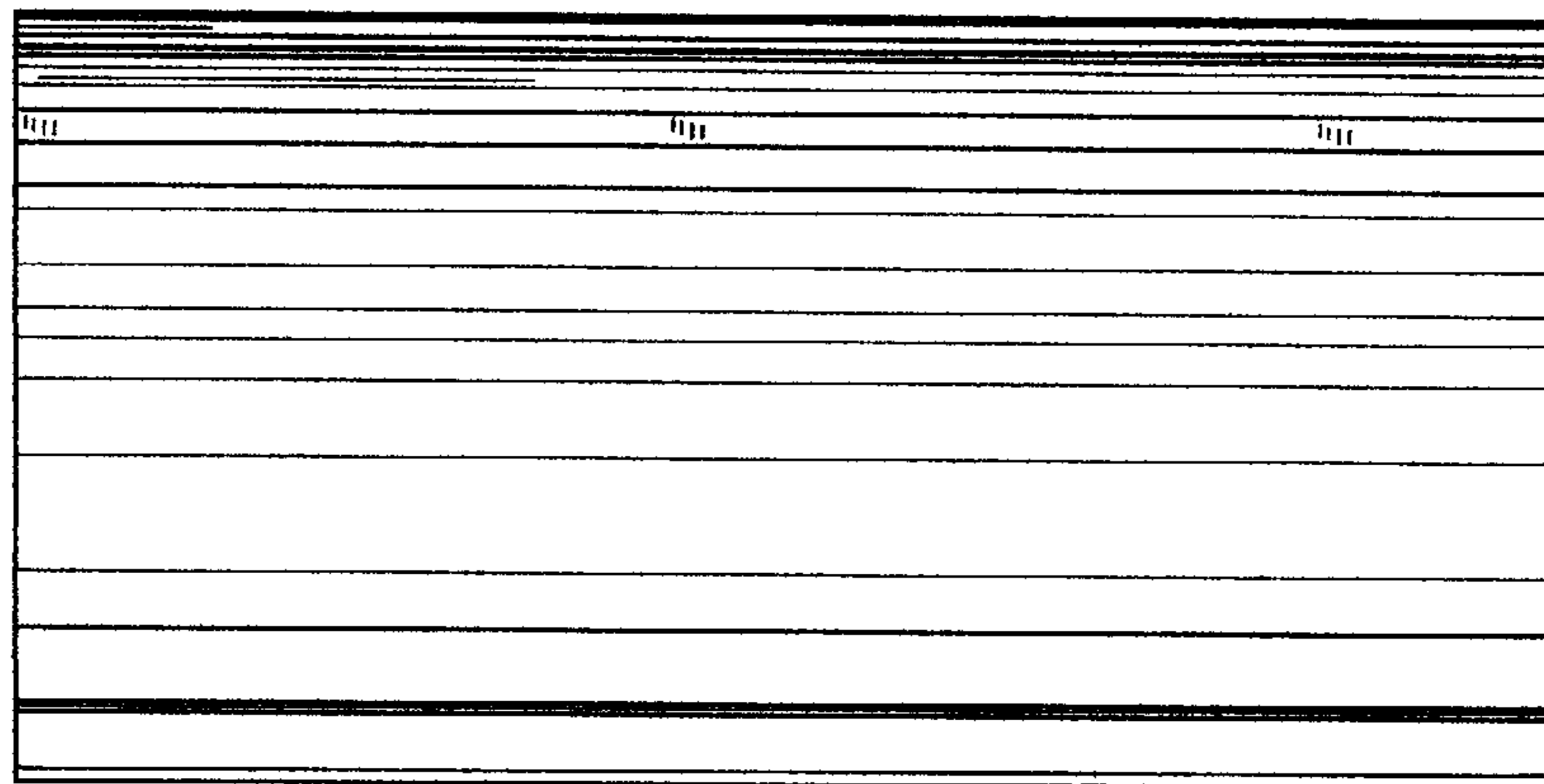
**Fig. 4**



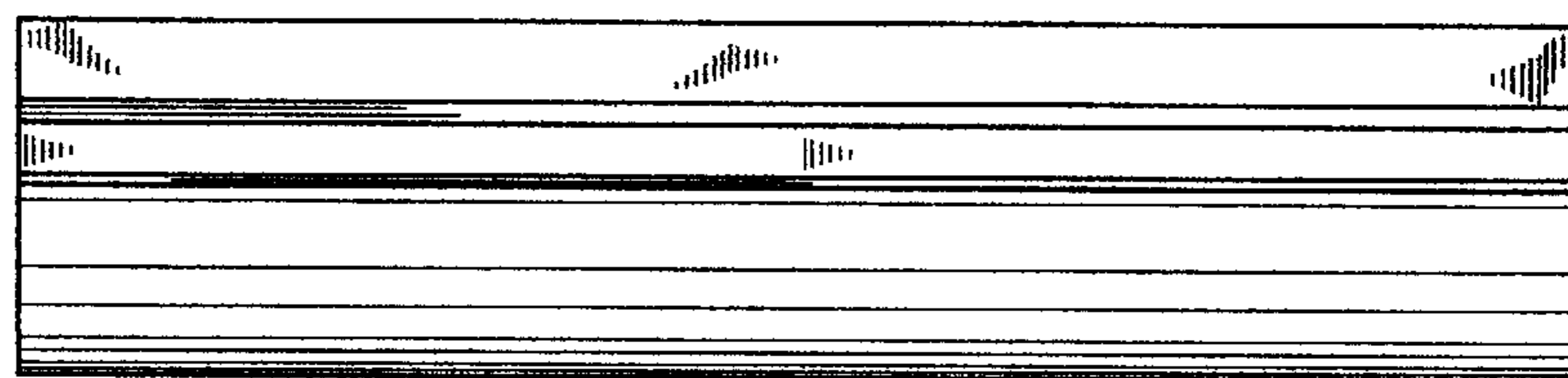
**Fig. 5**



**Fig. 6**



**Fig. 7**



**Fig. 8**