

US00D522296S

(12) **United States Design Patent**
Solowiej

(10) **Patent No.:** **US D522,296 S**

(45) **Date of Patent:** **** Jun. 6, 2006**

(54) **TOWEL RING**

(75) Inventor: **Leszek Solowiej**, Montville, NJ (US)

(73) Assignee: **Liberty Hardware Mfg. Corp.**,
Winston-Salem, NC (US)

(**) Term: **14 Years**

(21) Appl. No.: **29/234,193**

(22) Filed: **Jul. 14, 2005**

(51) **LOC (8) Cl.** **06-04**

(52) **U.S. Cl.** **D6/546**

(58) **Field of Classification Search** D6/546-550,
D6/518-523; D8/300, 303, 315, 321, 349,
D8/354, 363, 373, 380; 108/28-29; 248/175,
248/176.1, 251, 302, 309.1; 16/110.1, 412,
16/415; 242/570, 590, 595-598; 211/13.1,
211/16, 60.1, 100, 86.01, 87.01, 88.01, 88.04,
211/105.1, 105.2, 123, 182, 181.1

See application file for complete search history.

(56) **References Cited**

U.S. PATENT DOCUMENTS

2,632,605 A * 3/1953 Lee 242/597.3
D218,331 S * 8/1970 Uif D6/523

4,836,462 A * 6/1989 Bruss 242/598.2
D424,353 S * 5/2000 Duggan D6/550
D450,503 S * 11/2001 Gottwald D6/523
D455,587 S * 4/2002 Ou-Young D6/523
D465,365 S * 11/2002 Moore D6/523
6,554,222 B1 * 4/2003 Lindow, Sr. 242/598.5
D477,167 S * 7/2003 Hoernig D6/523
D477,481 S * 7/2003 Ouano D6/523
D477,731 S * 7/2003 Hoernig D6/523

* cited by examiner

Primary Examiner—Brian N Vinson

(74) *Attorney, Agent, or Firm*—Edgar A. Zarins; Lloyd D. Doigan

(57) **CLAIM**

The ornamental design for a towel ring, as shown and described.

DESCRIPTION

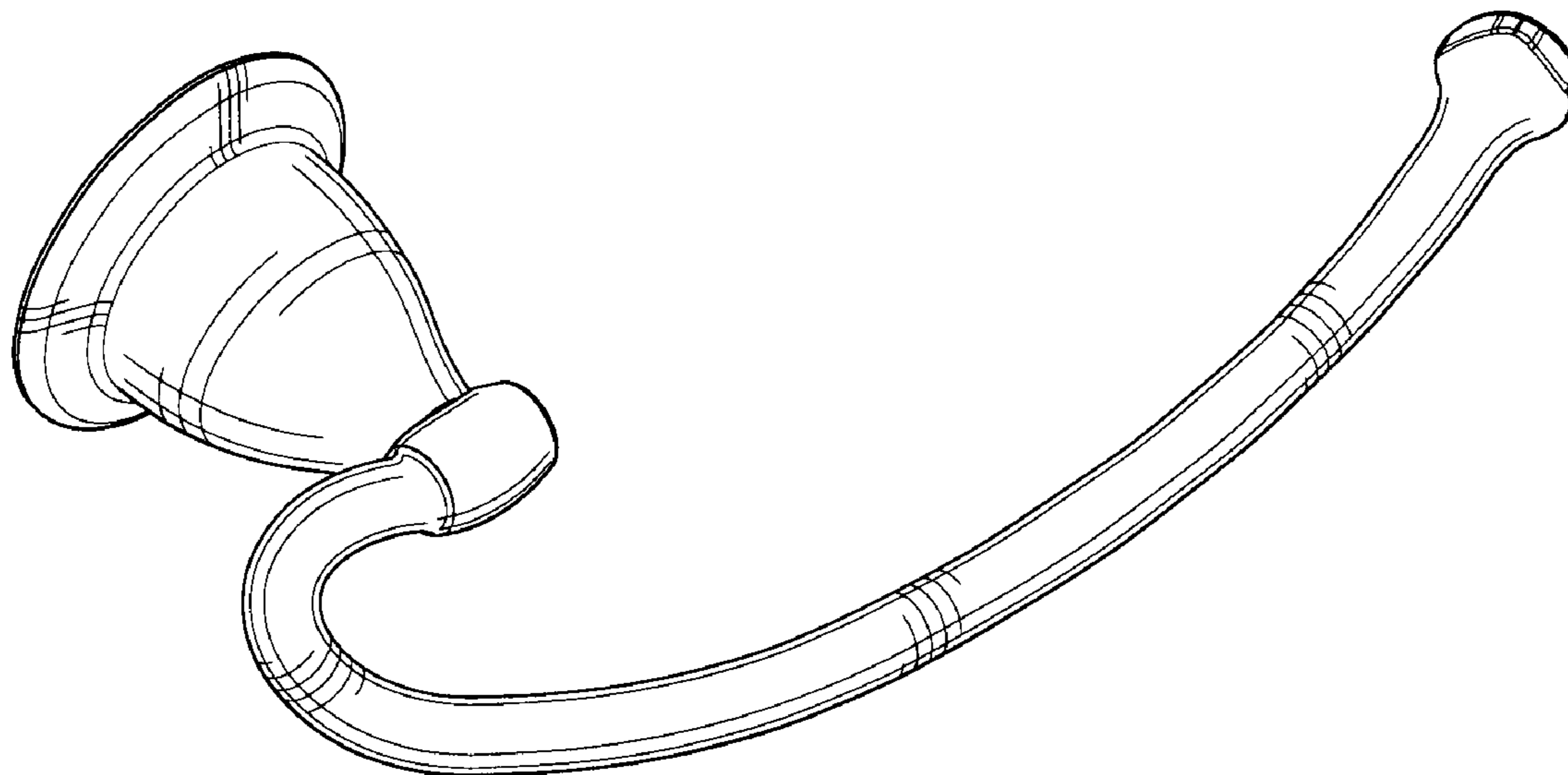
FIG. 1 is a perspective view of a towel ring showing my new design;

FIG. 2 is a top plan view thereof;

FIG. 3 is a left side view thereof, the opposite side being a mirror image of the side shown; and,

FIG. 4 is a front elevational view thereof.

1 Claim, 2 Drawing Sheets



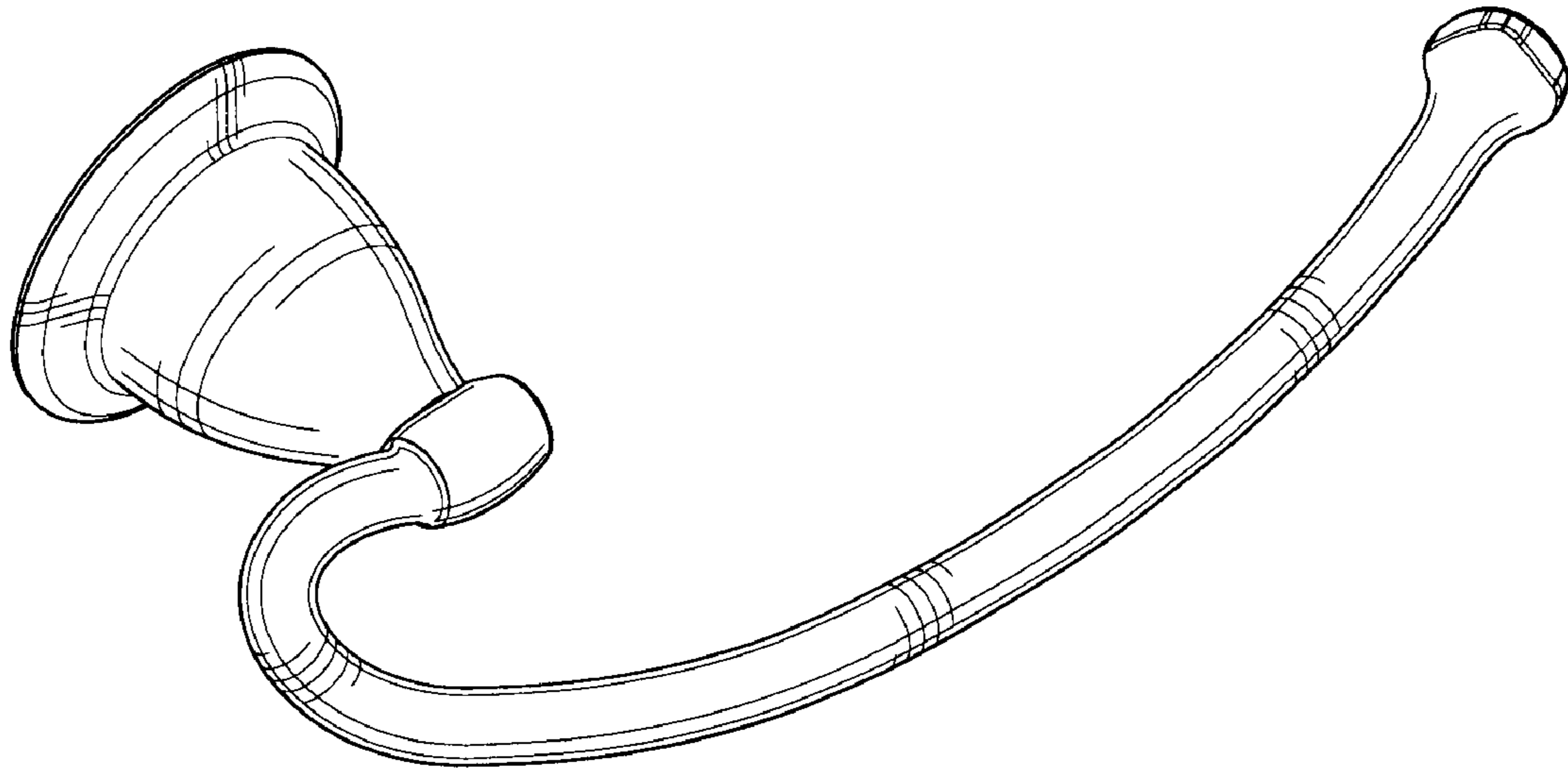


Fig-1

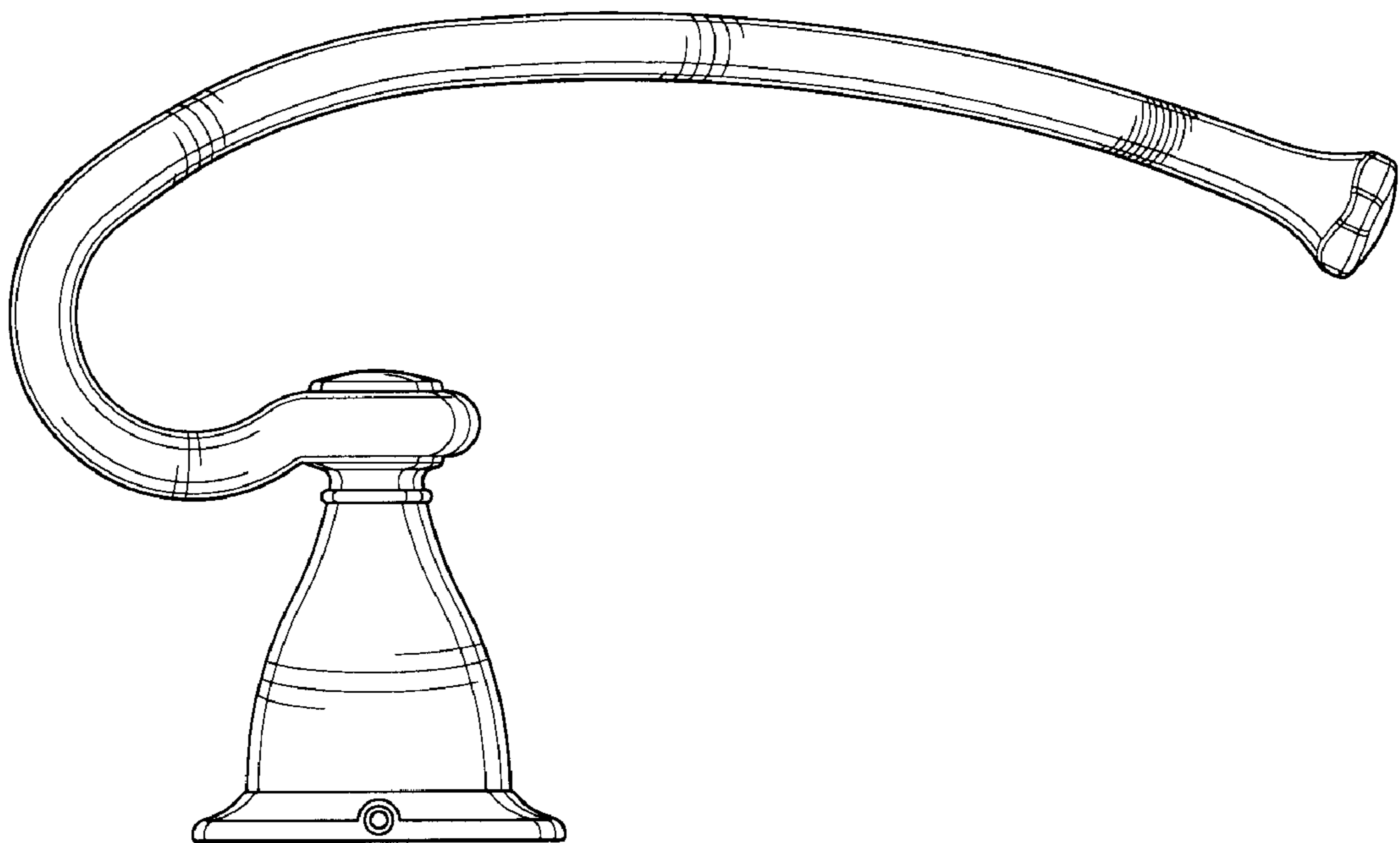


Fig-2

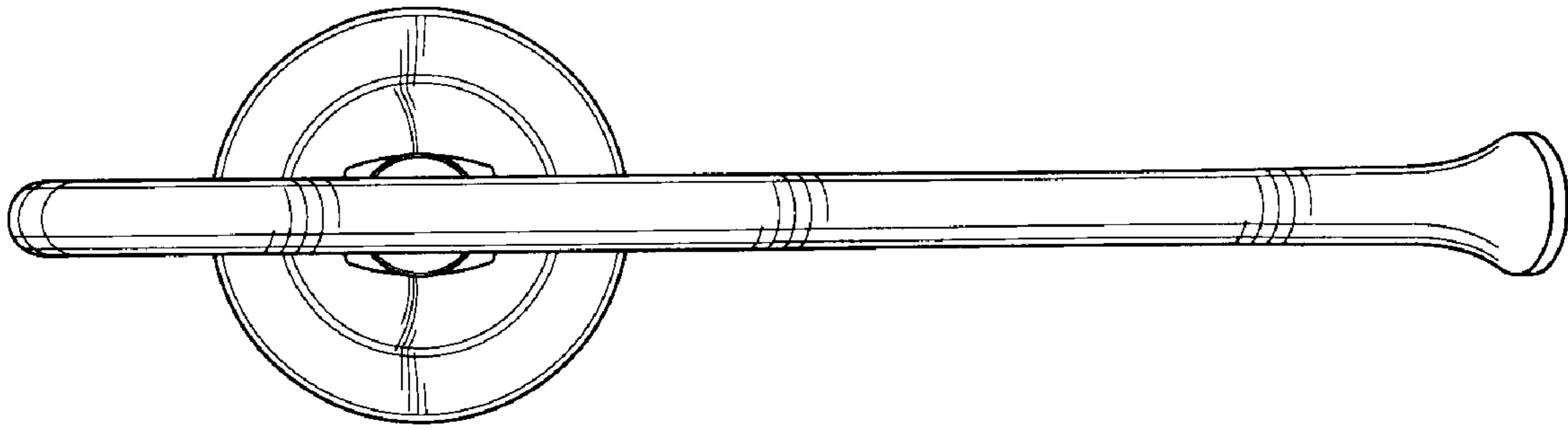


Fig-3

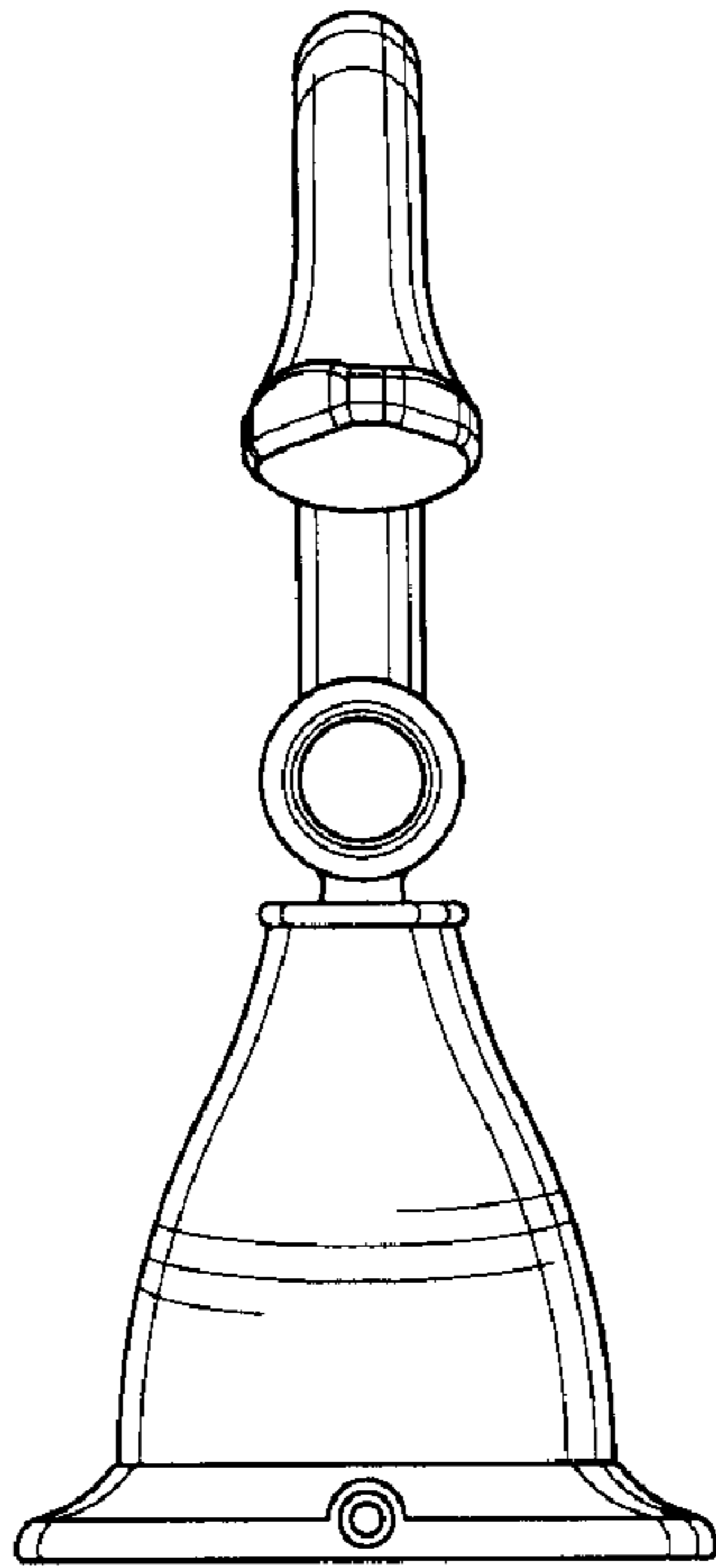


Fig-4