

US00D522292S

(12) **United States Design Patent**
Goodman et al.

(10) **Patent No.:** **US D522,292 S**
(45) **Date of Patent:** **** Jun. 6, 2006**

(54) **PAPER TOWEL HOLDER**
(75) Inventors: **Sheldon H. Goodman**, 30905 Stratford,
Solon, OH (US) 44139; **Kent W.**
Murphy, Wooster, OH (US)

D405,304 S 2/1999 Goodman et al.
D412,803 S 8/1999 Goodman et al.
D438,737 S 3/2001 Goodman et al.
D452,398 S * 12/2001 Hollinger D6/522
D499,915 S * 12/2004 Snell D6/521

(73) Assignee: **Sheldon H. Goodman**, Solon, OH (US)
(**) Term: **14 Years**

* cited by examiner
Primary Examiner—Brian N Vinson
(74) *Attorney, Agent, or Firm*—Pearne & Gordon LLP

(21) Appl. No.: **29/225,030**
(22) Filed: **Mar. 10, 2005**

(57) **CLAIM**
The ornamental design for a paper towel holder, as shown
and described.

(51) **LOC (8) Cl.** **20-20**
(52) **U.S. Cl.** **D6/521**
(58) **Field of Classification Search** D6/518-523;
206/389, 391; 211/13.1, 59.1, 45, 89.01;
242/570, 590, 597, 597.7, 130.2; 248/309.1,
248/309.2

DESCRIPTION

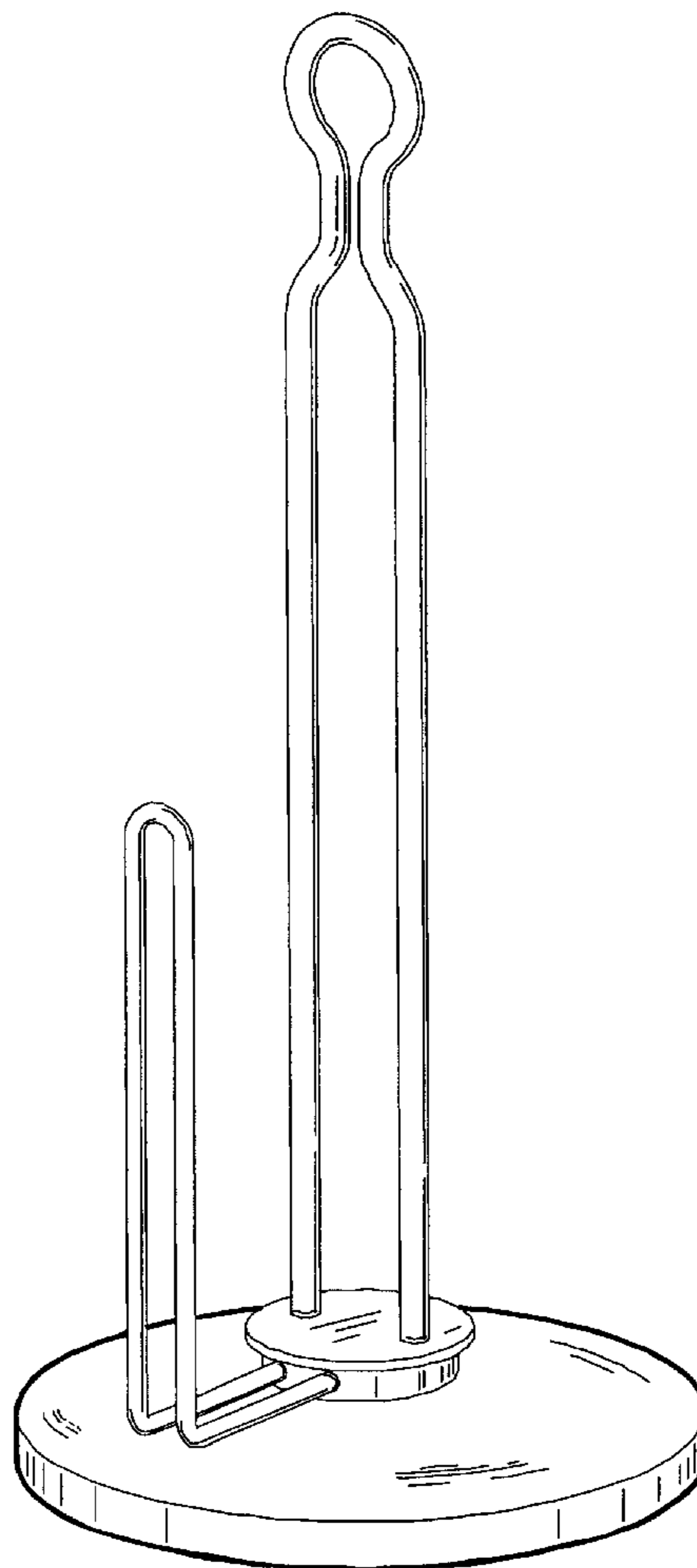
FIG. 1 is a front elevational view of a paper towel holder
showing our new design;
FIG. 2 is a left side elevational view thereof, the right side
elevational view being a mirror image thereof;
FIG. 3 is a top plan view thereof;
FIG. 4 is a bottom plan view thereof; and,
FIG. 5 is a perspective view thereof.

See application file for complete search history.

(56) **References Cited**
U.S. PATENT DOCUMENTS

D390,054 S * 2/1998 Goodman D6/521

1 Claim, 3 Drawing Sheets



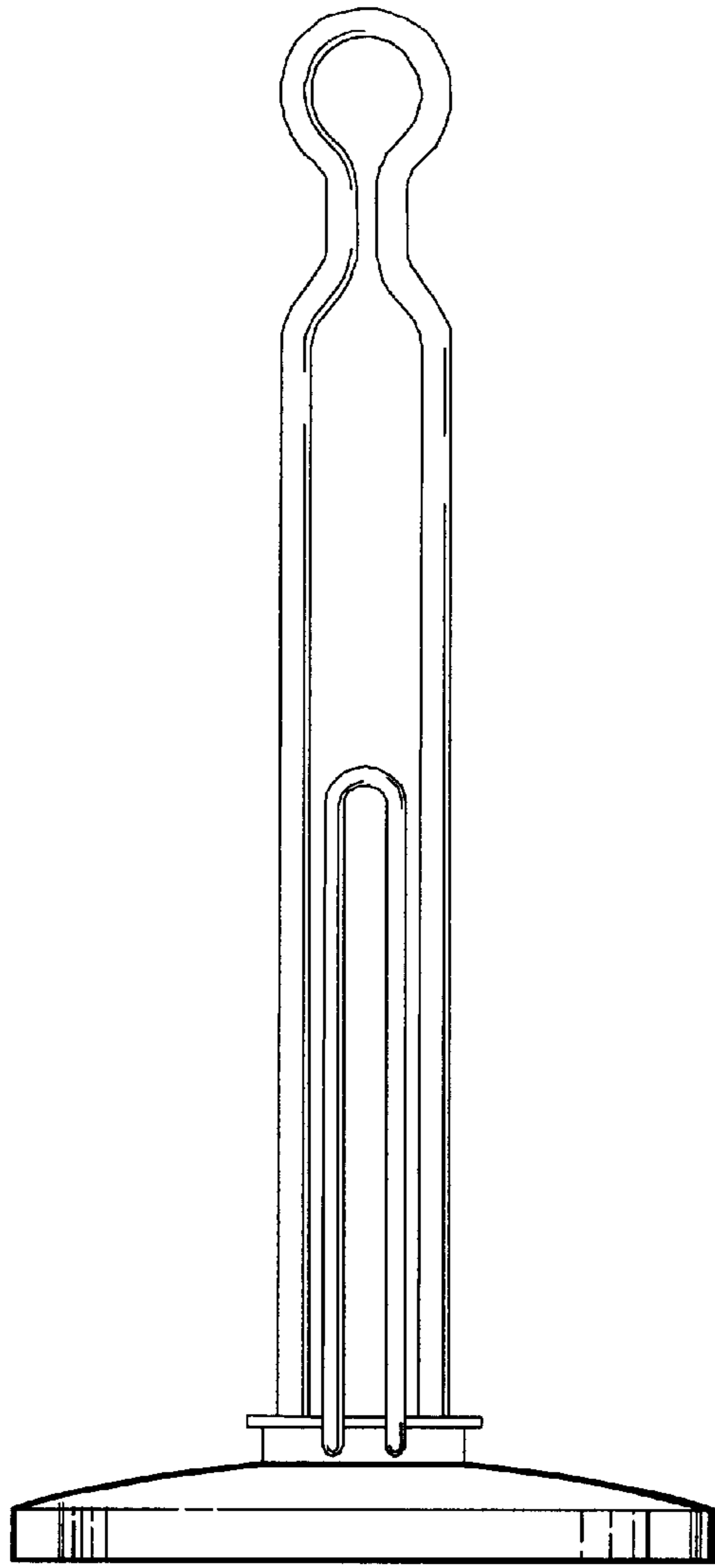


Fig. 1

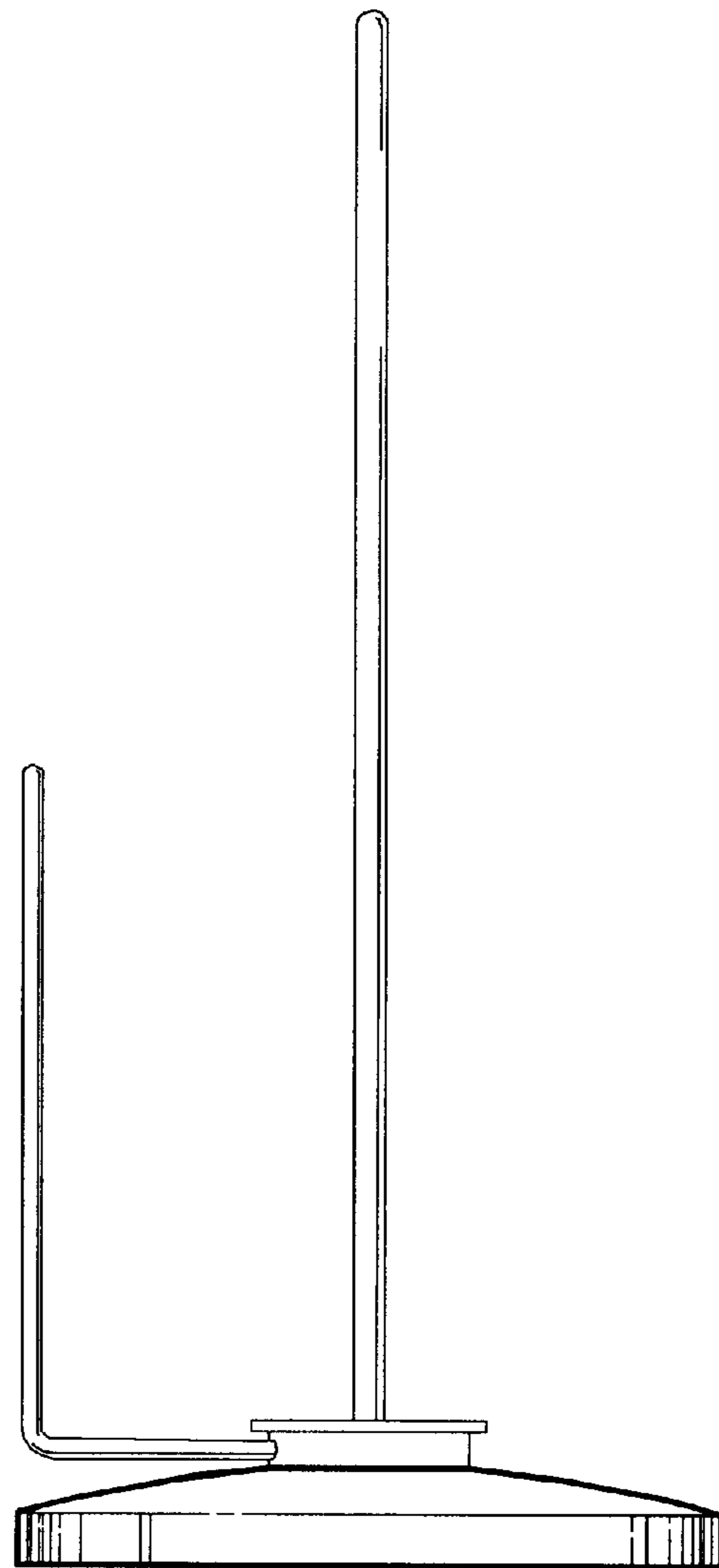


Fig. 2

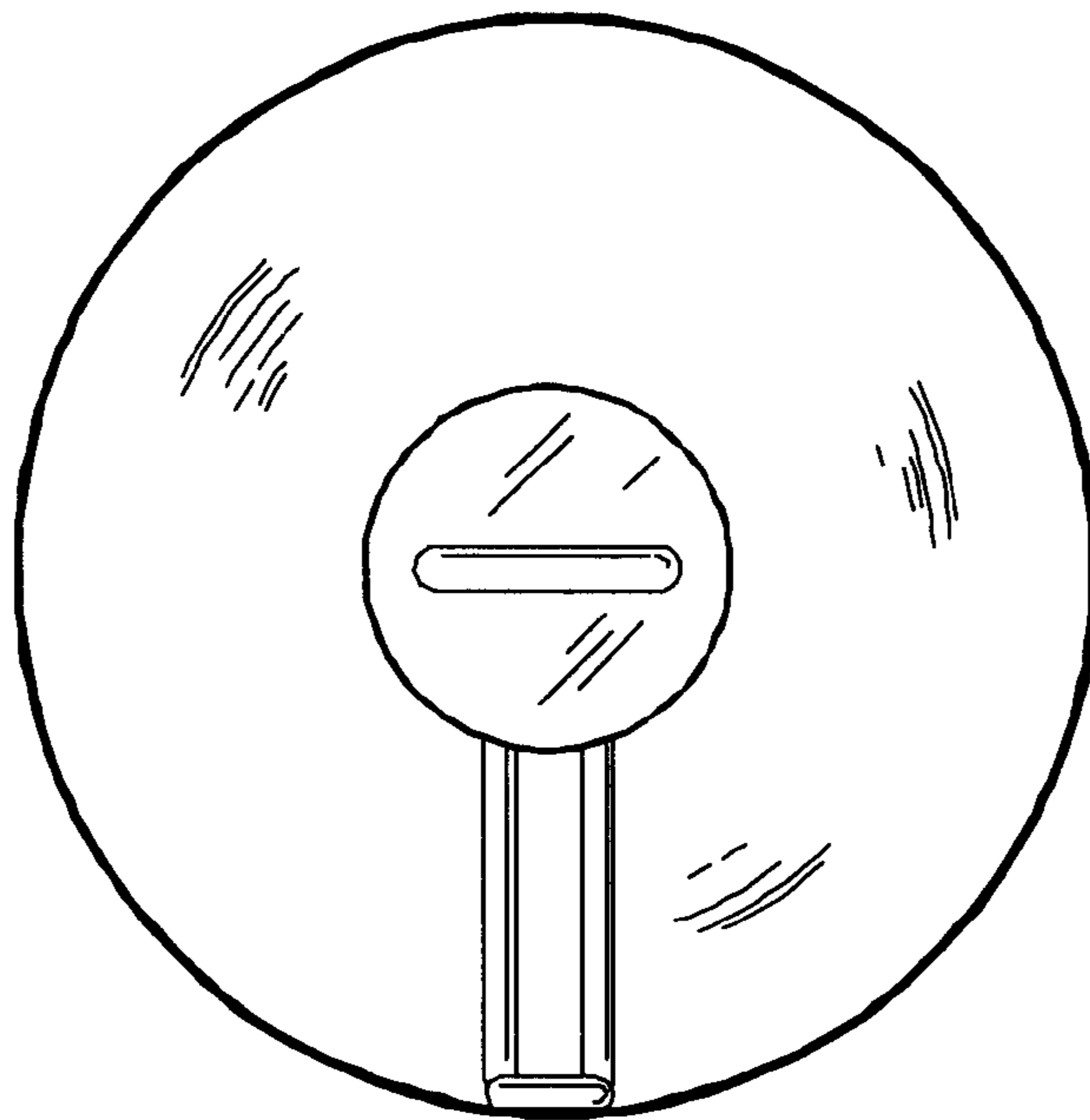


Fig. 3

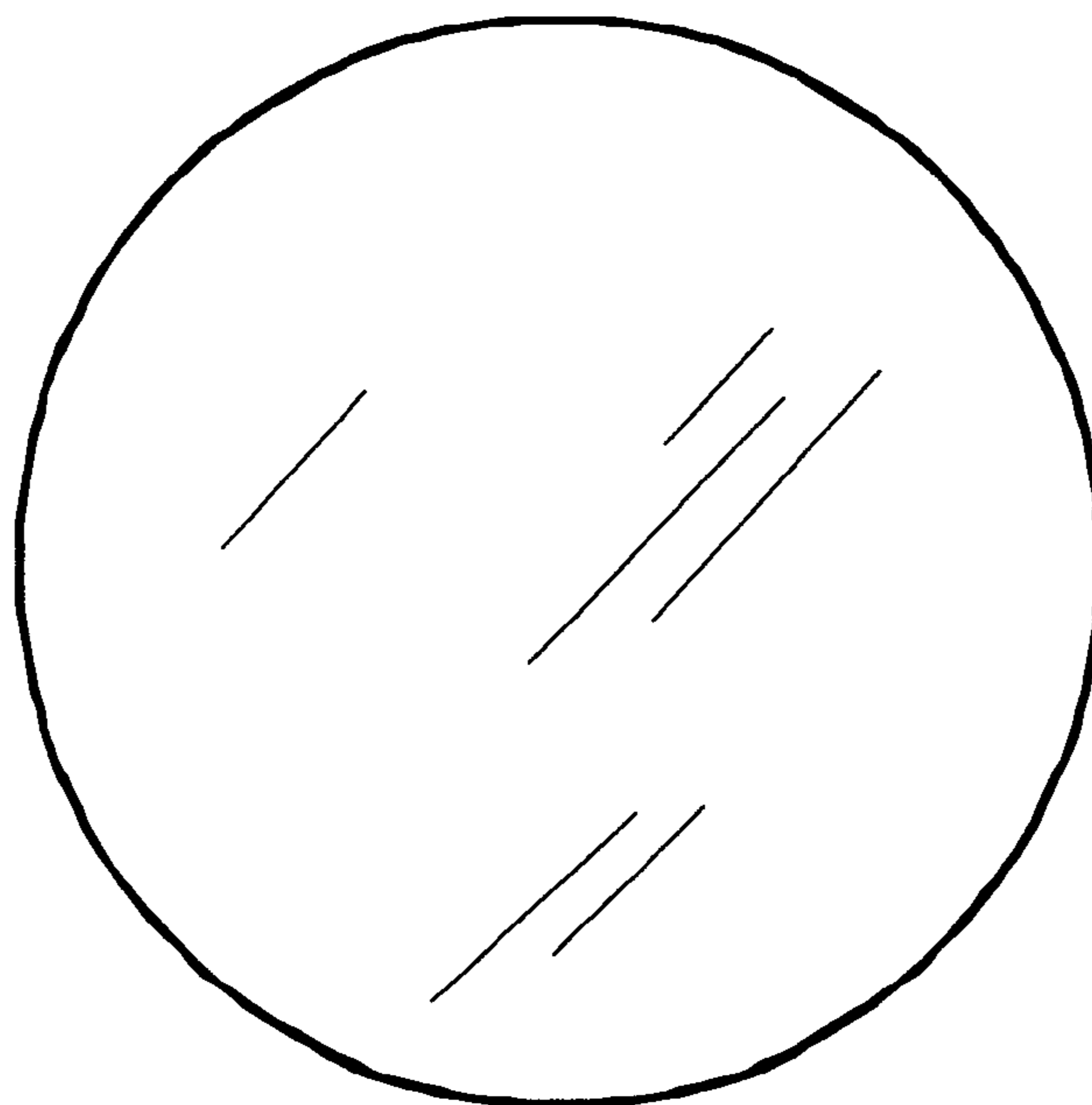


Fig. 4

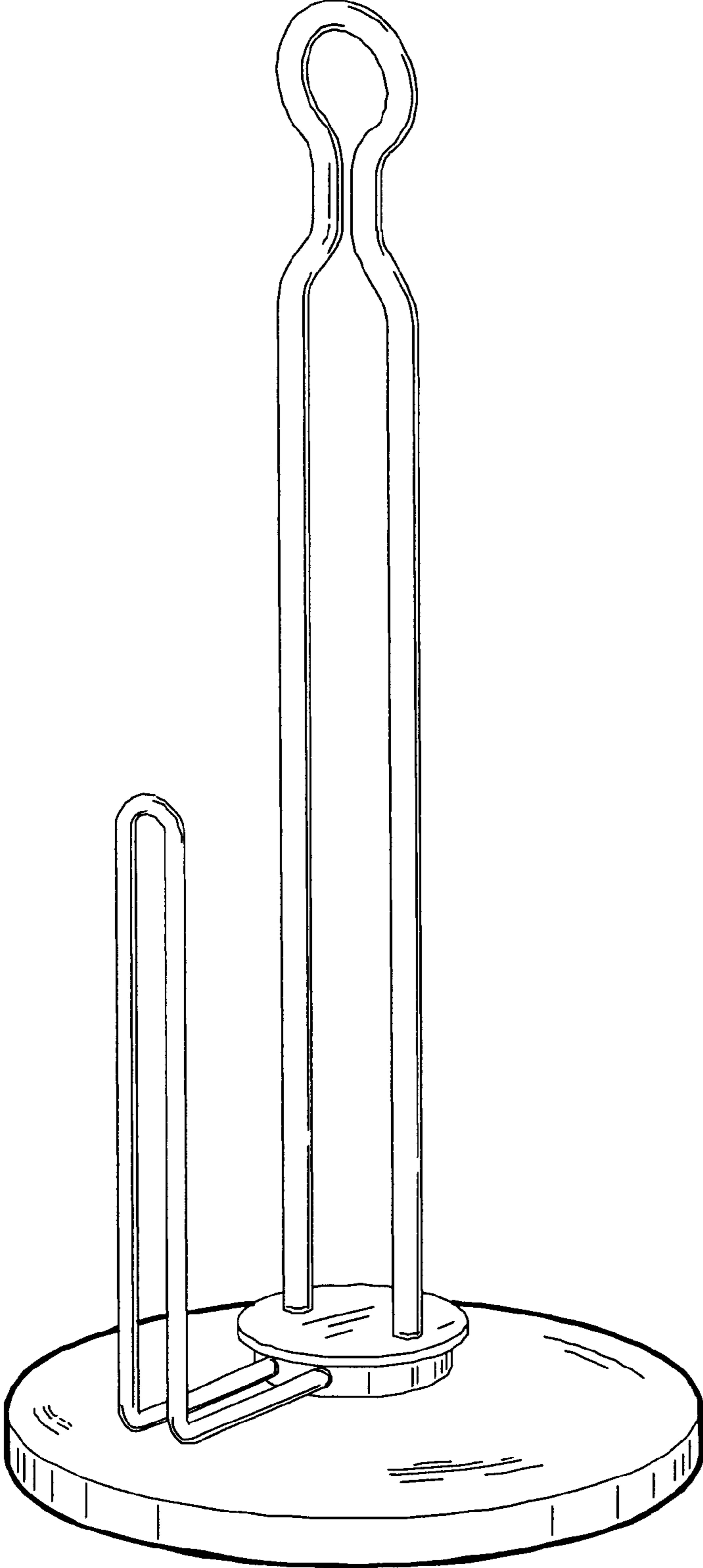


Fig. 5