



US00D522290S

(12) **United States Design Patent**
Ferderer

(10) **Patent No.:** **US D522,290 S**

(45) **Date of Patent:** **** Jun. 6, 2006**

(54) **URINAL FRIENDLY TISSUE DISPENSER**

D337,228 S * 7/1993 Giugiaro D6/518

5,566,400 A * 10/1996 Jones

5,722,136 A * 3/1998 Jones

D469,288 S * 1/2003 Wray et al. D6/518

(76) Inventor: **David M. Ferderer**, 910 Shady
Charmer, Henderson, NV (US) 89052

(**) Term: **14 Years**

* cited by examiner

(21) Appl. No.: **29/224,984**

Primary Examiner—Brian N Vinson

(74) *Attorney, Agent, or Firm*—Donald R. Schoonover

(22) Filed: **Mar. 10, 2005**

(57) **CLAIM**

(51) **LOC (8) Cl.** **20-02**

I claim the ornamental design for an urinal friendly tissue dispenser, as shown and described.

(52) **U.S. Cl.** **D6/518**

(58) **Field of Classification Search** D6/515–523;
206/225, 233, 389, 391, 812, 824; 211/13.1,
211/45; 222/173, 180; 221/26, 33, 282–283;
224/925; 242/570, 590; 248/309.1, 309.2,
248/905; D12/17, 19

DESCRIPTION

See application file for complete search history.

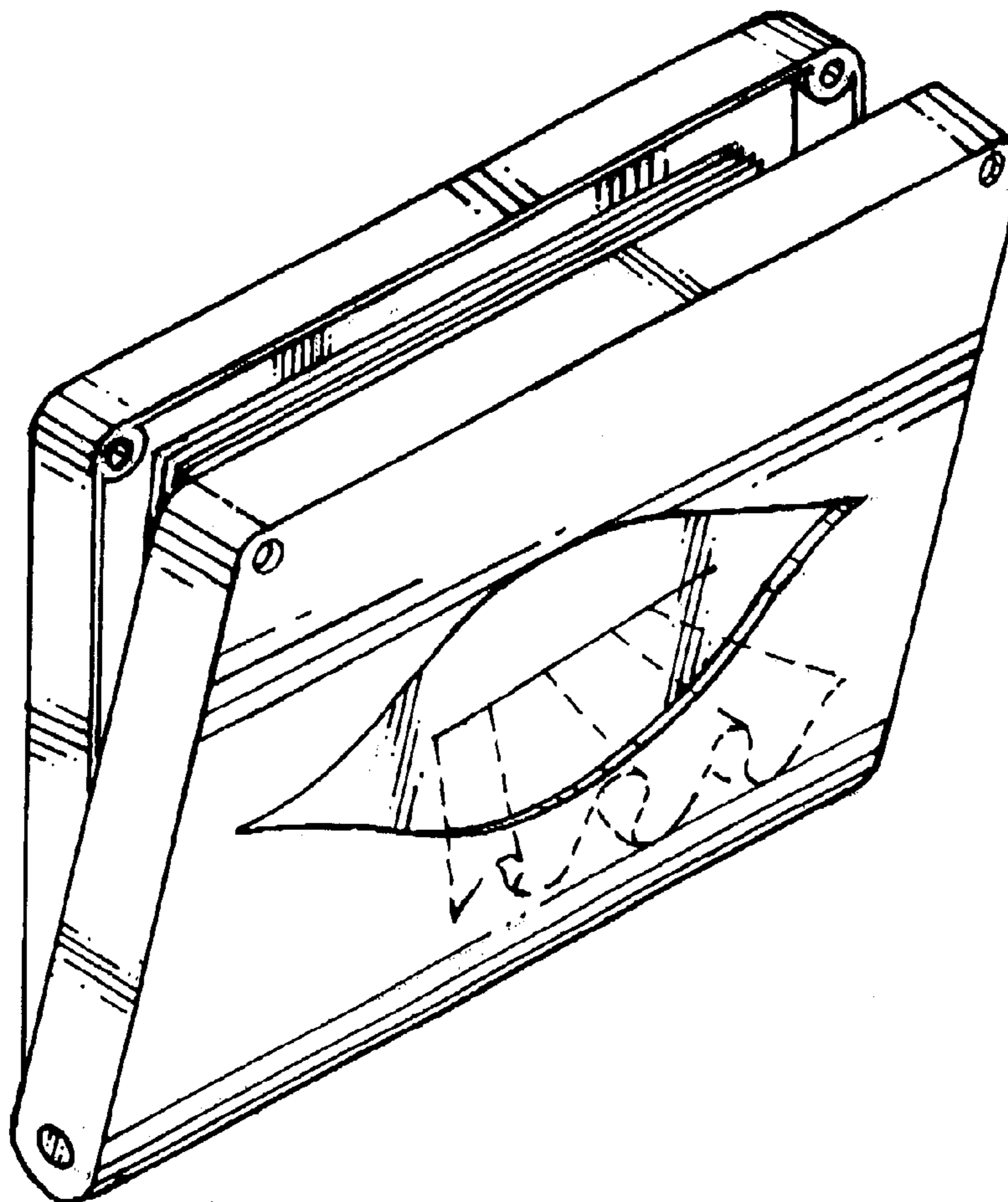
FIG. 1 is a perspective view of a partially opened urinal friendly tissue dispenser showing my new design; the broken lines depict a tissue thereof in a dispensing condition; FIG. 2 is a front elevational view thereof; FIG. 3 is a rear elevational view thereof; FIG. 4 is a side elevational view thereof, the elevational view of the opposing side being identical thereto; FIG. 5 is a top plan view thereof; and, FIG. 6 is a bottom plan view thereof.

(56) **References Cited**

U.S. PATENT DOCUMENTS

- 4,177,958 A * 12/1979 Poole
- 4,557,426 A * 12/1985 Siciliano
- 4,963,406 A * 10/1990 Gooding, Jr. et al.
- D327,798 S * 7/1992 Addison et al.

1 Claim, 3 Drawing Sheets



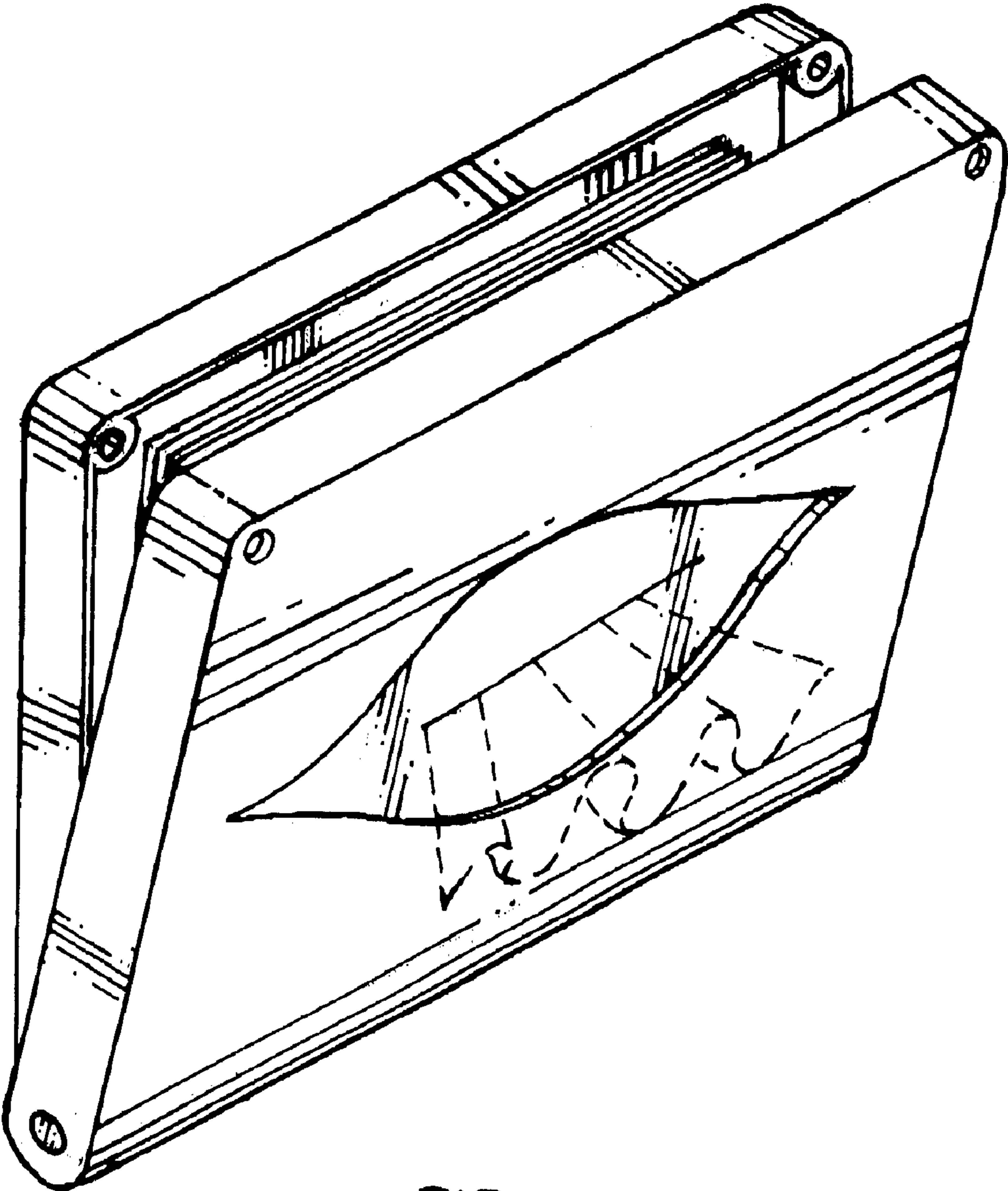


FIG.1



FIG. 4

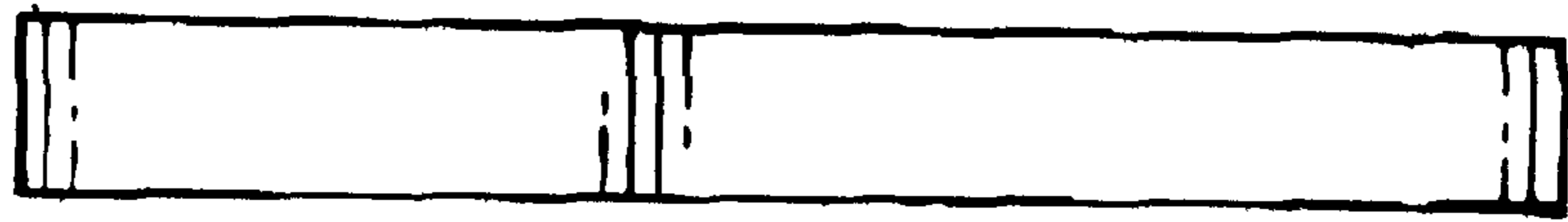


FIG. 5

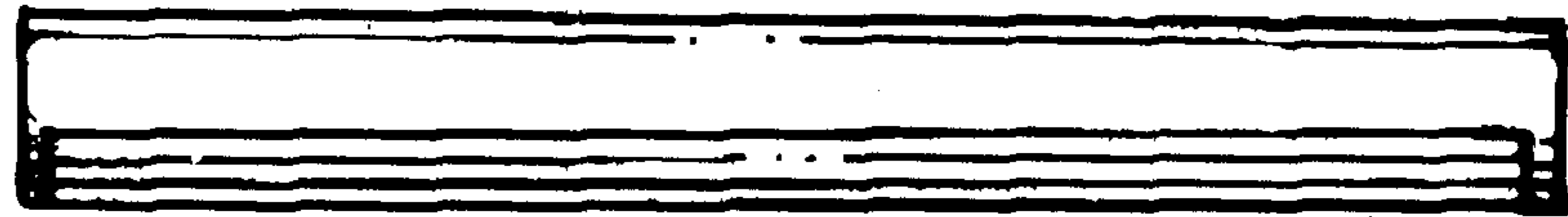


FIG. 6

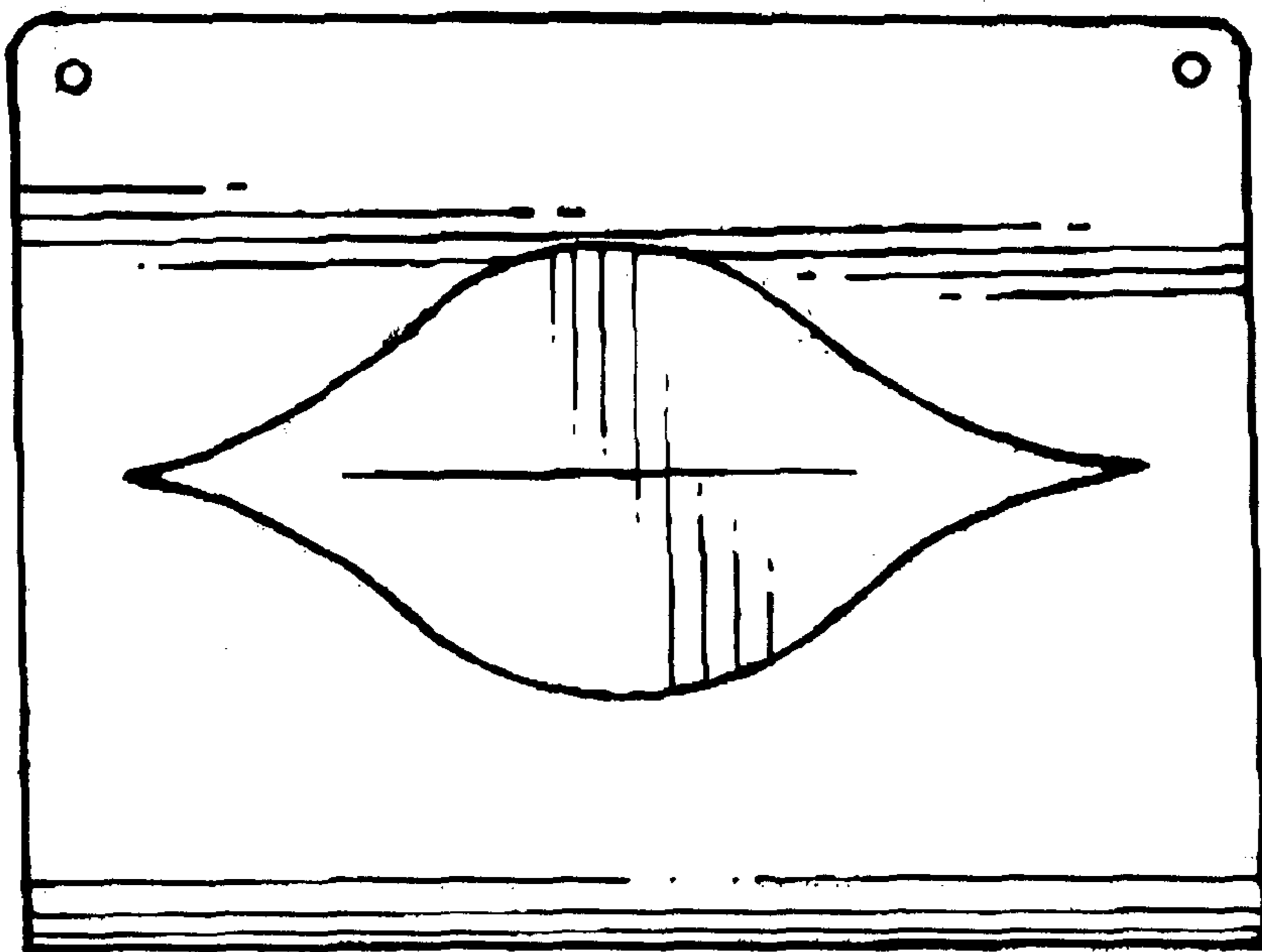


FIG. 2

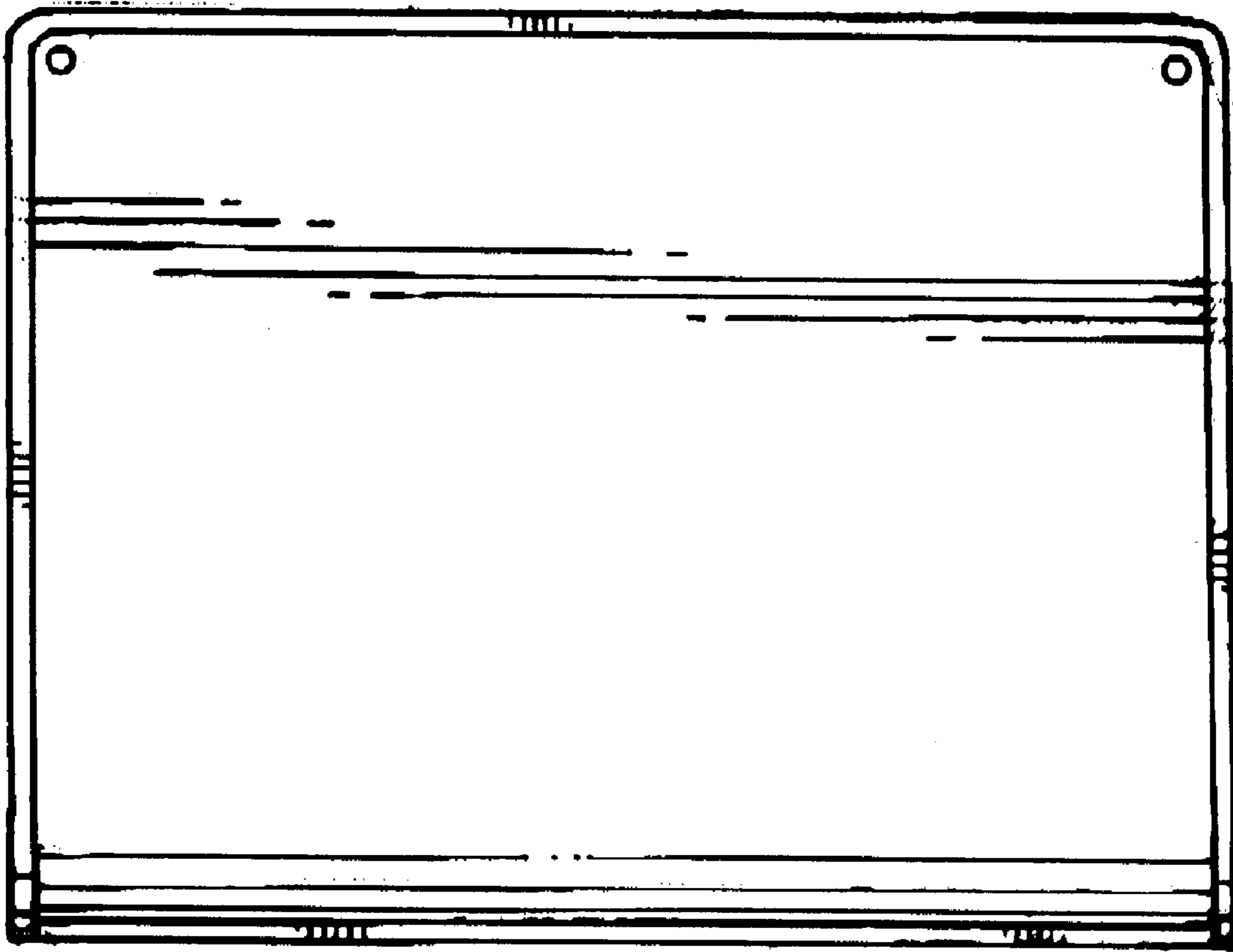


FIG.3