



US00D522285S

(12) **United States Design Patent**
Moore, Jr.

(10) **Patent No.:** **US D522,285 S**
(45) **Date of Patent:** **** Jun. 6, 2006**

(54) **POT RACK**

(76) **Inventor:** **Zackariah Moore, Jr.**, 195 E. 55 St.,
Brooklyn, NY (US) 11203

(**) **Term:** **14 Years**

(21) **Appl. No.:** **29/209,271**

(22) **Filed:** **Jul. 12, 2004**

(51) **LOC (8) Cl.** **08-05**

(52) **U.S. Cl.** **D6/513; D8/372**

(58) **Field of Classification Search** **D8/372,**
D8/367, 376; D6/513, 328; 211/105.1, 85.31,
211/113; 4/558

See application file for complete search history.

(56) **References Cited**

U.S. PATENT DOCUMENTS

D280,046 S	*	8/1985	Benedict	D6/328
4,714,166 A	*	12/1987	Hann et al.	211/94.01
D296,861 S	*	7/1988	Fielding et al.	D7/402
5,662,297 A	*	9/1997	Christensen et al.	211/105.1

* cited by examiner

Primary Examiner—Holly H. Baynham

(74) *Attorney, Agent, or Firm*—Peter L. Kendall

(57) **CLAIM**

The ornamental design for a pot rack, as shown and described.

DESCRIPTION

FIG. 1 is a top plan view of a pot rack in accordance with a first embodiment of the present invention;

FIG. 2 is a top, side perspective view of a pot rack in accordance with a second embodiment of the present invention;

FIG. 3 is a top plan view of the pot rack illustrated in FIG. 2;

FIG. 4 is a top, side perspective view of a pot rack in accordance with a third embodiment of the present invention;

FIG. 5 is a top plan view of a pot rack in accordance with a fourth embodiment of the present invention;

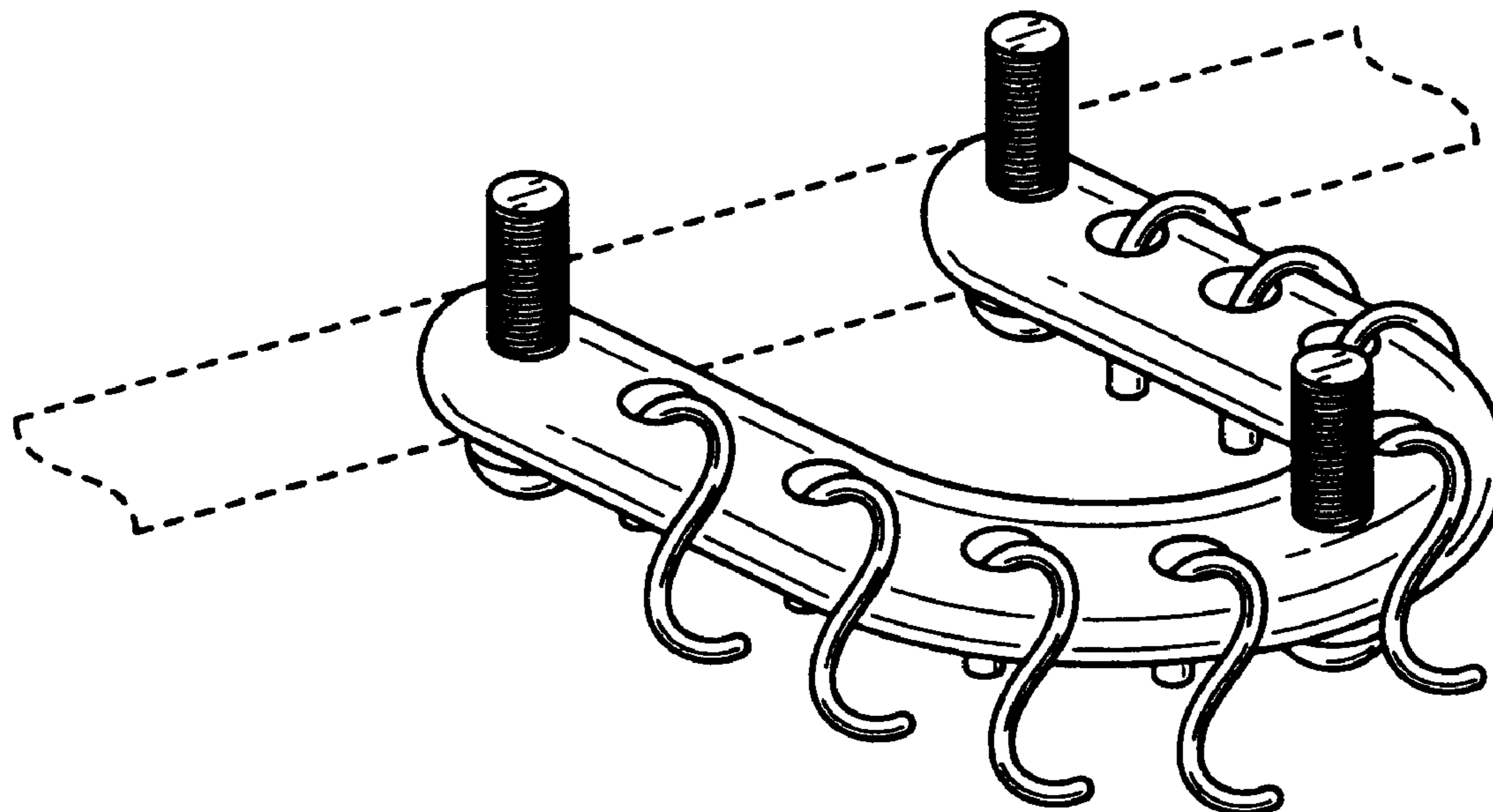
FIG. 6 is a top, side perspective view of the pot rack illustrated in FIG. 5;

FIG. 7 is a top plan view of a pot rack in accordance with a fifth embodiment of the present invention; and,

FIG. 8 is a top, side perspective view of the pot rack illustrated in FIG. 7.

The broken line showing of structure is for illustrative purposes only and forms no part of the claimed design.

1 Claim, 4 Drawing Sheets



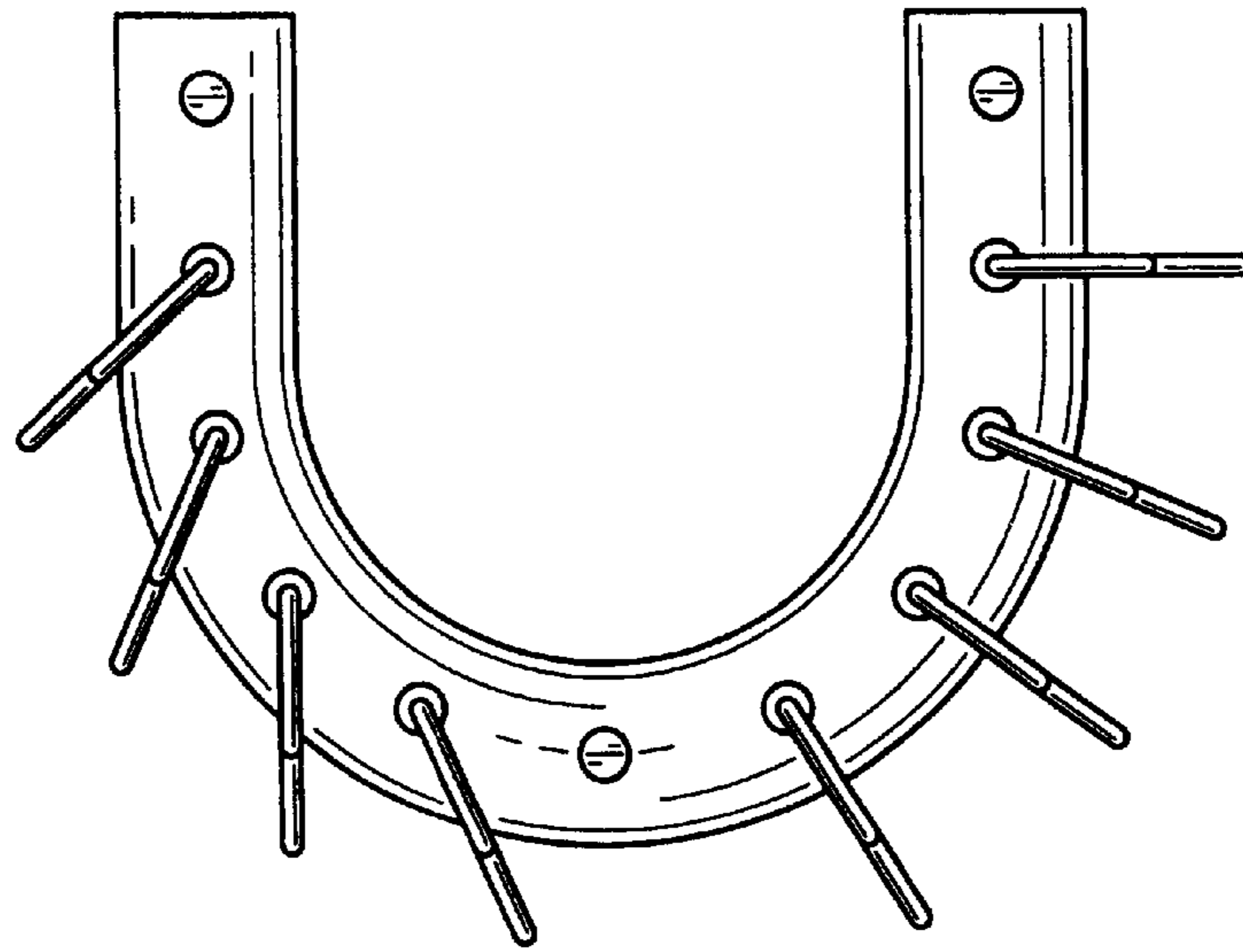


FIG. 1

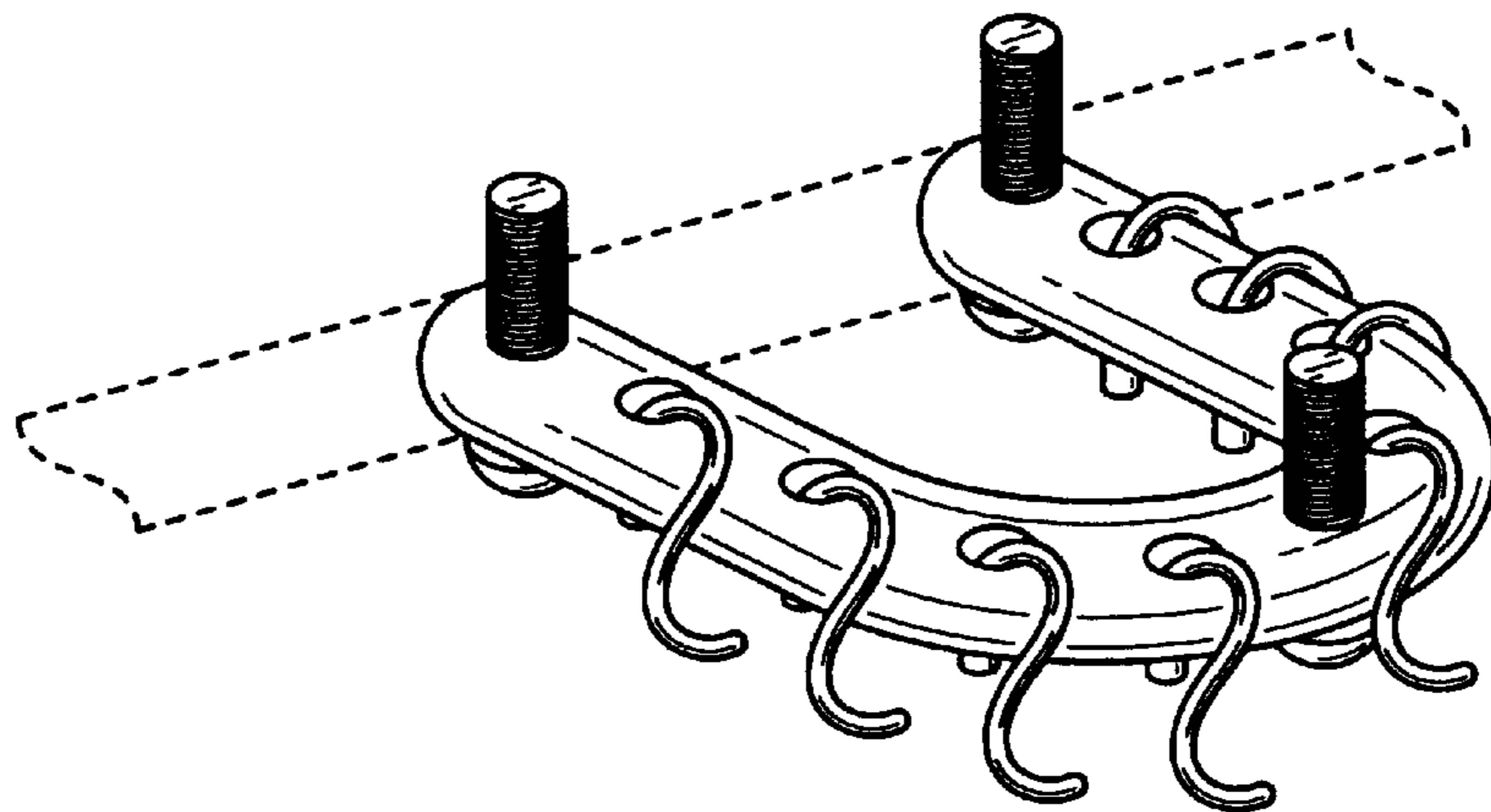


FIG. 2

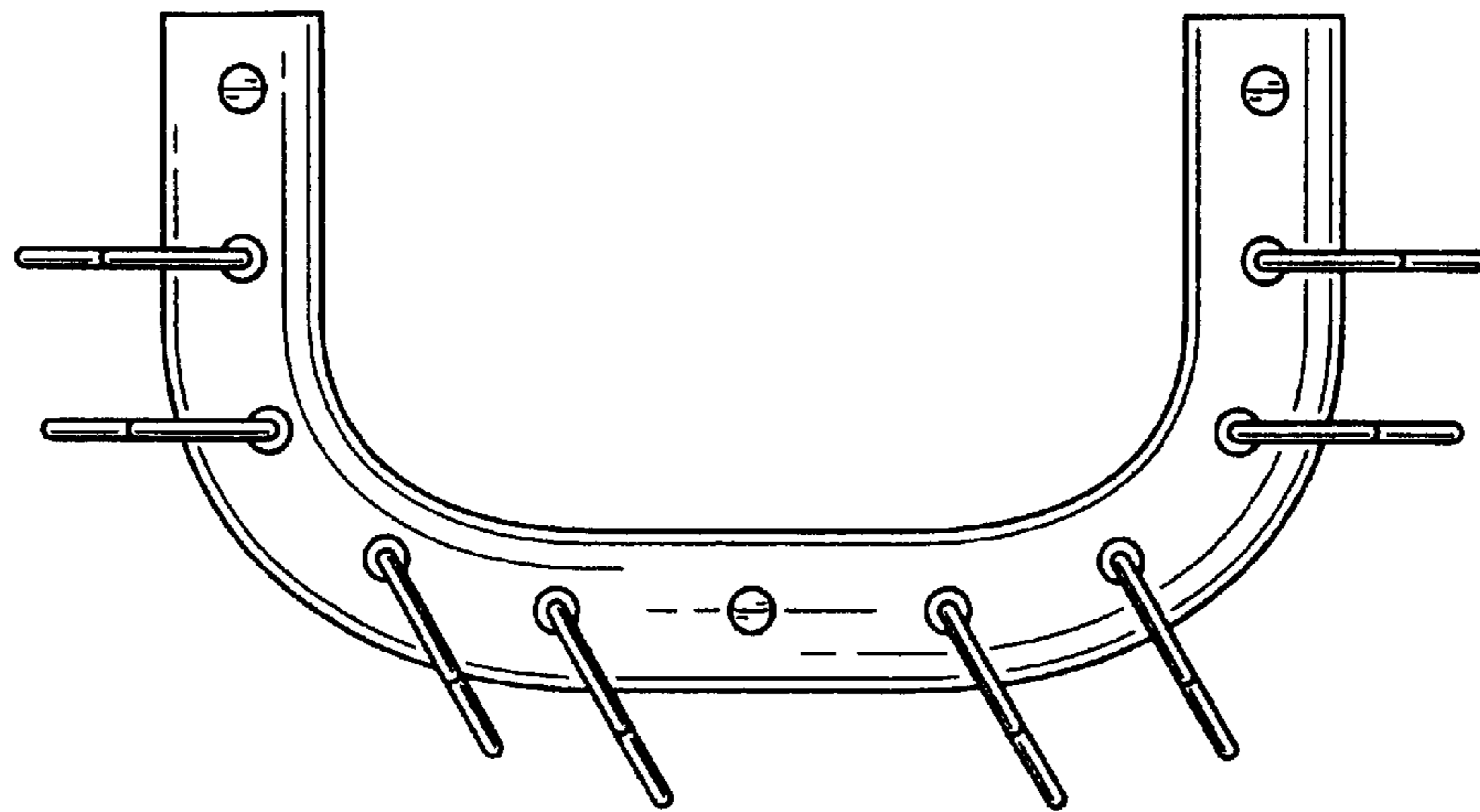


FIG. 3

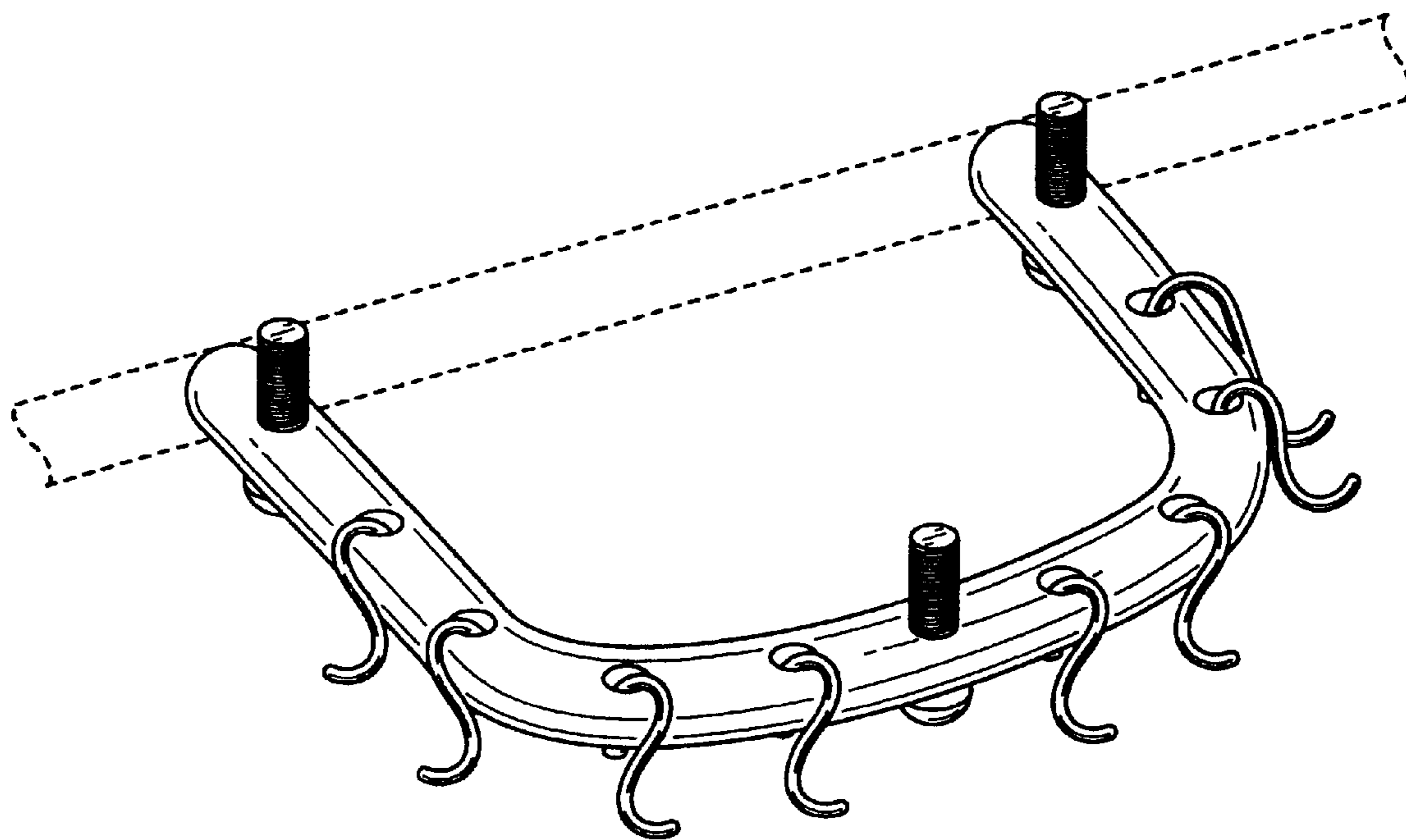


FIG. 4

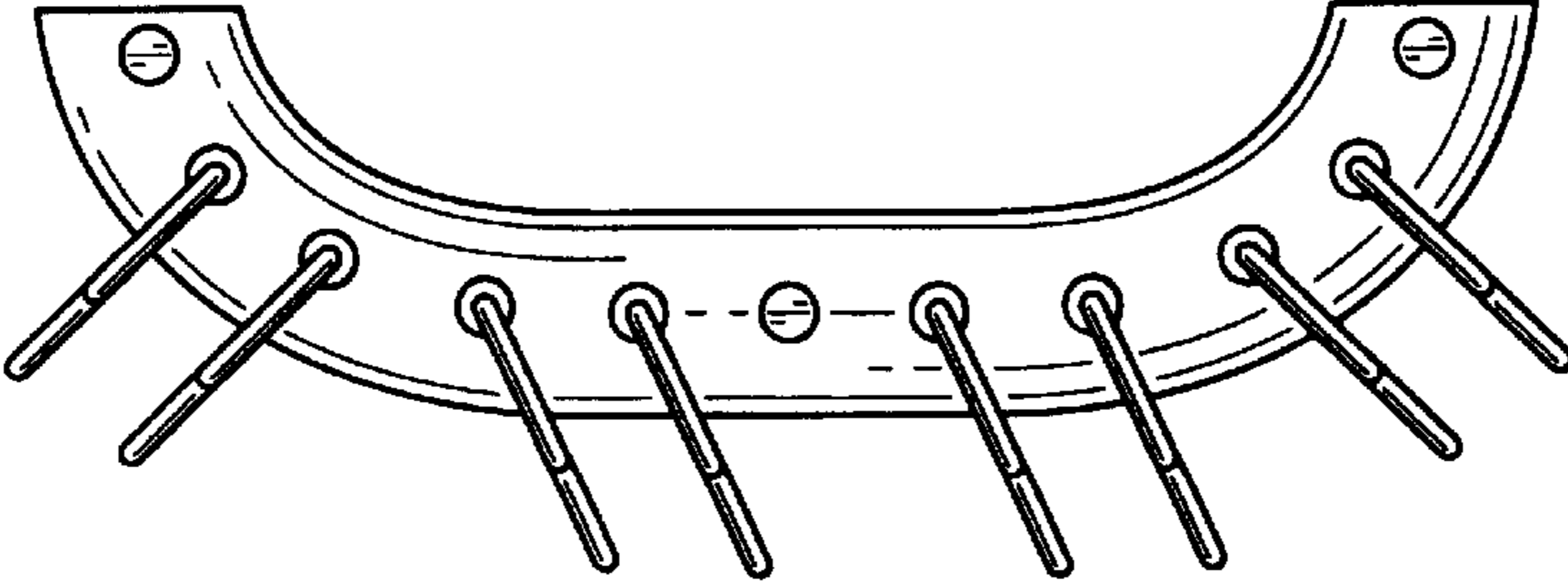


FIG. 5

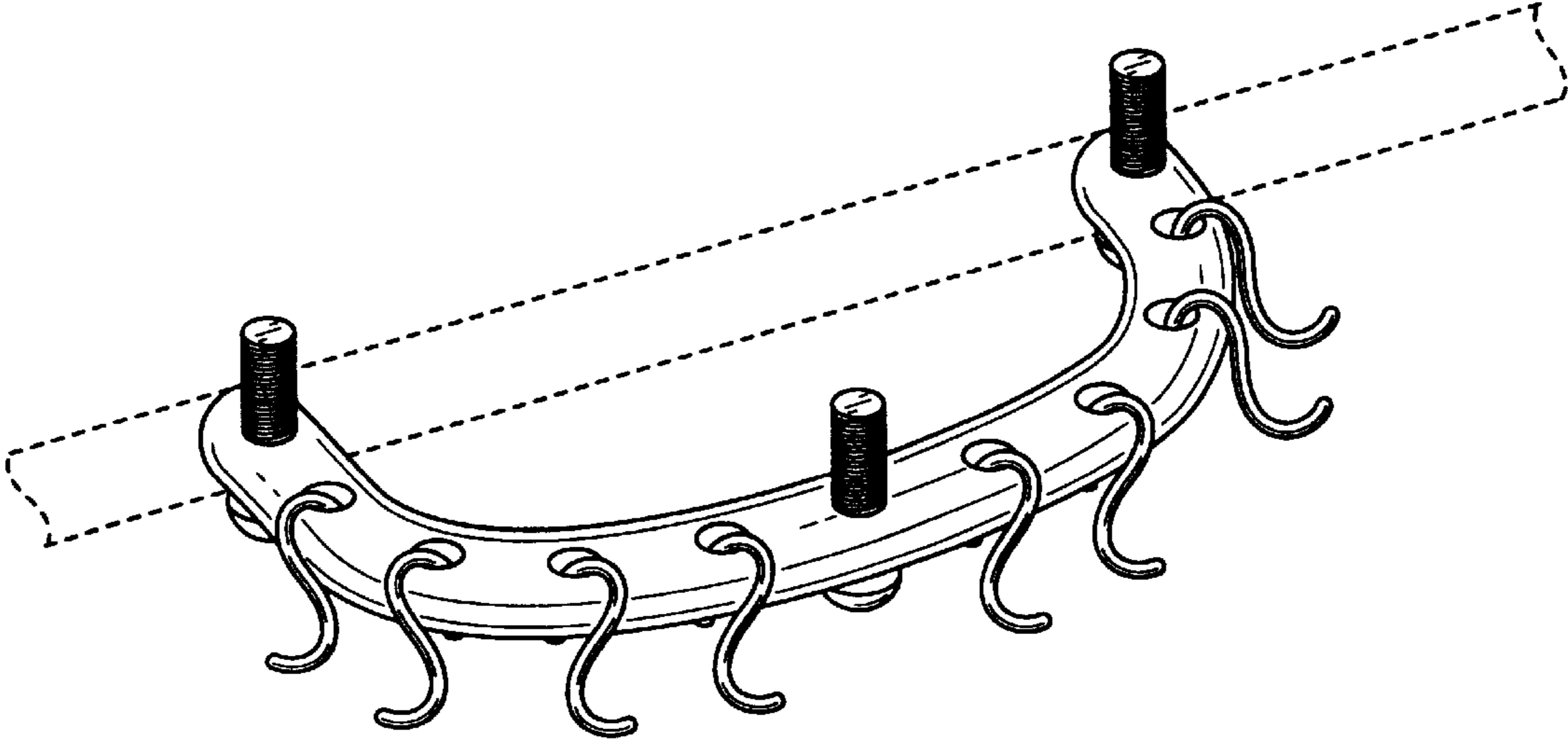


FIG. 6

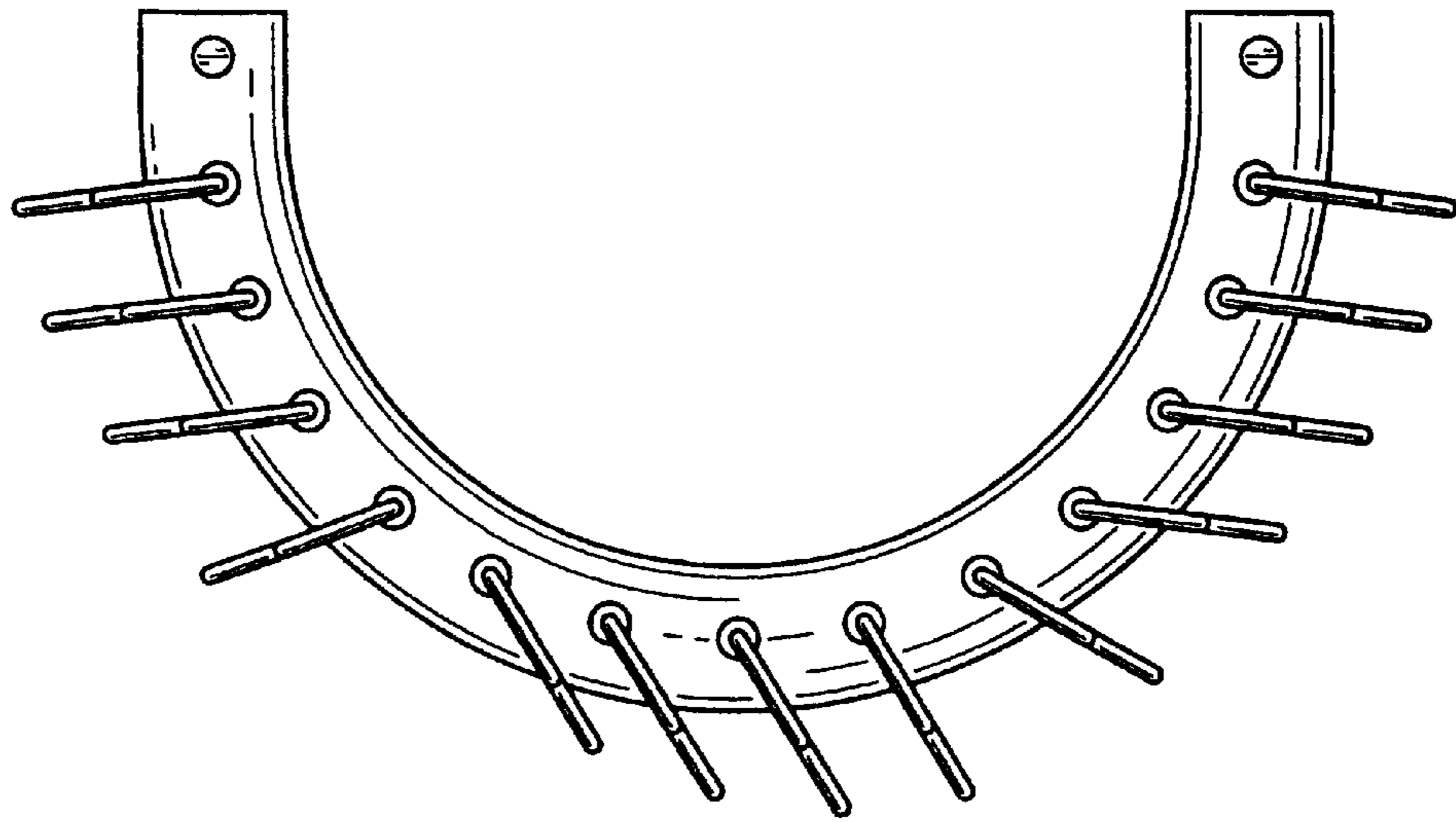


FIG. 7

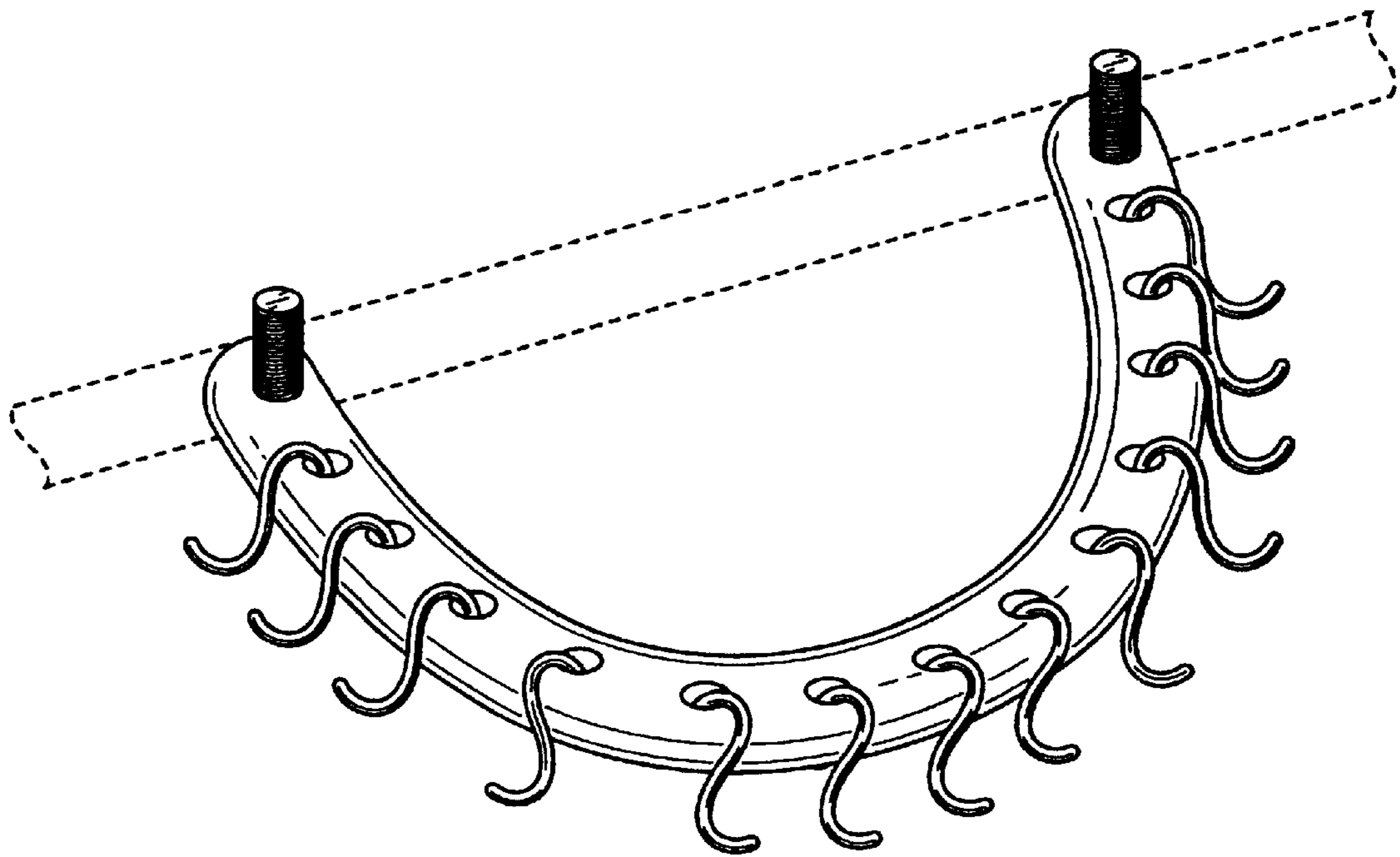


FIG. 8