



US00D522284S

(12) **United States Design Patent** (10) **Patent No.:** **US D522,284 S**
Shapiro et al. (45) **Date of Patent:** **** Jun. 6, 2006**

(54) **LOCKER SHELF**

(75) Inventors: **Bruce Shapiro**, Highland Park, IL
 (US); **David Shapiro**, Chicago, IL
 (US); **David Stone**, Highland Park, IL
 (US)

(73) Assignee: **It's Academic of Illinois, Inc.**,
 Northbrook, IL (US)

(**) Term: **14 Years**

(21) Appl. No.: **29/232,855**

(22) Filed: **Jun. 24, 2005**

(51) **LOC (8) Cl.** **06-06**

(52) **U.S. Cl.** **D6/511**

(58) **Field of Classification Search** D6/449,
 D6/477-479, 511; 108/152, 53.1; 211/153,
 211/183, 134; 206/505, 507, 509
 See application file for complete search history.

(56) **References Cited**

U.S. PATENT DOCUMENTS

3,170,415	A	*	2/1965	Svilokos	108/27
D241,297	S	*	9/1976	Maslow	D6/511
D323,259	S	*	1/1992	Evans	D6/474
5,137,160	A	*	8/1992	Santucci	211/153
D329,157	S	*	9/1992	Santucci	D6/511
D329,764	S	*	9/1992	Evans	D6/462
D376,708	S	*	12/1996	Robertson et al.	D6/429
D380,762	S	*	7/1997	Sammur	D15/89
D383,624	S	*	9/1997	Grosfillex	D6/479
5,960,720	A	*	10/1999	Borland et al.	108/53.1

6,152,314	A	*	11/2000	Besanko et al.	211/134
D477,933	S	*	8/2003	Wood et al.	D6/437
6,877,826	B1	*	4/2005	Wood et al.	312/205
D511,916	S	*	11/2005	Shapiro	D6/511

* cited by examiner

Primary Examiner—Cathron C. Brooks

(74) *Attorney, Agent, or Firm*—Wood, Philips, Katz Clark & Mortimer

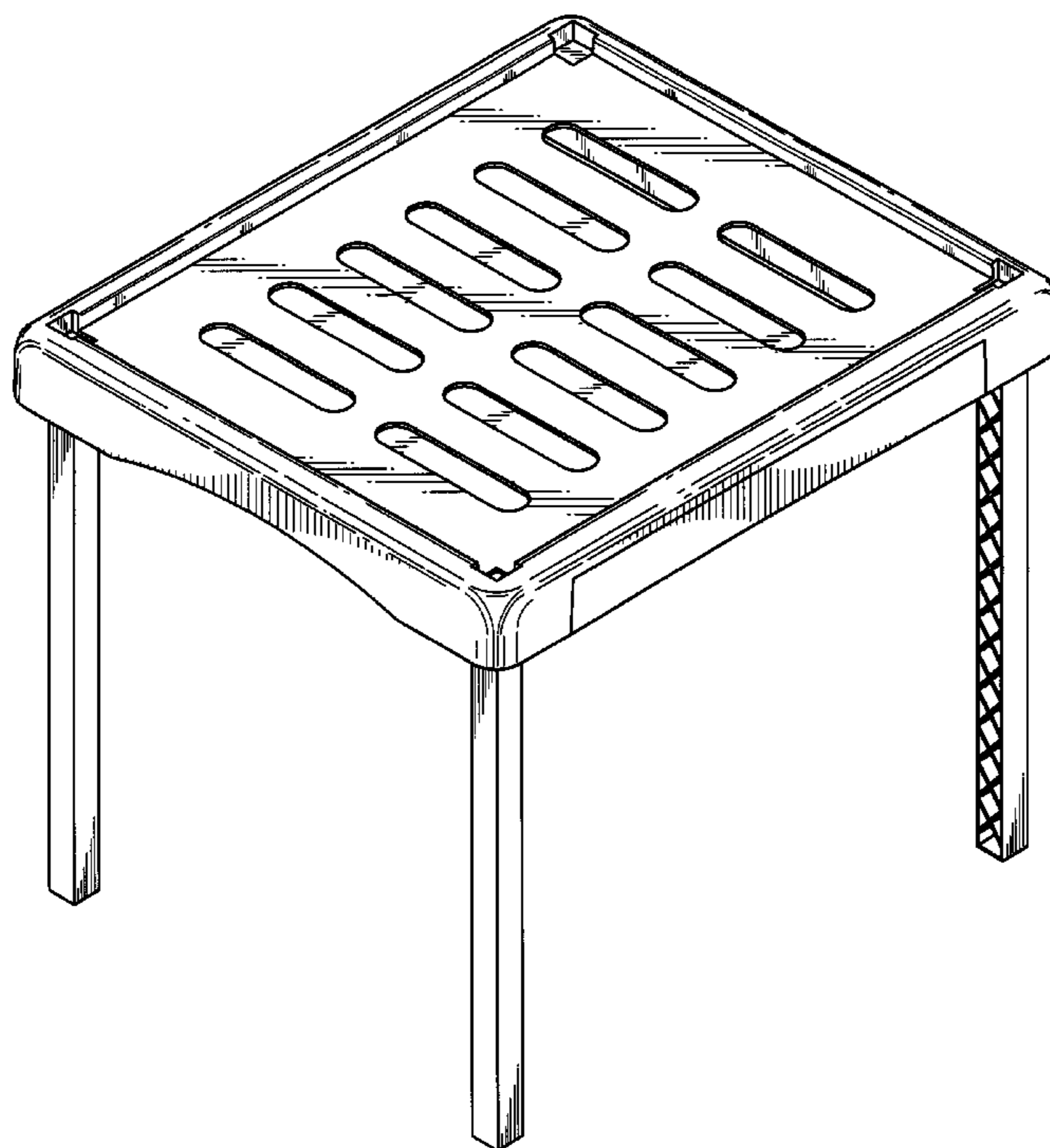
(57) **CLAIM**

The ornamental design for a locker shelf, substantially as shown and described.

DESCRIPTION

FIG. 1 is a perspective view of a first embodiment of a locker shelf showing our new design;
 FIG. 2 is a front elevation view thereof;
 FIG. 3 is a rear elevational view thereof;
 FIG. 4 is a left side elevational view thereof, the right side elevational view being identical thereto;
 FIG. 5 is a top plan view thereof;
 FIG. 6 is a perspective view of a second embodiment of a locker shelf showing our new design;
 FIG. 7 is front elevational view of the embodiment of FIG. 6;
 FIG. 8 is a rear elevational view of the embodiment of FIG. 6;
 FIG. 9 is a right side elevational view of the embodiment of FIG. 6, the left side elevational view being identical thereto;
 and,
 FIG. 10 is a top plan view of the embodiment of FIG. 6.

1 Claim, 8 Drawing Sheets



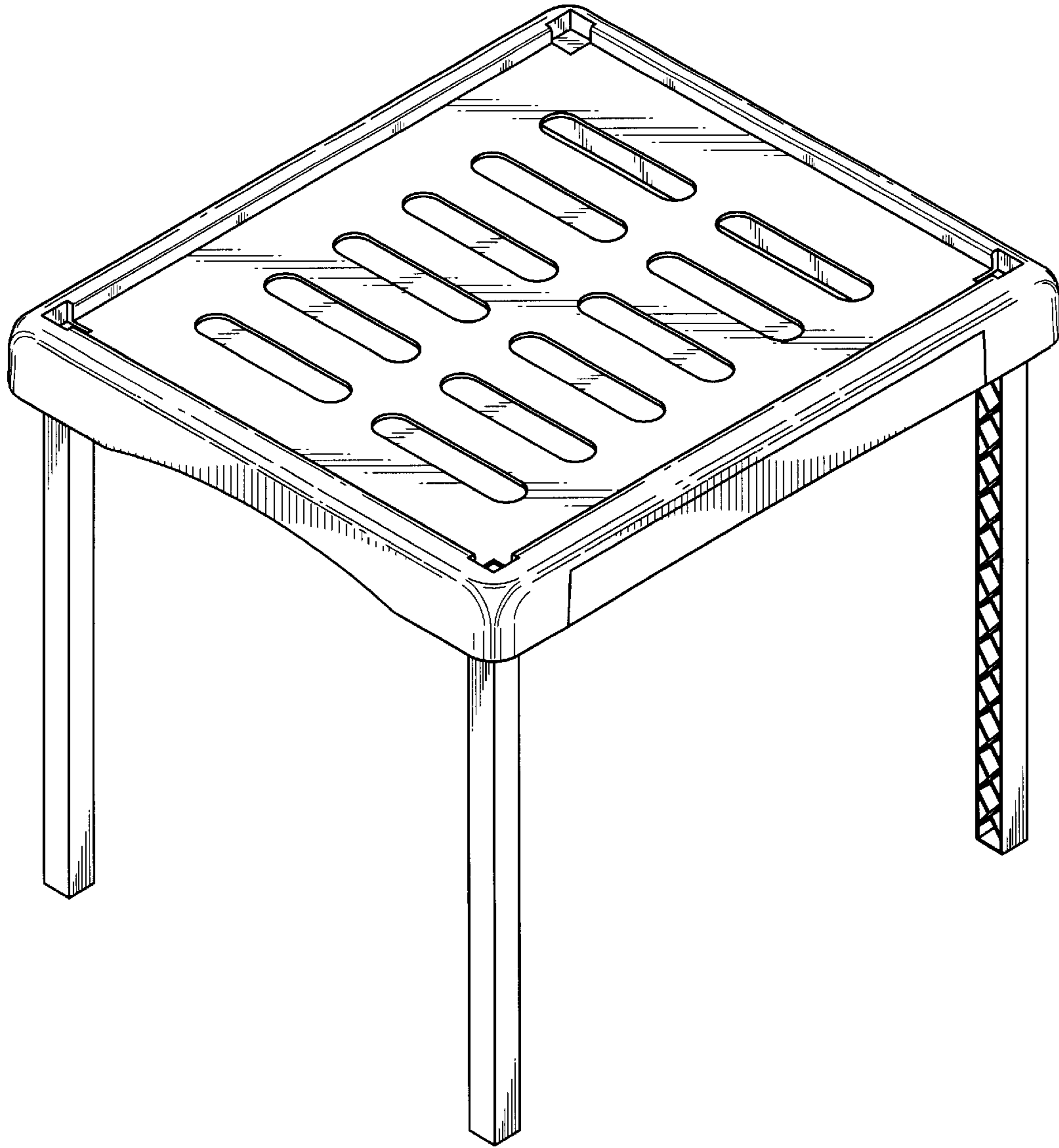


Fig. 1

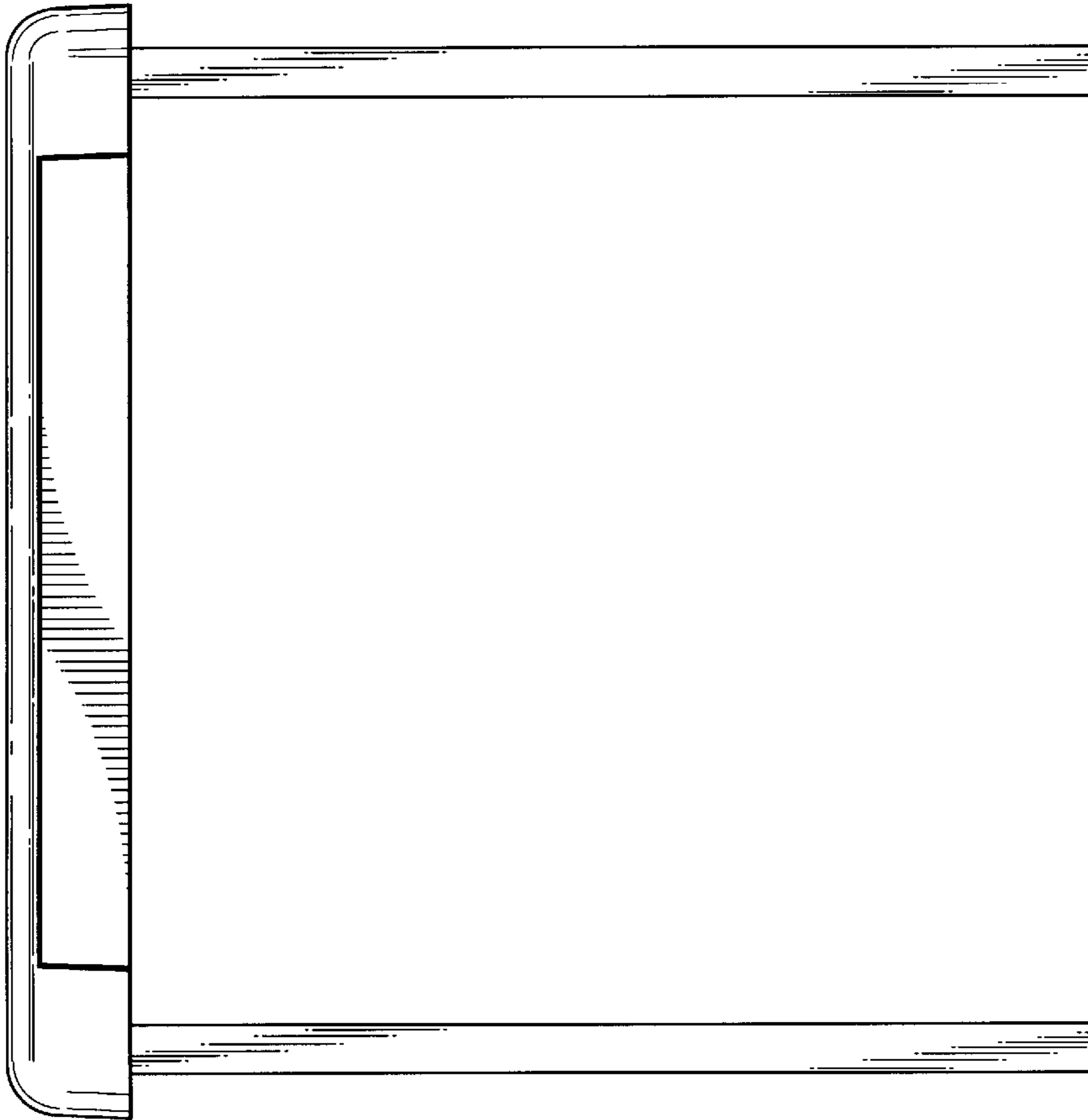


Fig. 2

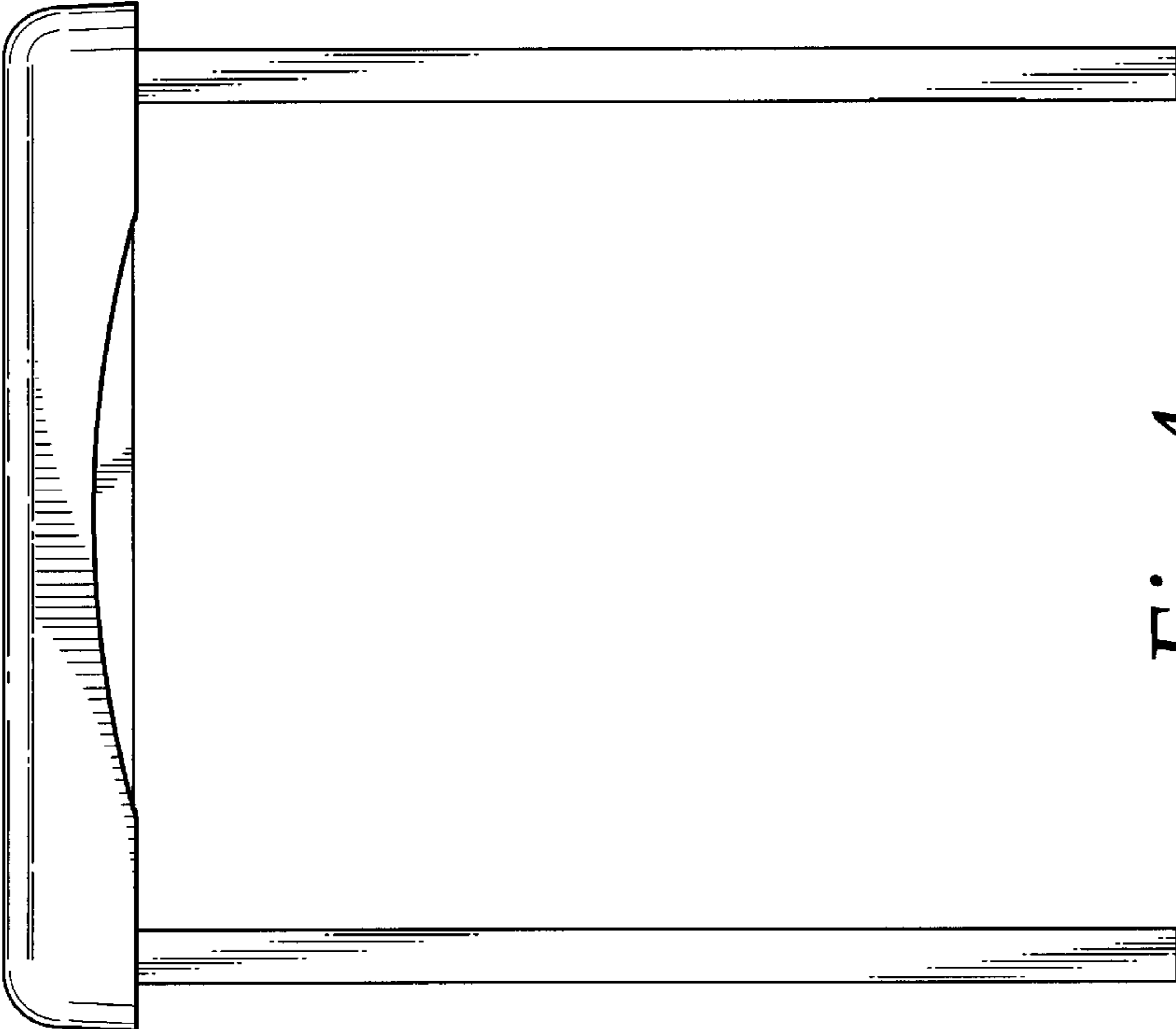


Fig. 4

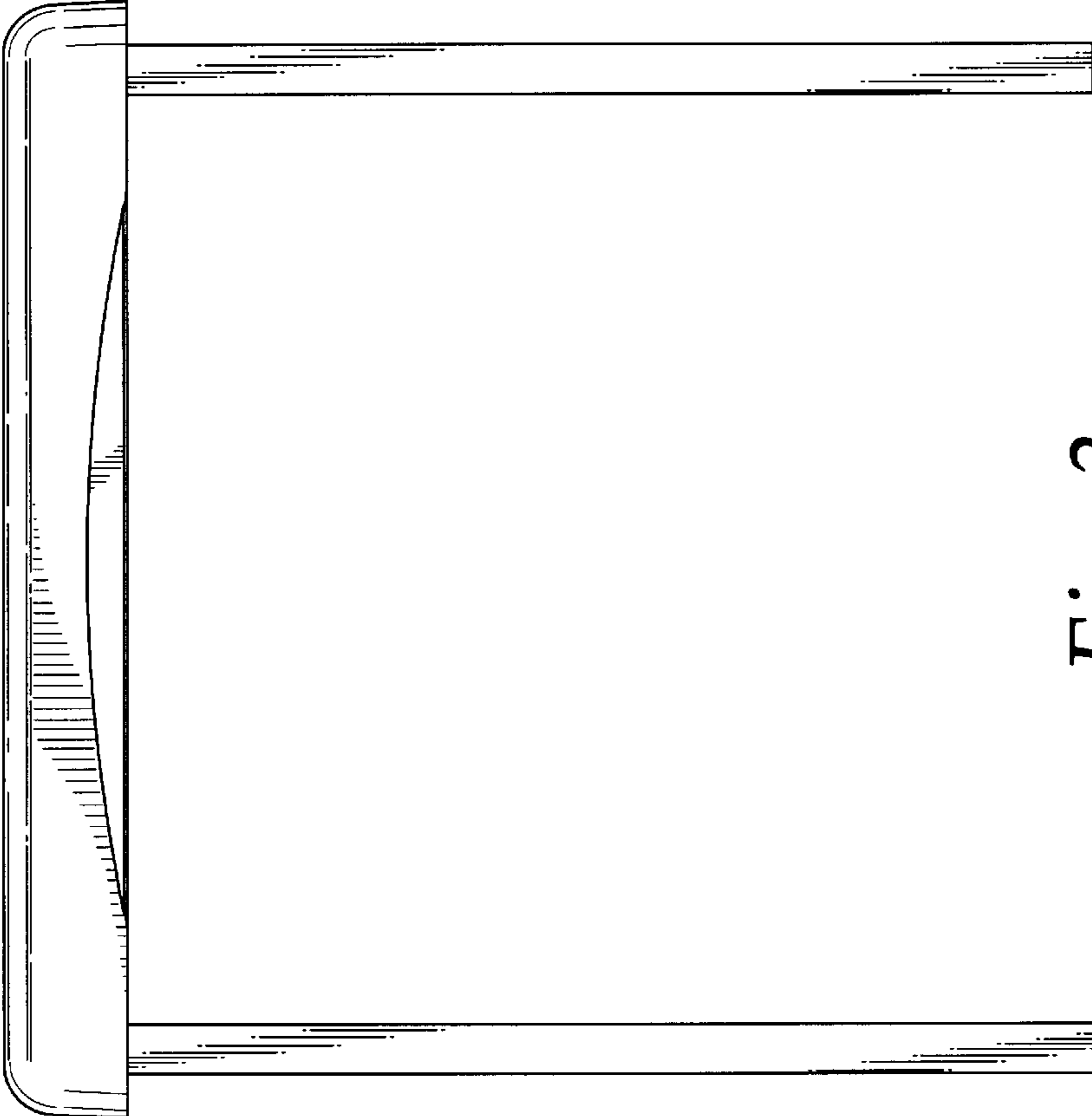


Fig. 3

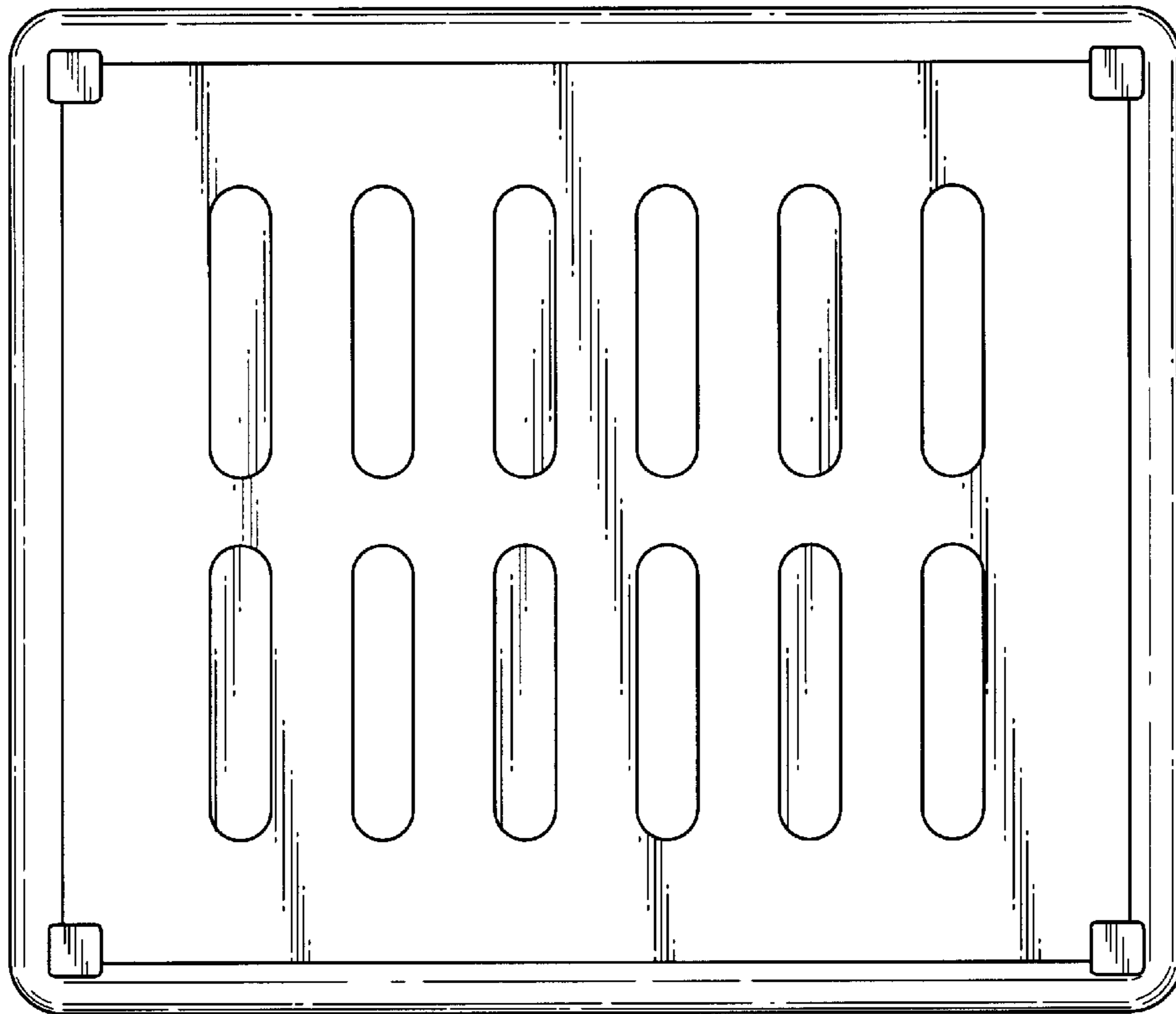


Fig. 5

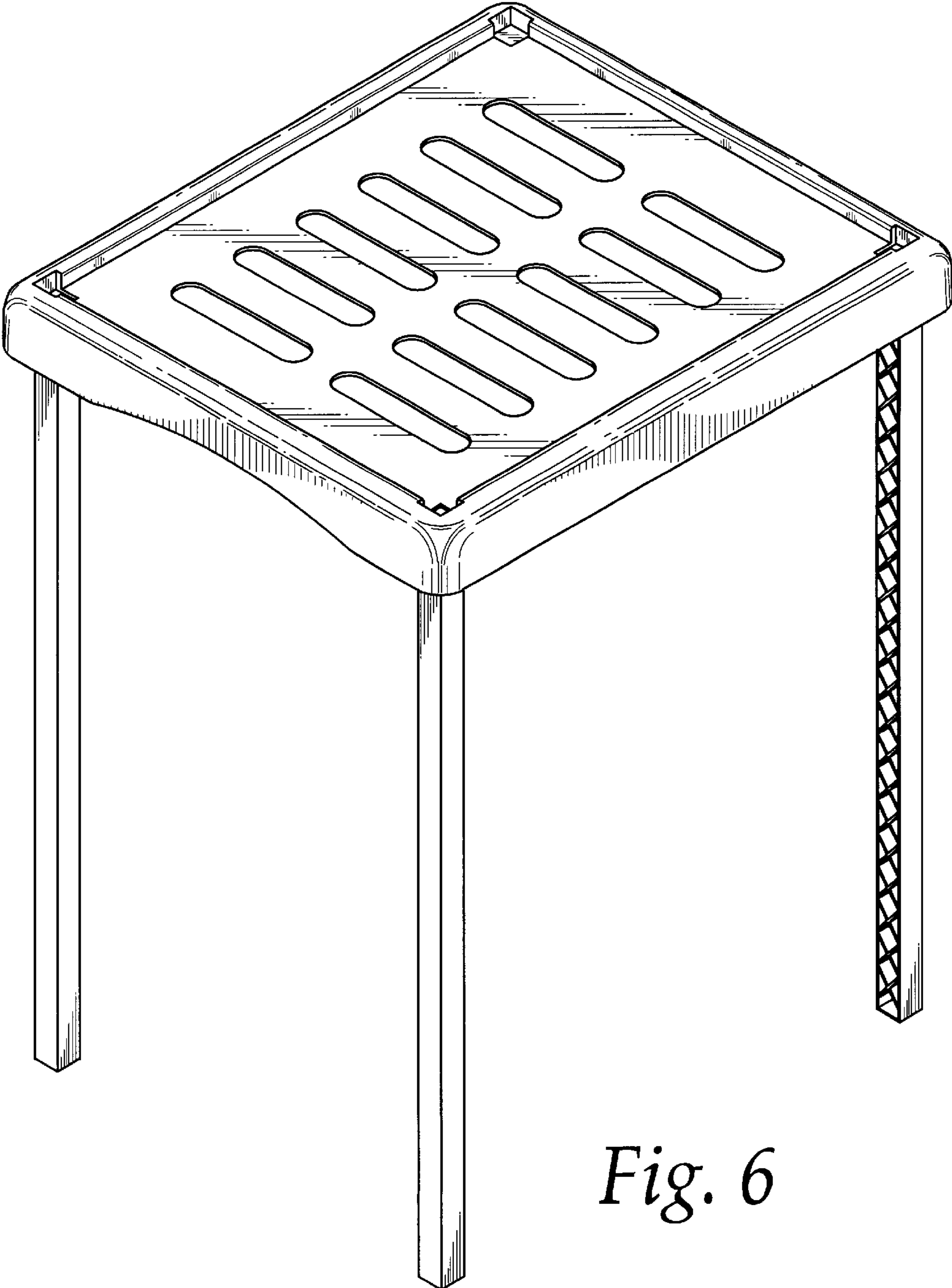


Fig. 6

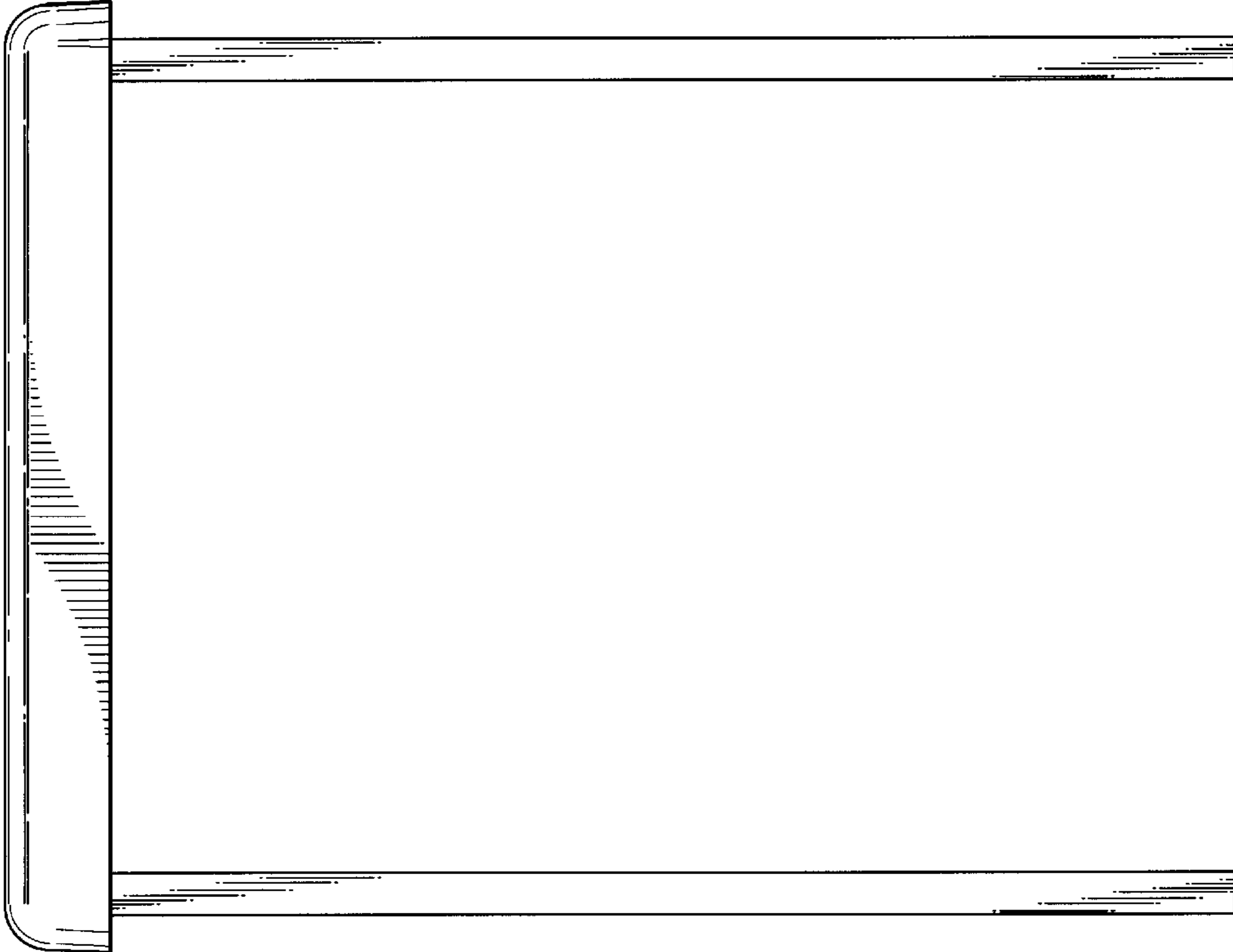


Fig. 7

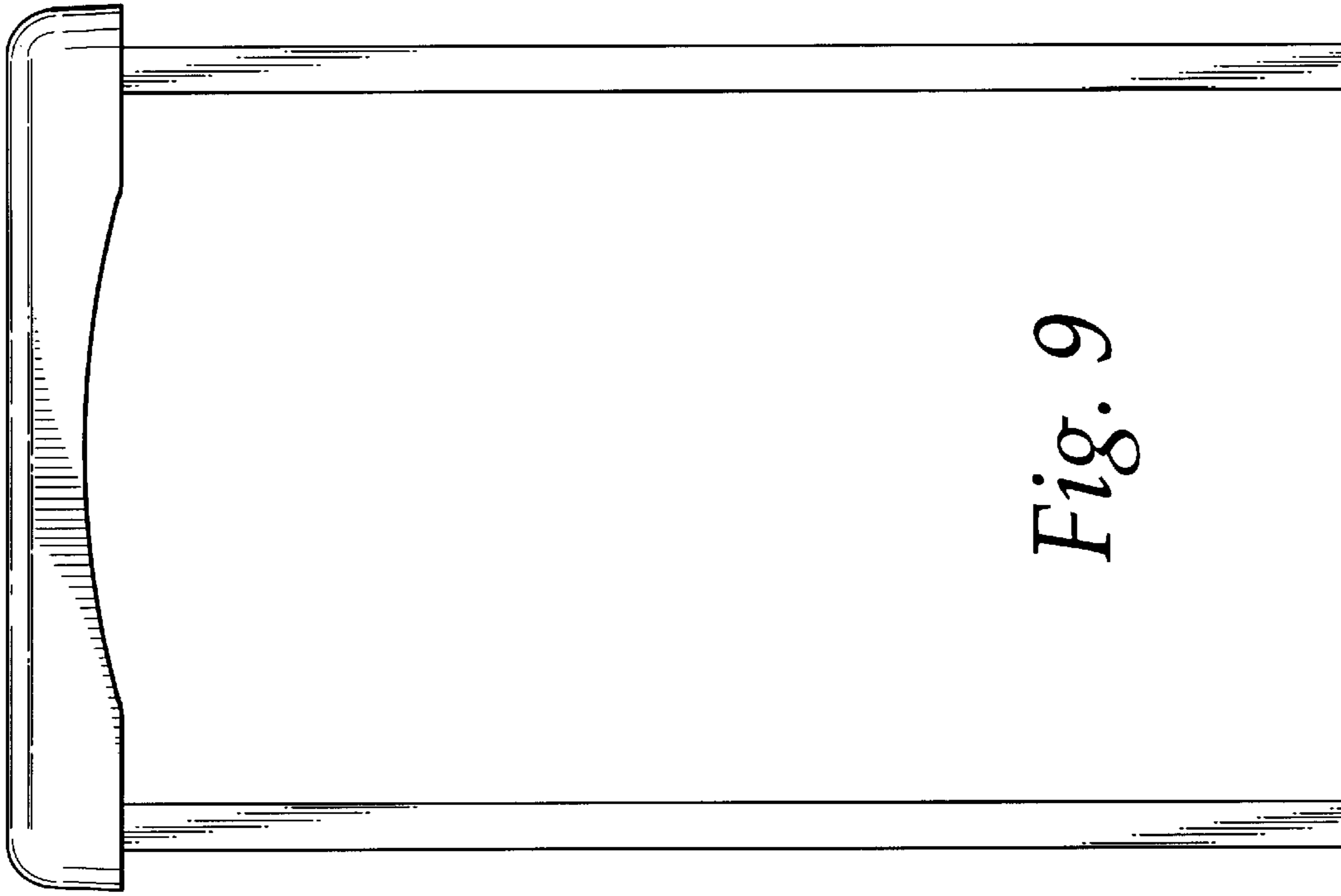


Fig. 9

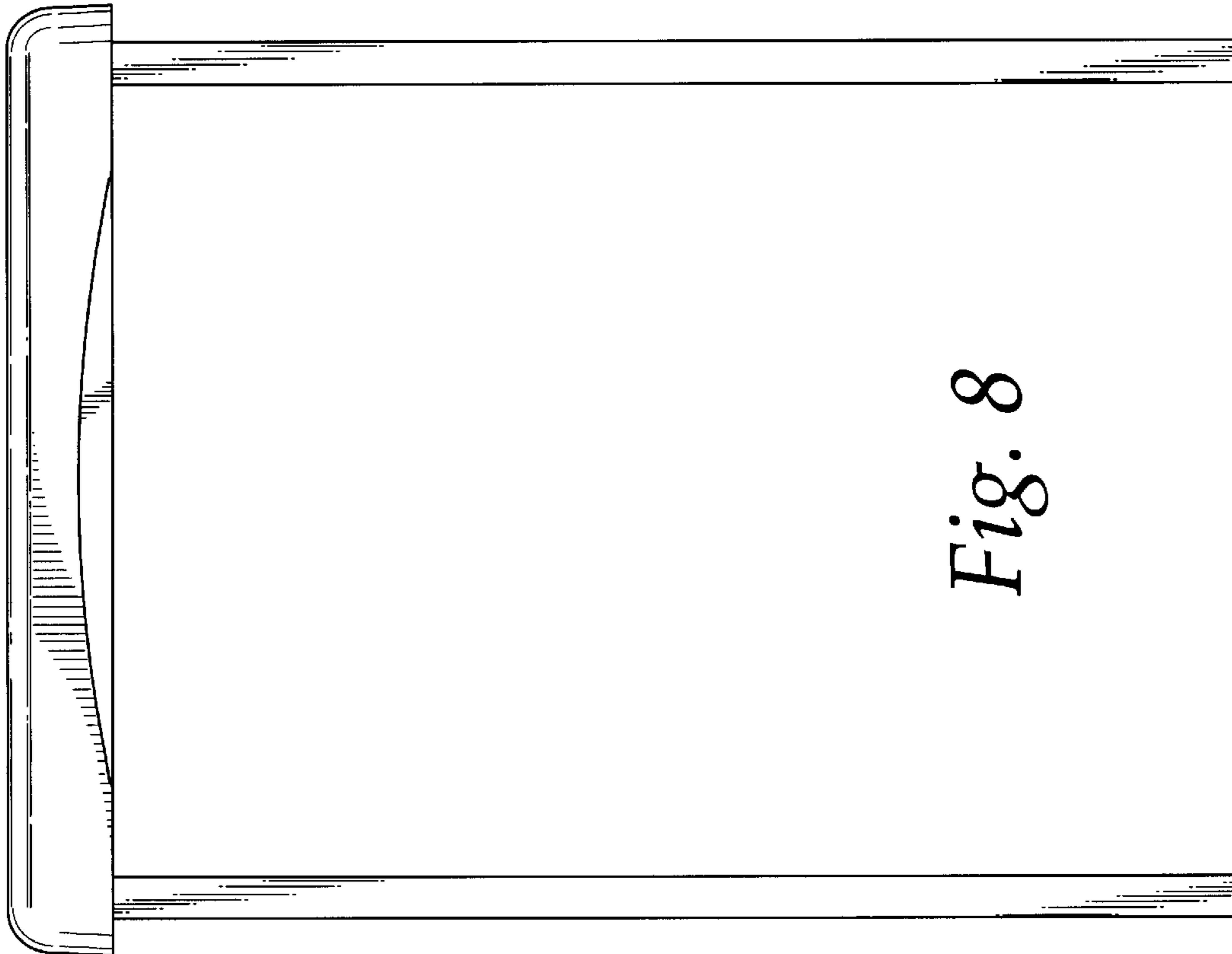


Fig. 8

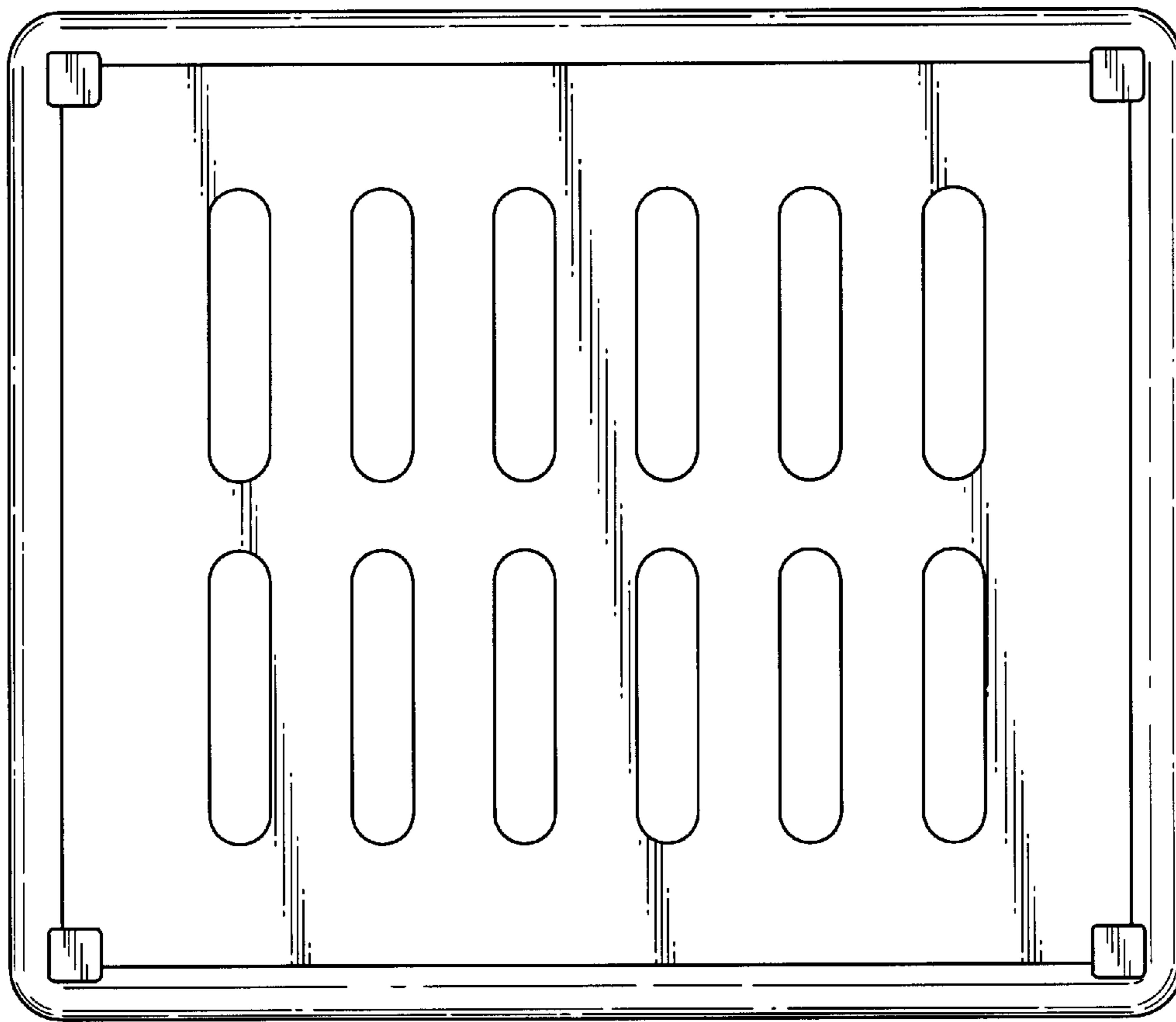


Fig. 10