

US00D522279S

(12) **United States Design Patent**  
**Hånsbæk**

(10) **Patent No.:** **US D522,279 S**

(45) **Date of Patent:** **\*\* Jun. 6, 2006**

(54) **TABLE**

(75) Inventor: **Per Hånsbæk**, Højbjerg (DK)

(73) Assignee: **Skovby Møbelfabrik A/S**, Galten (DK)

(\*\*) Term: **14 Years**

(21) Appl. No.: **29/205,099**

(22) Filed: **May 10, 2004**

(30) **Foreign Application Priority Data**

Nov. 12, 2003 (EP) ..... 000099528

(51) **LOC (8) Cl.** ..... **06-03**

(52) **U.S. Cl.** ..... **D6/484**

(58) **Field of Classification Search** ..... D6/480-489,  
D6/495-499, 450, 451, 429-431; 108/153.1,  
108/155, 156, 157.1, 161, 83, 86, 89; 248/188,  
248/188.1, 188.8

See application file for complete search history.

(56) **References Cited**

**U.S. PATENT DOCUMENTS**

2,631,075	A	*	3/1953	De Gaal	.....	108/86
2,707,138	A	*	4/1955	Vangor	.....	108/83
3,875,712	A	*	4/1975	Thompson	.....	52/263
3,885,765	A	*	5/1975	Richards	.....	248/188.1
D243,983	S	*	4/1977	Carter	.....	D6/484
4,077,335	A	*	3/1978	Luzzani et al.	.....	108/75
D487,654	S	*	3/2004	Molteni	.....	D6/484

\* cited by examiner

*Primary Examiner*—Janice Seeger

(74) *Attorney, Agent, or Firm*—Nath & Associates; Gergory B. Kang; Derek Richmond

(57) **CLAIM**

The ornamental design for a table, as shown and described.

**DESCRIPTION**

FIG. 1 is an oblique perspective view of the upper portion of the table in an unextended, closed position;

FIG. 2 is an oblique perspective view of the lower portion of the table showing leaves in a stowed position;

FIG. 3 is an oblique perspective view of the lower portion of the table showing leaves removed;

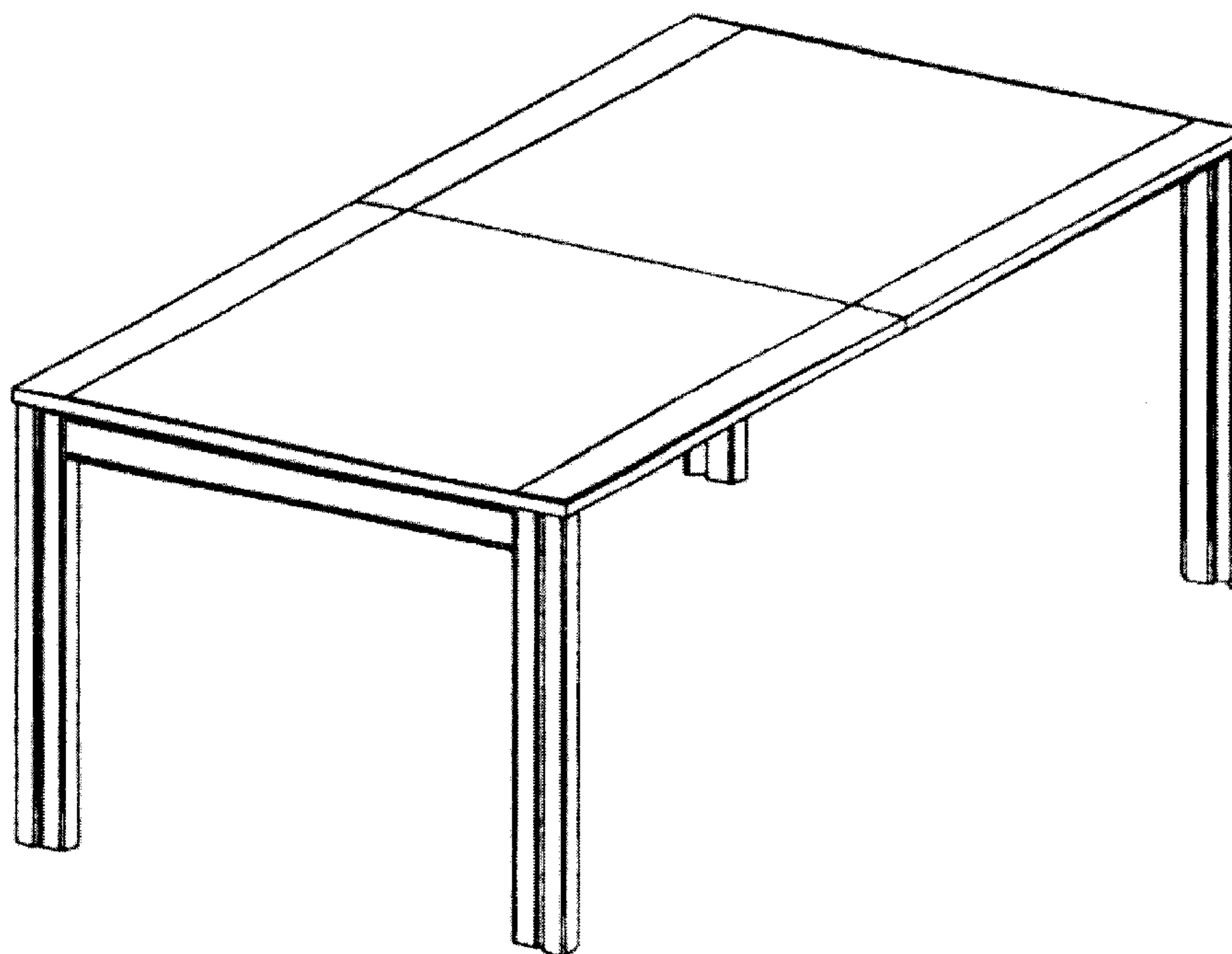
FIG. 4 is an oblique perspective view of the assembled table in an extended, open position with the leaves inserted;

FIG. 5 is an oblique perspective view of the assembled table in an extended, open position with the leaves shown in a stowed position and with glide rails visible;

FIG. 6 is a front view of the assembled table with the skirt removed to show the position of the glide rails, the back being the same; and,

FIG. 7 is a side view of the assembled table in an unextended, closed position, with the skirt and glide rails removed to show the position of the leaves, the left and right sides being the same.

**1 Claim, 7 Drawing Sheets**



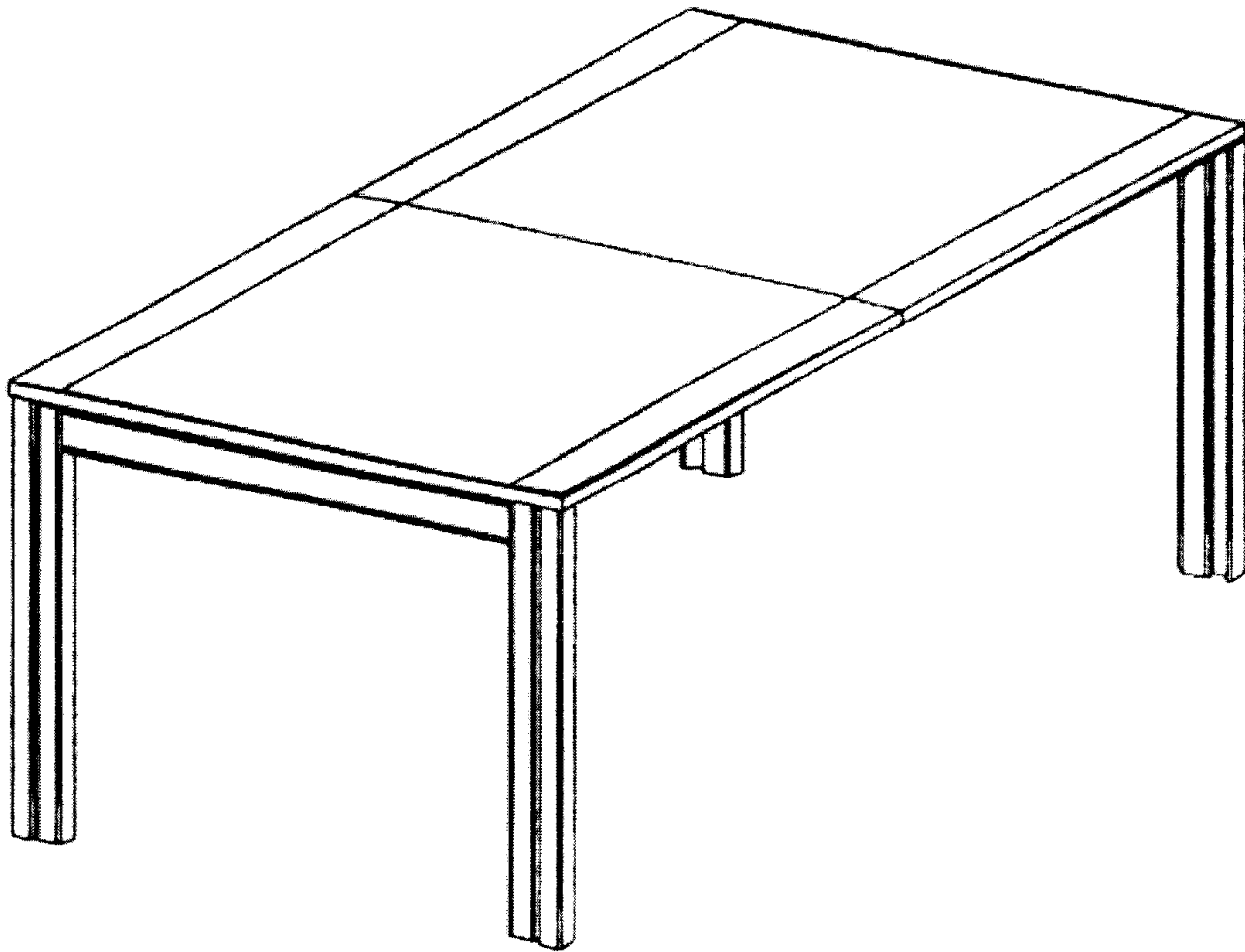


FIG. 1

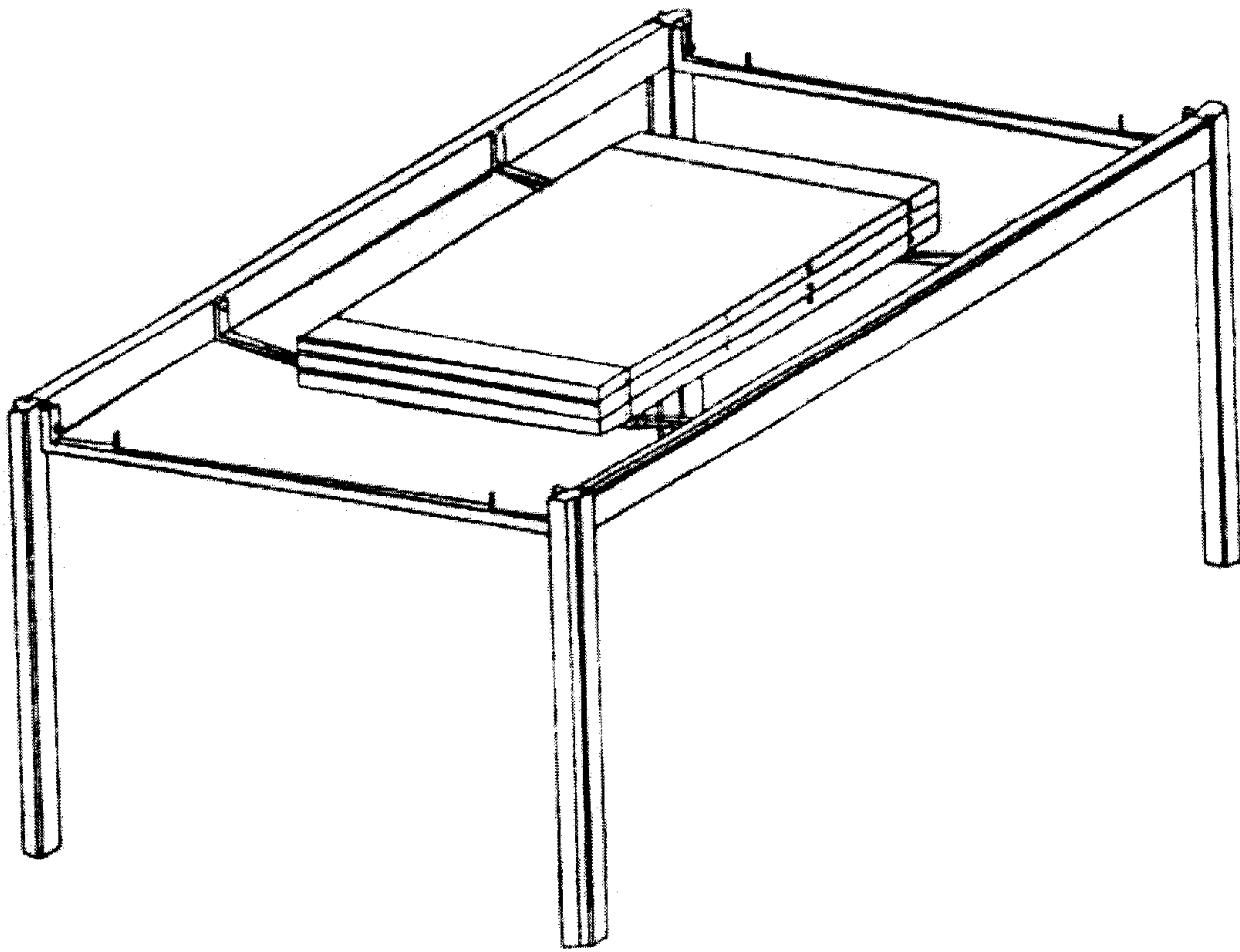


FIG. 2

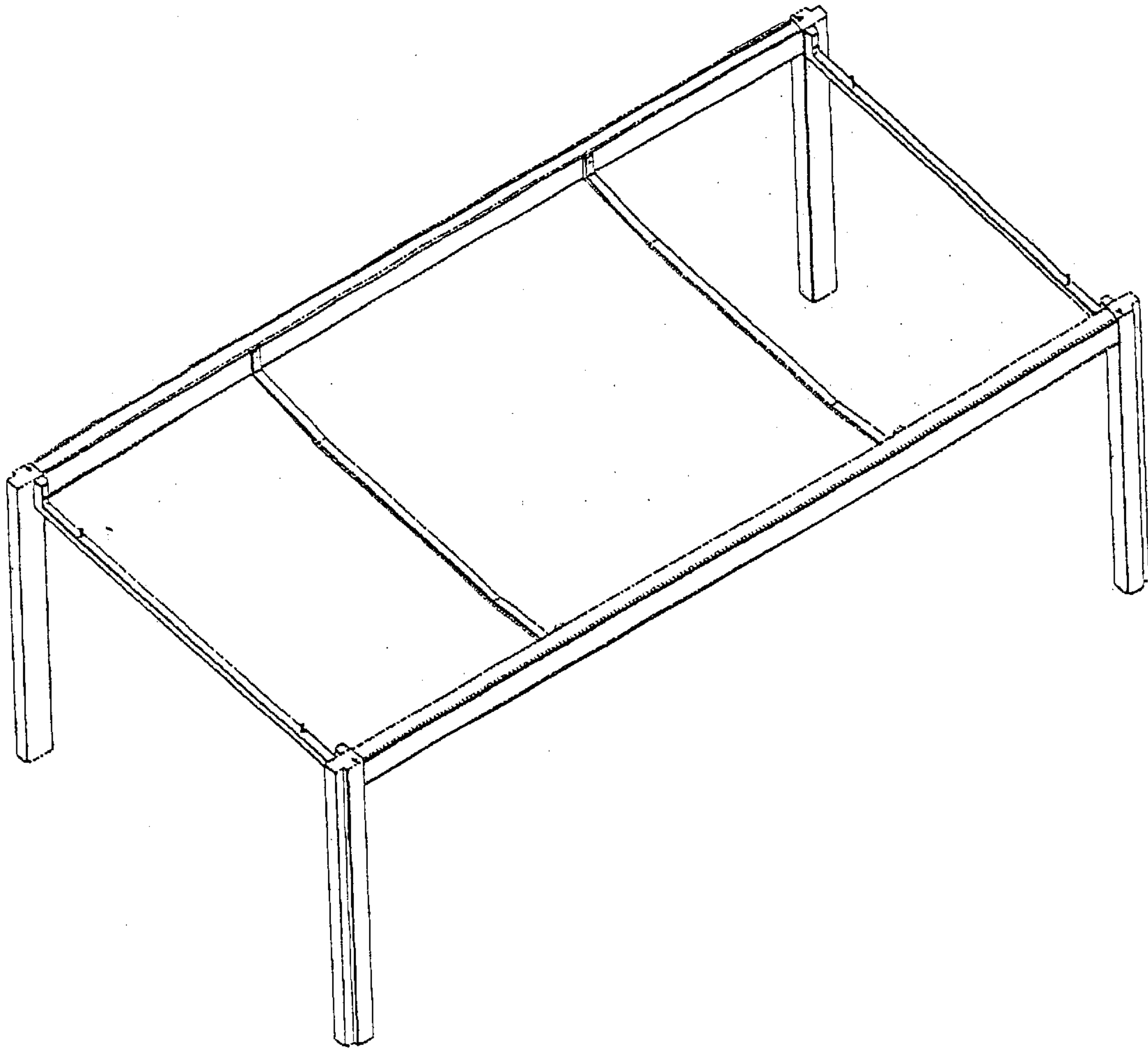


FIG. 3

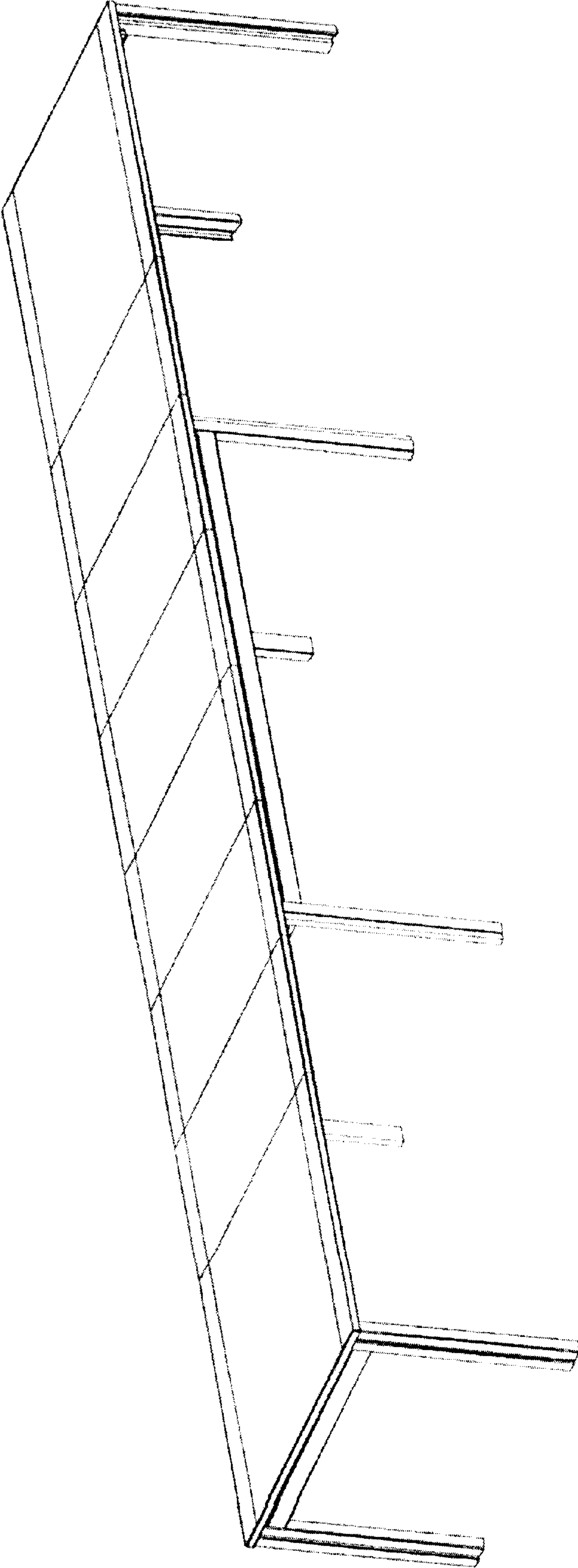


FIG. 4



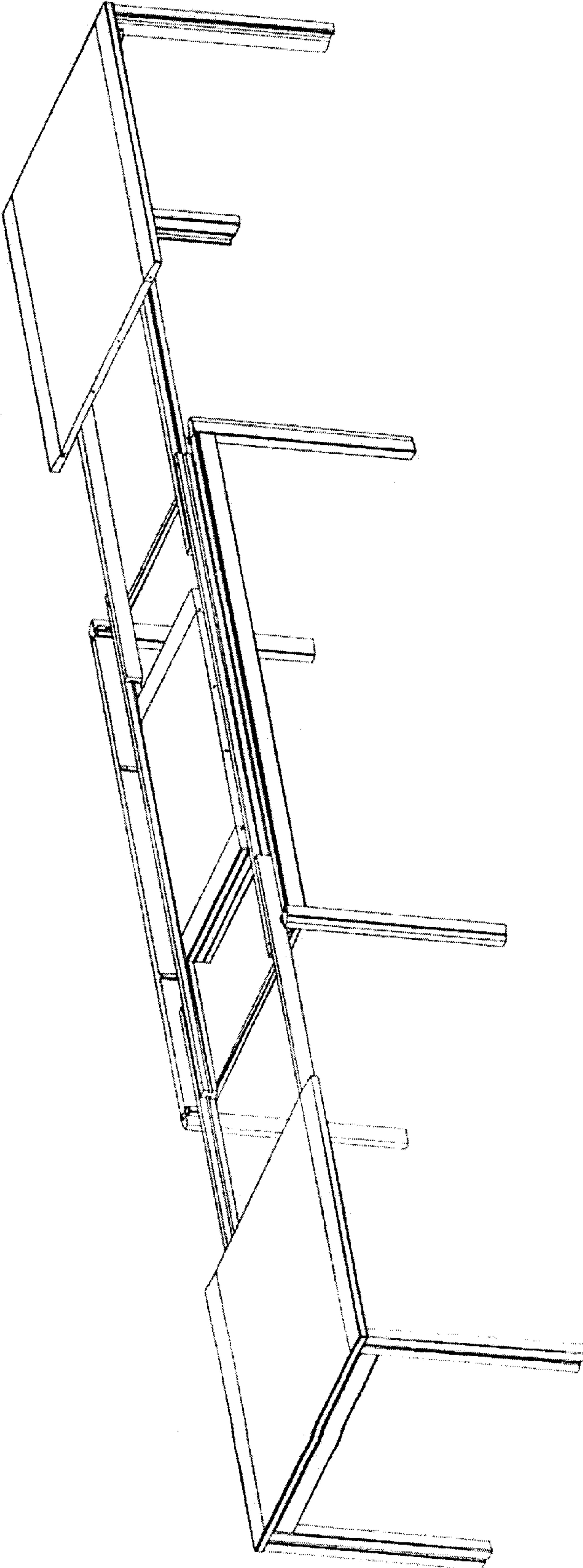


FIG. 5

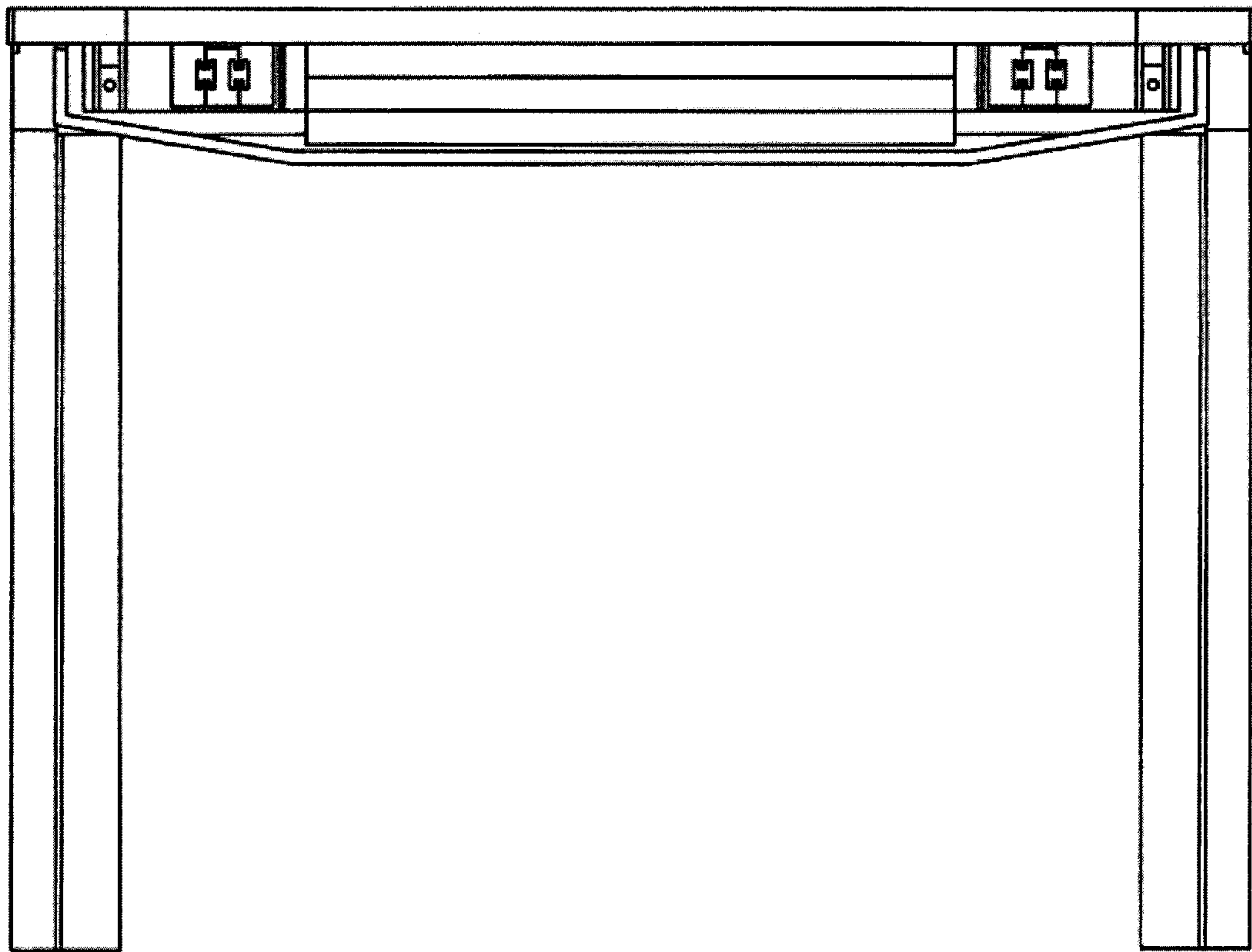


FIG. 6

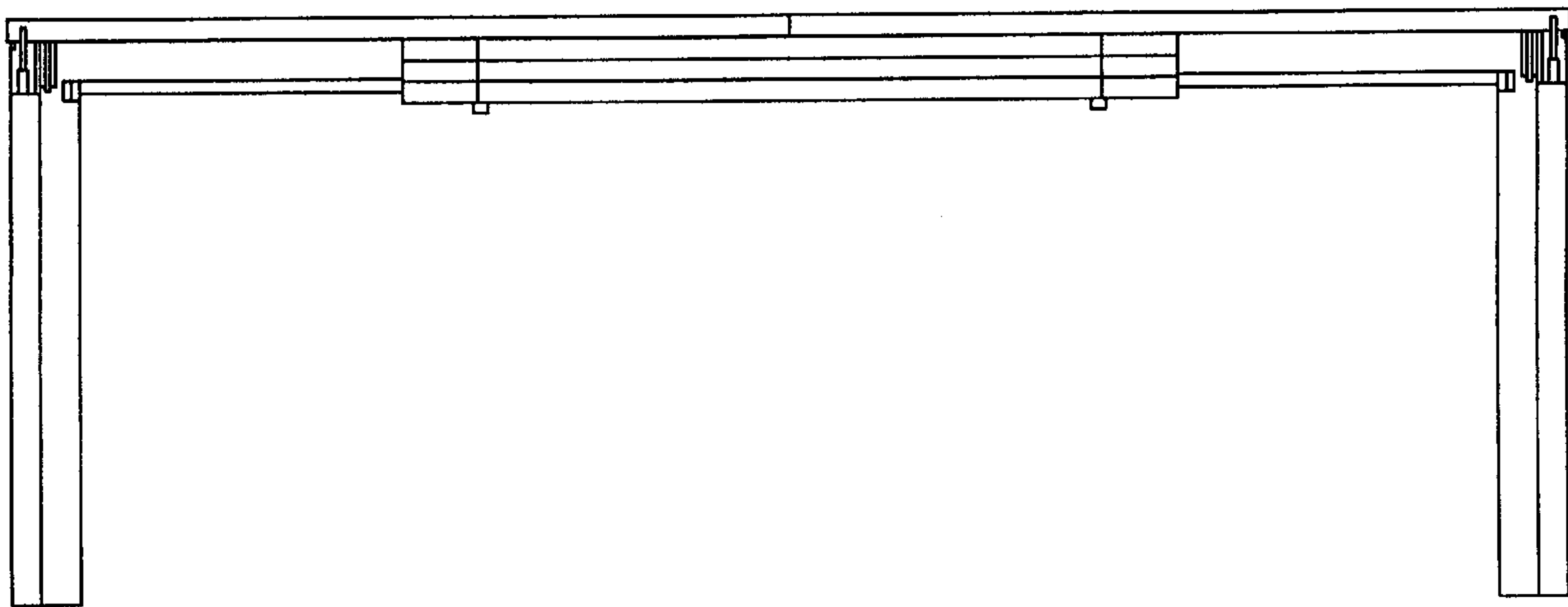


FIG. 7