

US00D522271S

(12) **United States Design Patent**
Arippol

(10) **Patent No.:** **US D522,271 S**

(45) **Date of Patent:** **** Jun. 6, 2006**

(54) **HOUSING FOR COMPUTER MODULES**

(76) **Inventor:** **Derick Arrippol**, 2000 Broadway St.,
Apt., 204, San Francisco, CA (US)
94115-1566

(**) **Term:** **14 Years**

(21) **Appl. No.:** **29/187,207**

(22) **Filed:** **Jul. 29, 2003**

(51) **LOC (8) Cl.** **06-04**

(52) **U.S. Cl.** **D6/465**

(58) **Field of Classification Search** D14/300-302,
D14/308-313; D6/449, 458, 460-465, 467,
D6/468, 473, 474, 477, 479, 483; D13/162,
D13/184, 199; 312/223.1; 211/26; 248/57,
248/121; 361/725, 724, 727, 683

See application file for complete search history.

(56) **References Cited**

U.S. PATENT DOCUMENTS

D304,398	S	*	11/1989	Goetz	D6/479
D305,710	S	*	1/1990	Ng et al.	D6/474
D311,291	S	*	10/1990	Ugalde	D6/474
D401,789	S	*	12/1998	Schwab	D6/483
6,021,047	A	*	2/2000	Lopez et al.	361/727
6,394,398	B1	*	5/2002	Reed et al.	248/57
6,577,498	B1	*	6/2003	Land et al.	361/683
2003/0030988	A1	*	2/2003	Garnett et al.	361/724

FOREIGN PATENT DOCUMENTS

FR 26104741 A1 * 8/1988

* cited by examiner

Primary Examiner—Freda S. Nunn

(74) *Attorney, Agent, or Firm*—Stattler Johansen & Adeli
LLP

(57) **CLAIM**

The ornamental design for a housing for computer modules,
as shown and described.

DESCRIPTION

FIG. 1 illustrates a top, perspective view of the housing in accordance with the design. The dashed lines represent a computer module that is typically coupled to the housing.

FIG. 2 illustrates a front elevation view of the housing in accordance with the design. The dashed lines represent a computer module that is typically coupled to the housing.

FIG. 3 illustrates a left elevation view of the housing in accordance with the design. The dashed lines represent a computer module that is typically coupled to the housing.

FIG. 4 illustrates a right elevation view of the housing in accordance with the design. The dashed lines represent a computer module that is typically coupled to the housing.

FIG. 5 illustrates a top plan view of the housing in accordance with the design. The dashed lines represent a computer module that is typically coupled to the housing.

FIG. 6 illustrates a bottom plan view of the housing in accordance with the design. The dashed lines represent a computer module that is typically coupled to the housing.

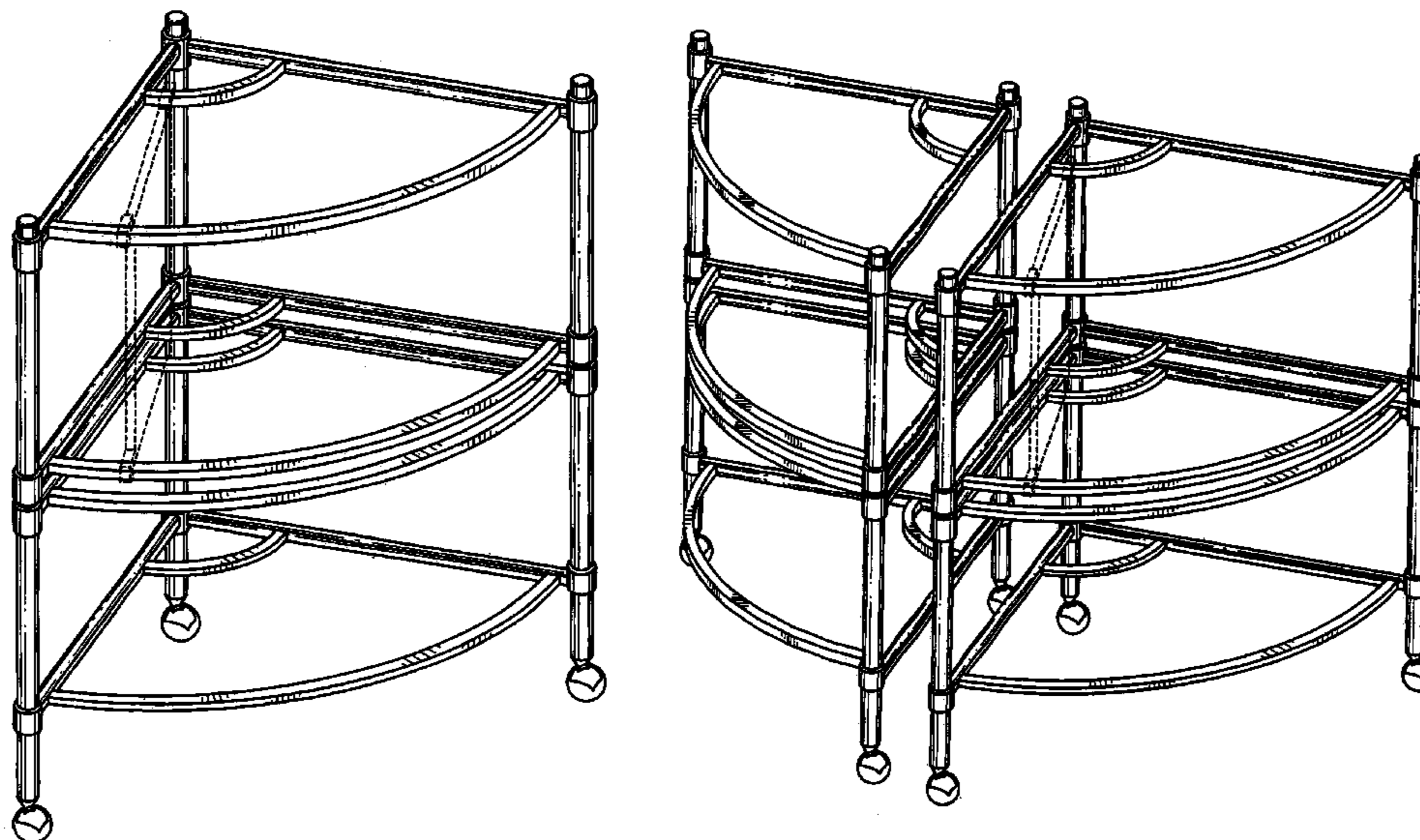
FIG. 7 illustrates a back elevation view of the housing in accordance with the design. The dashed lines represent a computer module that is typically coupled to the housing.

FIG. 8 illustrates a front, bottom perspective view of the housing in accordance with the design. The dashed lines represent a computer module that is typically coupled to the housing.

FIG. 9 illustrates a front, bottom view of the housing in accordance with the design. Both a computer module and a fan that can be added to the housing are represented with dashed lines; and,

FIG. 10 illustrates a top, right perspective view showing two housing units combined into a half circle in accordance with the design. The dashed lines represent a computer module that is typically coupled to the housing.

1 Claim, 10 Drawing Sheets



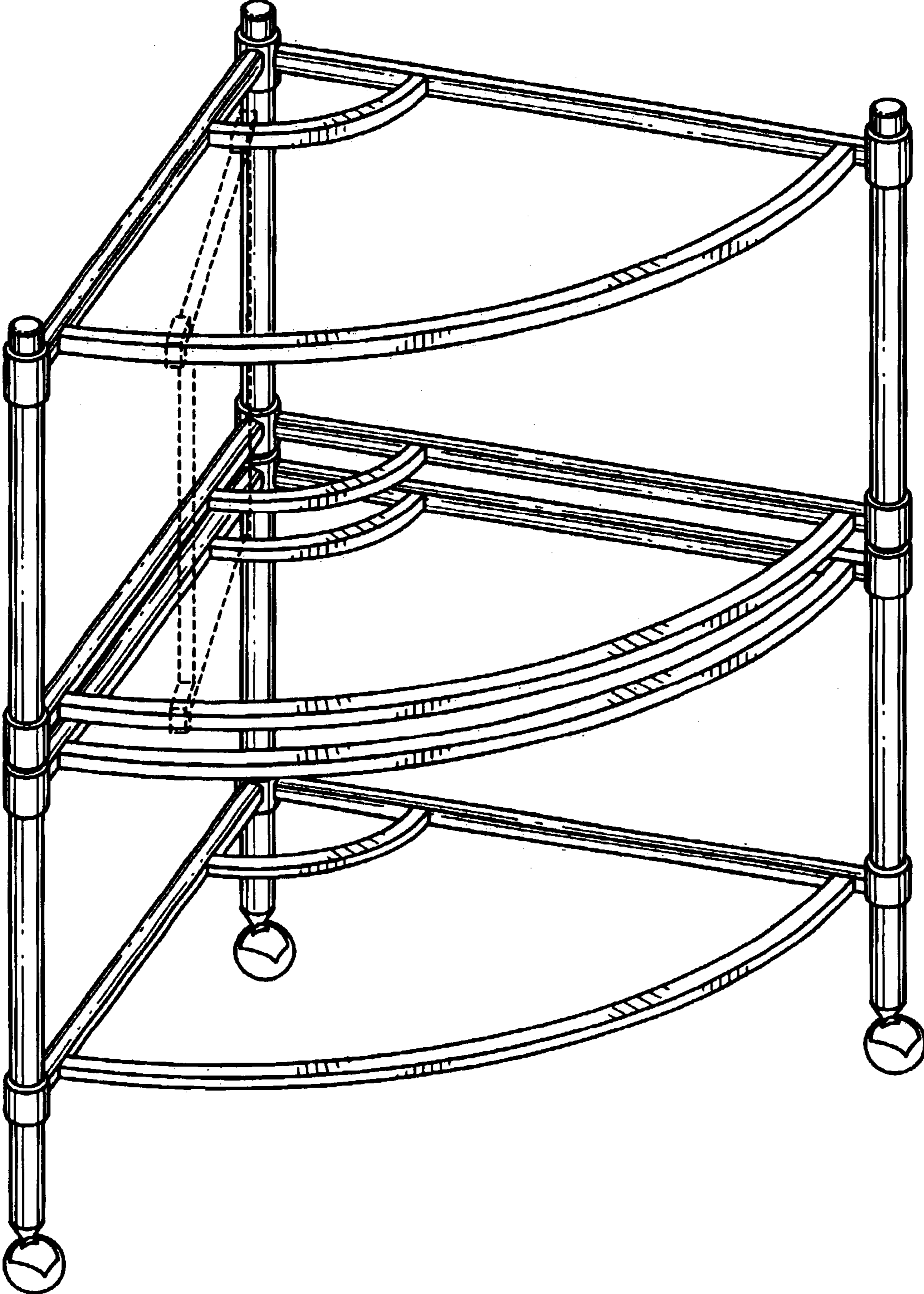


FIG. 1

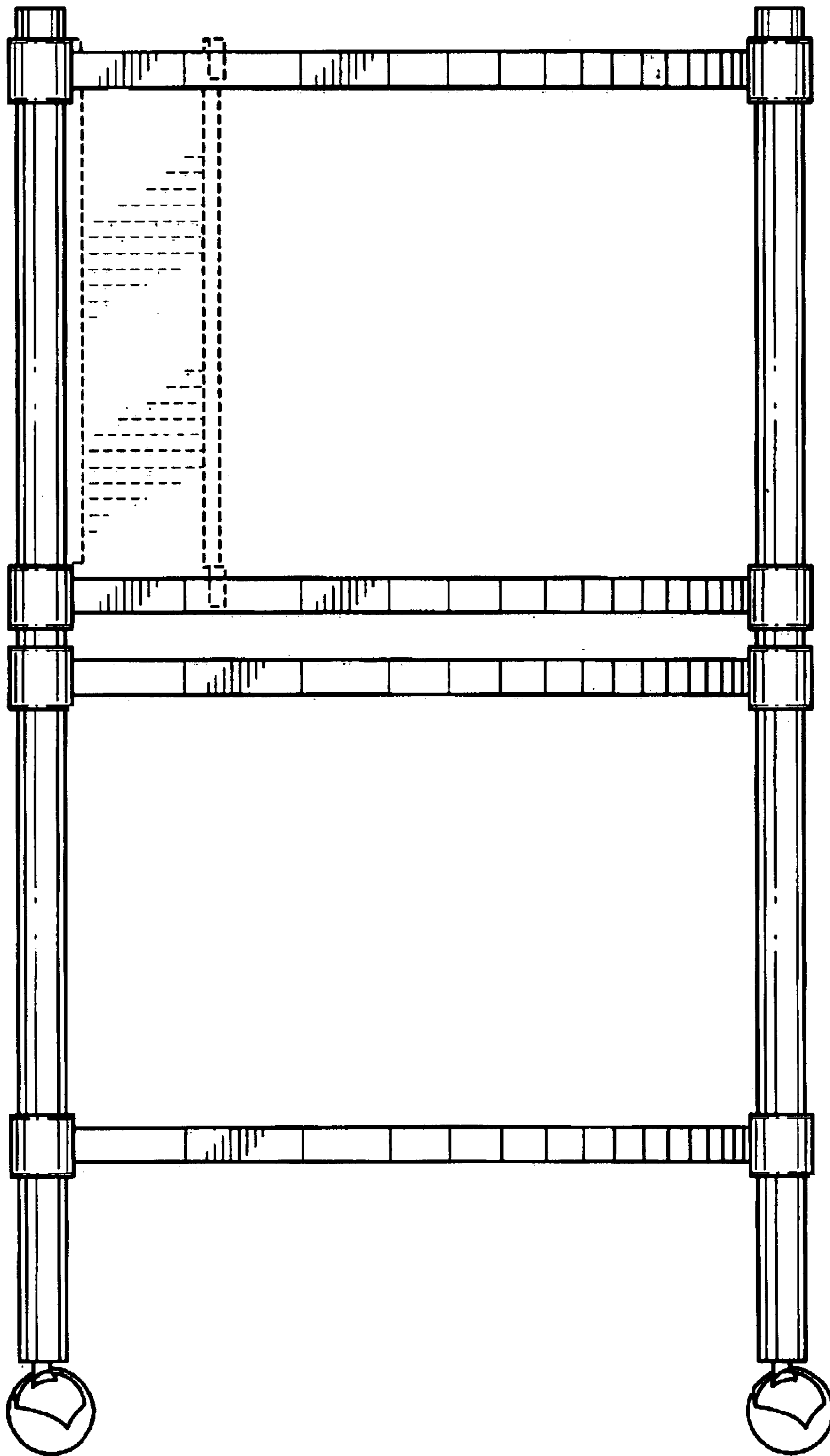


FIG. 2

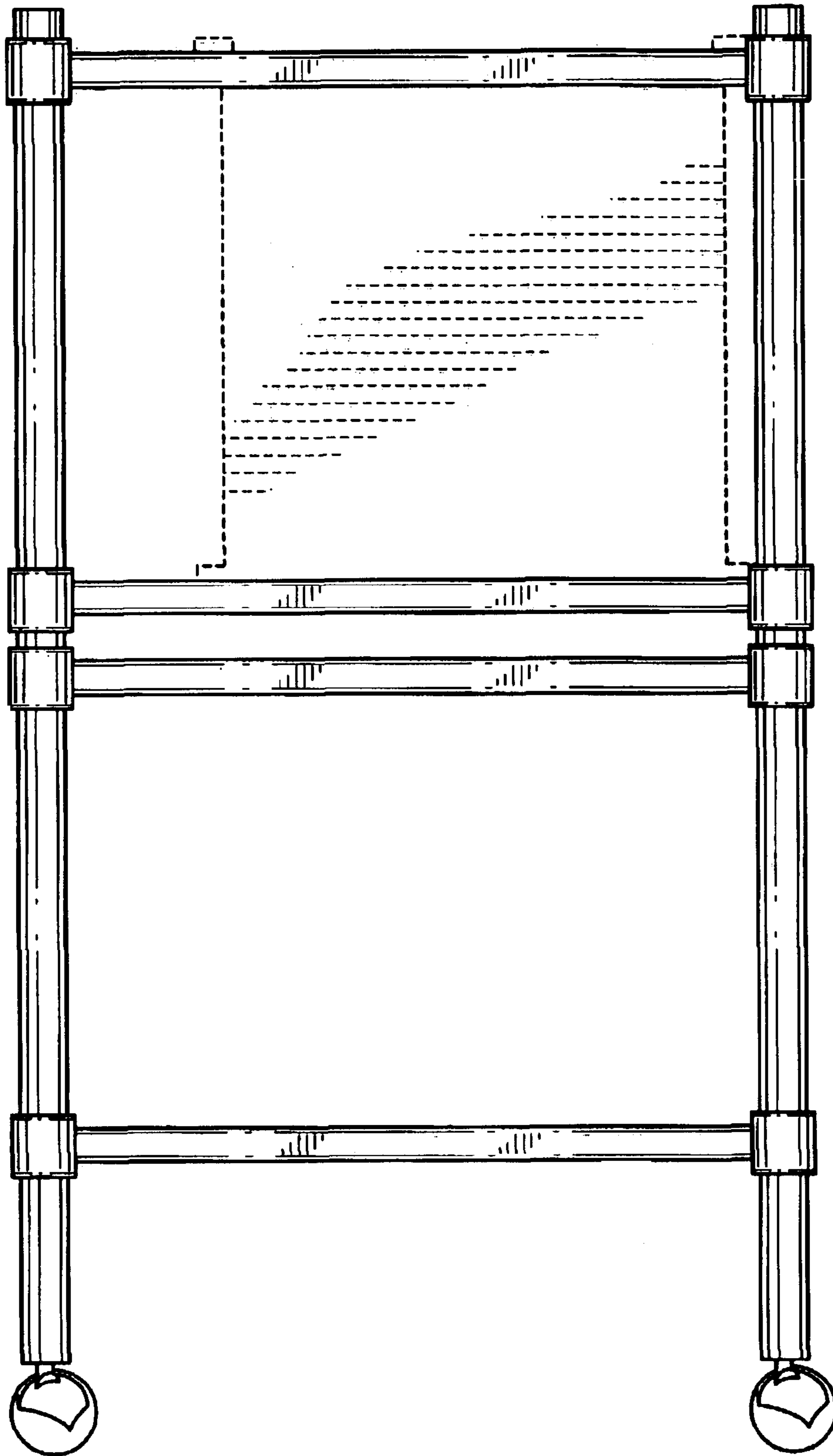


FIG. 3

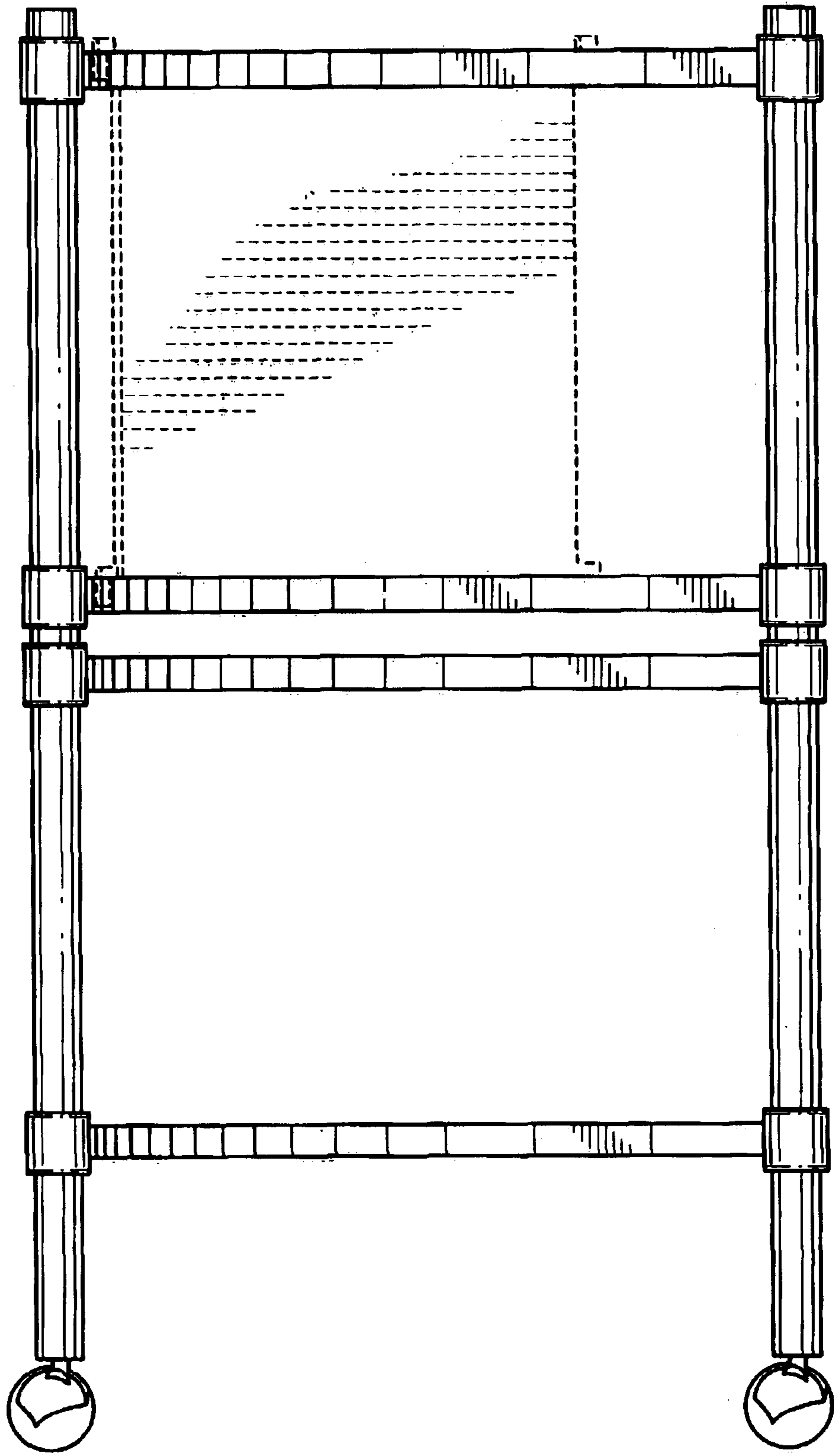


FIG. 4

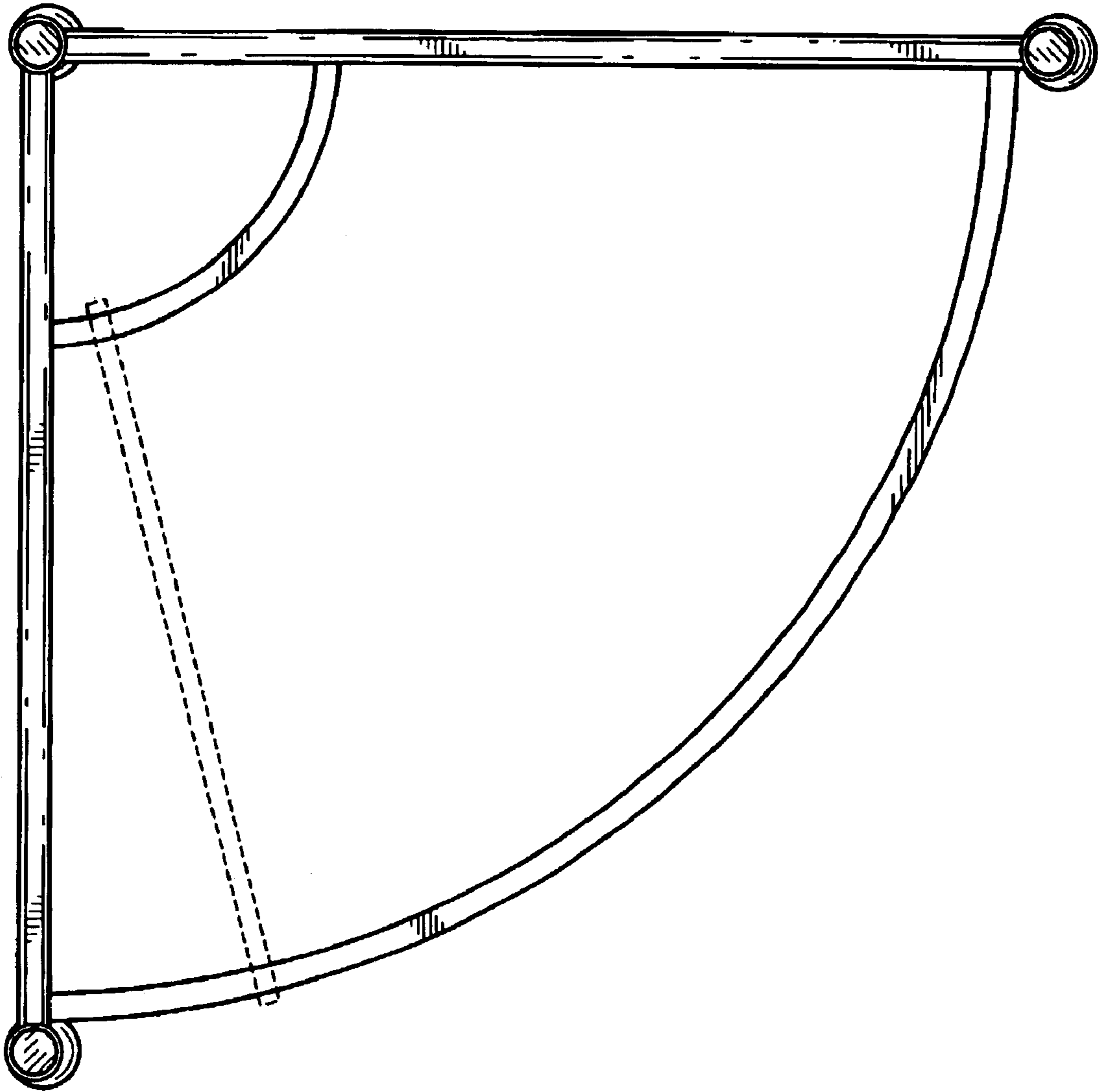


FIG. 5

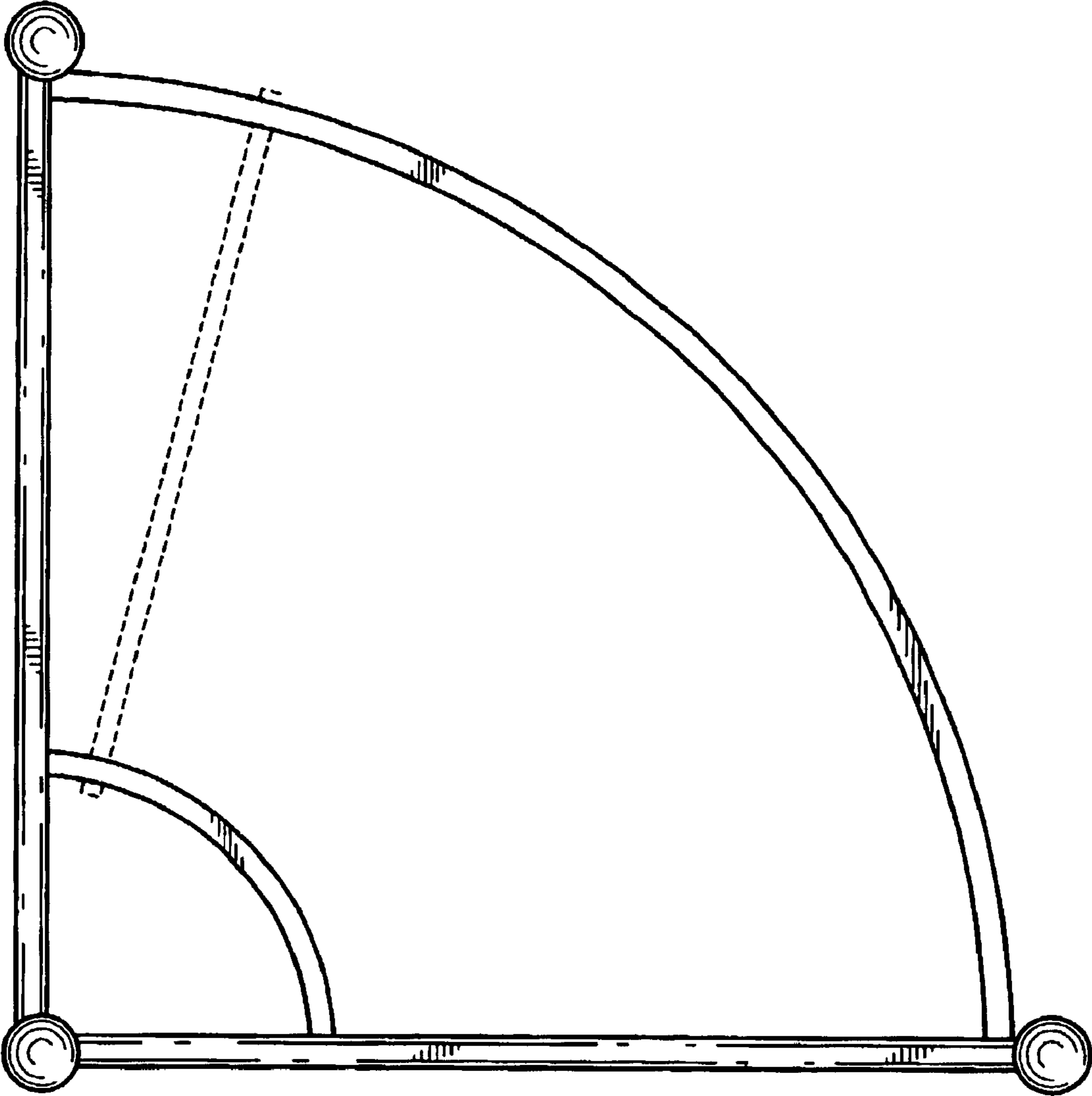


FIG. 6

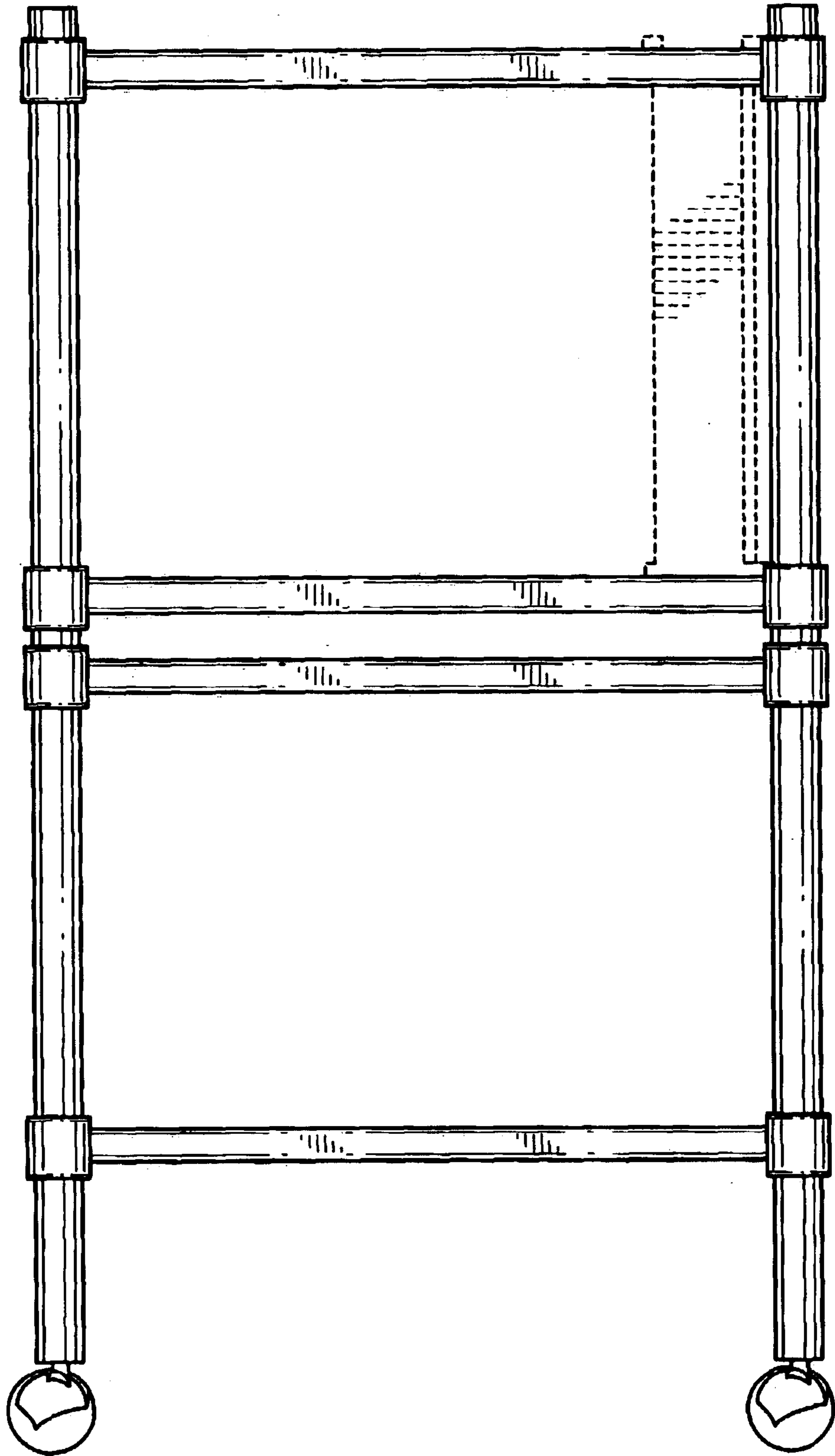


FIG. 7

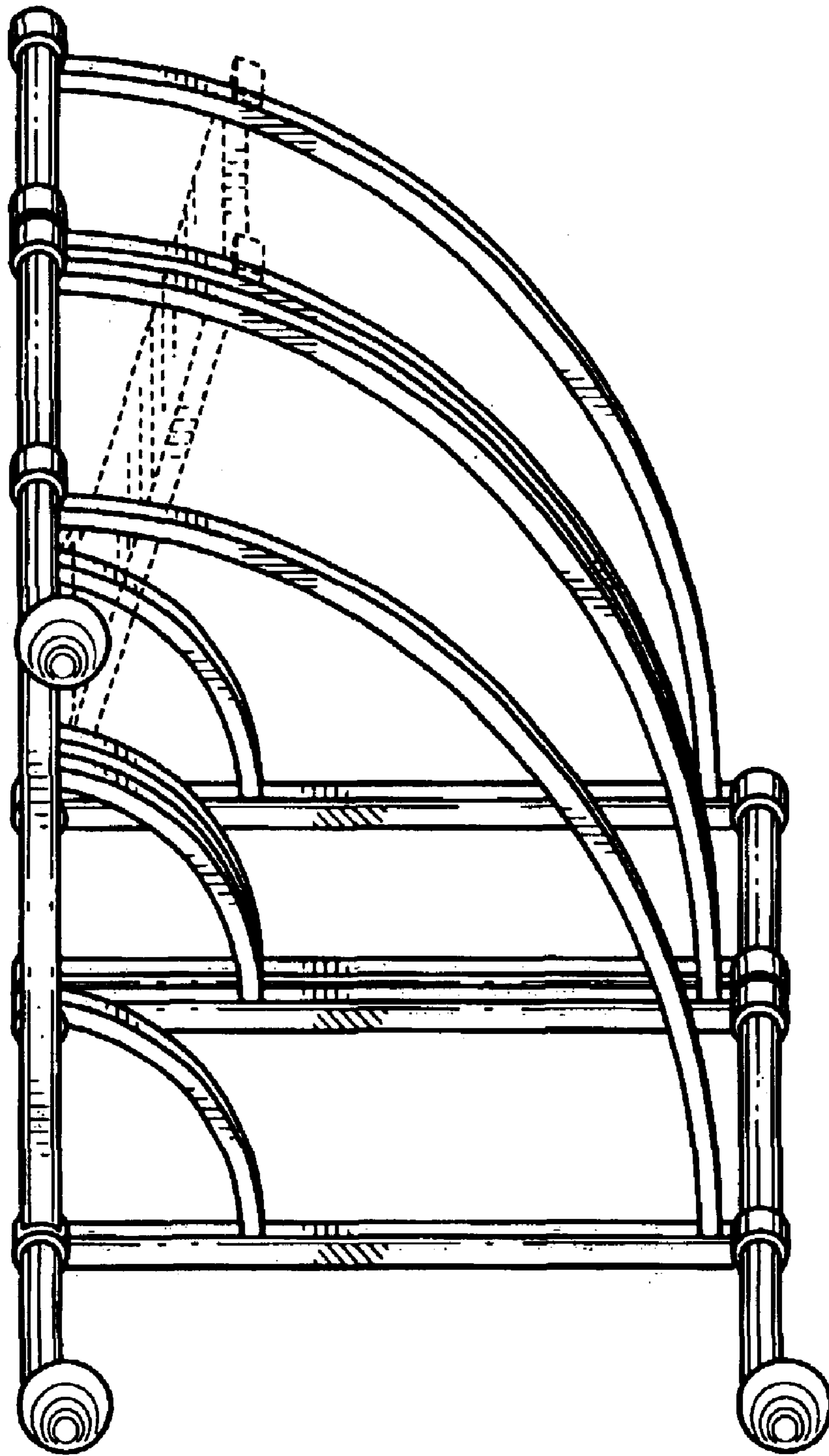


FIG. 8

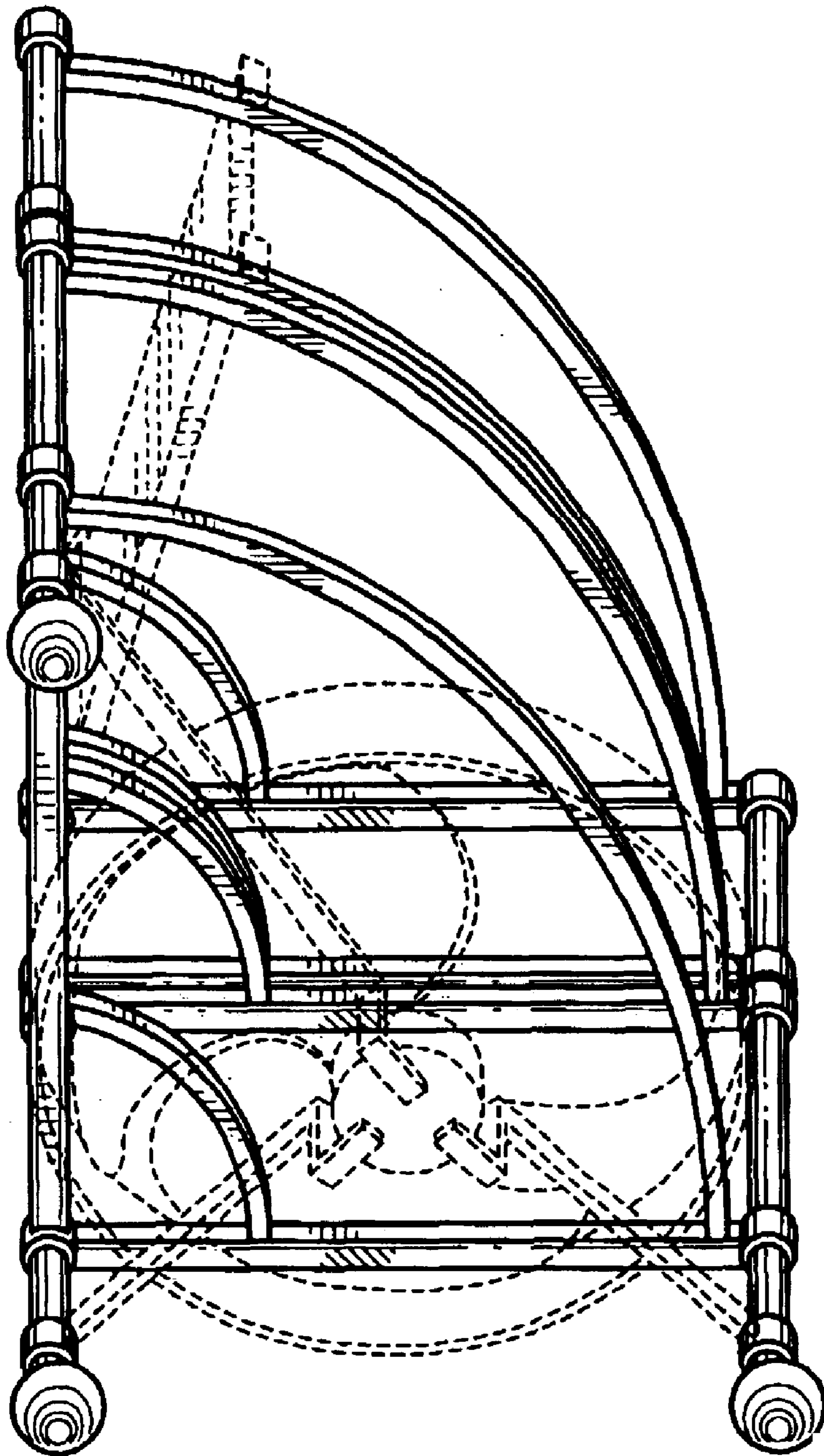


FIG. 9

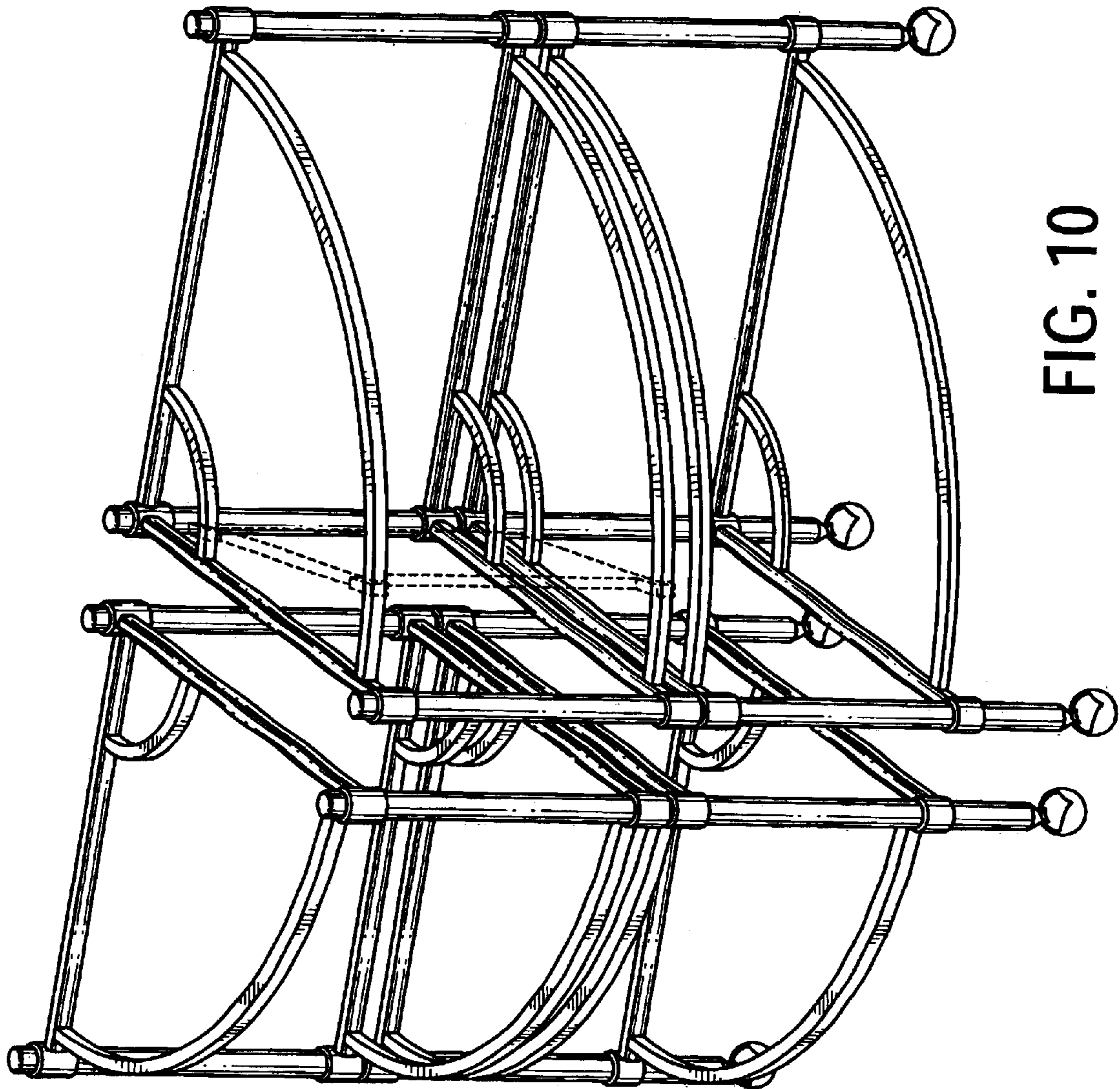


FIG. 10