



US00D522270S

(12) **United States Design Patent**
Roeseler

(10) **Patent No.:** **US D522,270 S**
(45) **Date of Patent:** **** Jun. 6, 2006**

(54) **CHEST OF DRAWERS WITH NORMALLY CONCEALED INTERNAL SHELF**

(75) Inventor: **Eric C. Roeseler**, Wyoming, OH (US)

(73) Assignee: **GRK Manufacturing Co.**, Cincinnati, OH (US)

(**) Term: **14 Years**

(21) Appl. No.: **29/226,450**

(22) Filed: **Mar. 29, 2005**

(51) **LOC (8) Cl.** **06-04**

(52) **U.S. Cl.** **D6/446**

(58) **Field of Classification Search** D6/436,
D6/438, 439, 446; 312/114, 196, 204, 224
See application file for complete search history.

(56) **References Cited**

U.S. PATENT DOCUMENTS

D101,781 S	*	11/1936	Krick	D6/446
D118,944 S	*	2/1940	Krick	D6/439
D216,131 S	*	11/1969	Loewy	D6/436
D278,957 S	*	5/1985	Flototto	D6/432

(Continued)

Primary Examiner—Cathron C. Brooks

(74) *Attorney, Agent, or Firm*—Woods, Herron & Evans, L.L.P.

(57) **CLAIM**

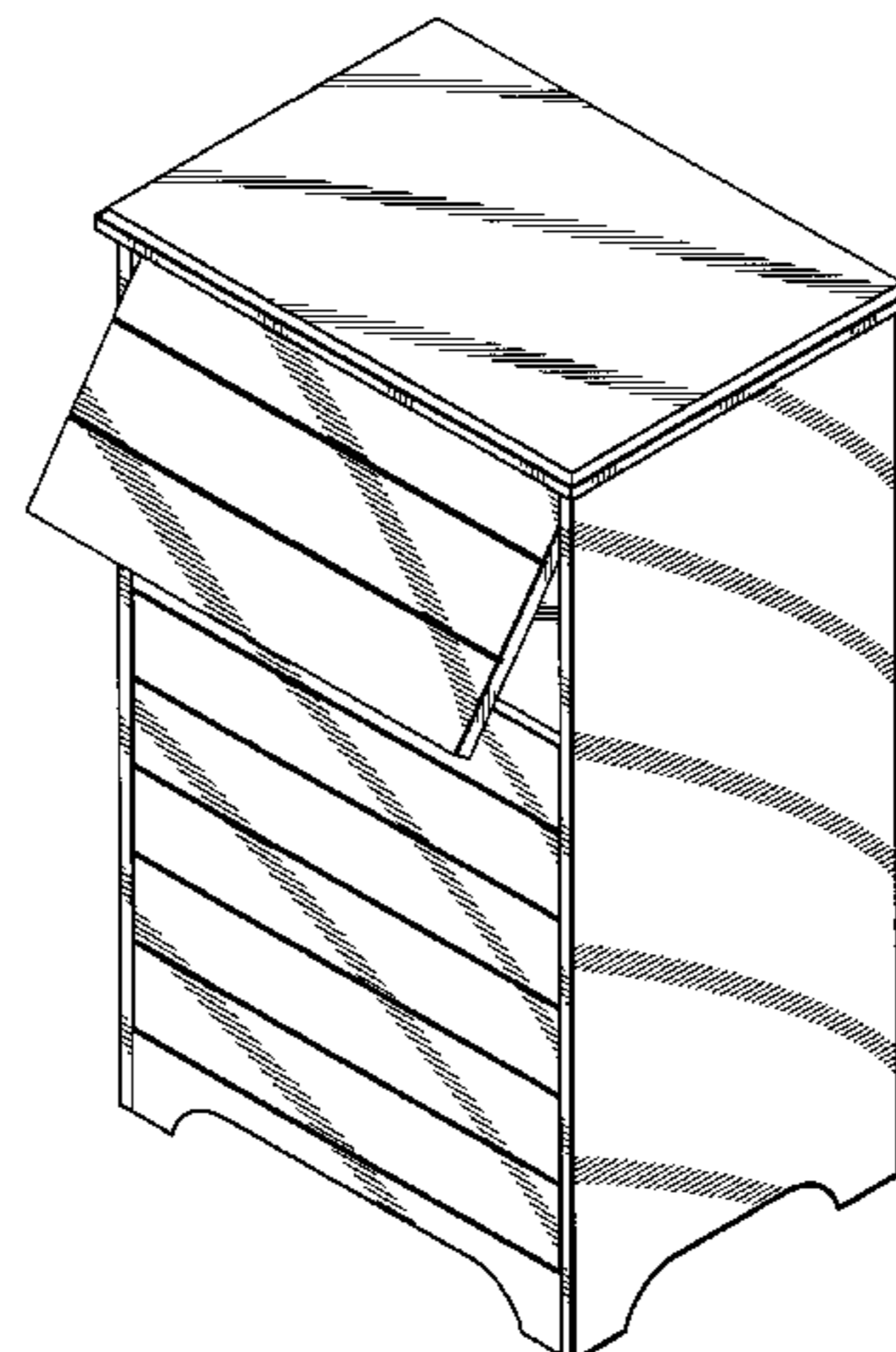
The ornamental design for a chest of drawers with normally concealed internal shelf, as shown and described.

DESCRIPTION

FIG. 1 is a perspective view of the front, right side and top of my new design for a chest of drawers with normally concealed internal shelf depicting the shelf concealed;
FIG. 2 is a front elevational view thereof;
FIG. 3 is a right-side elevational view thereof;
FIG. 4 is a rear elevational view thereof;
FIG. 5 is a left-side elevational view thereof;

FIG. 6 is a top plan view thereof;
FIG. 7 is a bottom plan view thereof;
FIG. 8 is a perspective view thereof similar to FIG. 1, but depicting the front cover of the normally concealed internal shelf pivoted to a partially open position.
FIG. 9 is a front elevational view thereof, depicting the front cover in the partially open position;
FIG. 10 is a right-side elevational view thereof, depicting the front cover in the partially open position;
FIG. 11 is a rear elevational view thereof, depicting the front cover in the partially open position;
FIG. 12 is a left-side elevational view thereof, depicting the front cover in the partially open position;
FIG. 13 is a top elevational view thereof, depicting the front cover in the partially open position;
FIG. 14 is a bottom elevational view thereof, depicting the front cover in the partially open position;
FIG. 15 is a perspective view thereof, similar to FIGS. 1–8, but depicting the front cover of the normally concealed internal shelf horizontally disposed totally inside the chest of drawers spaced substantially above the internal shelf and slightly below the tip of the chest of drawers, the front cover having been pivoted upwardly 90° from its normal vertical position and slid rearwardly to the position shown in FIG. 15;
FIG. 16 is a front elevational view thereof, depicting the front cover horizontally disposed totally inside the chest of drawers;
FIG. 17 is a right-side elevational view thereof, depicting the front cover horizontally disposed totally inside the chest of drawers;
FIG. 18 is a rear elevational view thereof, depicting the front cover horizontally disposed totally inside the chest of drawers;
FIG. 19 is a left-side elevational view thereof, depicting the front cover horizontally disposed totally inside the chest of drawers;
FIG. 20 is a top plan view thereof, depicting the front cover horizontally disposed totally inside the chest of drawers; and,
FIG. 21 is a bottom plan view thereof, depicting the front cover horizontally disposed totally inside the chest of drawers.

1 Claim, 10 Drawing Sheets



US D522,270 S

Page 2

U.S. PATENT DOCUMENTS

D283,769 S	*	5/1986	Cohn	D6/446	D451,698 S	*	12/2001	Cain	D6/436
D347,748 S	*	6/1994	Korch et al.	D6/436	D473,401 S	*	4/2003	de Blois	D6/446
D364,051 S	*	11/1995	Berry et al.	D6/436	D501,736 S	*	2/2005	Kirkpatrick	D6/446
D424,833 S	*	5/2000	Zaidman	D6/446	D503,564 S	*	4/2005	Juneau et al.	D6/446
D445,595 S	*	7/2001	Roupe	D6/446	D508,796 S	*	8/2005	Juneau	D6/446

* cited by examiner

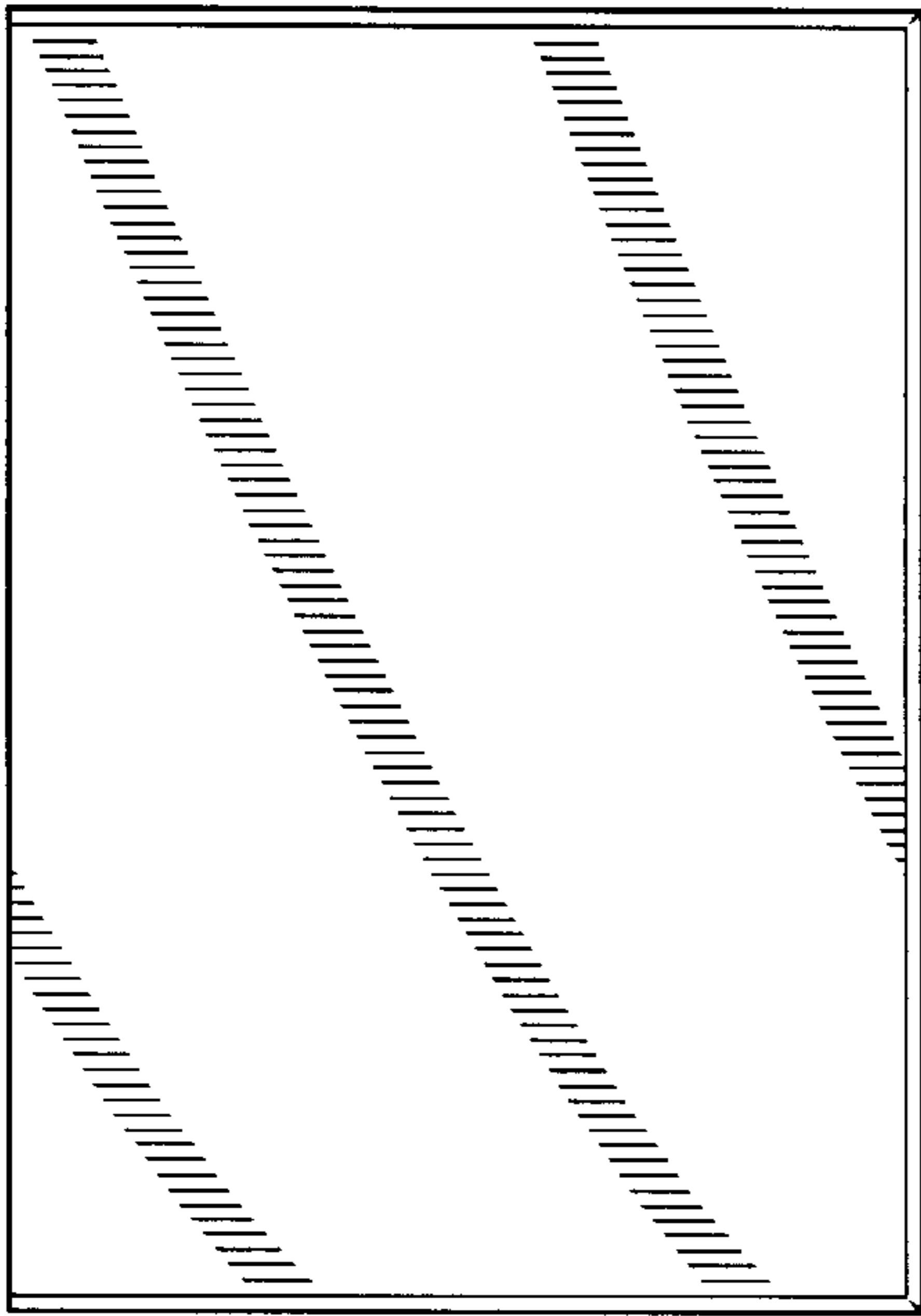


FIG. 6

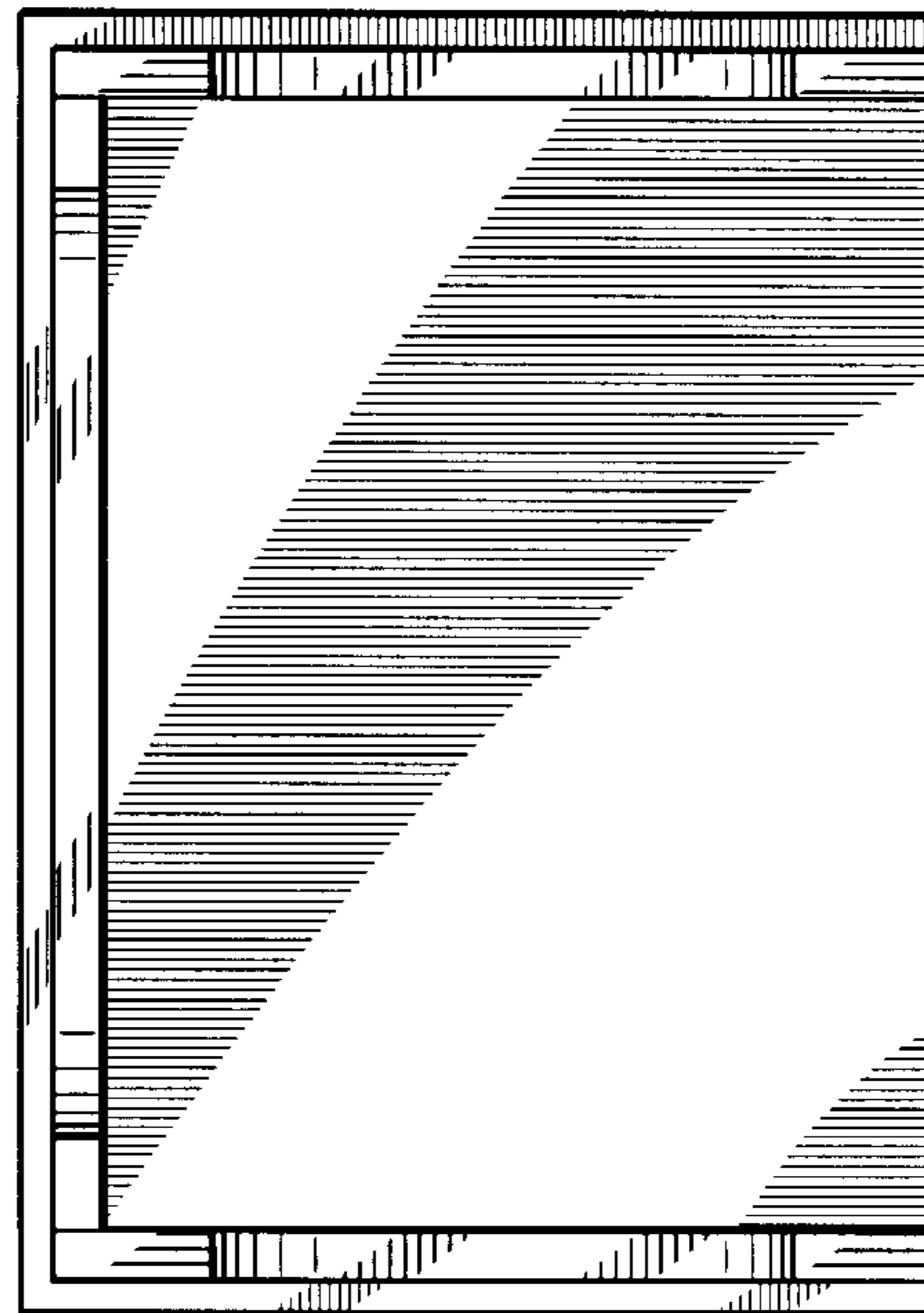


FIG. 7

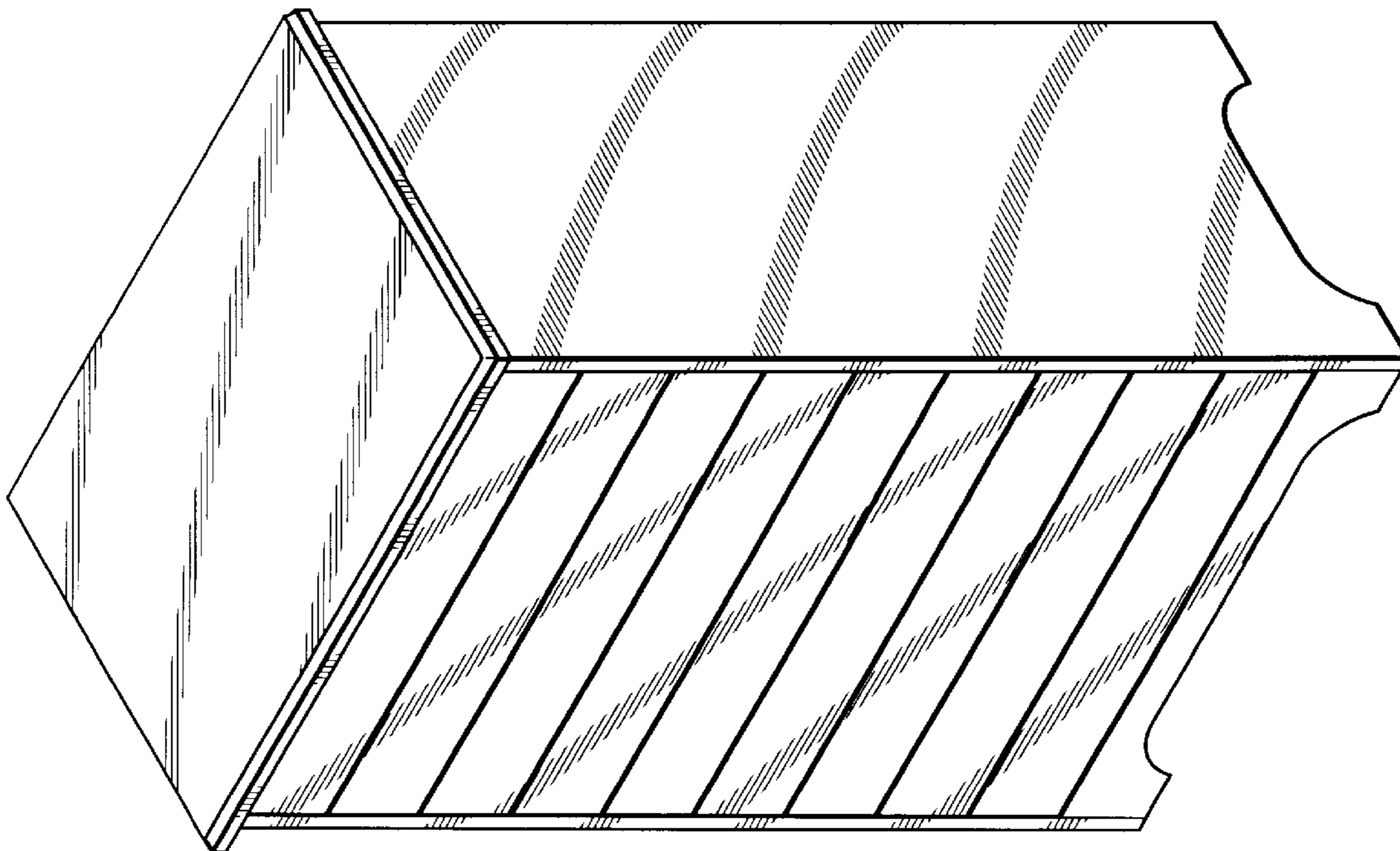


FIG. 1

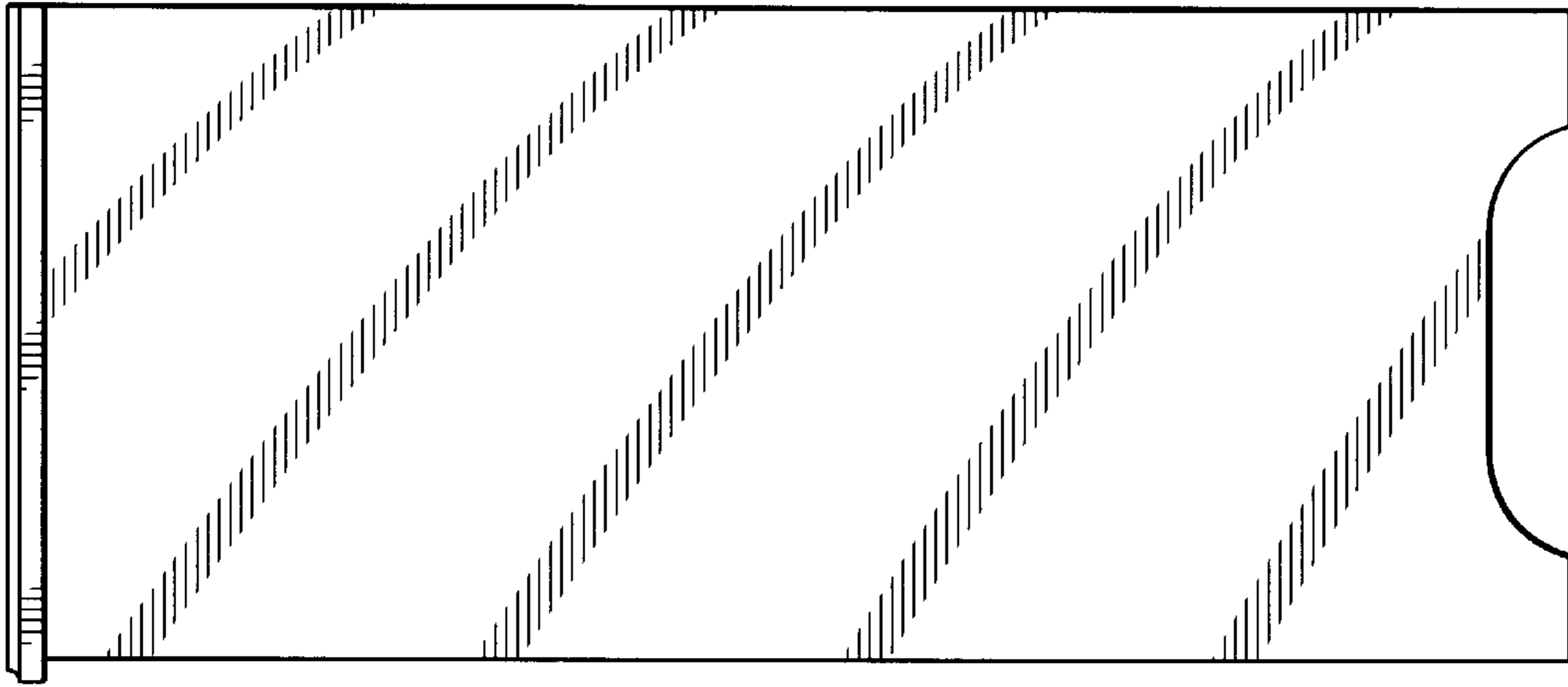


FIG. 3

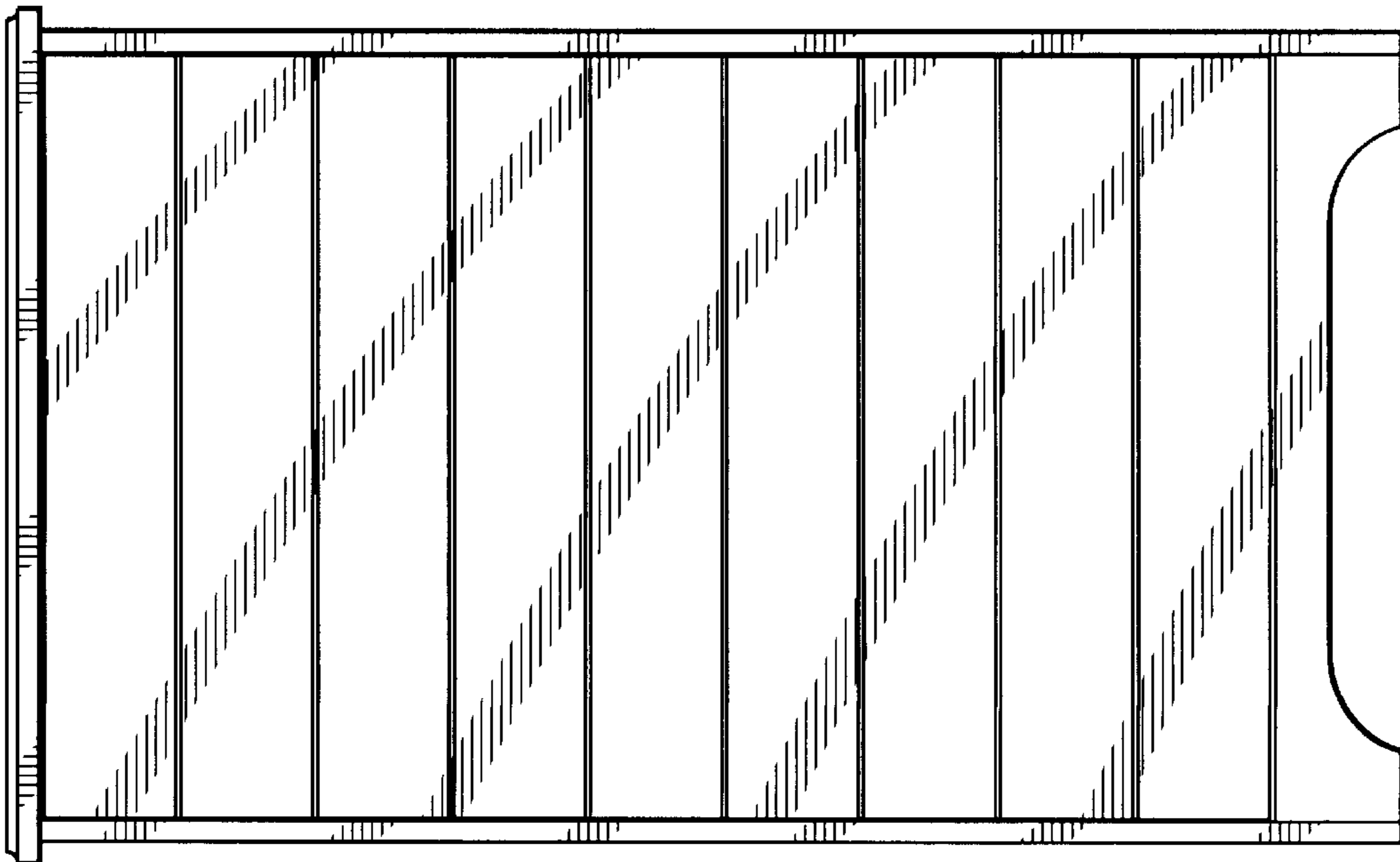


FIG. 2

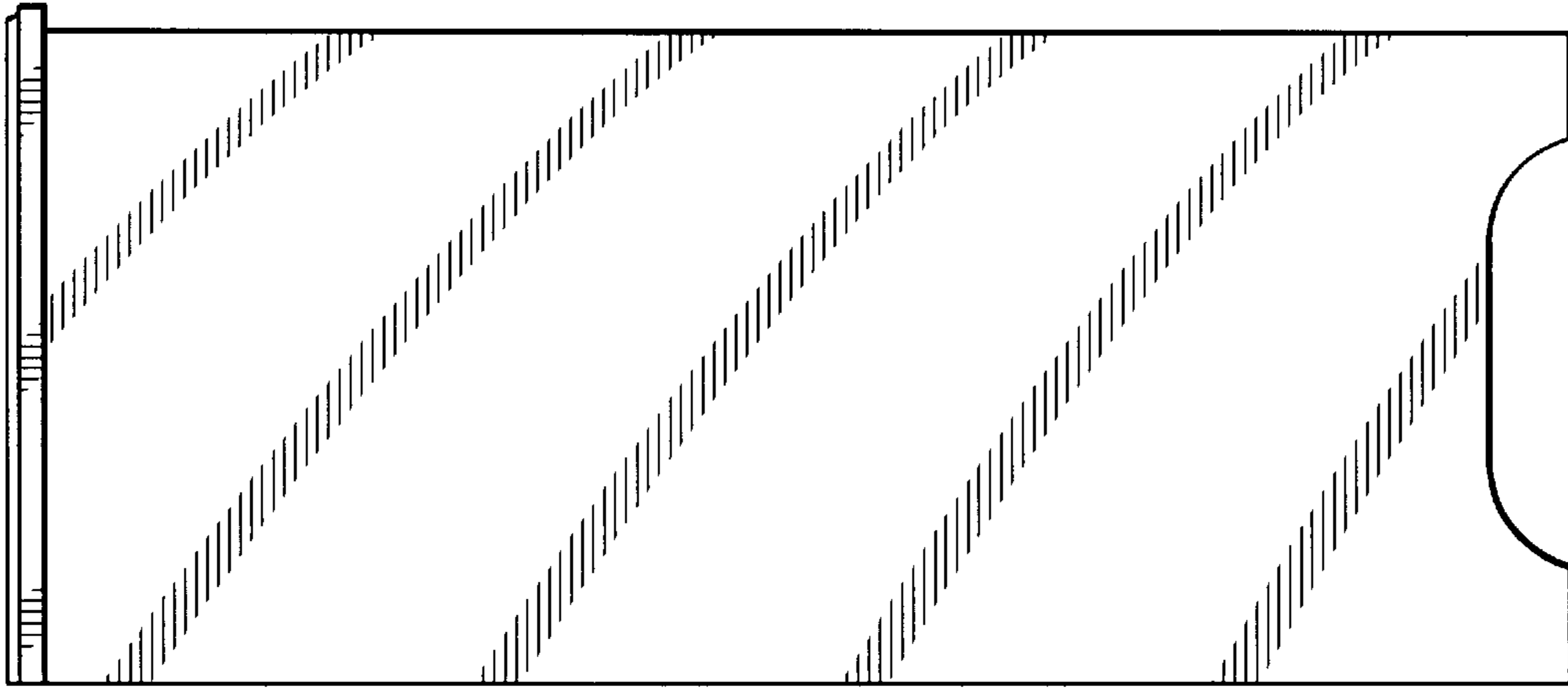


FIG. 5

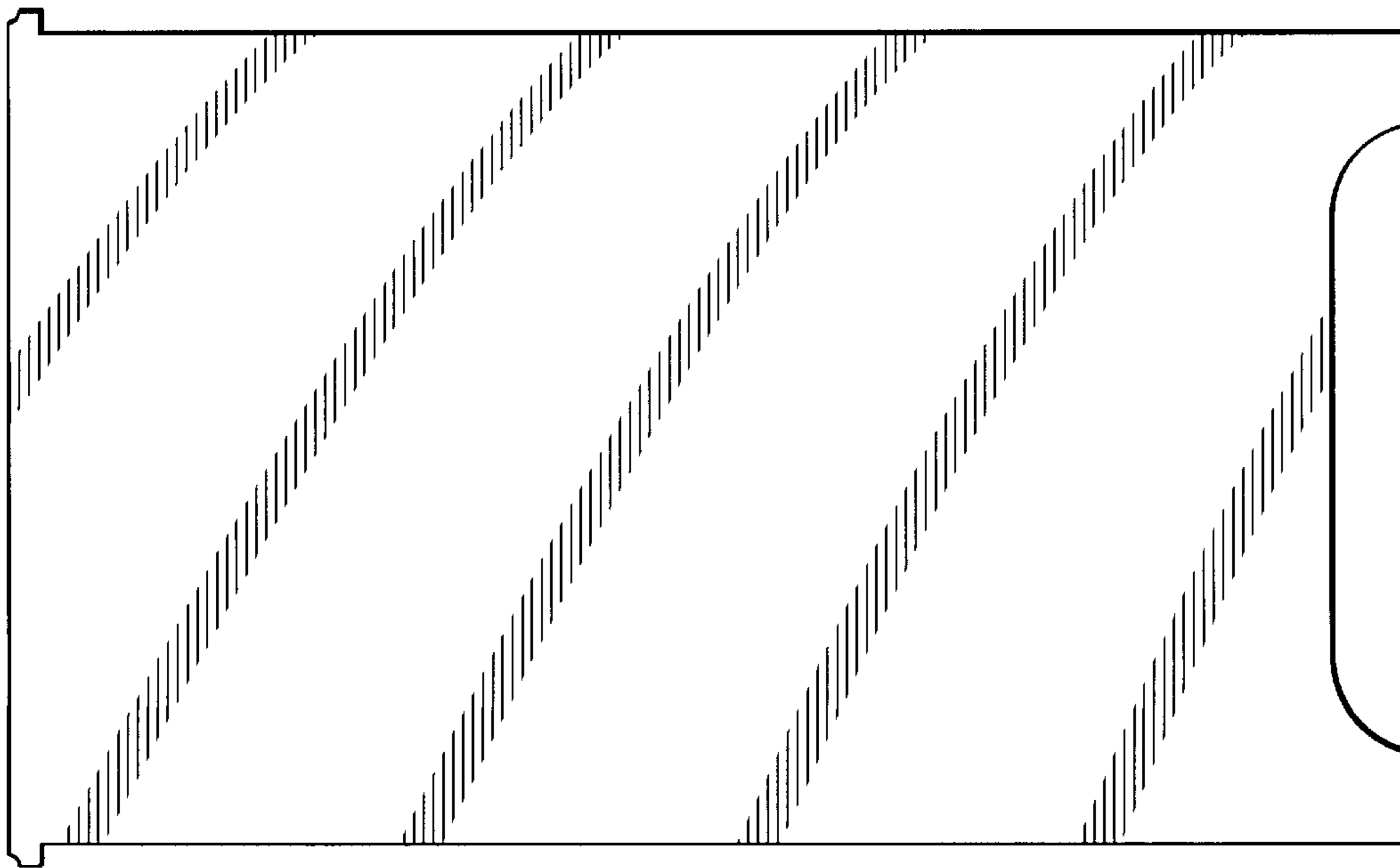


FIG. 4

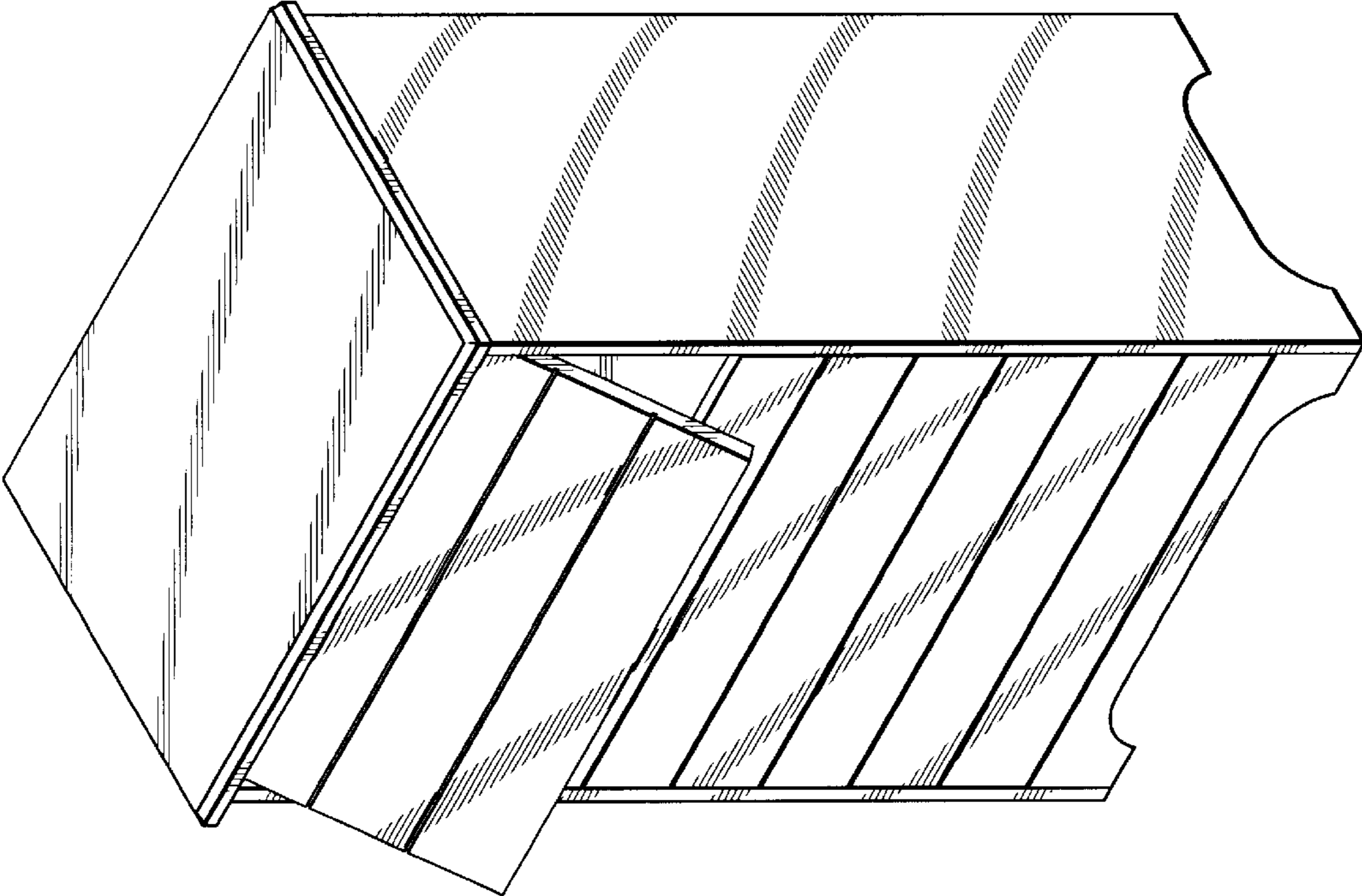


FIG. 8

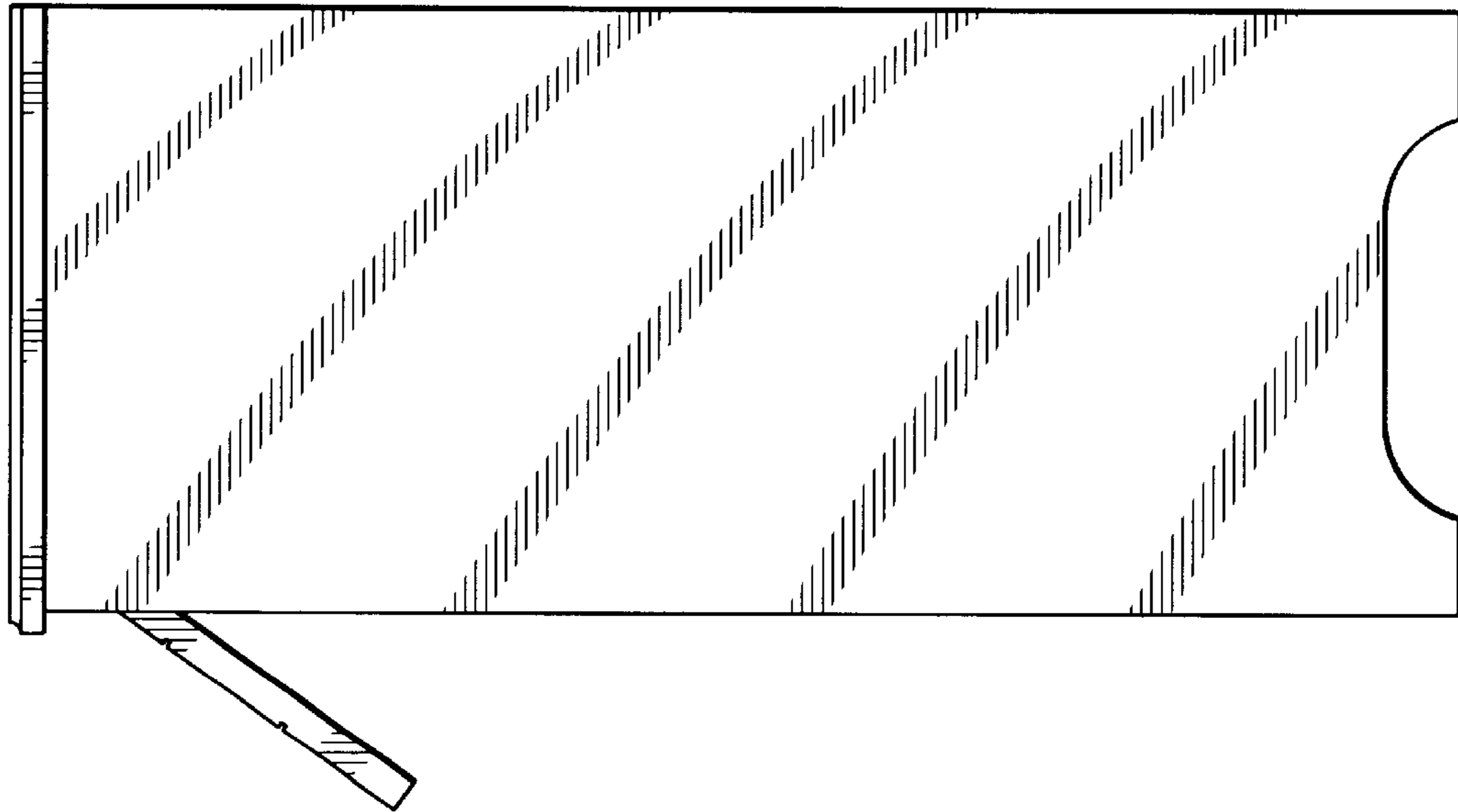


FIG. 10

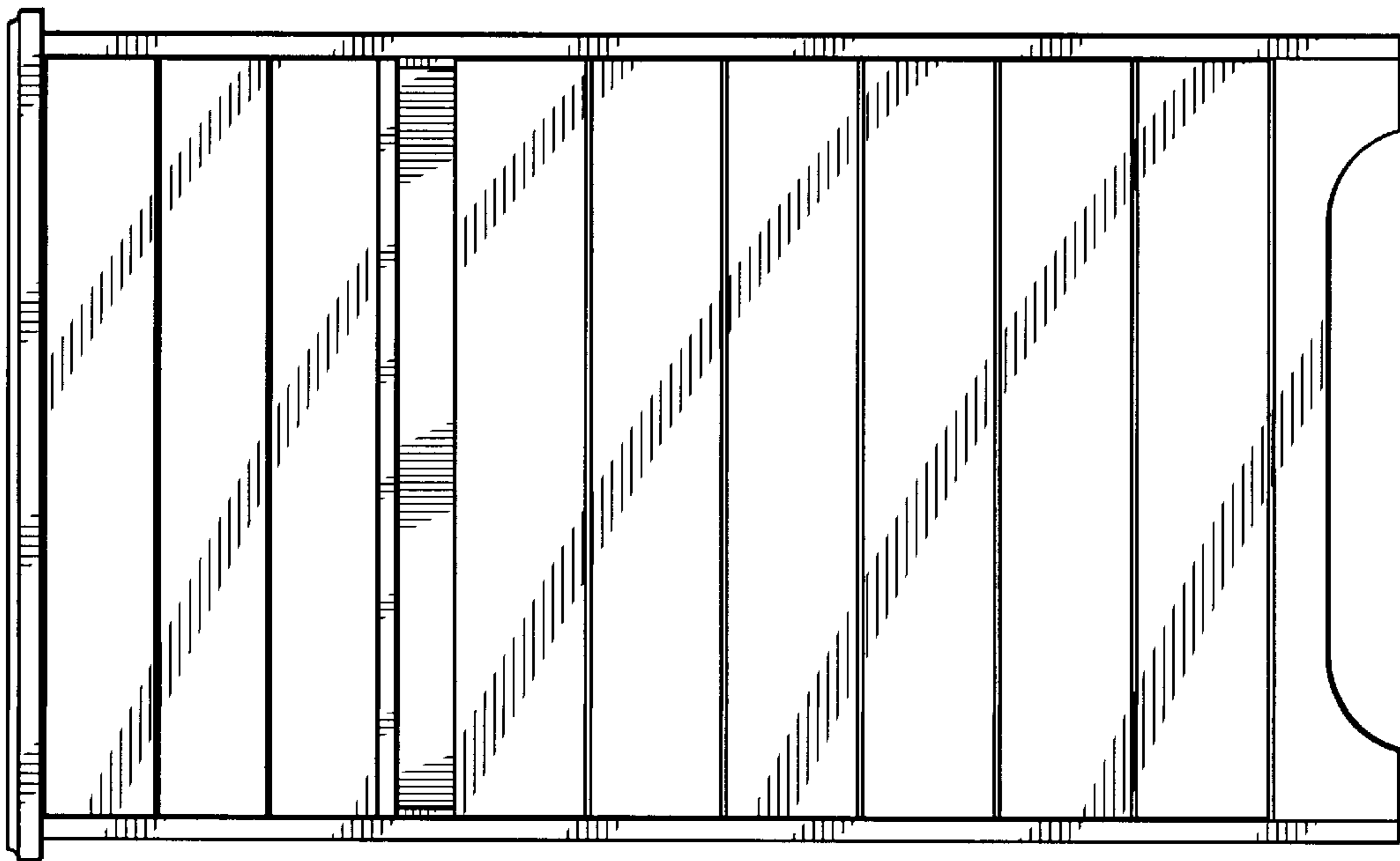


FIG. 9

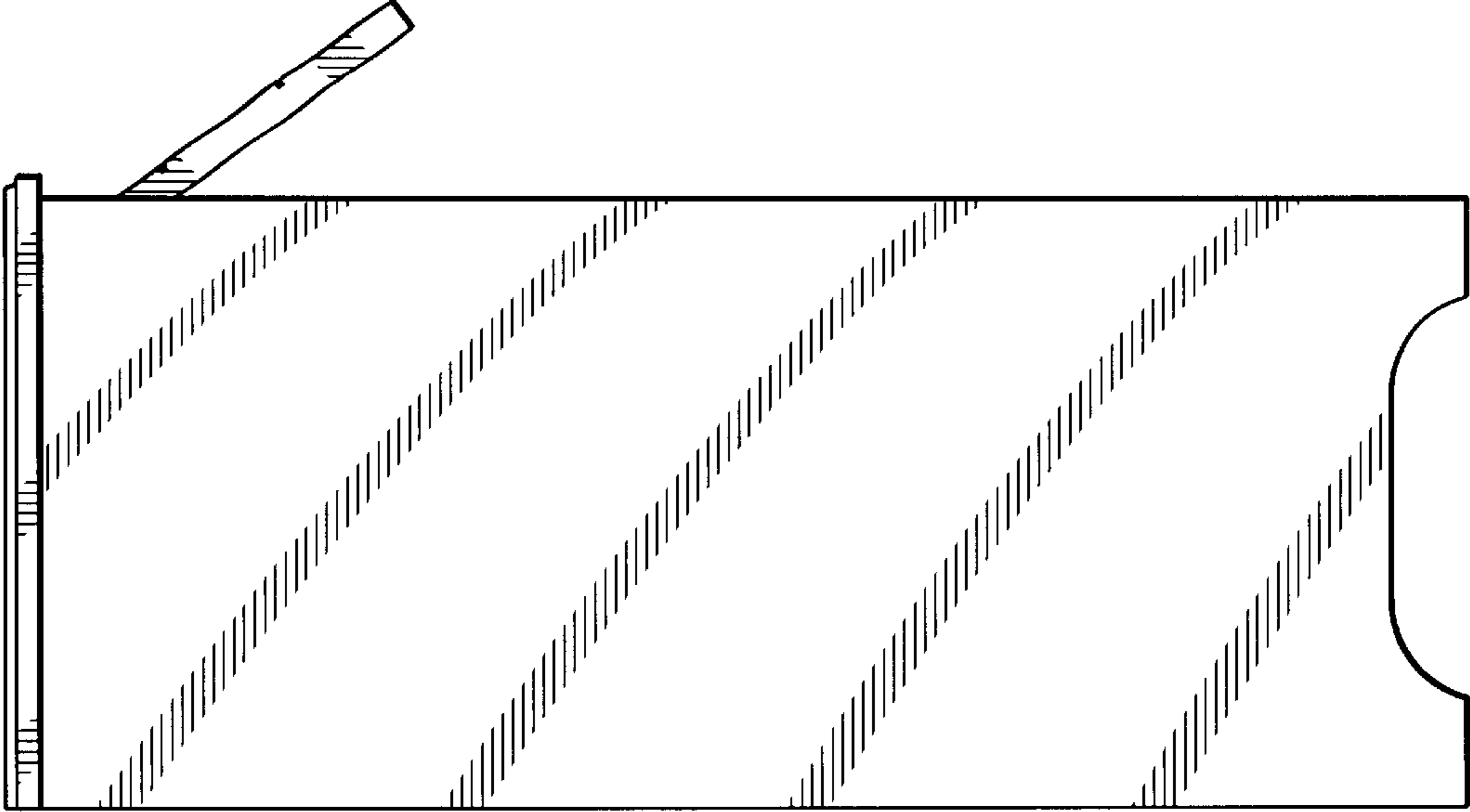


FIG. 12

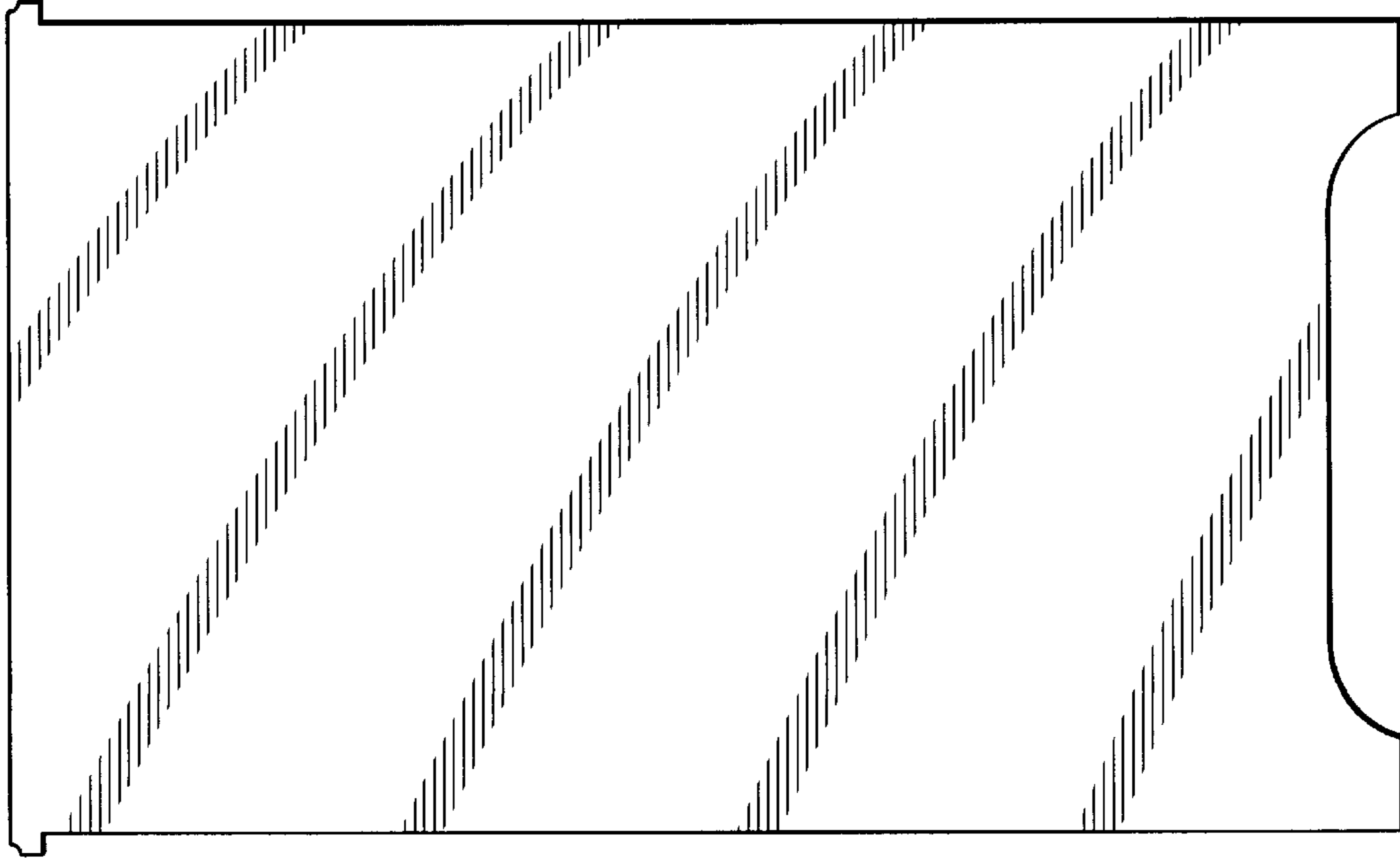


FIG. 11

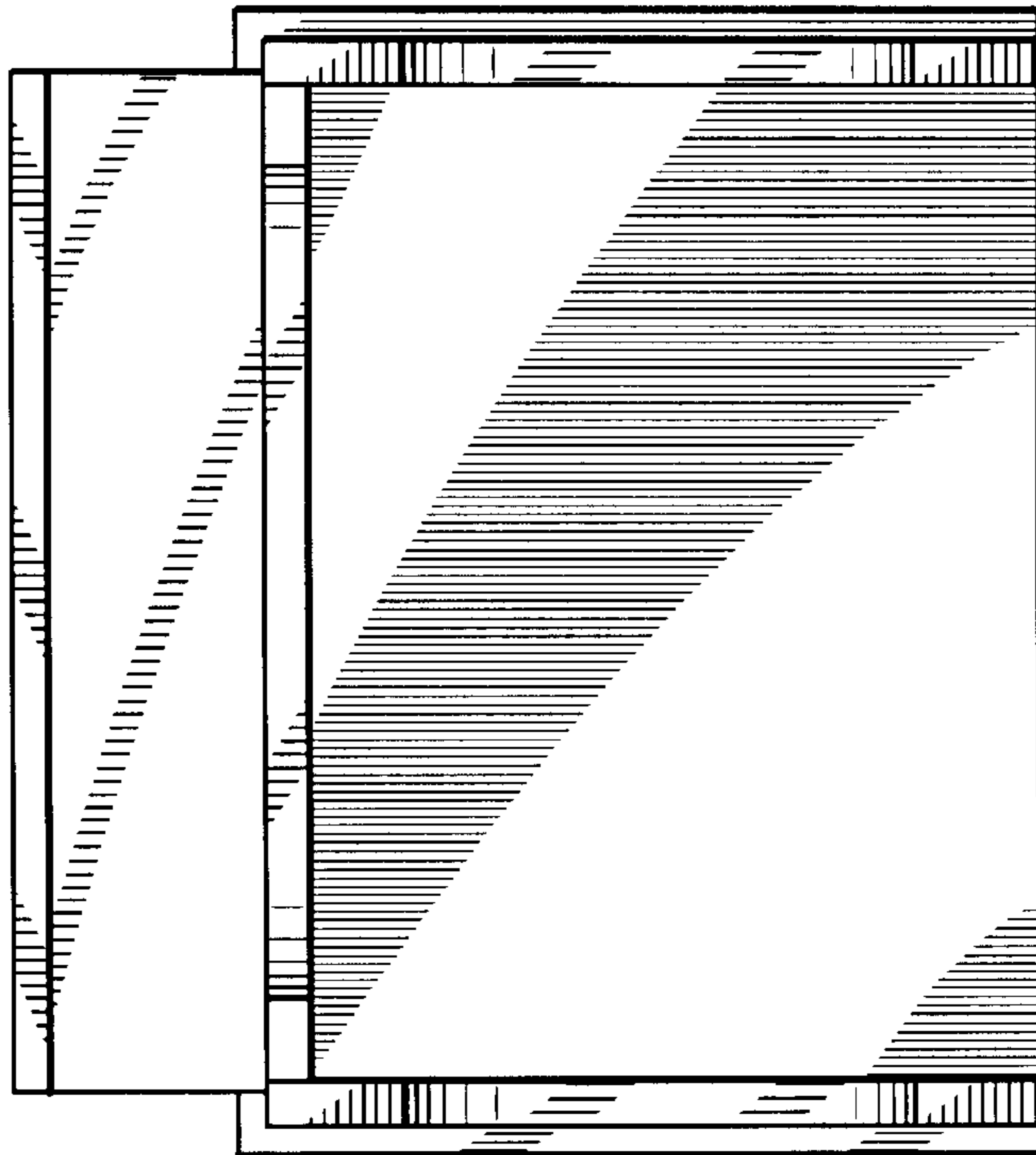


FIG. 14

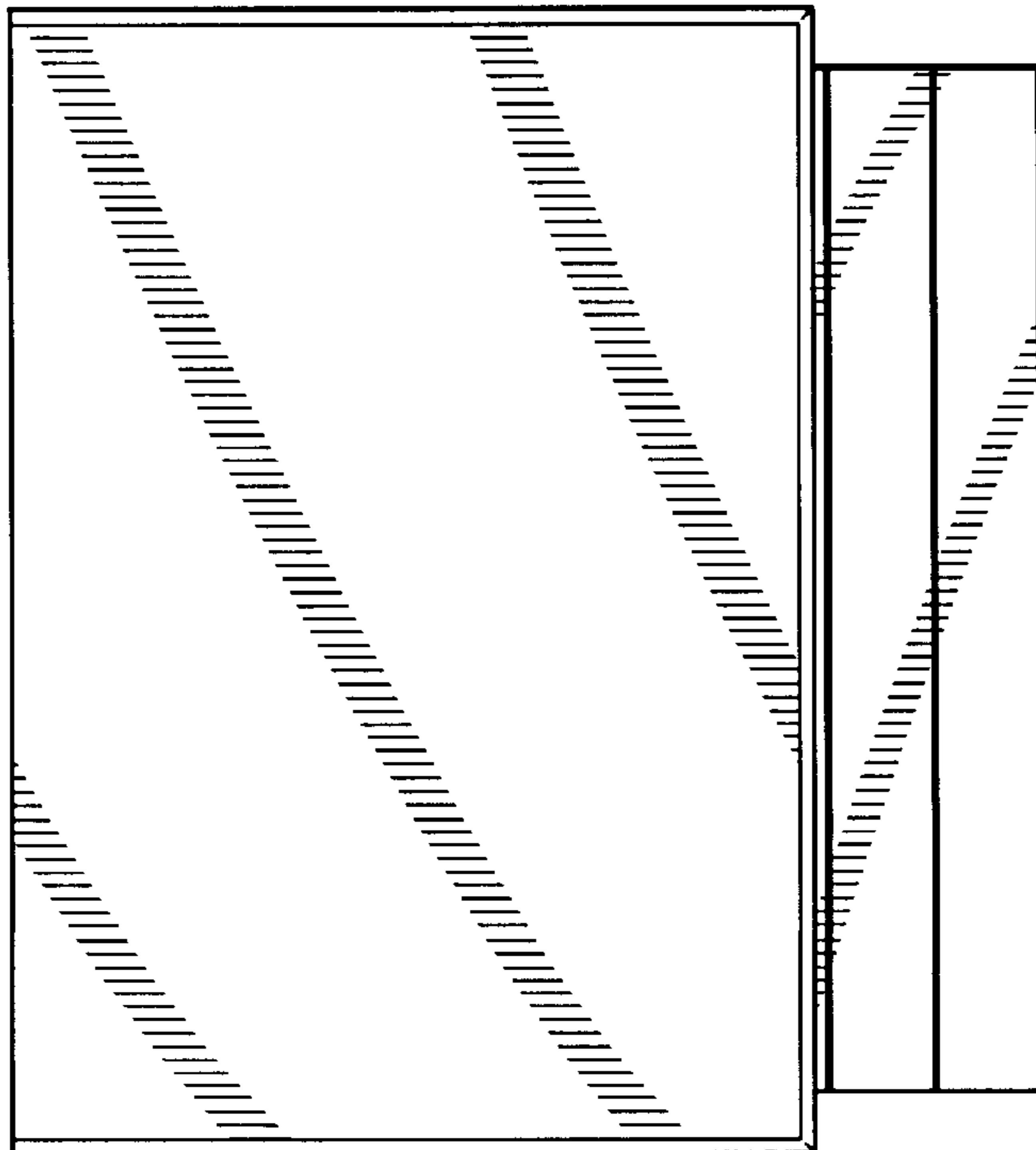


FIG. 13

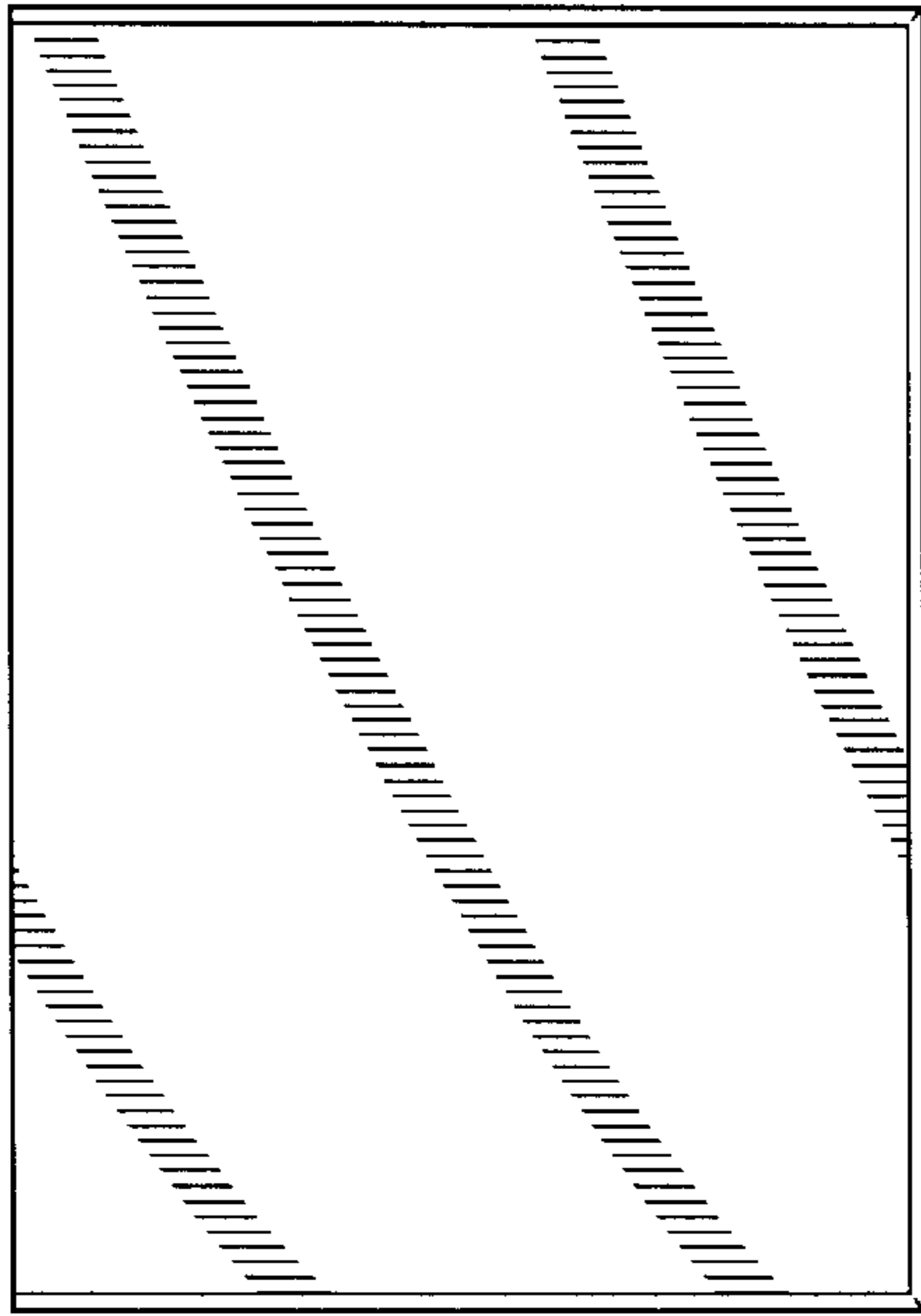


FIG. 20

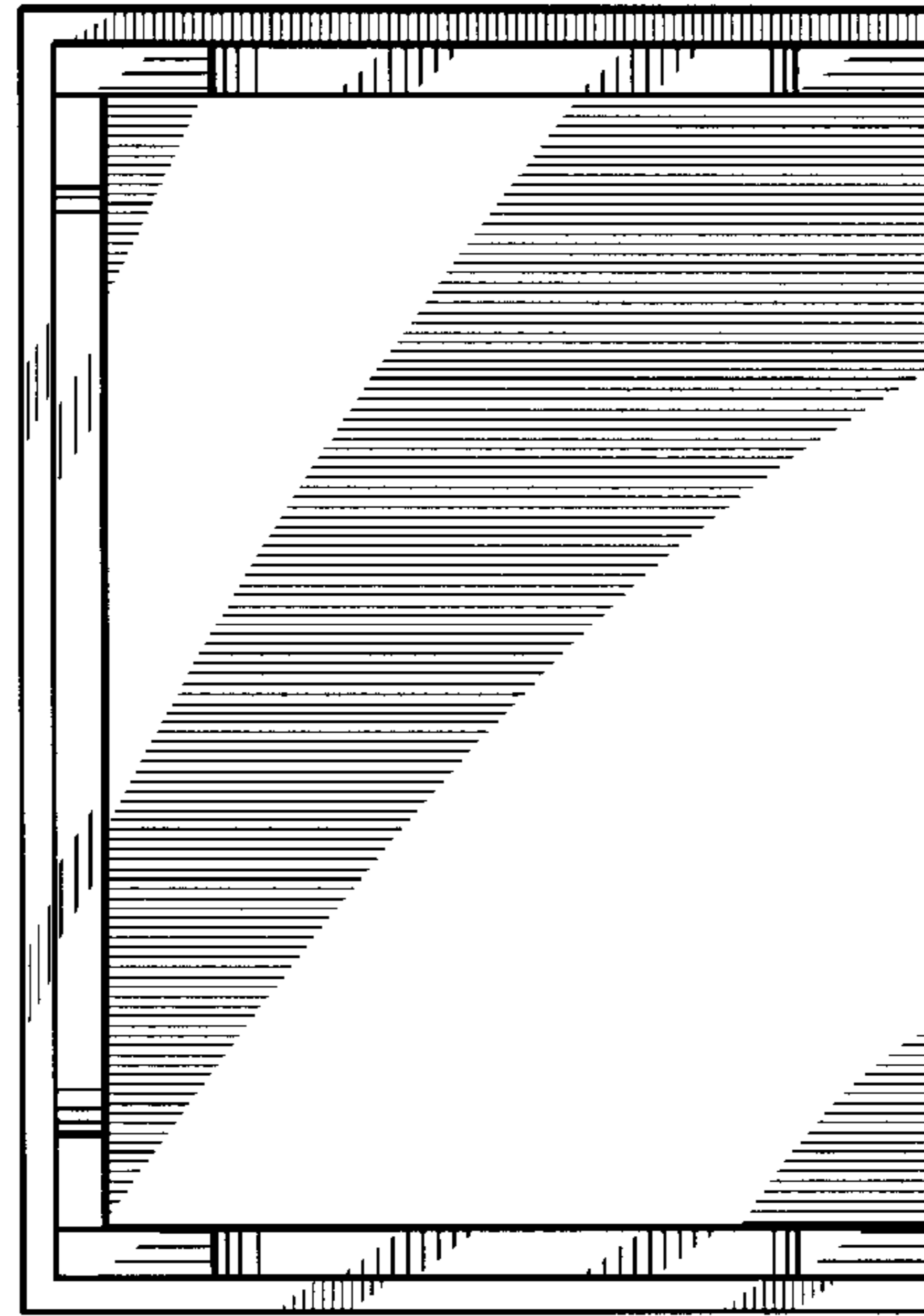


FIG. 21

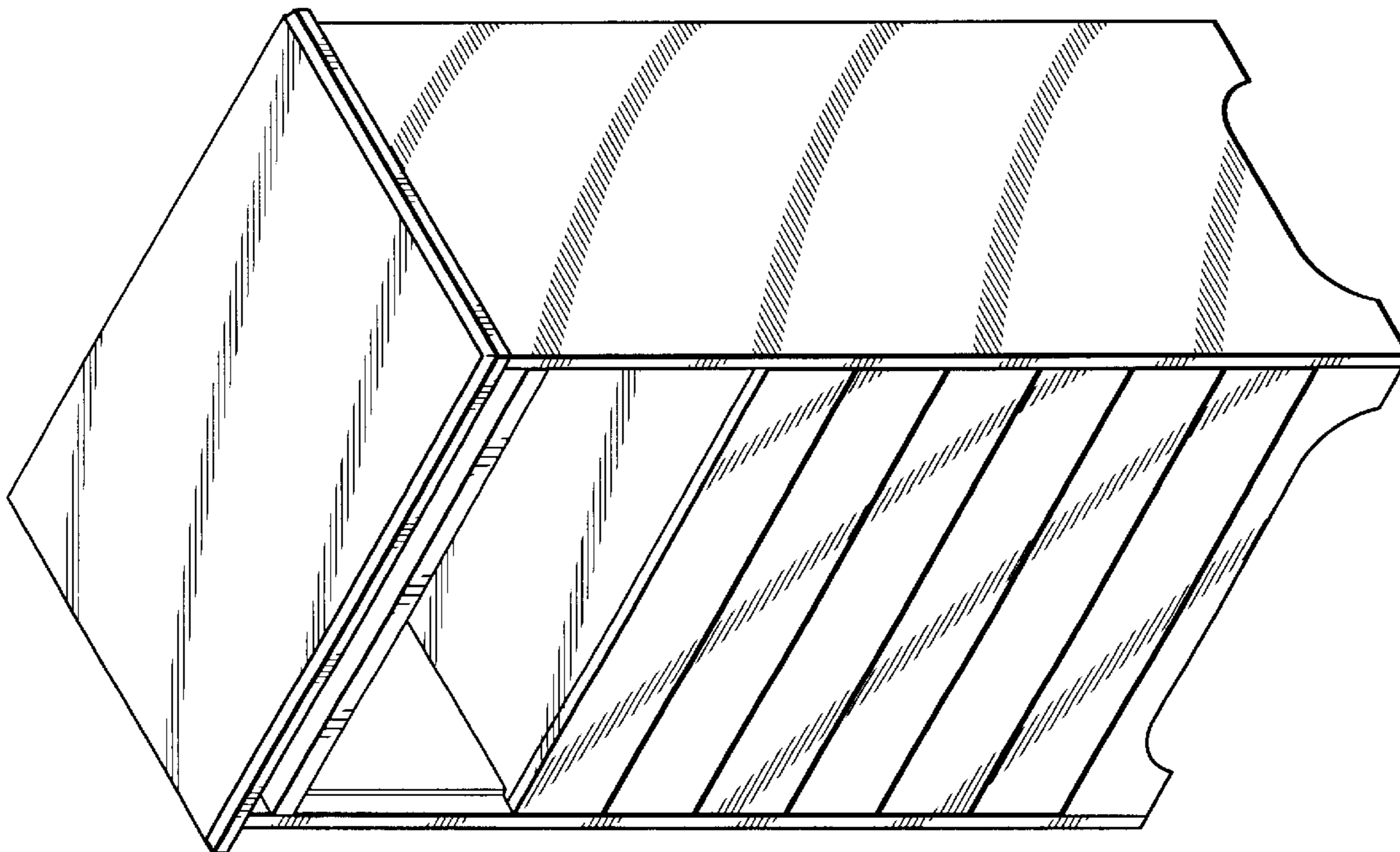


FIG. 15

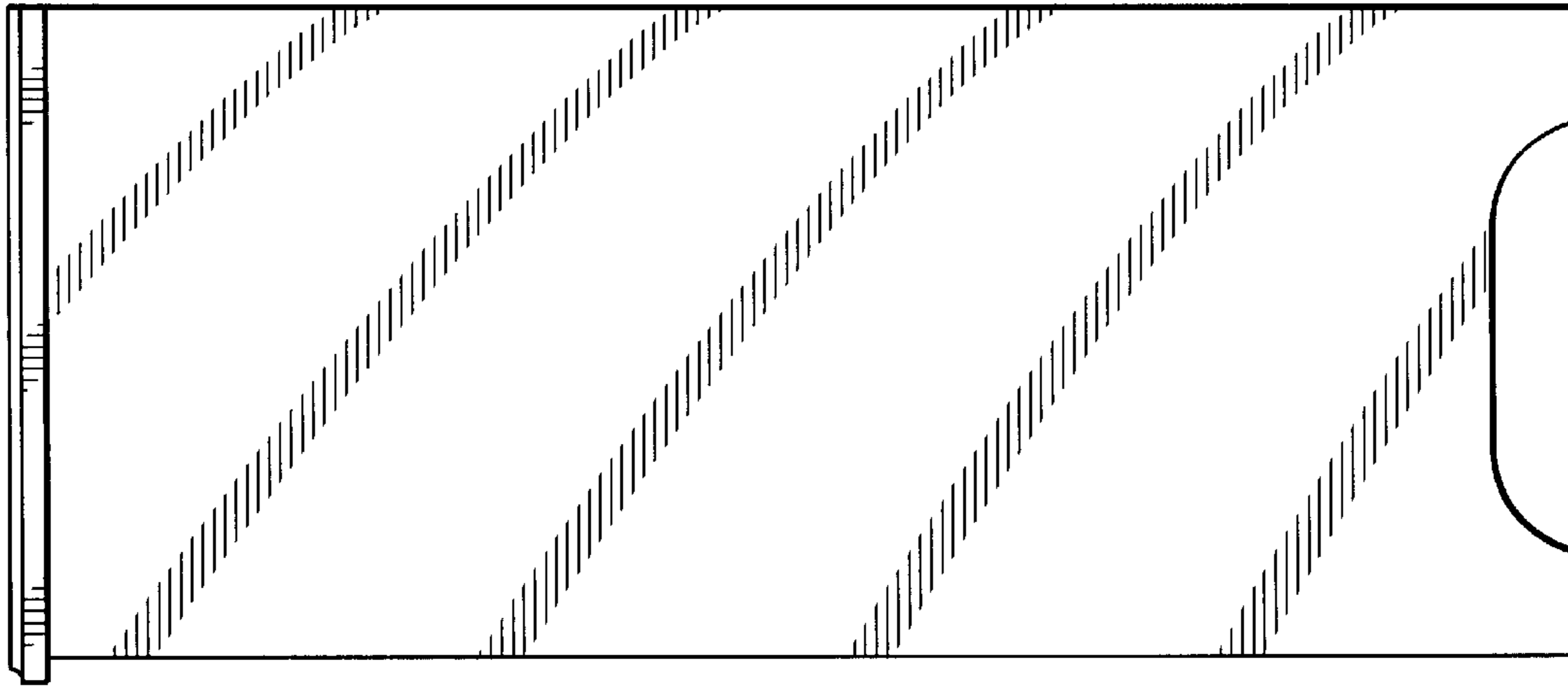


FIG. 17

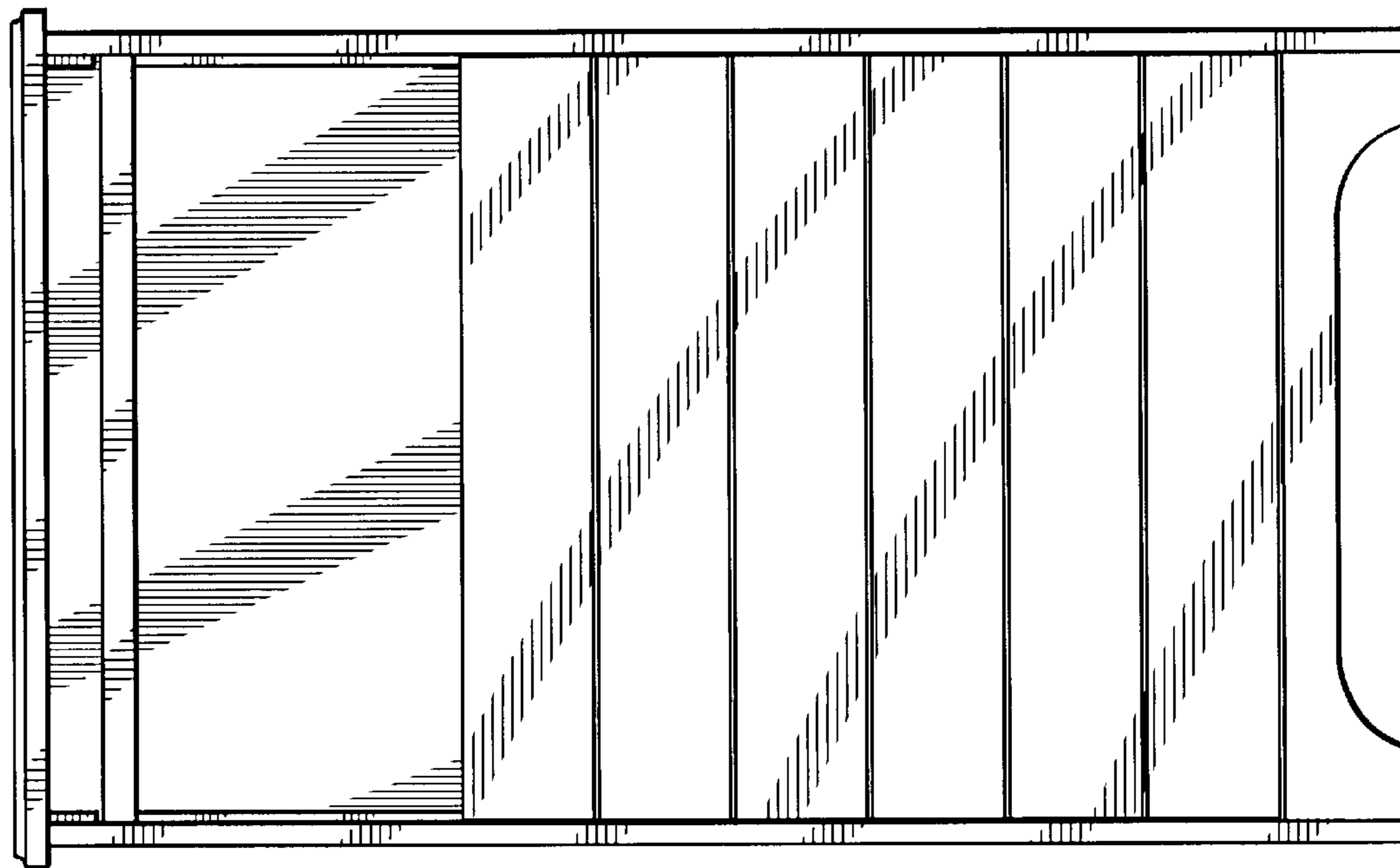


FIG. 16

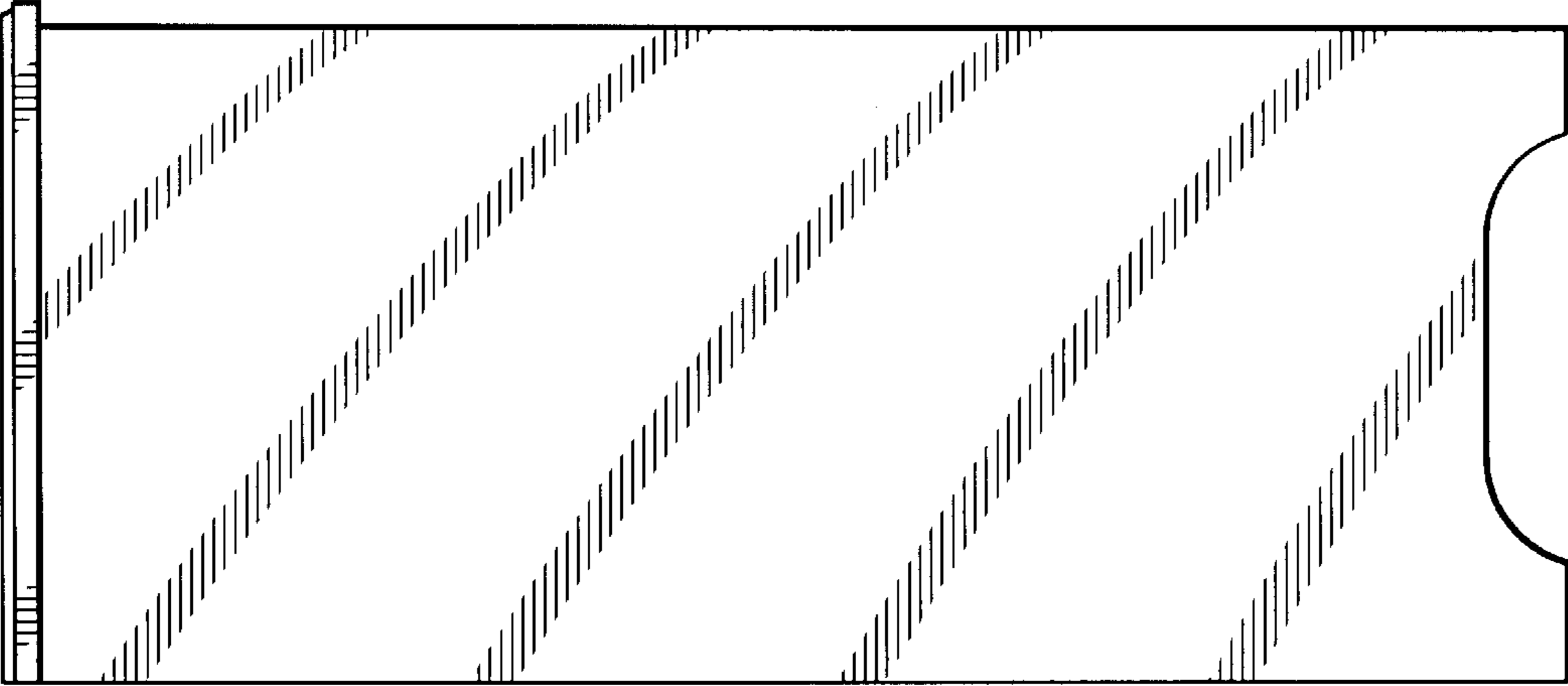


FIG. 19

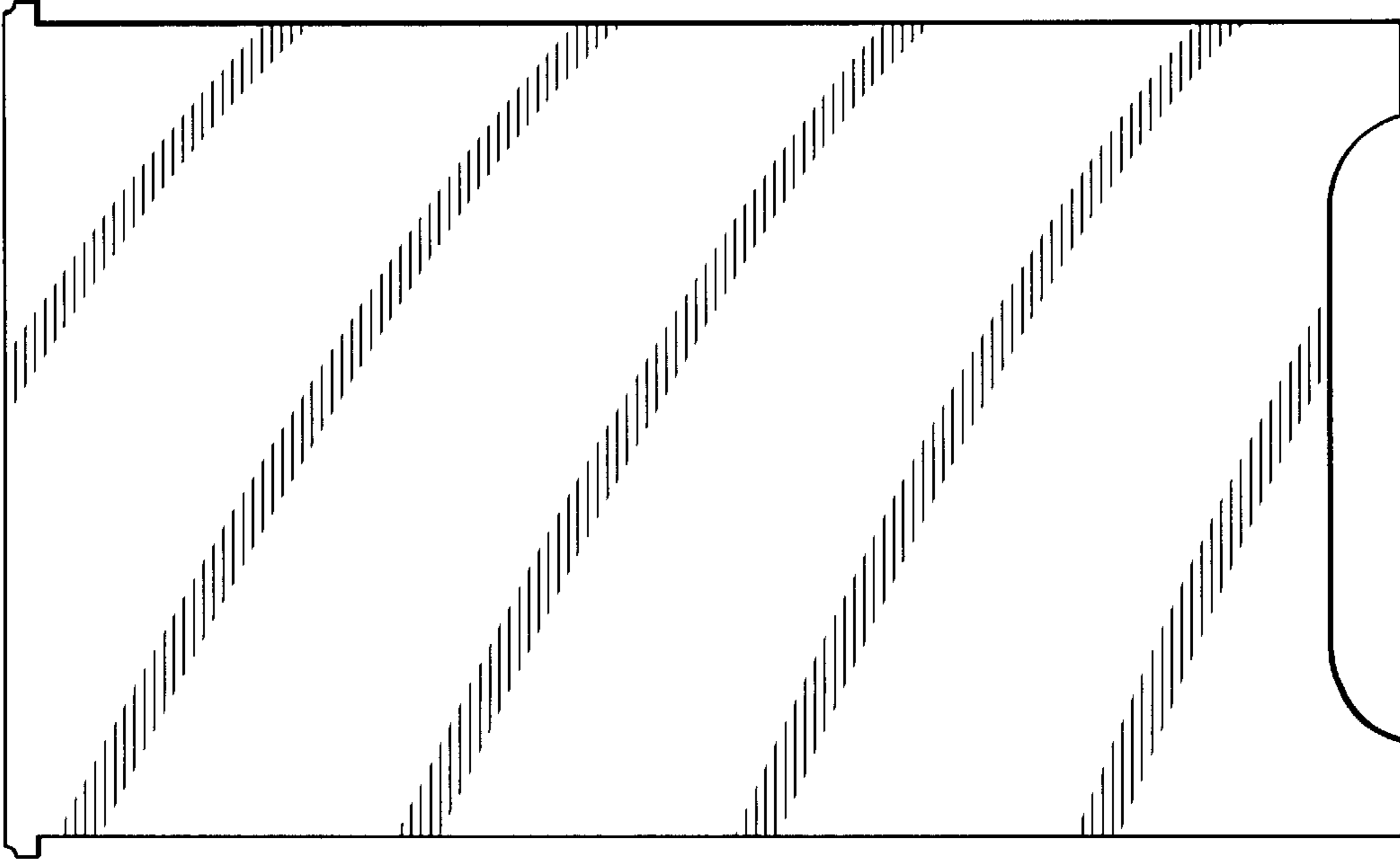


FIG. 18

UNITED STATES PATENT AND TRADEMARK OFFICE
CERTIFICATE OF CORRECTION

PATENT NO. : Des. 522,270 S
APPLICATION NO. : 29/226450
DATED : June 6, 2006
INVENTOR(S) : Eric C. Roeseler

Page 1 of 1

It is certified that error appears in the above-identified patent and that said Letters Patent is hereby corrected as shown below:

On the title page under item (57) Description

Column 2,

Line 22 reads "... tip of the chest of drawers," and should read -- ... top of the chest of drawers, --.

Signed and Sealed this

Twenty-first Day of November, 2006

A handwritten signature in black ink on a light gray dotted background. The signature reads "Jon W. Dudas" in a cursive style.

JON W. DUDAS

Director of the United States Patent and Trademark Office