



US00D522269S

(12) **United States Design Patent**
Walker

(10) **Patent No.:** **US D522,269 S**

(45) **Date of Patent:** **** *Jun. 6, 2006**

(54) **CABINET WITH DISPENSER**

(75) Inventor: **David L. Walker**, Chester, PA (US)

(73) Assignee: **Zenith Products Corp.**, New Castle, DE (US)

(*) Notice: This patent is subject to a terminal disclaimer.

(**) Term: **14 Years**

D314,301 S	*	2/1991	Cooke	D6/520
D401,780 S	*	12/1998	Simon et al.	D6/445
5,887,818 A	*	3/1999	Kelley	312/34.22
D416,412 S	*	11/1999	Thomas	D6/520
D430,984 S	*	9/2000	Camarena	D6/520
D441,568 S	*	5/2001	Masara	D6/445
6,302,350 B1	*	10/2001	Burrell et al.	312/34.22
D461,972 S	*	8/2002	Everett	D6/448
D471,393 S	*	3/2003	Hutchinson	D6/551
D475,227 S	*	6/2003	Clarke	D6/520
D489,197 S	*	5/2004	Harwanko	D6/432
D501,100 S	*	1/2005	Walker	D6/448

(21) Appl. No.: **29/194,603**

(22) Filed: **Nov. 26, 2003**

(51) **LOC (8) Cl.** **06-04**

(52) **U.S. Cl.** **D6/432**

(58) **Field of Classification Search** D6/432-448,
D6/520, 523, 551; 206/389, 391, 804; 312/204,
312/34.2, 34.22

See application file for complete search history.

* cited by examiner

Primary Examiner—Cathron C. Brooks

(74) *Attorney, Agent, or Firm*—Akin Gump Strauss Hauer & Fled, LLP

(57) **CLAIM**

The ornamental design for a cabinet with dispenser, as shown and described.

DESCRIPTION

FIG. 1 is a perspective view of a cabinet with dispenser showing my new design;

FIG. 2 is a front elevational view thereof;

FIG. 3 is a top plan view thereof; and,

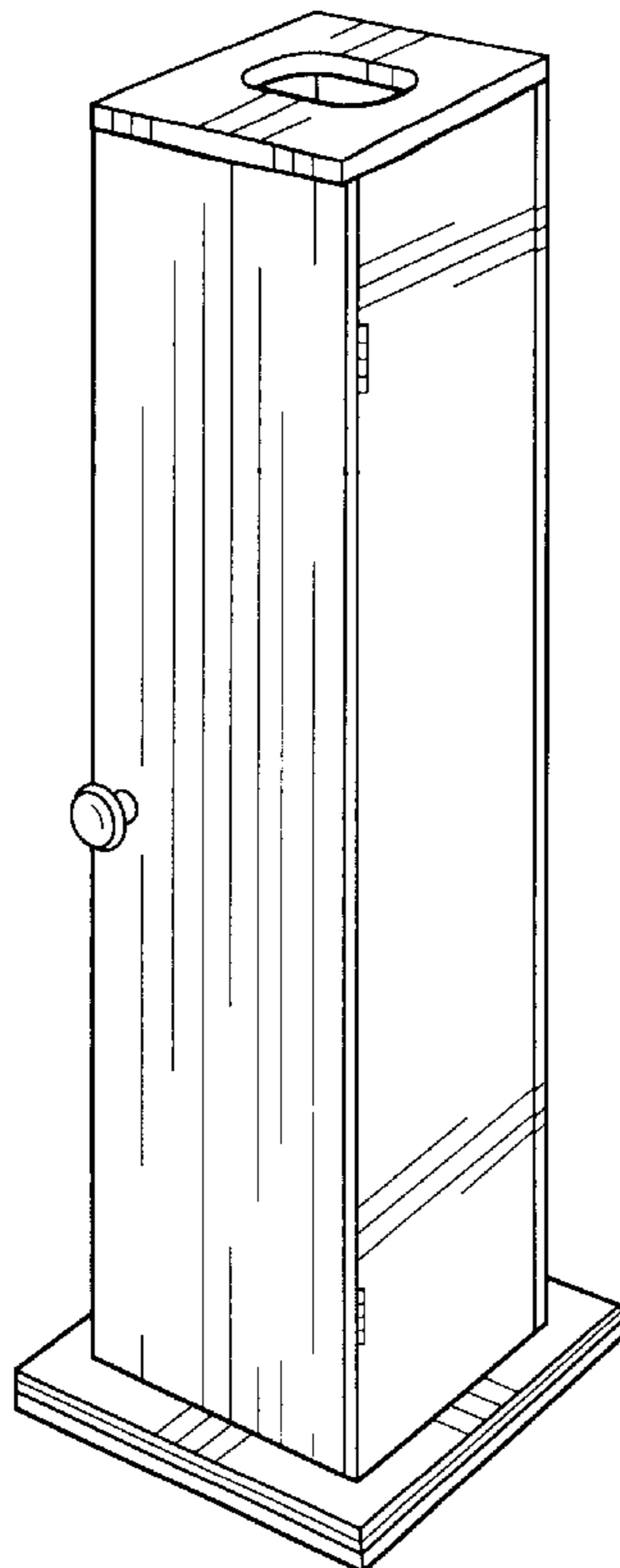
FIG. 4 is a left side view thereof, the opposite side being a mirror image of the side shown.

(56) **References Cited**

U.S. PATENT DOCUMENTS

1,654,616 A	*	1/1928	Spann	312/204
D217,558 S	*	5/1970	Hamilton	D6/446
4,098,469 A	*	7/1978	McCarthy	312/34.22
4,124,259 A	*	11/1978	Harris	312/34.22
4,294,389 A	*	10/1981	Falk et al.	312/34.22
D306,104 S	*	2/1990	Merdic	D6/523

1 Claim, 2 Drawing Sheets



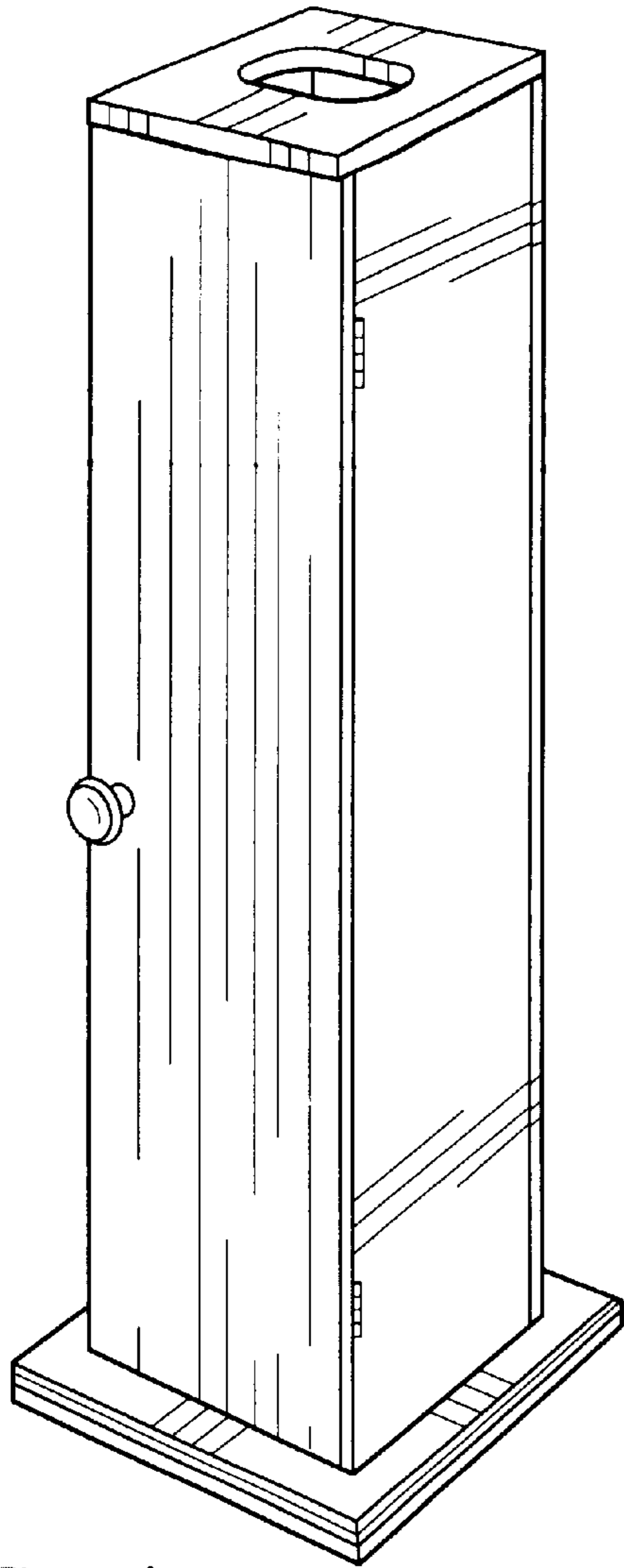


Fig-1

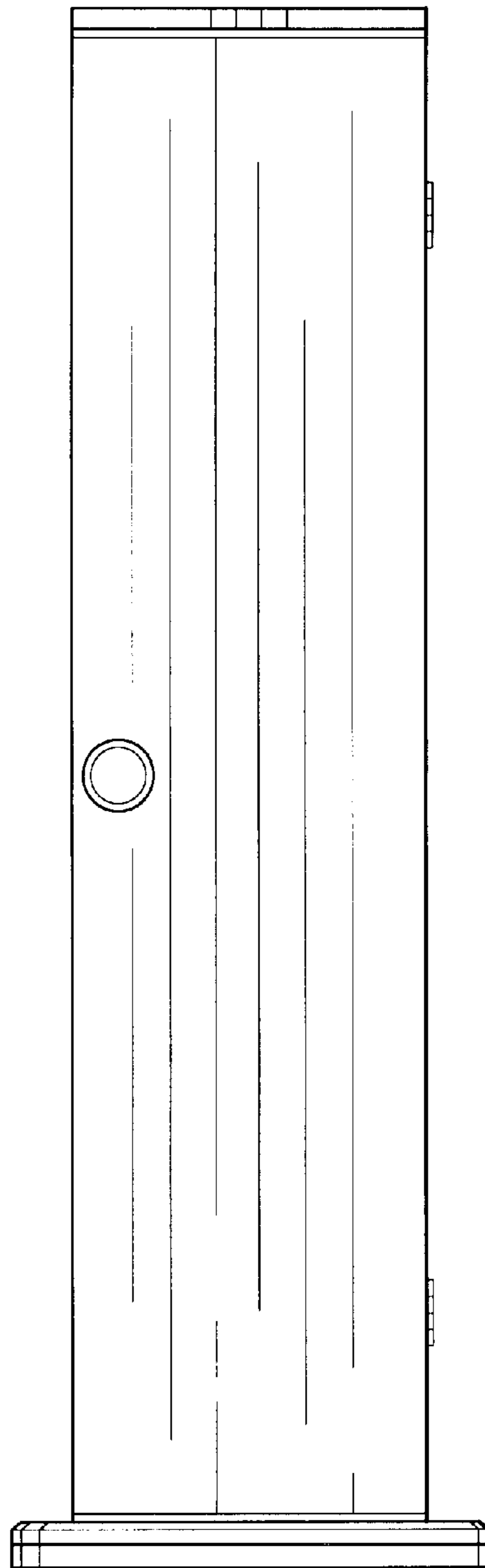


Fig-2

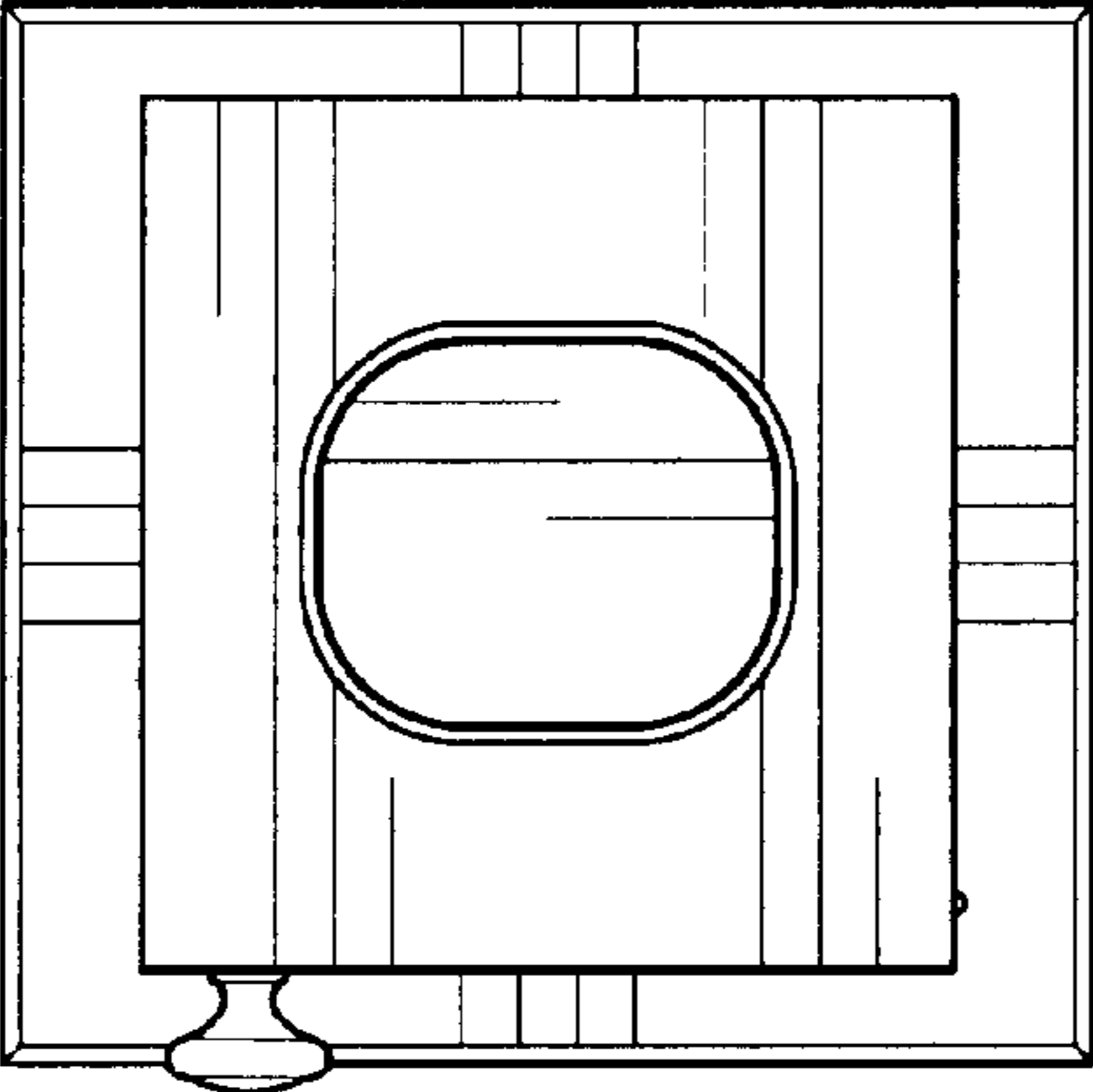


Fig-3

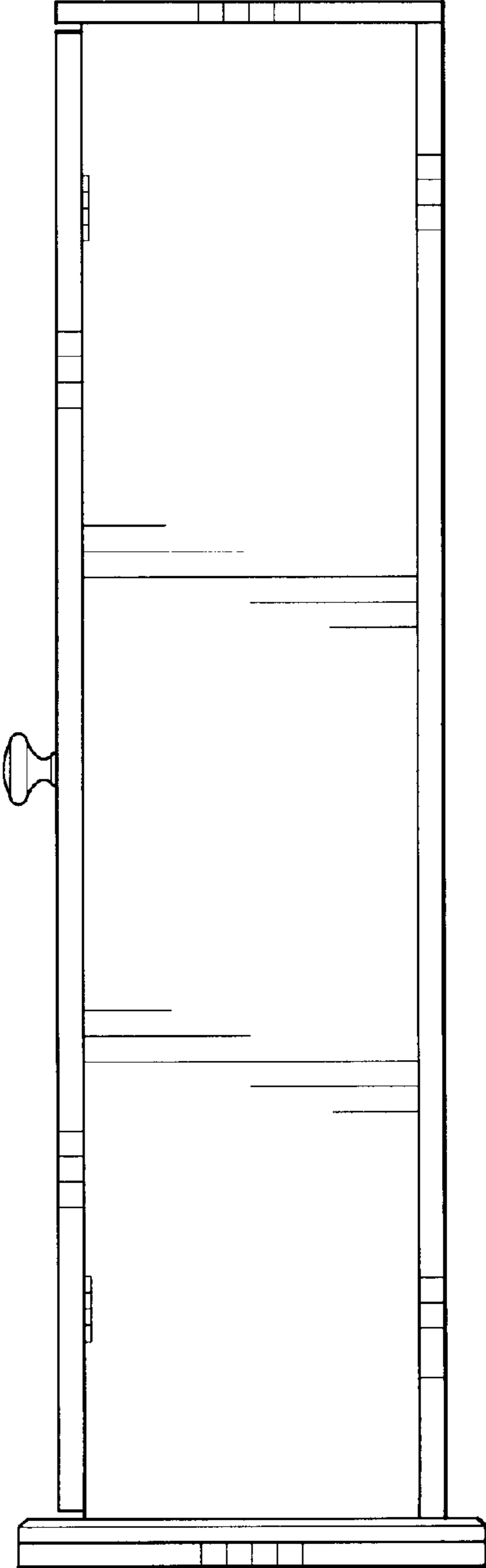


Fig-4