



US00D522263S

(12) **United States Design Patent**
Hart

(10) **Patent No.:** **US D522,263 S**

(45) **Date of Patent:** **** Jun. 6, 2006**

(54) **MODULAR COLLAPSIBLE CHAIR**

(75) Inventor: **Rob Hart**, Red Lodge, MT (US)

(73) Assignee: **Crazy Creek Products, Inc.**, Red Lodge, MT (US)

(**) Term: **14 Years**

(21) Appl. No.: **29/188,391**

(22) Filed: **Aug. 18, 2003**

(51) **LOC (8) Cl.** **06-01**

(52) **U.S. Cl.** **D6/368**

(58) **Field of Classification Search** D6/334–336,
D6/367, 368, 371, 373, 374, 375, 379, 601,
D6/500–502; 297/452.13, 16.2, 45, 46, 55–57,
297/118, 173, 183.5, 183.7, 188.01

See application file for complete search history.

(56) **References Cited**

U.S. PATENT DOCUMENTS

2,096,237	A	*	10/1937	Frey	297/45
2,239,669	A	*	4/1941	Blake	297/183.5
2,493,682	A	*	1/1950	Meehan	297/45
2,792,875	A	*	5/1957	Pirrone	D6/368
3,151,909	A	*	10/1964	Gerdetz	297/183.5
3,331,629	A	*	7/1967	Munson et al.	297/45
D258,178	S	*	2/1981	Bayne	D6/336
4,566,731	A	*	1/1986	Marchesini	297/45
D293,282	S	*	12/1987	Ashford	D6/368
4,863,003	A	*	9/1989	Carter	297/118

D306,543	S	*	3/1990	Pestuglicci et al.	D6/601
D340,814	S	*	11/1993	Grant	D6/368
5,516,193	A	*	5/1996	Simpson	297/188.01
D376,484	S	*	12/1996	Gregory	D6/368
5,873,624	A	*	2/1999	Simpson	297/45
6,082,813	A	*	7/2000	Chen	297/16.2
D430,976	S	*	9/2000	Tow	D6/374
6,247,748	B1	*	6/2001	Zheng	297/16.2
6,364,411	B1	*	4/2002	Zheng	297/173
6,454,348	B1	*	9/2002	Wu	297/16.2
D467,085	S	*	12/2002	Kamiki	D6/601
6,540,290	B1	*	4/2003	Liu	297/45

* cited by examiner

Primary Examiner—Mimosa De

(74) *Attorney, Agent, or Firm*—Blackwell Sanders Peper Martin LLP

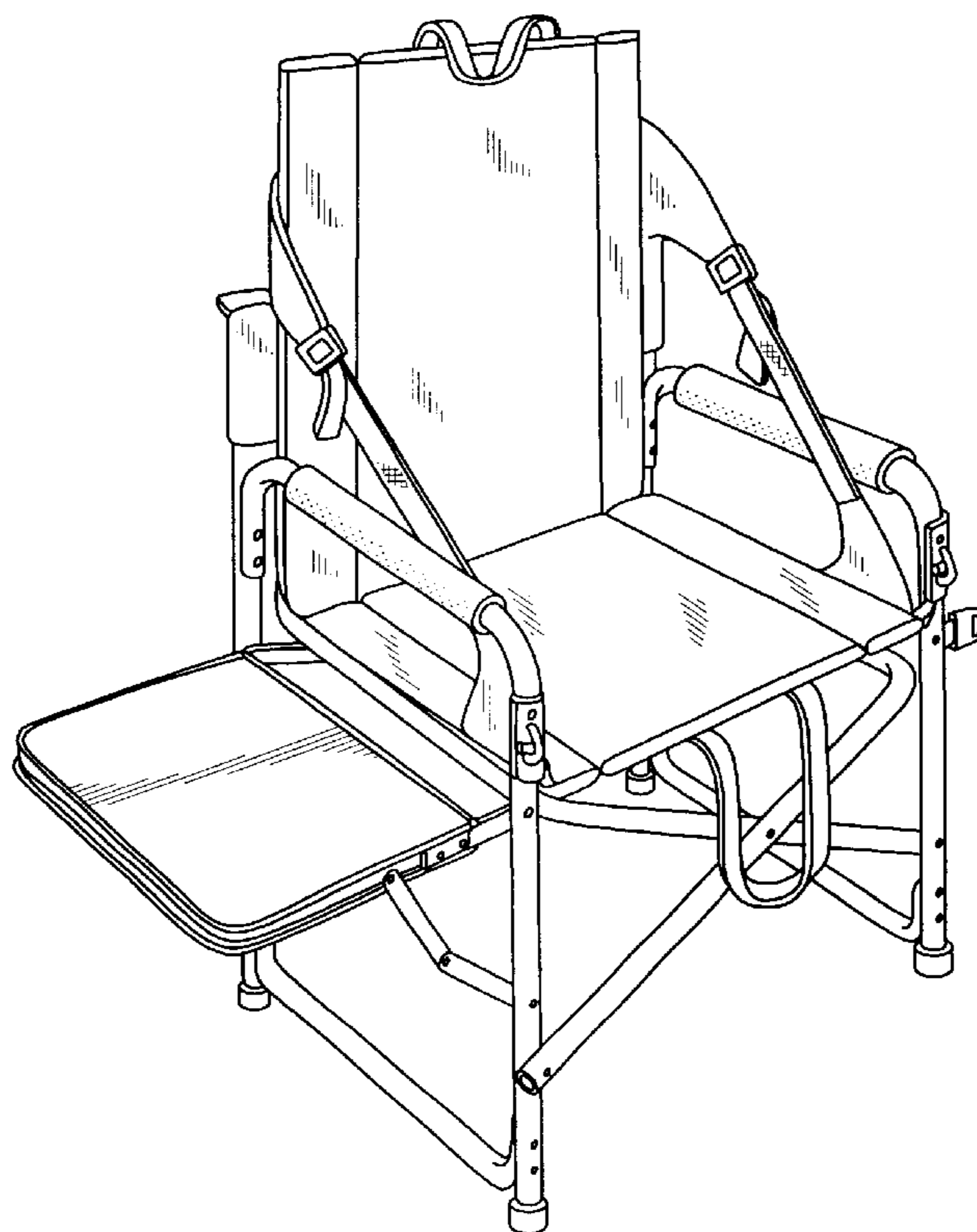
(57) **CLAIM**

The ornamental design for a modular collapsible chair, as shown and described.

DESCRIPTION

FIG. 1 is a perspective view of the design for a modular collapsible chair embodying my invention;
FIG. 2 is a top plan view;
FIG. 3 is a right side elevational view thereof;
FIG. 4 is a left side elevational thereof;
FIG. 5 is a bottom plan view thereof;
FIG. 6 is a front elevational view thereof; and,
FIG. 7 is a rear elevational view thereof.

1 Claim, 4 Drawing Sheets



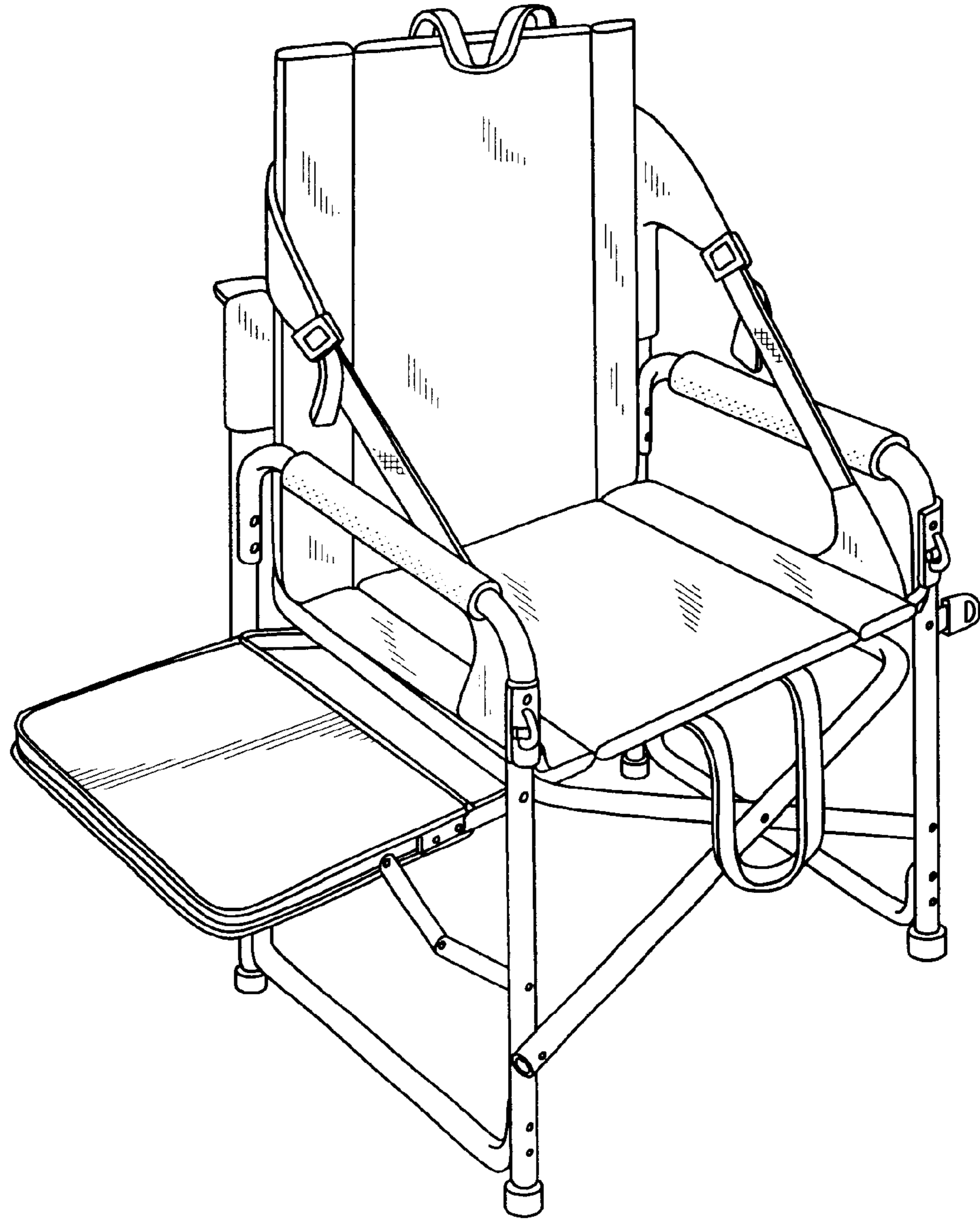


FIG. 1

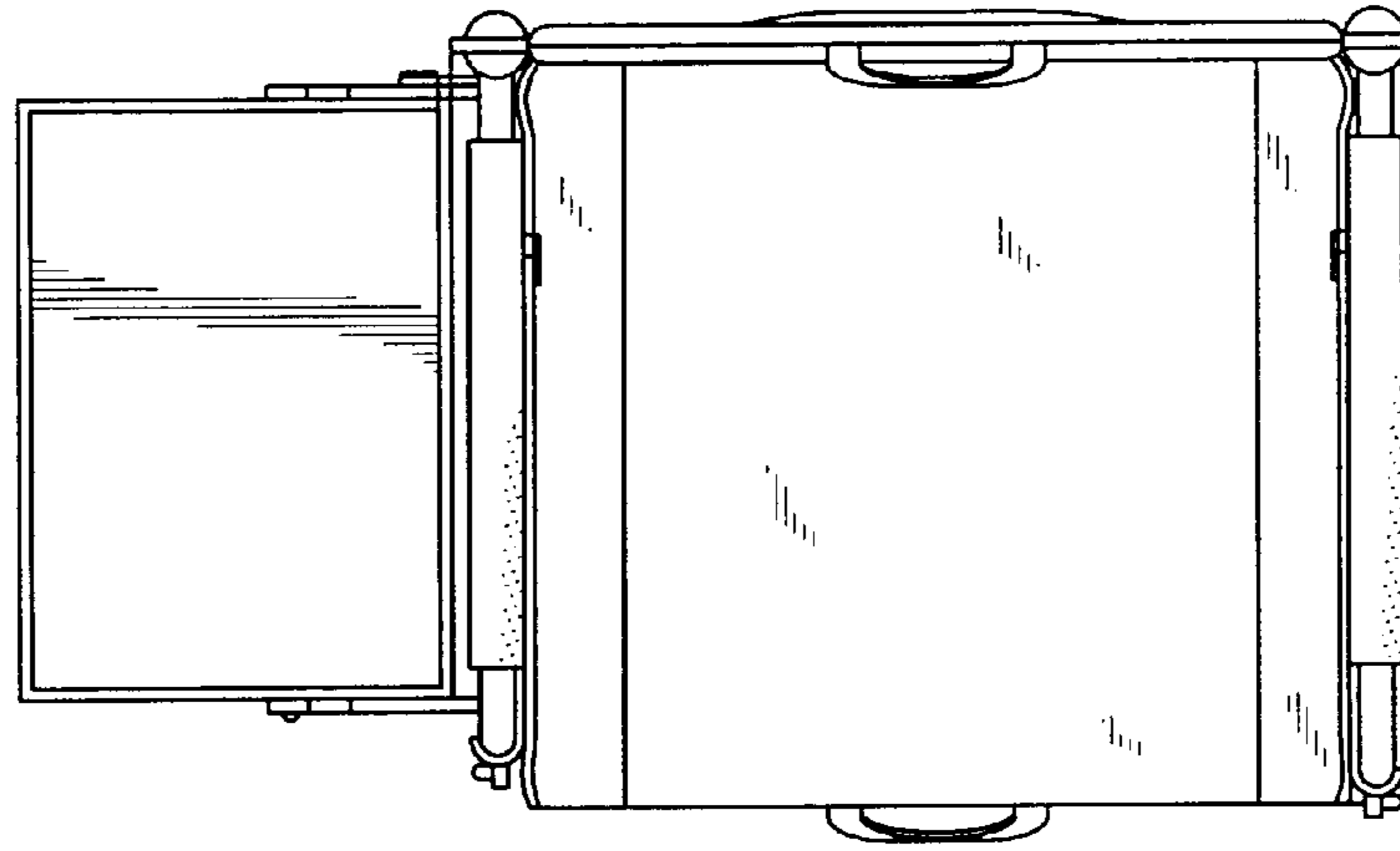


FIG. 2

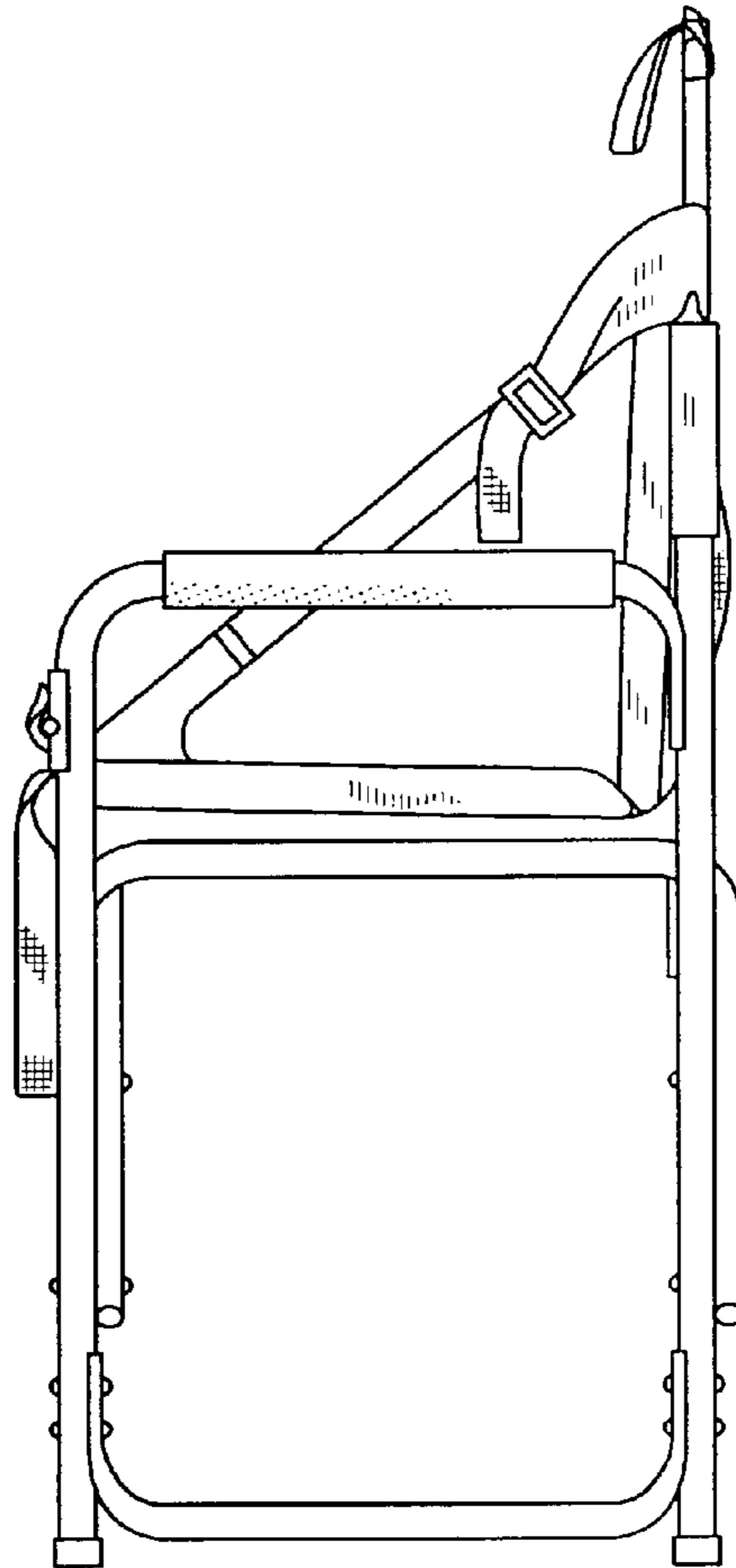


FIG. 3

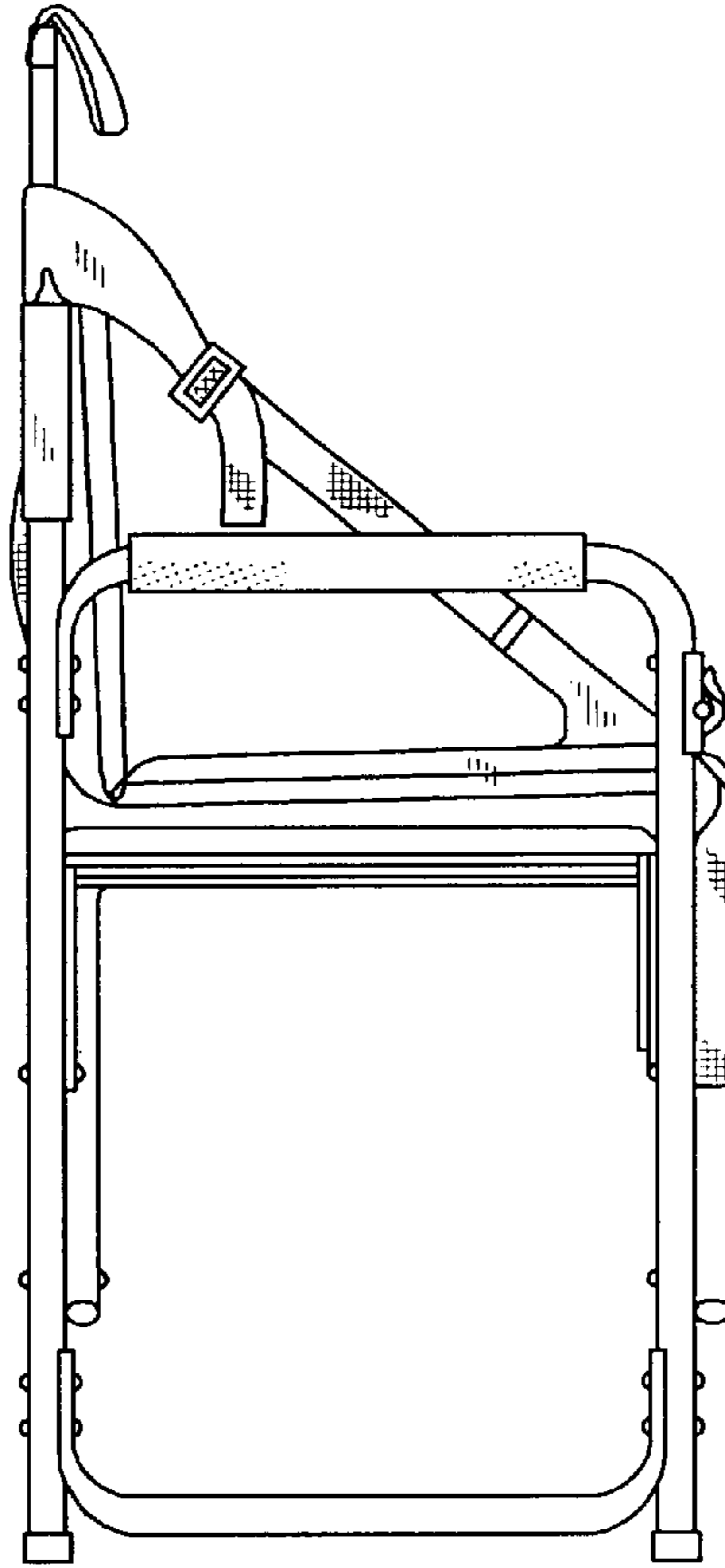


FIG. 4

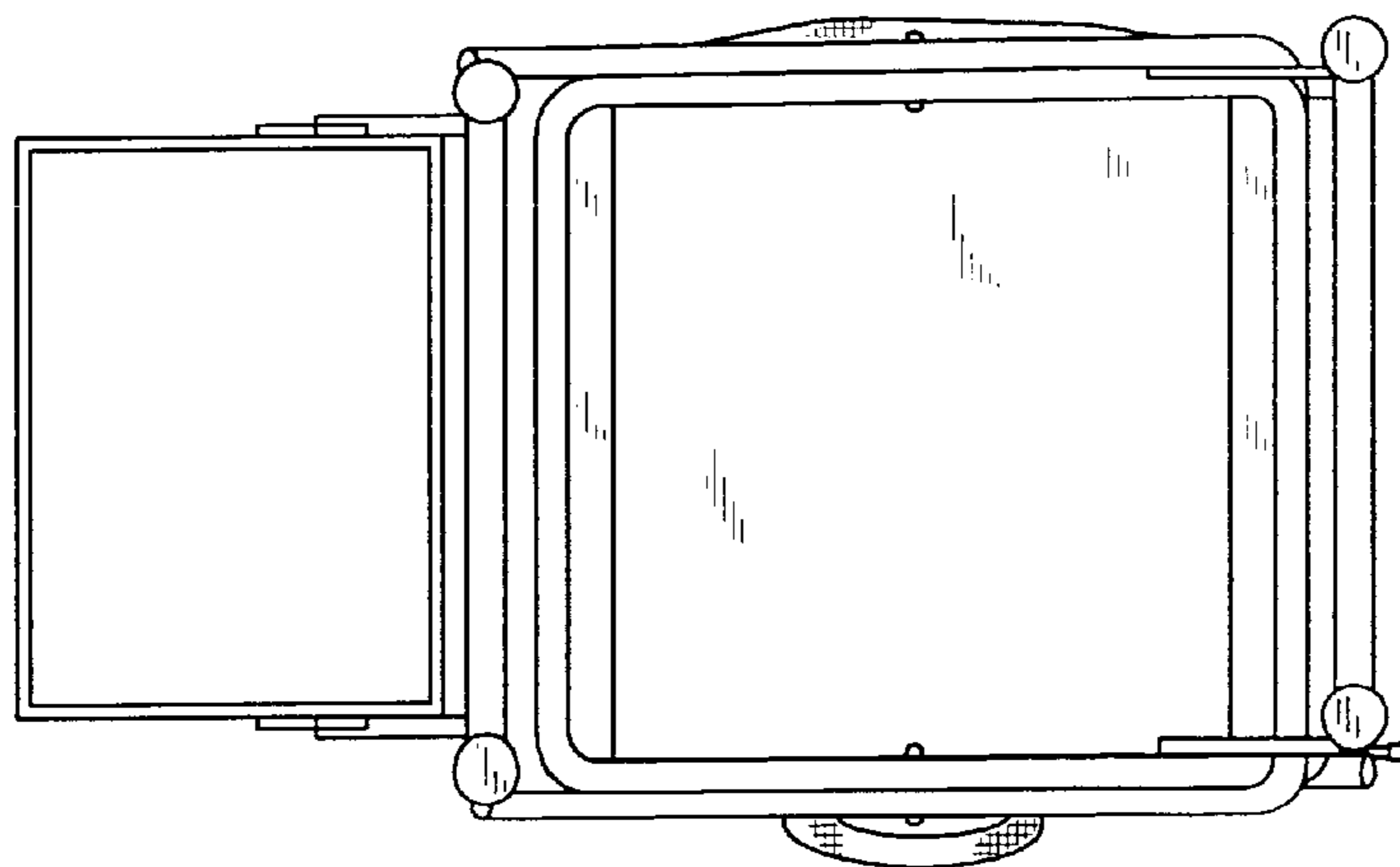


FIG. 5

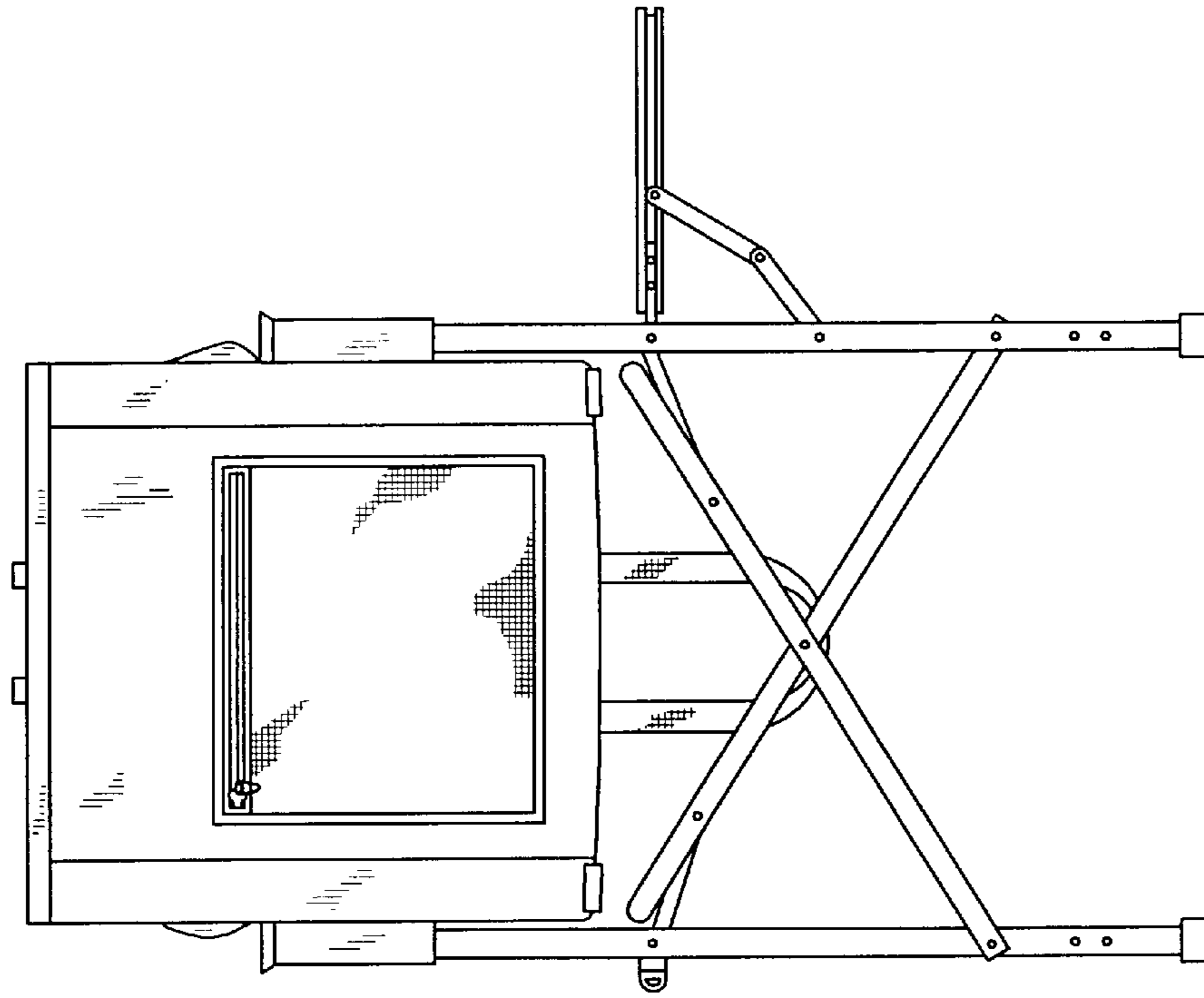


FIG. 7

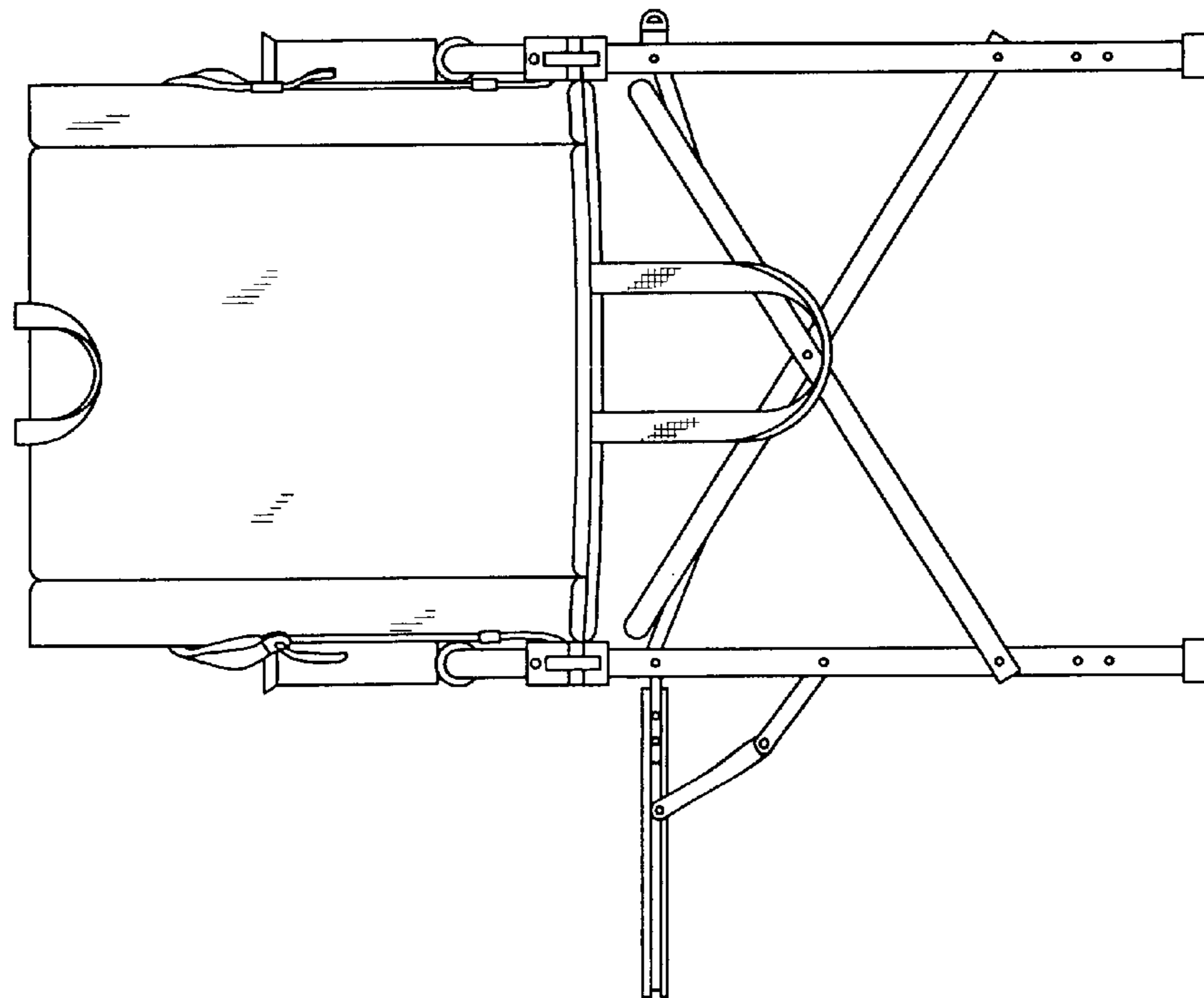


FIG. 6