



US00D522261S

(12) **United States Design Patent**  
**Whiteside et al.**

(10) **Patent No.:** **US D522,261 S**  
(45) **Date of Patent:** **\*\* Jun. 6, 2006**

(54) **KNEELER**

(75) Inventors: **Kirt E. Whiteside**, Marion, OH (US);  
**Shane Obitts**, Elyria, OH (US)

(73) Assignee: **Whiteside Mfg. Co.**, Delaware, OH  
(US)

(\*\*) Term: **14 Years**

(21) Appl. No.: **29/228,443**

(22) Filed: **Apr. 25, 2005**

(51) **LOC (8) Cl.** ..... **06-01**

(52) **U.S. Cl.** ..... **D6/349**

(58) **Field of Classification Search** ..... D6/334-339,  
D6/349, 352, 364-366, 353, 369, 370, 495,  
D6/500-502; 5/12.1; 297/445.1, 232, 446.1,  
297/447.3, 448.1, 452.1, 423.12  
See application file for complete search history.

(56) **References Cited**

**U.S. PATENT DOCUMENTS**

3,976,155	A	*	8/1976	Esch	.....	280/32.5
4,328,991	A	*	5/1982	Mengshoel et al.	.....	297/271.1
4,650,249	A	*	3/1987	Serber	.....	297/313
D294,546	S	*	3/1988	Opsvik	.....	D6/500
4,767,159	A	*	8/1988	Opsvik	.....	297/423.11
4,767,160	A	*	8/1988	Mengshoel et al.	....	297/423.12
4,772,071	A	*	9/1988	Richards	.....	297/423.12
4,960,305	A	*	10/1990	Opsvik	.....	297/423.12
5,054,857	A	*	10/1991	Kvalheim	.....	297/423.13

5,149,174	A	*	9/1992	Charash	.....	297/423.12
5,186,519	A	*	2/1993	Larson	.....	297/423.12
5,330,254	A	*	7/1994	Larson	.....	297/354.11
5,490,716	A	*	2/1996	Naughton	.....	297/423.12
5,669,669	A	*	9/1997	Usher	.....	297/423.12
5,720,517	A	*	2/1998	Prothro, Sr.	.....	297/195.11
5,870,774	A	*	2/1999	Legenstein	.....	2/24
5,971,485	A	*	10/1999	Clark	.....	297/423.12
6,302,413	B1		10/2001	Comeaux	.....	280/32.5
6,543,853	B1	*	4/2003	Splane, Jr.	.....	297/423.12
2003/0168899	A1	*	9/2003	Voyce	.....	297/423.11

\* cited by examiner

*Primary Examiner*—Sandra S. Snapp

(74) *Attorney, Agent, or Firm*—Renner, Kenner, Greive,  
Bobak, Taylor & Weber

(57) **CLAIM**

The ornamental design for a kneeler, as shown and described.

**DESCRIPTION**

FIG. 1 is a top, front, right side perspective view of a kneeler showing our new design;

FIG. 2 is a left side elevational view thereof, the right side being a mirror image of the left side;

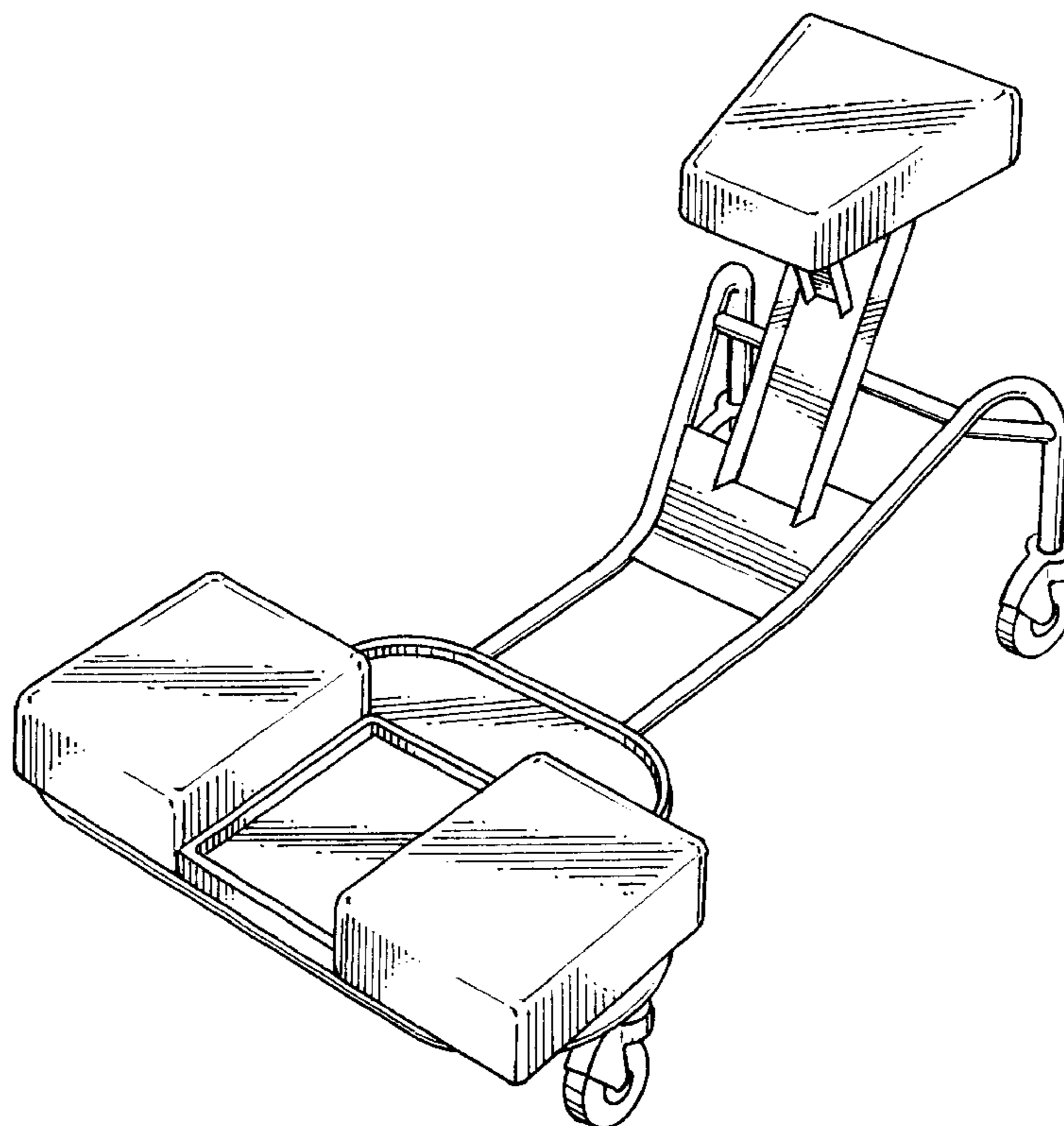
FIG. 3 is a front elevational view thereof;

FIG. 4 is a rear elevational view thereof;

FIG. 5 is a top plan view thereof; and,

FIG. 6 is a bottom plan view thereof.

**1 Claim, 4 Drawing Sheets**



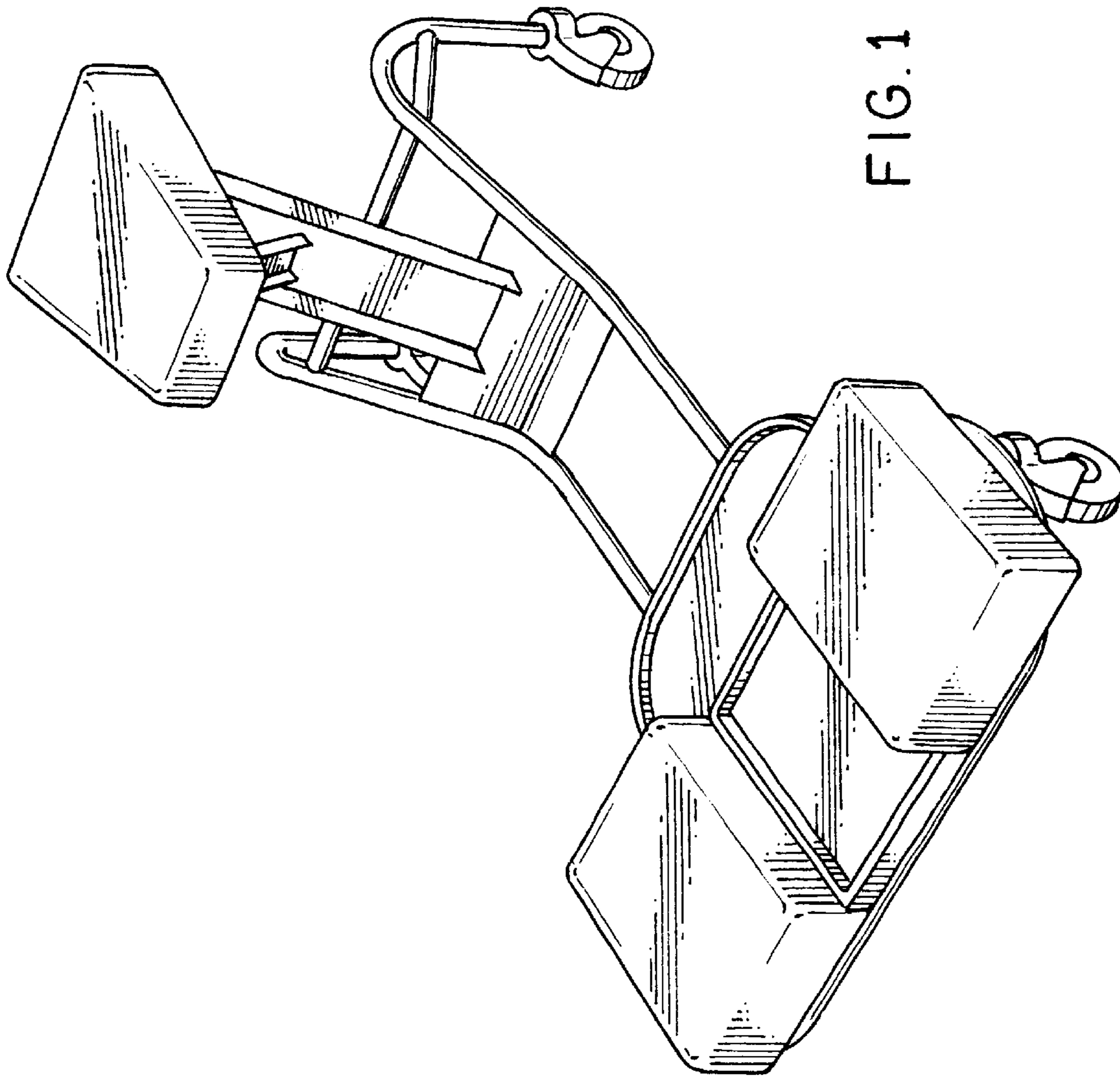


FIG. 1

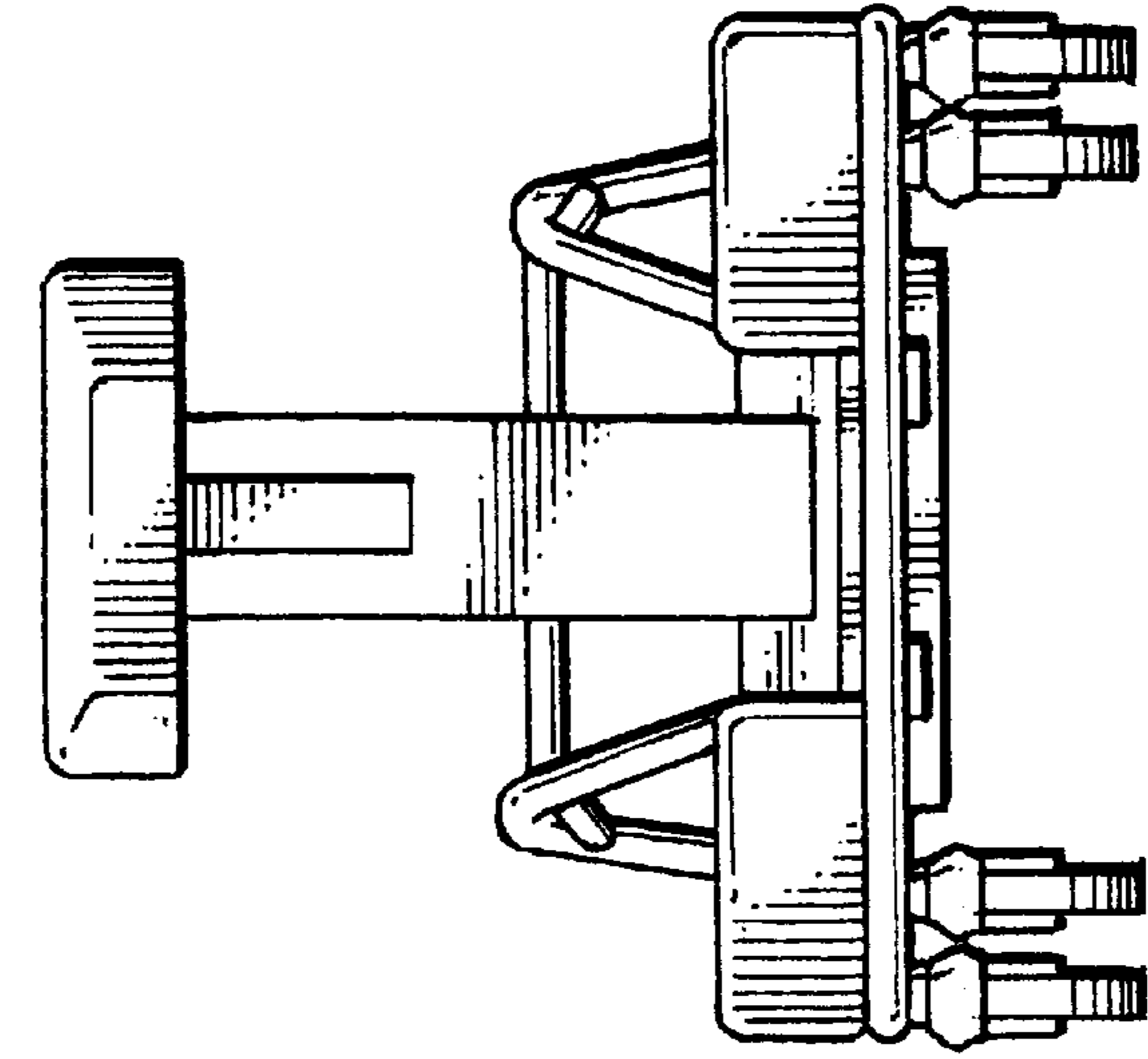


FIG. 3

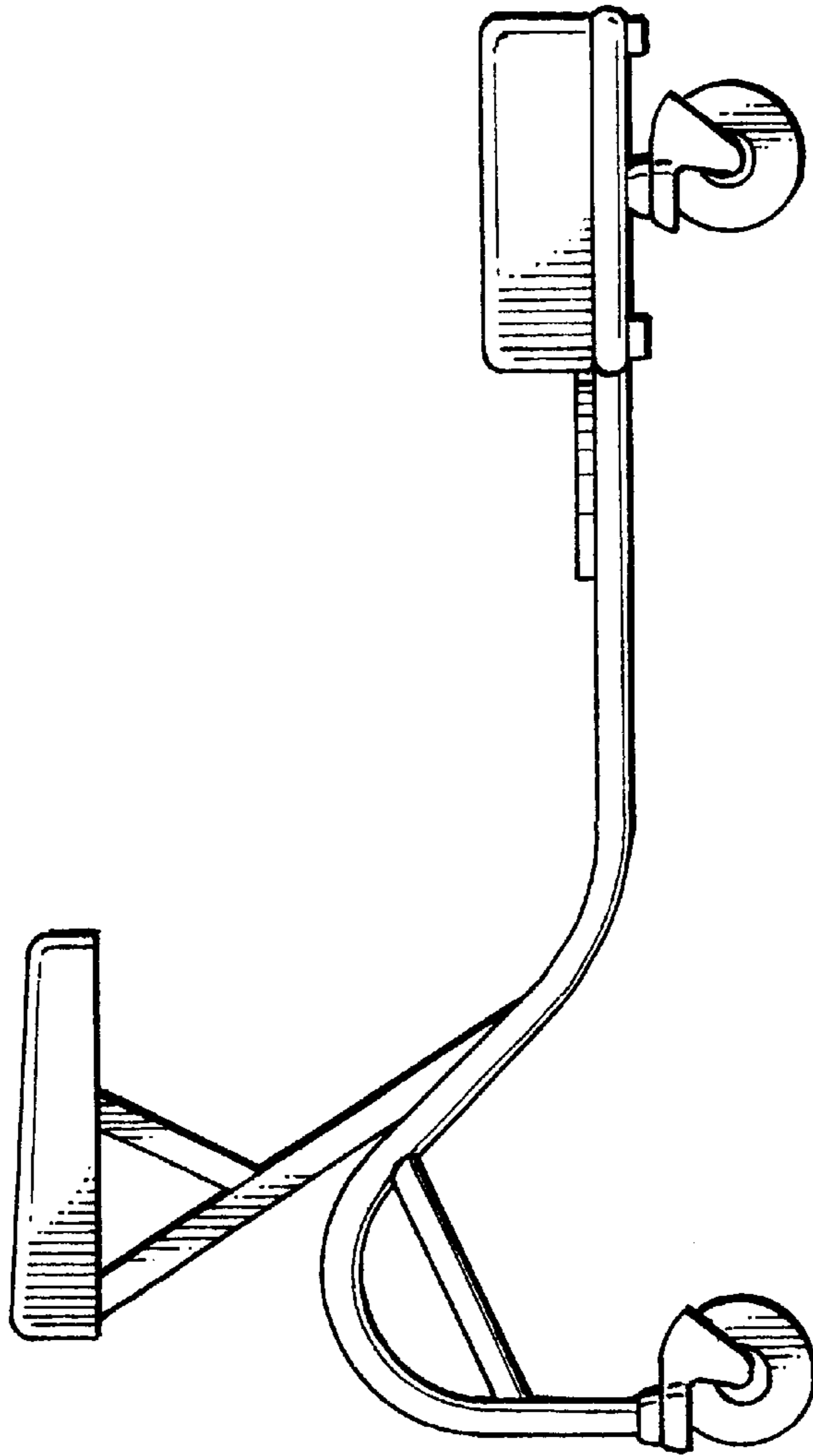


FIG. 2

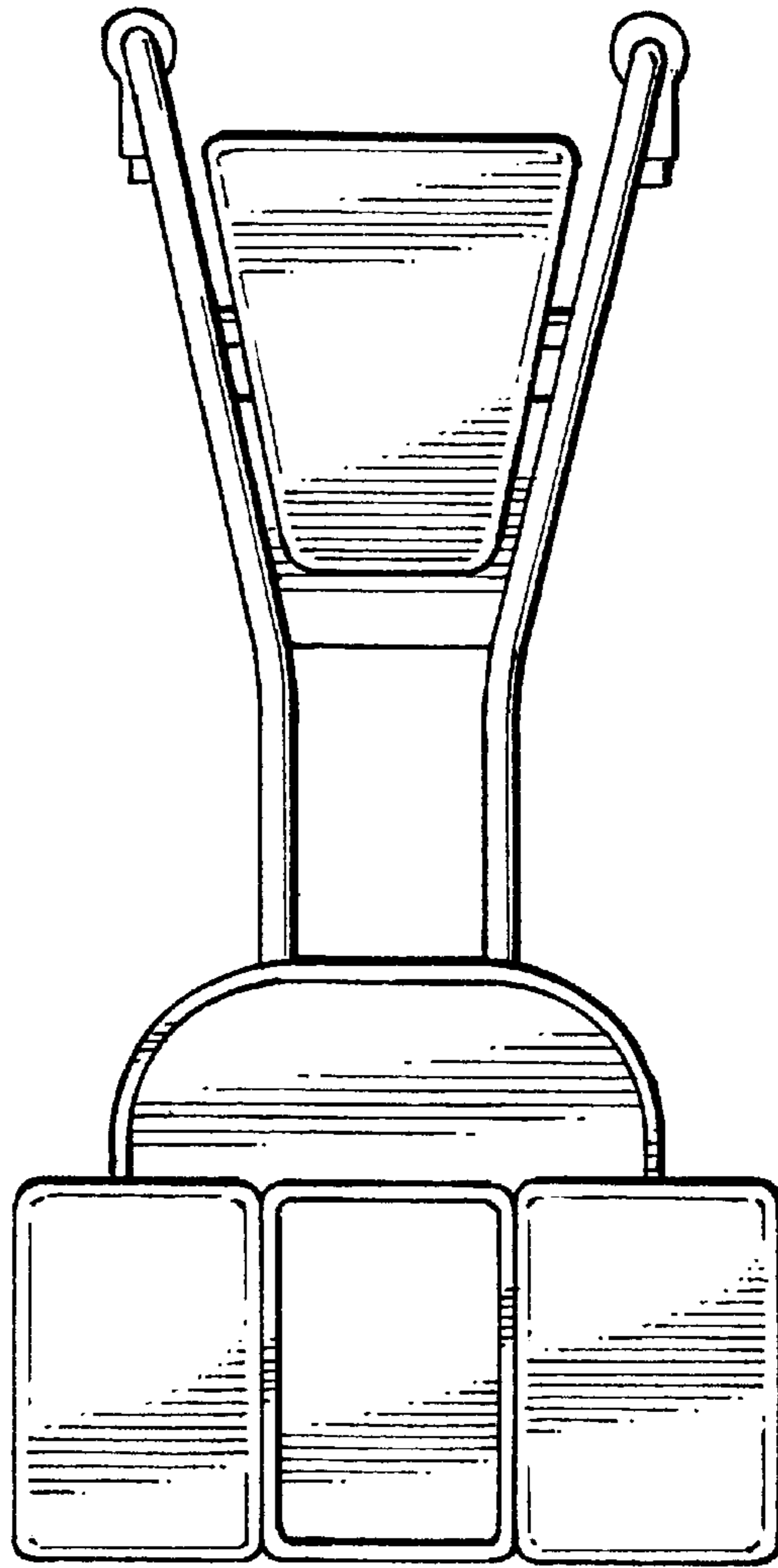


FIG. 5

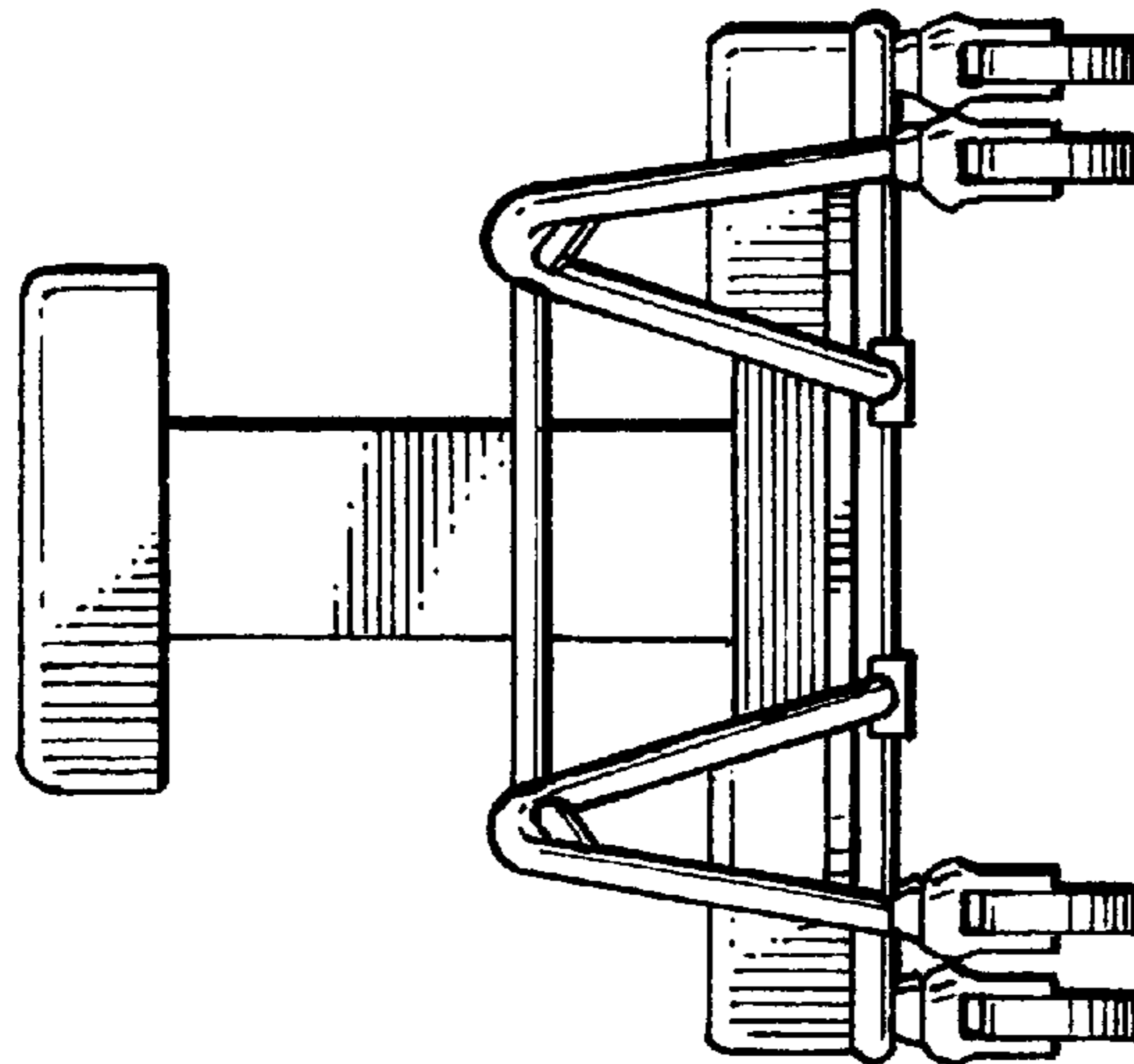


FIG. 4

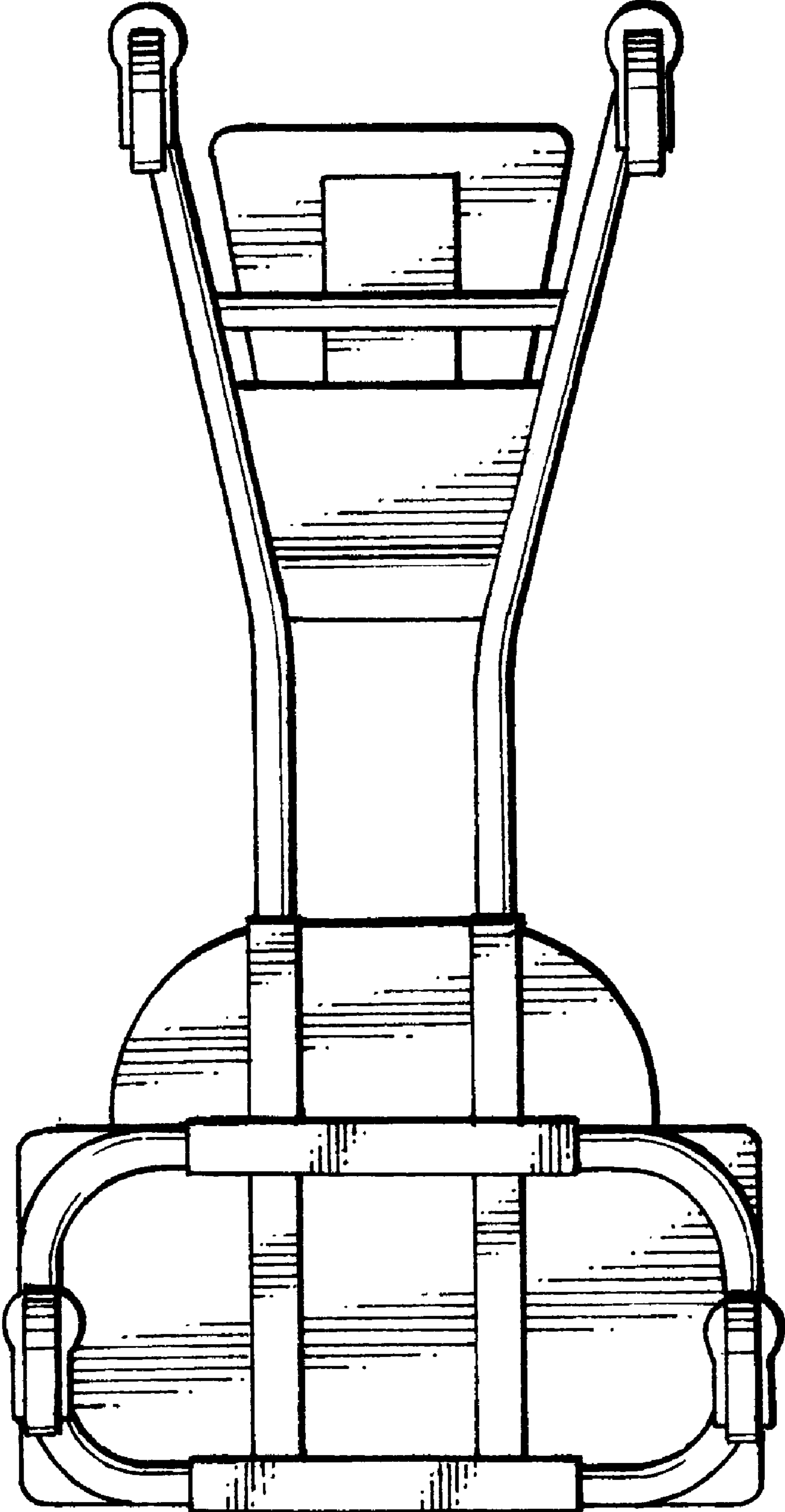


FIG. 6