

US00D522259S

(12) **United States Design Patent**  
**Wu**

(10) **Patent No.:** **US D522,259 S**

(45) **Date of Patent:** **\*\* Jun. 6, 2006**

(54) **FREE SWING CHAIR**

(75) Inventor: **Liuxiang Wu, Yongkang (CN)**

(73) Assignee: **Brother Holding Group Co., LTD,**  
**YongKang (CN)**

(\*\*) Term: **14 Years**

(21) Appl. No.: **29/229,708**

(22) Filed: **May 11, 2005**

(51) **LOC (8) Cl.** ..... **06-01**

(52) **U.S. Cl.** ..... **D6/347**

(58) **Field of Classification Search** ..... D6/334-335,  
D6/344-348, 361, 381, 374, 375, 500-502;  
D21/823; 297/273, 278, 280, 281, 232, 282,  
297/452.13, 452.19, 452.2; 472/118, 125

See application file for complete search history.

(56) **References Cited**

**U.S. PATENT DOCUMENTS**

405,496	A	*	6/1889	McCord	.....	297/273
1,231,686	A	*	7/1917	Zuniga	.....	297/452.13
D167,491	S	*	8/1952	Witty	.....	D6/361
2,696,869	A	*	12/1954	Schlaak	.....	297/452.13
2,776,704	A	*	1/1957	Moore et al.	.....	297/452.2
D254,942	S	*	5/1980	Browning	.....	D6/347

6,082,820	A	*	7/2000	Jeng	.....	297/452.13
D459,099	S	*	6/2002	Liu	.....	D6/347
D459,596	S	*	7/2002	Tseng	.....	D6/344
D468,546	S	*	1/2003	Tseng	.....	D6/347
6,582,018	B1	*	6/2003	Tseng	.....	297/281
D489,190	S	*	5/2004	Tseng	.....	D6/347
D491,377	S	*	6/2004	Le Gall	.....	D6/361
D503,290	S	*	3/2005	Tseng	.....	D6/347
6,949,027	B1	*	9/2005	Habing et al.	.....	472/118

\* cited by examiner

*Primary Examiner*—Mimosa De

(74) *Attorney, Agent, or Firm*—Jacobson Holman PLLc

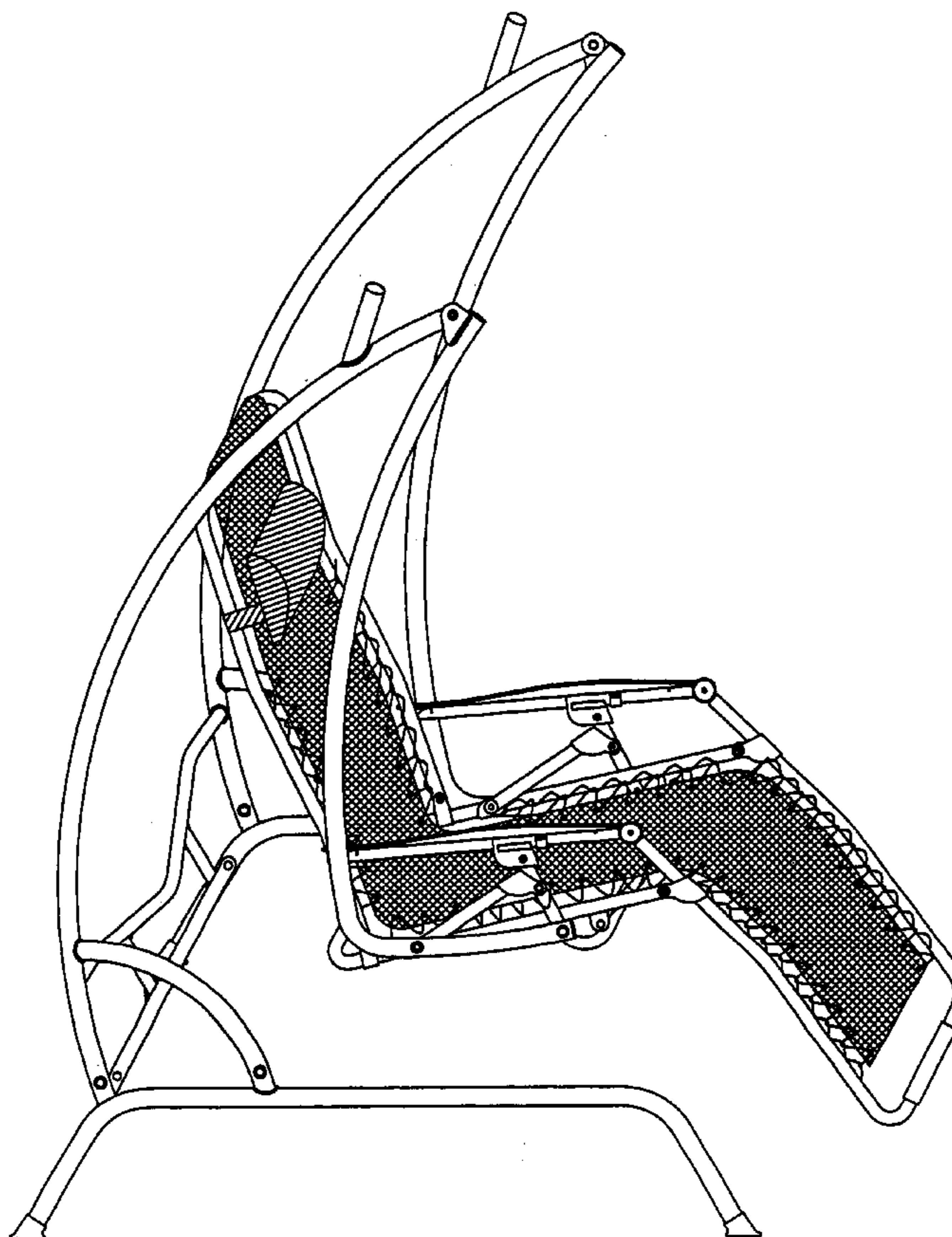
(57) **CLAIM**

I claim the ornamental design for the free swing chair, as shown and described.

**DESCRIPTION**

FIG. 1 is a side perspective view of a free swing chair showing my ornamental design;  
FIG. 2 is a bottom plan view thereof;  
FIG. 3 is a top plan view thereof;  
FIG. 4 is a side elevational view thereof;  
FIG. 5 is a front elevational view thereof; and,  
FIG. 6 is a rear elevational view thereof.

**1 Claim, 6 Drawing Sheets**



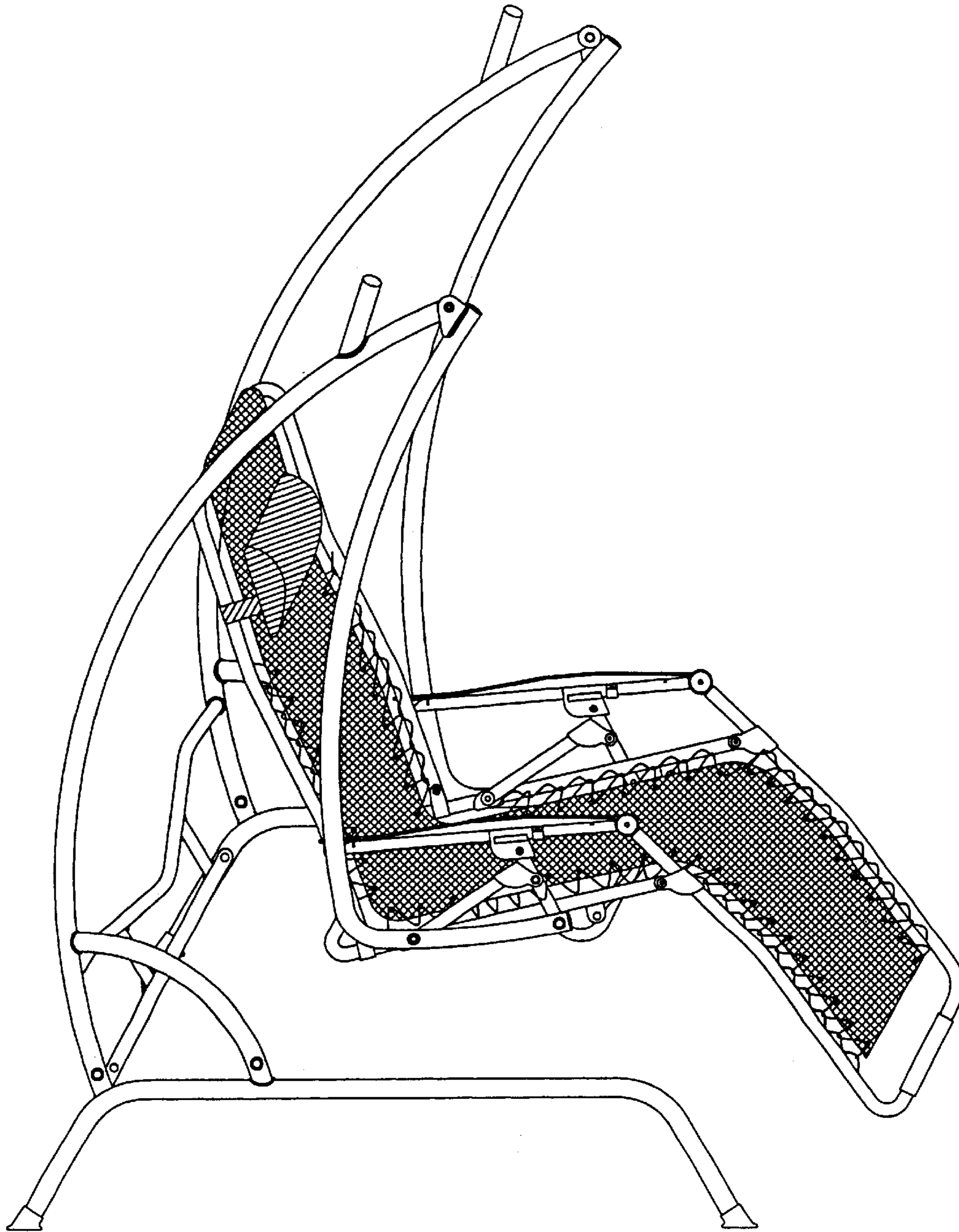


FIG. 1

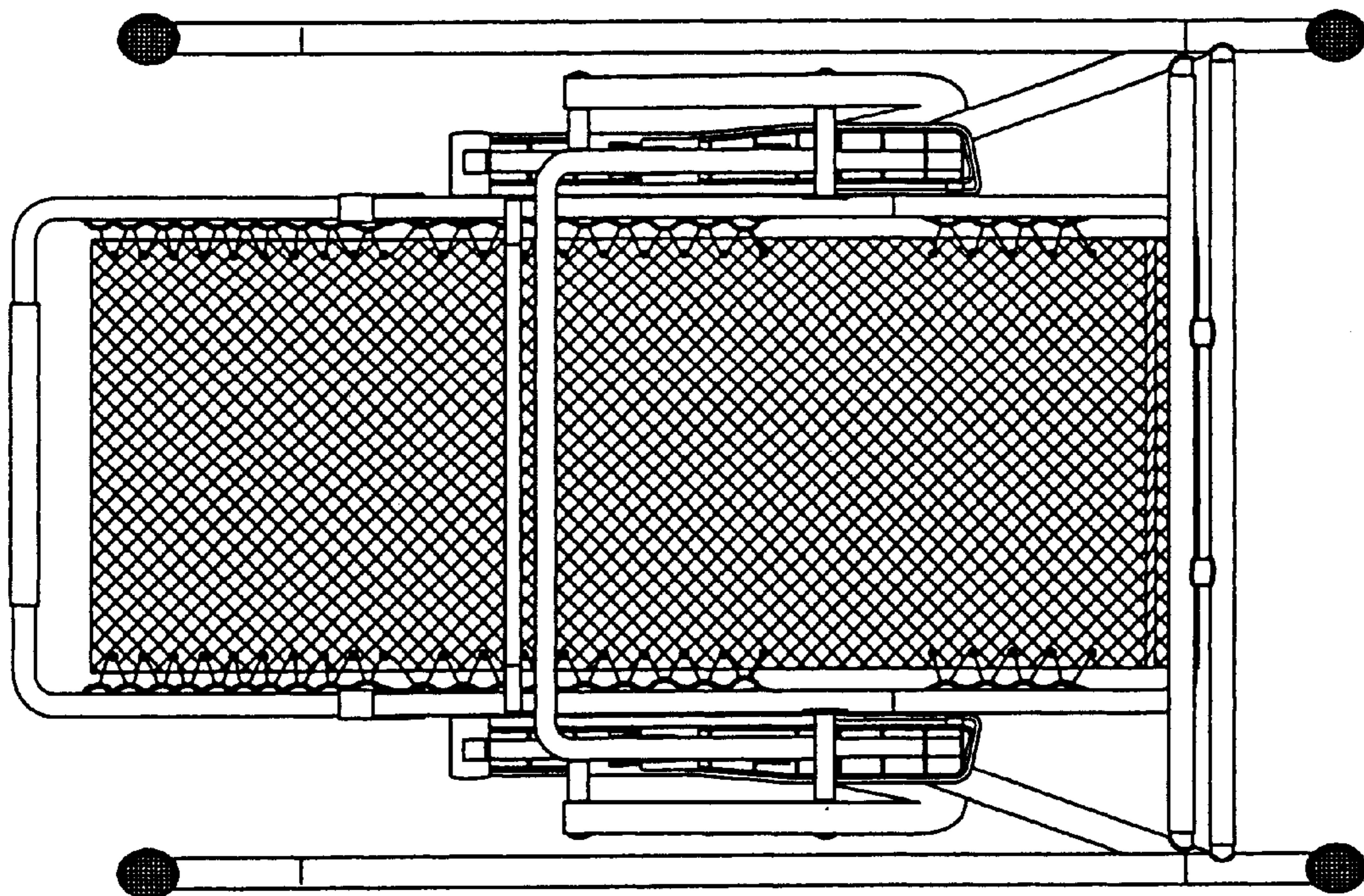


FIG. 2

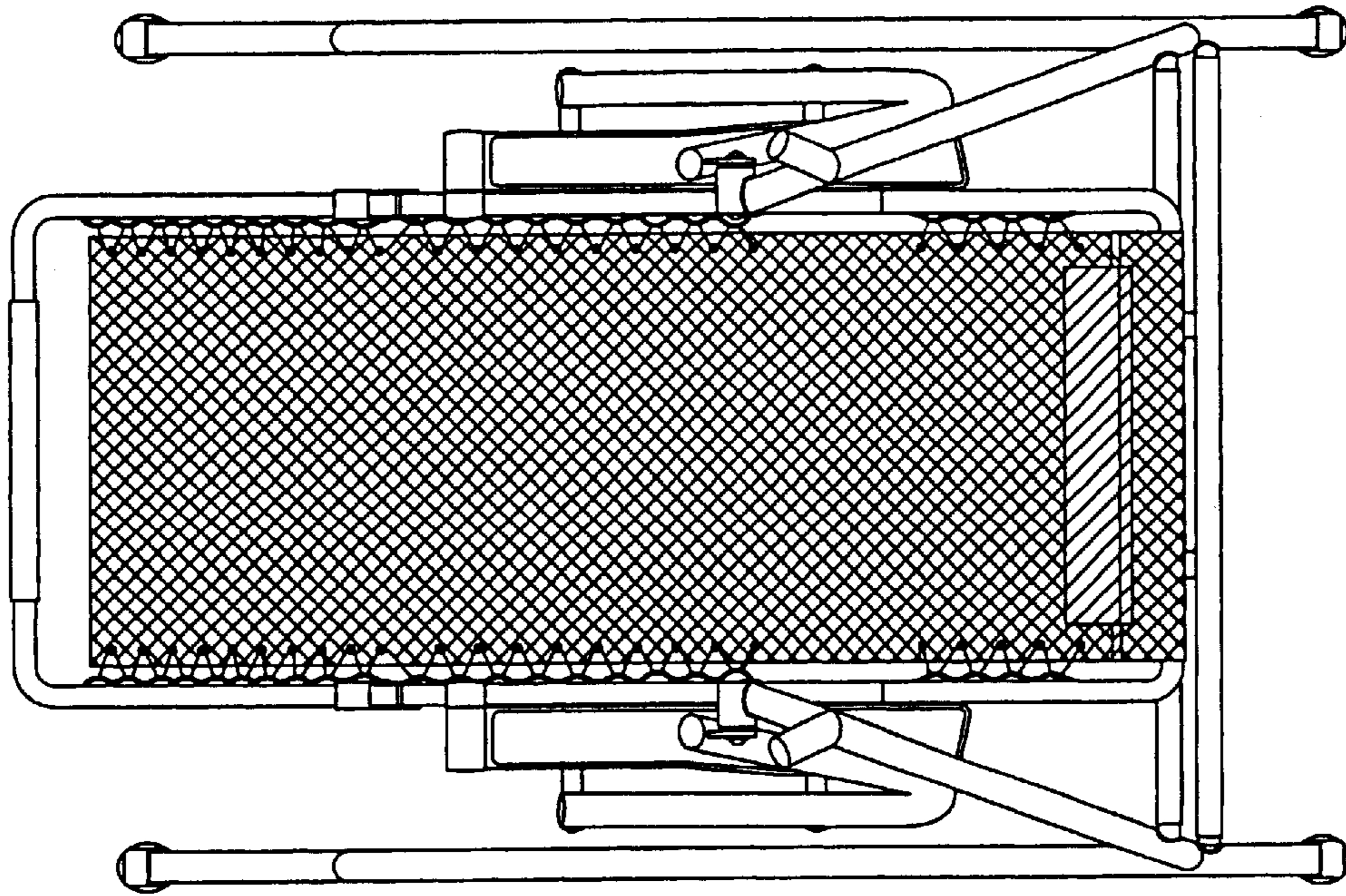


FIG. 3

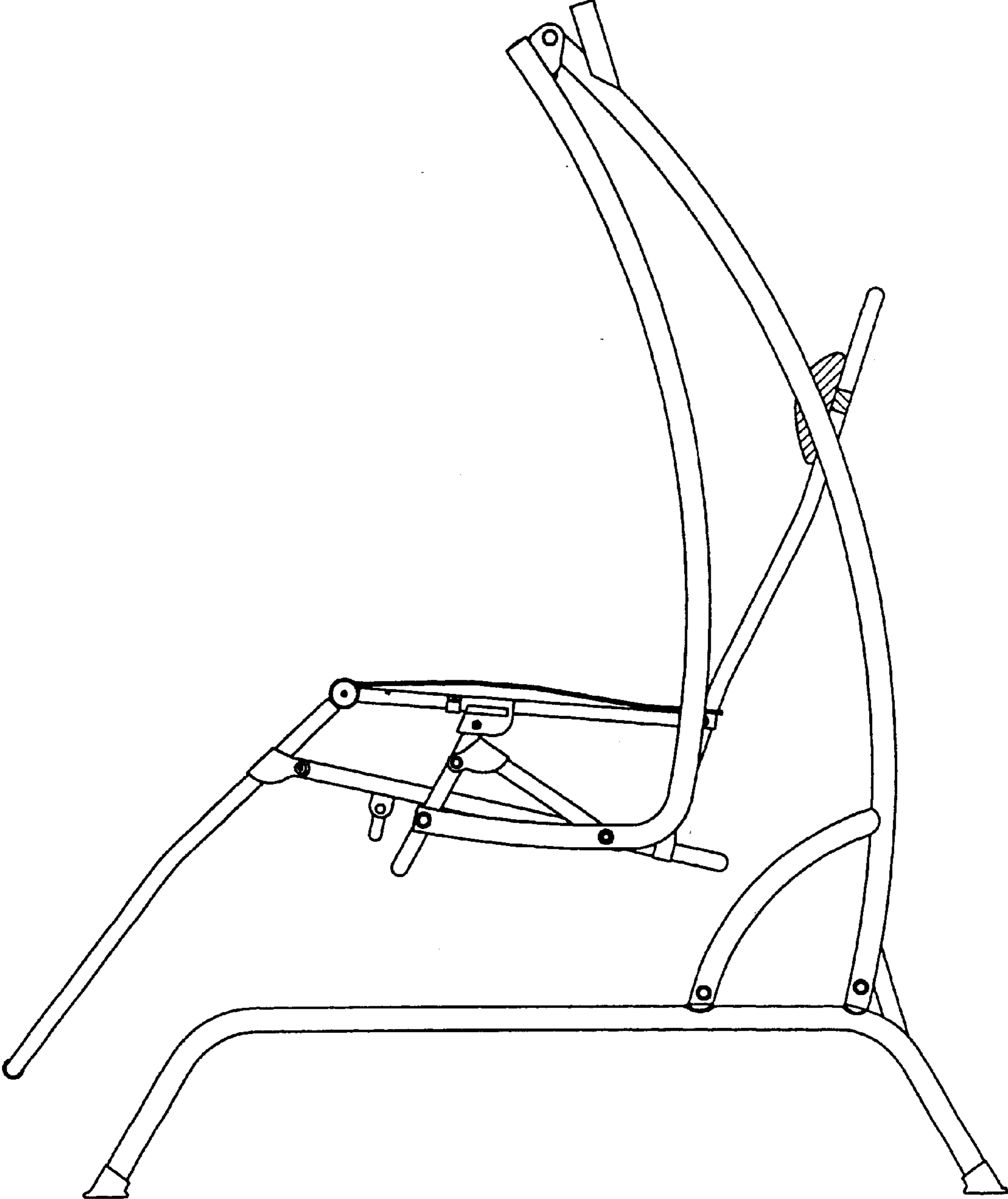


FIG. 4

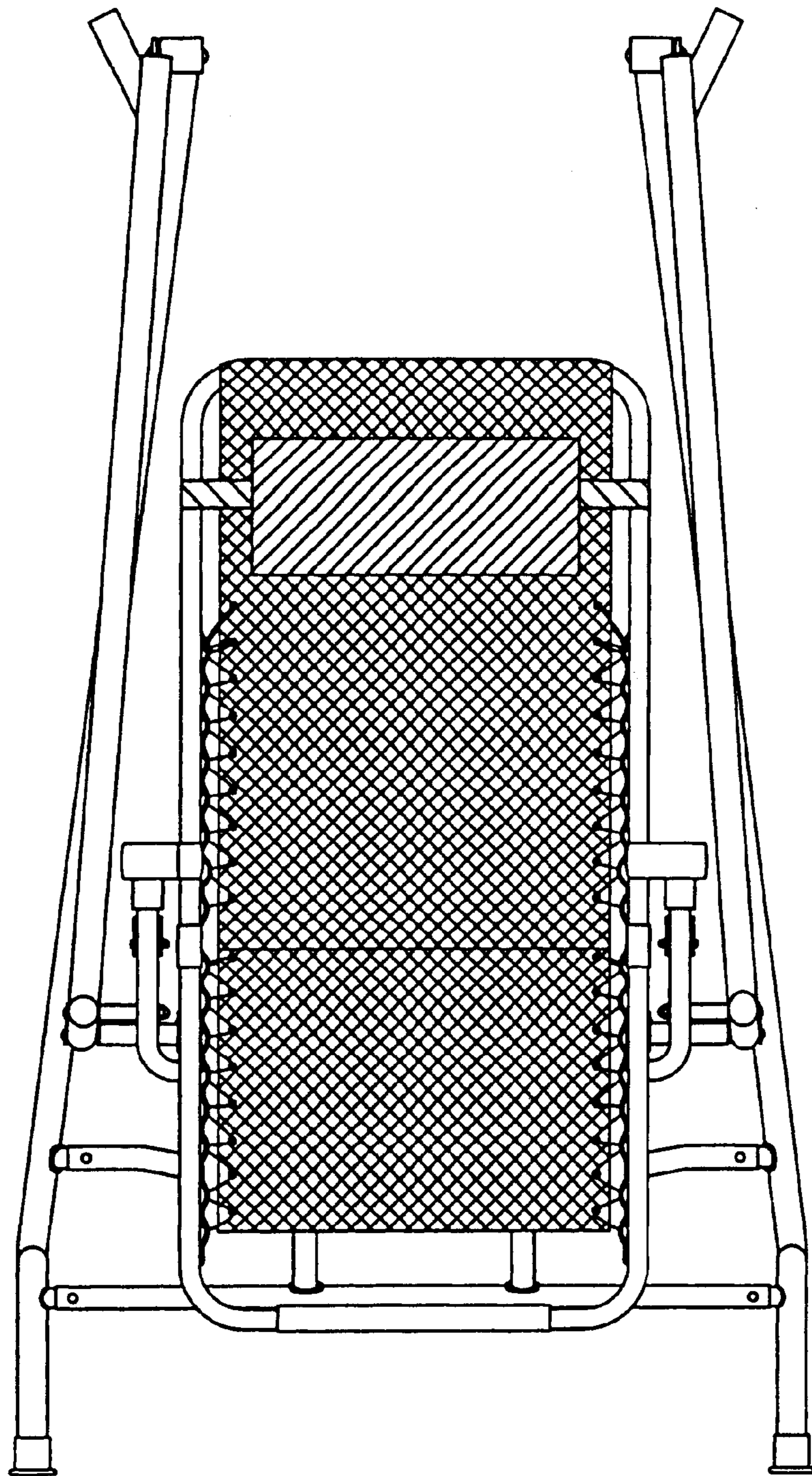


FIG. 5

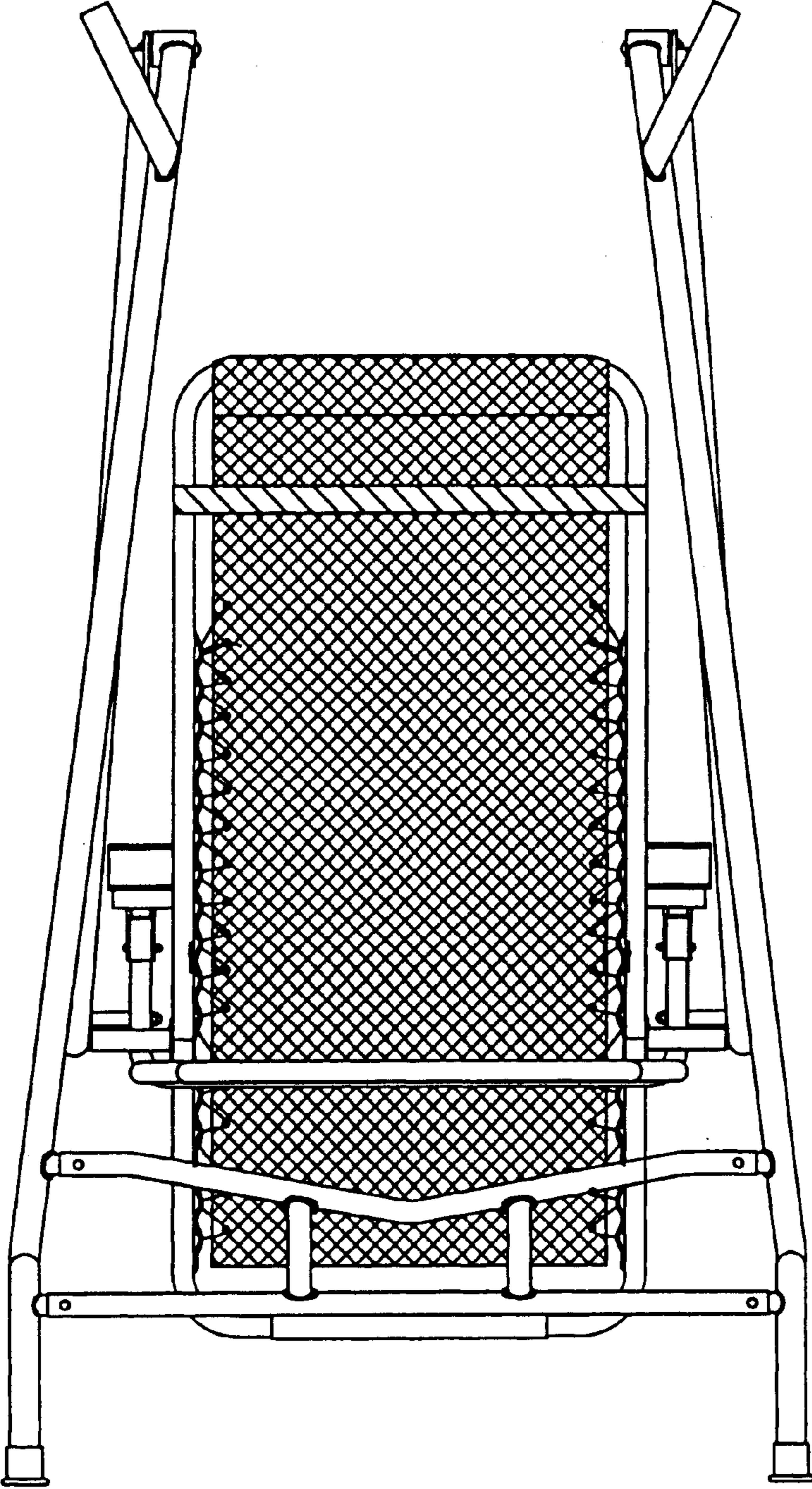


FIG. 6