



US00D522258S

(12) **United States Design Patent**  
**Foster**

(10) **Patent No.:** **US D522,258 S**  
(45) **Date of Patent:** **\*\* Jun. 6, 2006**

(54) **CHAIR**

(75) Inventor: **Norman Foster**, London (GB)

(73) Assignee: **Poltrona Frau S.p.A.**, Turin (IT)

(\*\*) Term: **14 Years**

(21) Appl. No.: **29/226,635**

(22) Filed: **Mar. 31, 2005**

(30) **Foreign Application Priority Data**

Oct. 1, 2004 (IT) ..... TO2004O0069

(51) **LOC (8) Cl.** ..... **06-01**

(52) **U.S. Cl.** ..... **D6/336**

(58) **Field of Classification Search** ..... D6/334-339,  
D6/349, 352, 364-366, 353, 369, 370, 495,  
D6/500-502, 367, 368, 379, 480, 481, 483,  
D6/484; 5/12.1; 297/445.1, 232, 446.1, 447.3,  
297/448.1, 452.1, 118, 119, 122-126; 312/235.9;  
108/11, 13, 15, 115

See application file for complete search history.

(56) **References Cited**

**U.S. PATENT DOCUMENTS**

- D149,982 S \* 6/1948 Sundberg ..... D6/373
- D150,685 S \* 8/1948 Eames ..... D6/374
- D155,272 S \* 9/1949 Eames ..... D6/374
- 2,488,222 A \* 11/1949 Morgan ..... 312/235.9
- D160,368 S \* 10/1950 Centerbar ..... D6/341
- D160,639 S \* 10/1950 Luketa ..... D6/360
- D169,930 S \* 6/1953 Chapman et al. .... D6/374
- D169,931 S \* 6/1953 Chapman et al. .... D6/374
- D171,116 S \* 12/1953 Adkinson ..... D6/374
- 2,673,593 A \* 3/1954 Hendrickson ..... 297/322
- D177,295 S \* 3/1956 Wright ..... D6/374
- D181,241 S \* 10/1957 Swanson ..... D6/374

- D195,620 S \* 7/1963 Chapman ..... D6/374
- D197,283 S \* 1/1964 Williams ..... D6/338
- 3,276,818 A \* 10/1966 Durfee ..... 297/448.1
- D206,721 S \* 1/1967 Durfee ..... D6/338
- D226,066 S \* 1/1973 Barecki ..... D6/338
- D227,832 S \* 7/1973 Leaver ..... D6/360
- D250,230 S \* 11/1978 Kotula ..... D6/341
- 4,159,846 A \* 7/1979 Tolleson ..... 297/162
- D296,625 S \* 7/1988 Mulhauser ..... D6/367
- D302,079 S \* 7/1989 Goldman ..... D6/361
- D348,569 S \* 7/1994 Haussmann ..... D6/338
- D371,912 S \* 7/1996 Peltz ..... D6/336
- D373,030 S \* 8/1996 Chen ..... D6/341
- 5,653,499 A \* 8/1997 Goodall ..... 297/170
- 5,779,305 A \* 7/1998 Hocking ..... 297/217.4
- D406,195 S \* 3/1999 Gamberini ..... D6/341
- D425,321 S \* 5/2000 Tholkes et al. .... D6/338
- D441,968 S \* 5/2001 Lin ..... D6/336
- D475,207 S \* 6/2003 Bosman et al. .... D6/338
- D505,022 S \* 5/2005 Mills et al. .... D6/338
- D507,890 S \* 8/2005 Mills et al. .... D6/336
- D507,893 S \* 8/2005 Glass et al. .... D6/360

\* cited by examiner

*Primary Examiner*—Sandra S. Snapp

(74) *Attorney, Agent, or Firm*—Nixon & Vanderhye P.C.

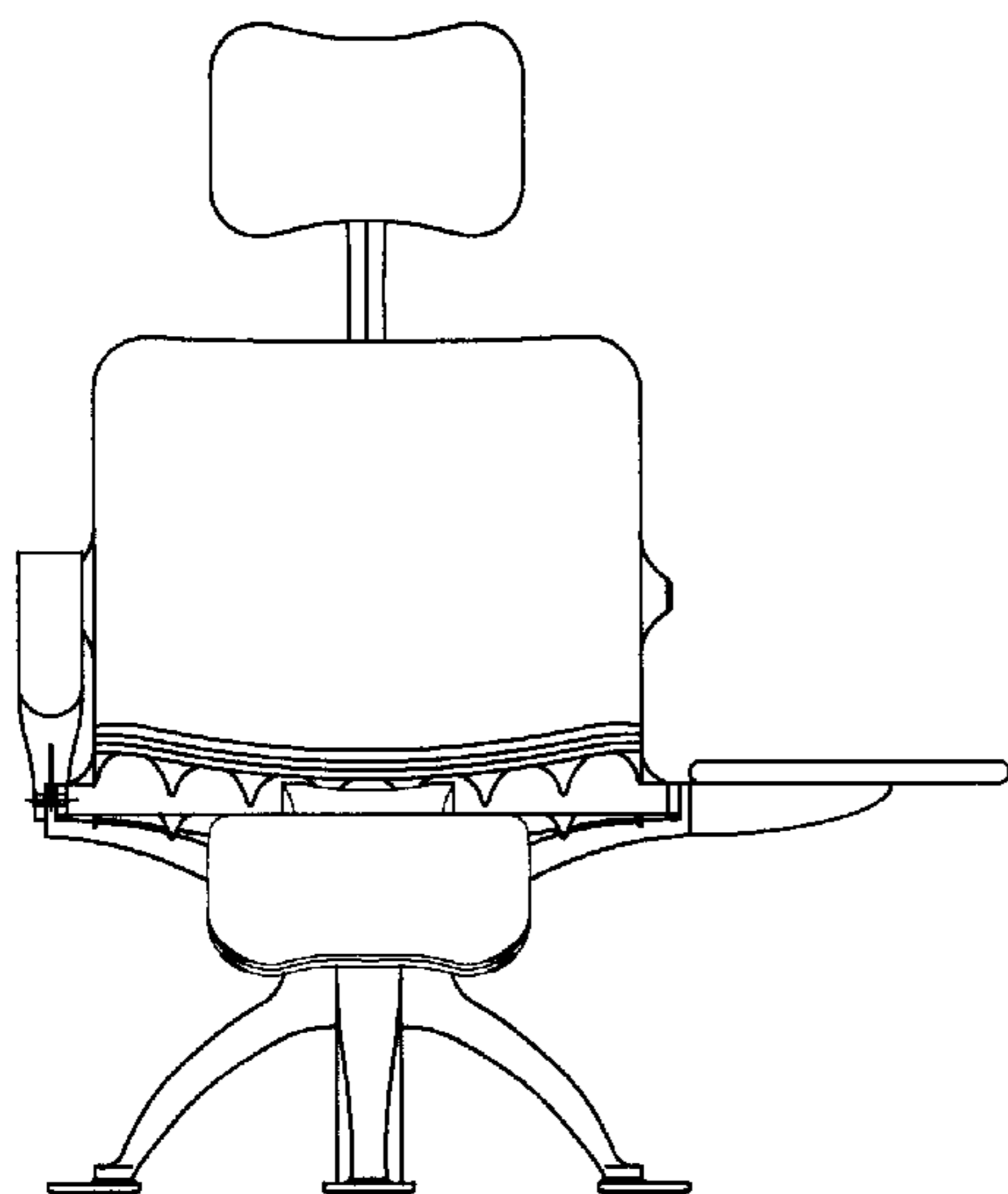
(57) **CLAIM**

The ornamental design for a “chair,” as shown and described.

**DESCRIPTION**

FIG. 1 is a front elevation view of a chair;  
FIG. 2 is a rear elevation view of a chair;  
FIG. 3 is a bottom plan view of a chair;  
FIG. 4 is a top plan view of a chair;  
FIG. 5 is a right side elevation view of a chair; and,  
FIG. 6 is a left side elevation view of a chair.

**1 Claim, 3 Drawing Sheets**



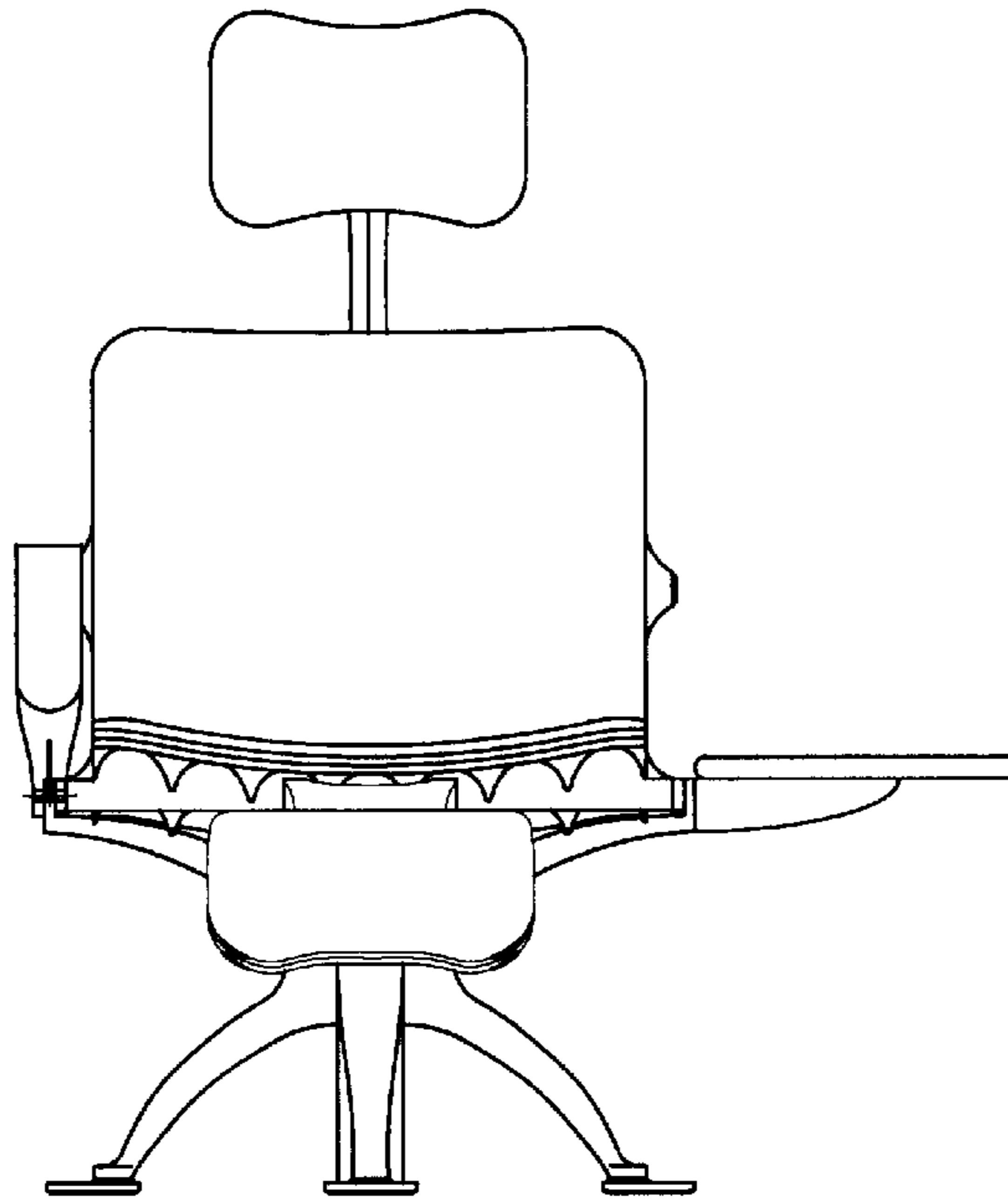


Fig. 1

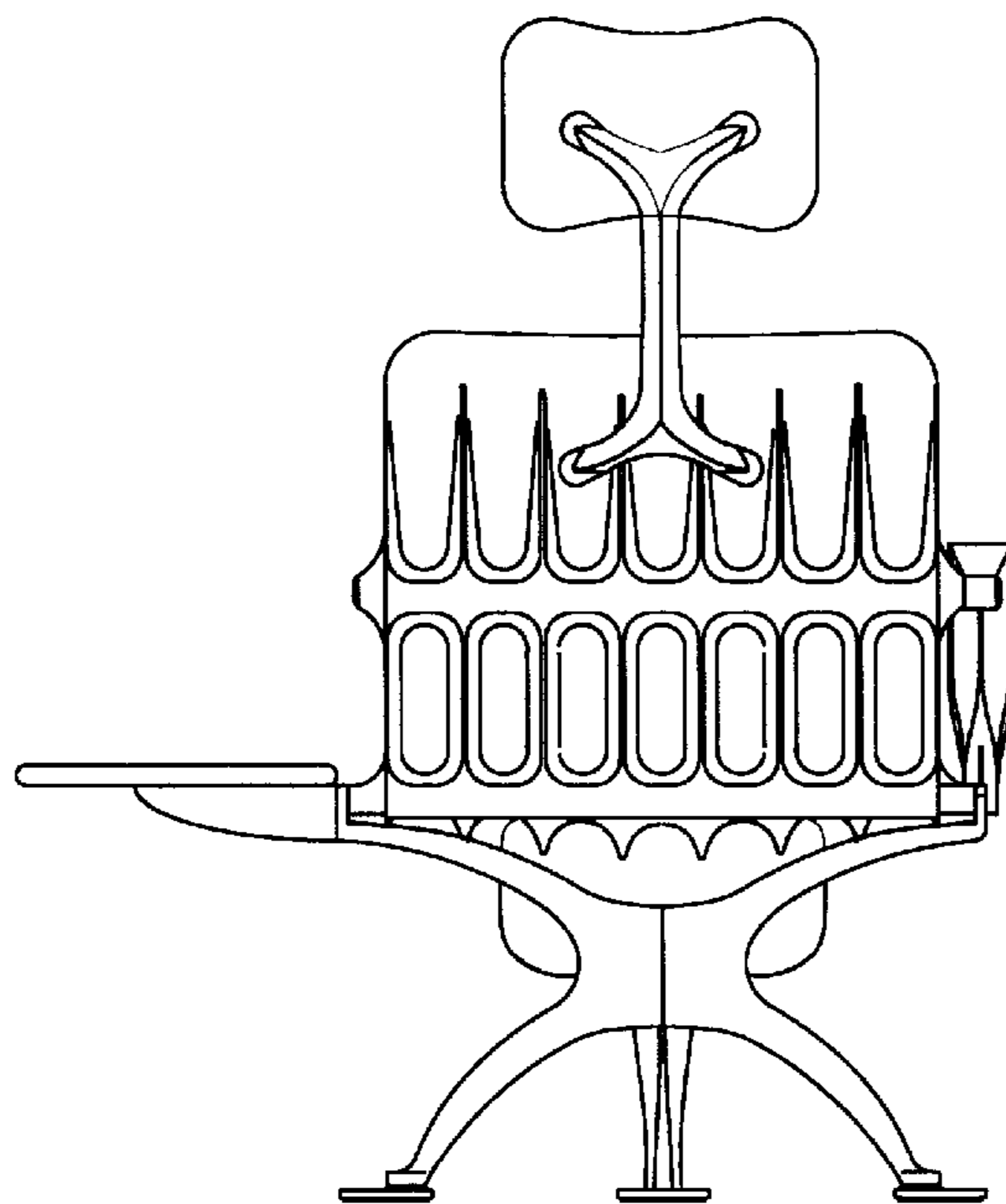


Fig. 2

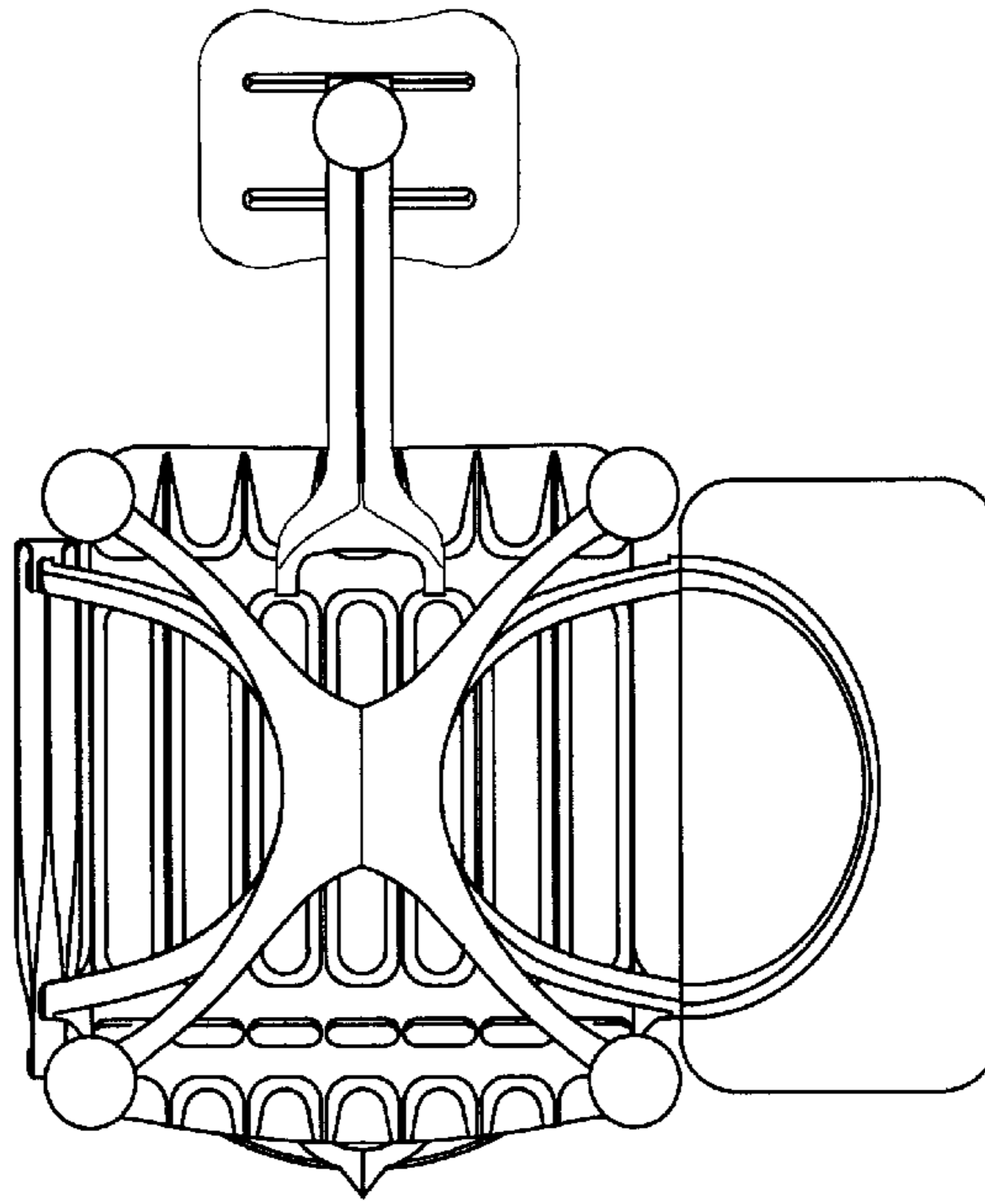


Fig. 3

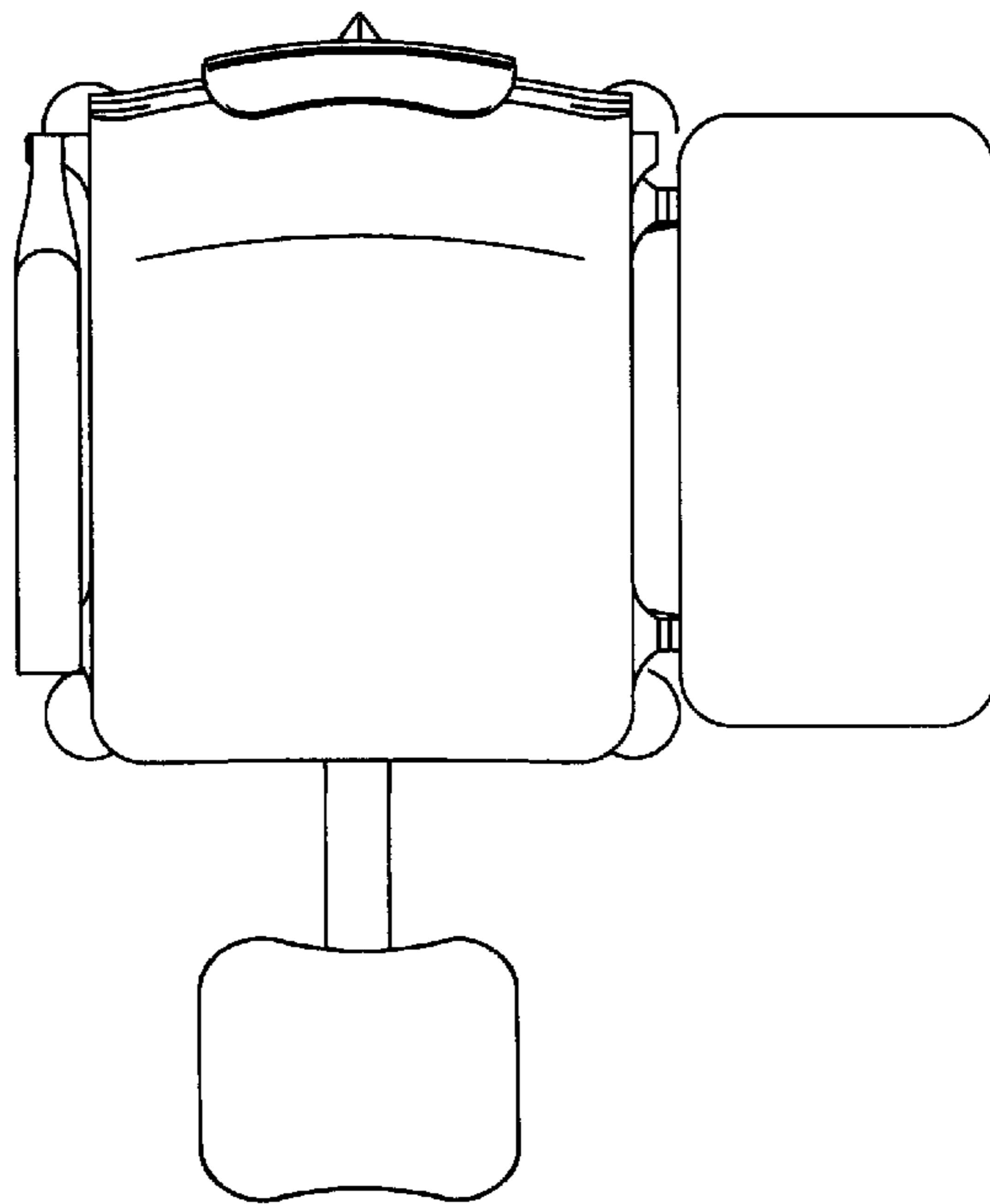


Fig. 4



Fig. 5



Fig. 6