



US00D522250S

(12) **United States Design Patent**
Rekart

(10) **Patent No.:** **US D522,250 S**

(45) **Date of Patent:** **** Jun. 6, 2006**

(54) **PAINT BRUSH FOR USE IN CORNER APPLICATIONS**

(76) Inventor: **Phillip Rekart**, 5704 W. 89th Pl., Oak Lawn, IL (US) 60453

(**) Term: **14 Years**

(21) Appl. No.: **29/199,092**

(22) Filed: **Feb. 10, 2004**

(51) **LOC (8) Cl.** **04-99**

(52) **U.S. Cl.** **D4/199**

(58) **Field of Classification Search** D4/132, D4/135, 199; 15/159.1, 160, 168, 171, 174, 15/175, 191.1, 192, 193, 194, 195, DIG. 4; 16/108

See application file for complete search history.

(56) **References Cited**

U.S. PATENT DOCUMENTS

1,319,493	A	*	10/1919	Severance	15/160
3,464,079	A		9/1969	Palmer		
3,503,089	A		3/1970	Coneway		
3,728,755	A		4/1973	Whalen		
3,761,990	A		10/1973	Lynn		
4,360,940	A		11/1982	Smith		
4,674,144	A		6/1987	Palmeri		
5,267,369	A		12/1993	O'Neil et al.		
5,293,662	A		3/1994	Newman, Sr. et al.		
5,432,972	A		7/1995	Polzin et al.		
5,544,384	A		8/1996	Forselius et al.		
D387,564	S	*	12/1997	Talbot	D4/135
D428,706	S		8/2000	Thunderchild		

* cited by examiner

Primary Examiner—Alan P. Douglas

Assistant Examiner—Lavone D. Tabor

(74) *Attorney, Agent, or Firm*—Wallenstein Wagner & Rockey, Ltd.

(57) **CLAIM**

We claim the ornamental design for a paint brush for use in corner applications, as shown and described.

DESCRIPTION

FIG. 1 is a perspective view of one embodiment of a paint brush according to the present invention;

FIG. 2 is a top plan view of the paint brush shown in FIG. 1;

FIG. 3 is a left side view of the paint brush shown in FIG. 1;

FIG. 4 is a bottom plan view of the paint brush shown in FIG. 1;

FIG. 5 is a view as seen from the end of the handle shown in FIG. 1;

FIG. 6 is a view as seen from the end of the brush head shown in FIG. 1;

FIG. 7 is a perspective view of a second embodiment of a paint brush according to the present invention;

FIG. 8 is a top plan view of the paint brush shown in FIG. 7;

FIG. 9 is a left side view of the paint brush shown in FIG. 7;

FIG. 10 is a bottom plan view of the paint brush shown in FIG. 7;

FIG. 11 is a view as seen from the end of the handle shown in FIG. 1; and,

FIG. 12 is a view as seen from the end of the brush head shown in FIG. 1.

Features shown in broken lines in the drawings are not part of the claim.

1 Claim, 2 Drawing Sheets

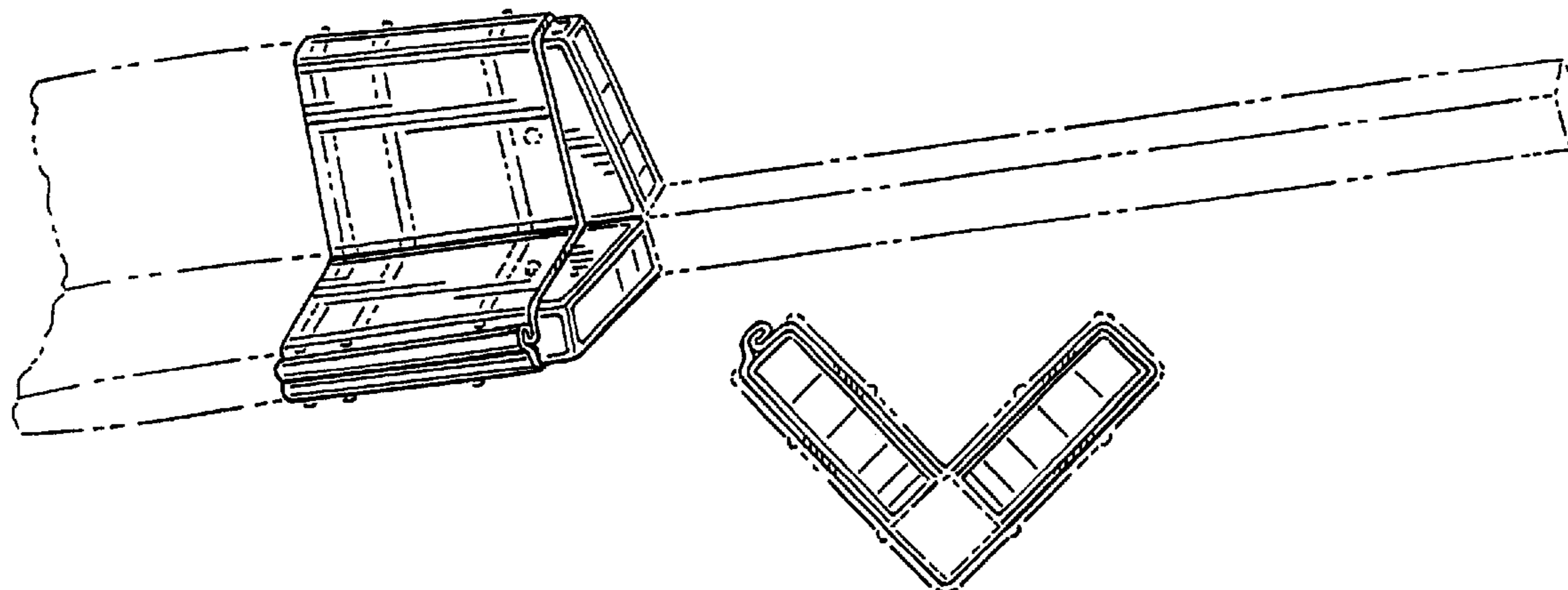


FIG. 1

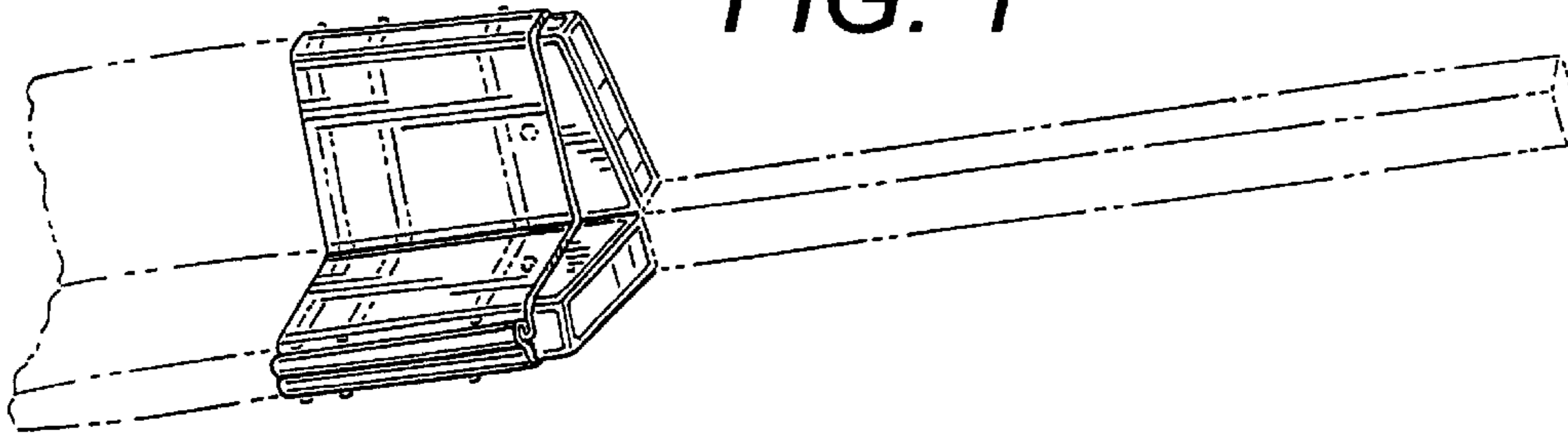


FIG. 2

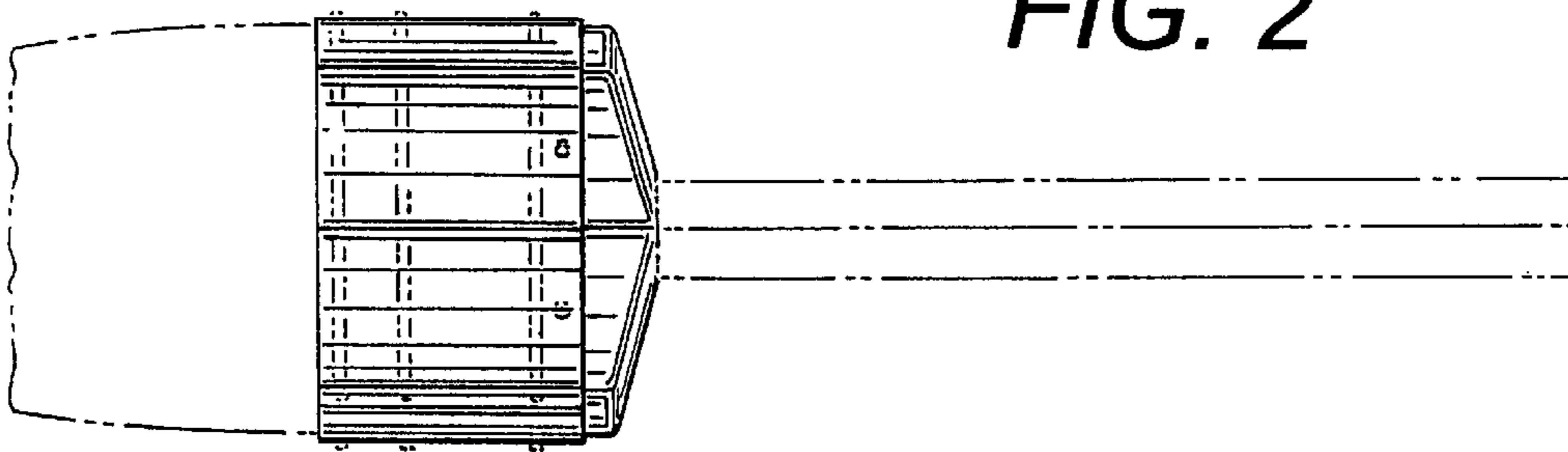


FIG. 3

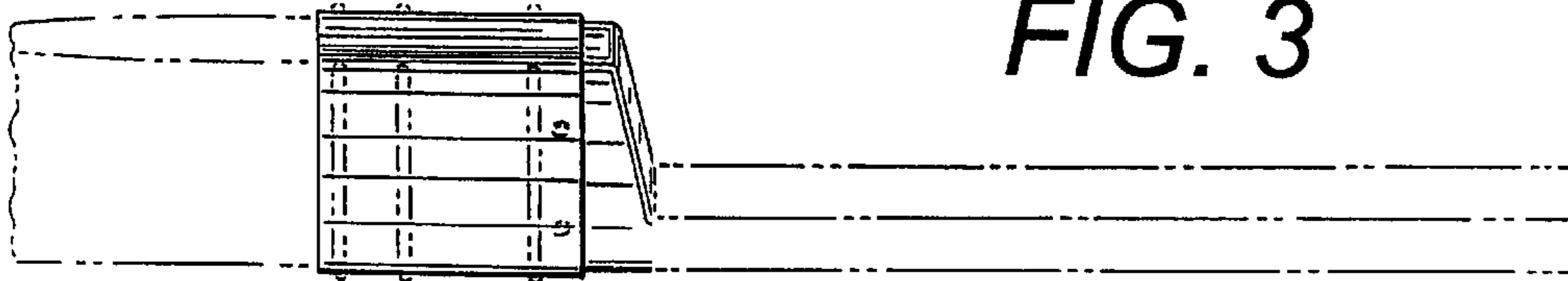


FIG. 4

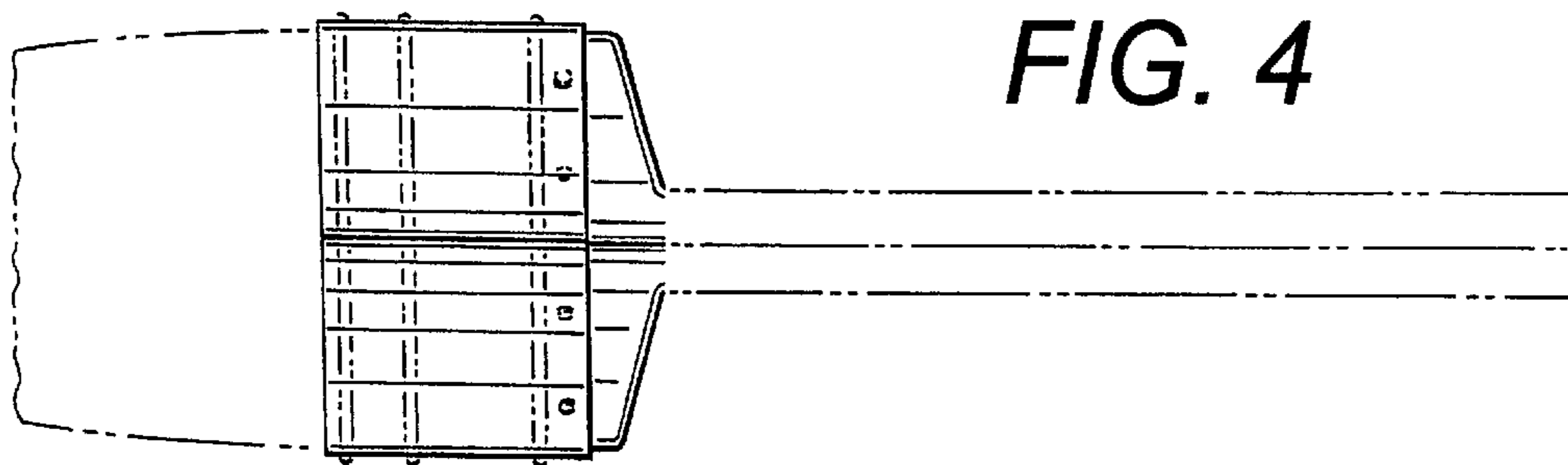


FIG. 6

FIG. 5

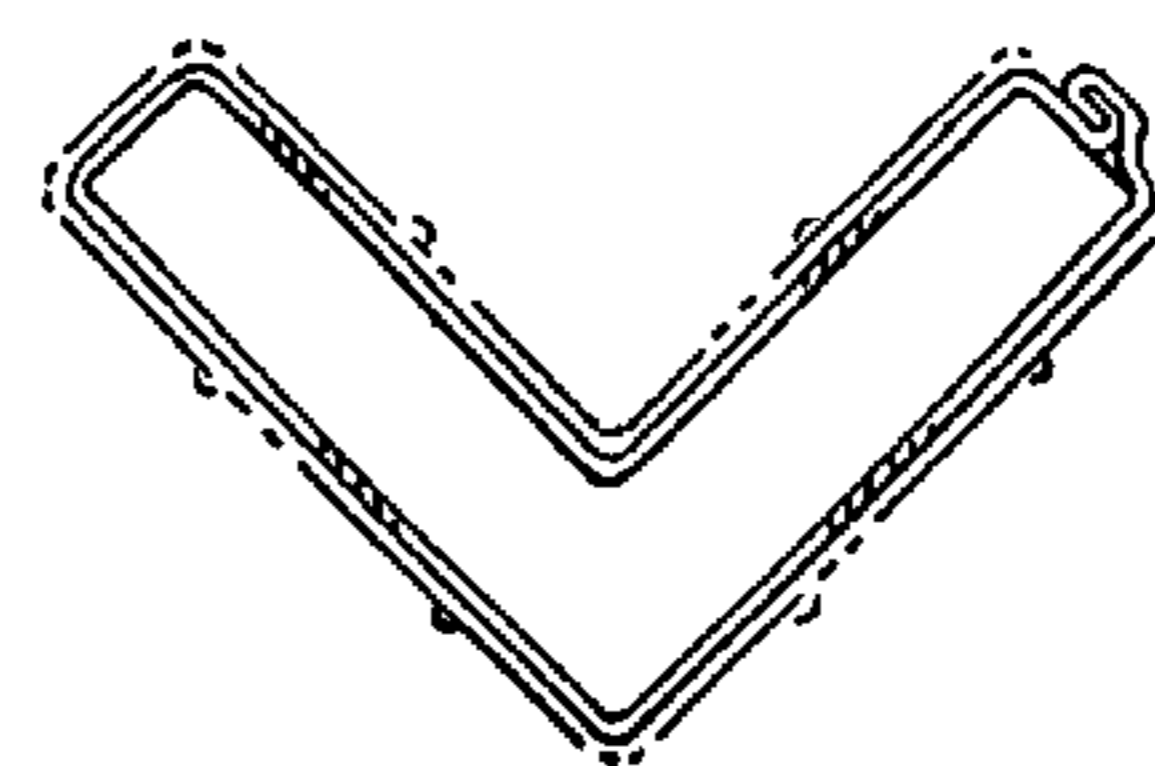
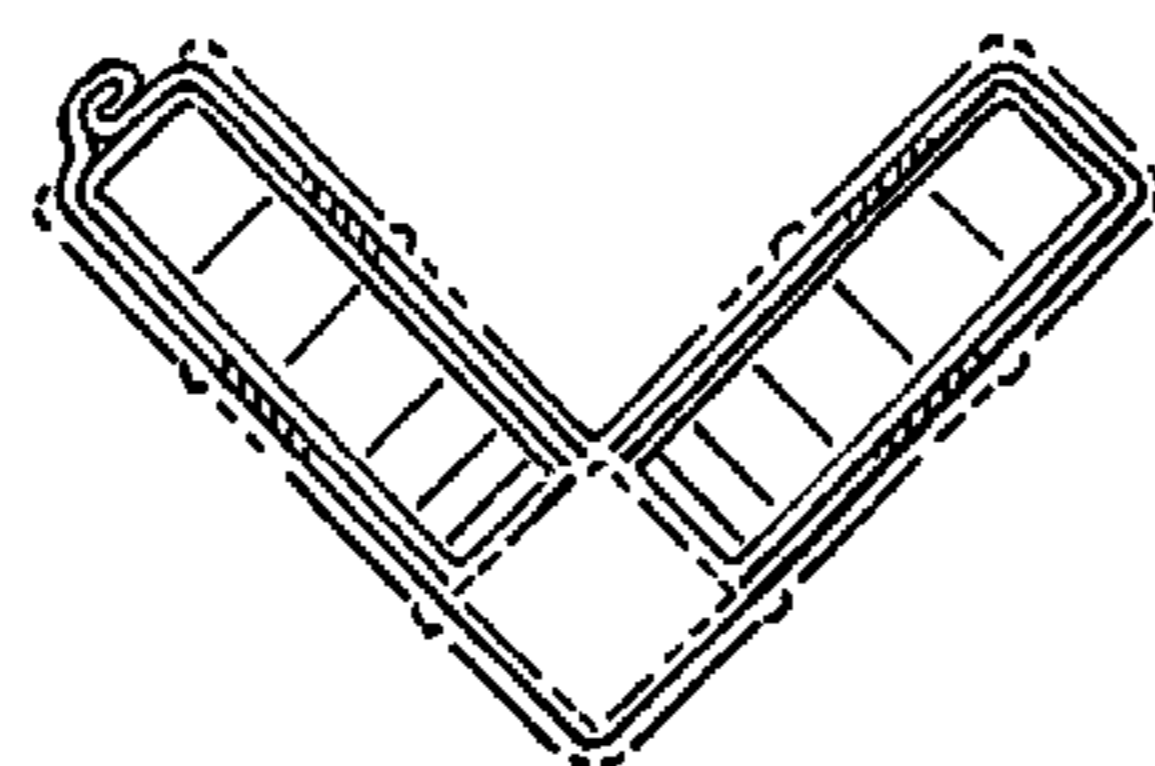


FIG. 7

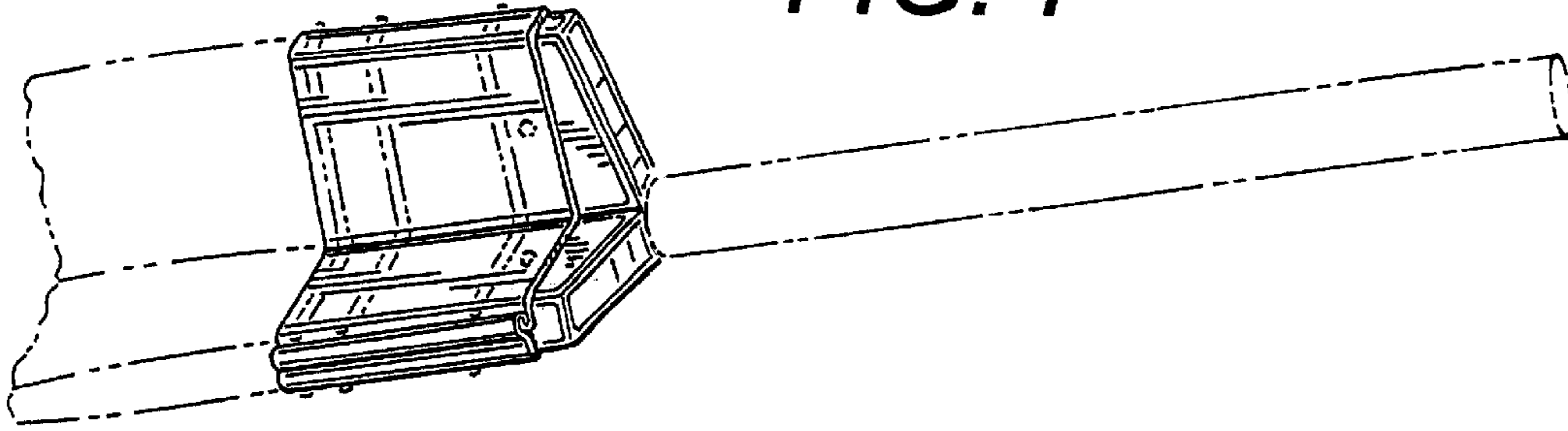


FIG. 8

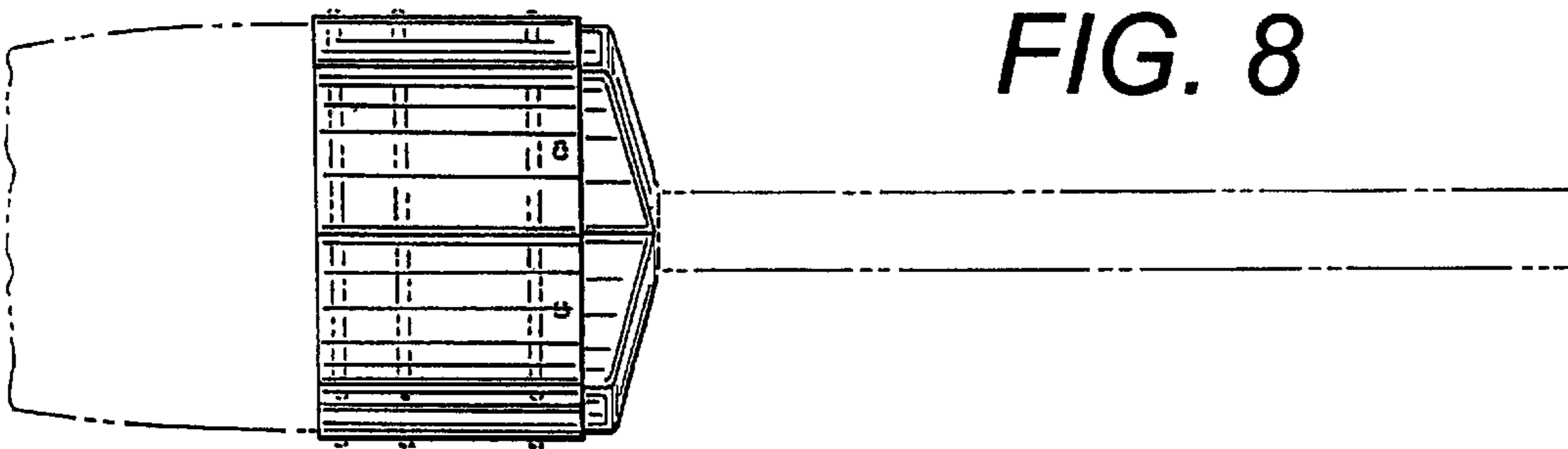


FIG. 9

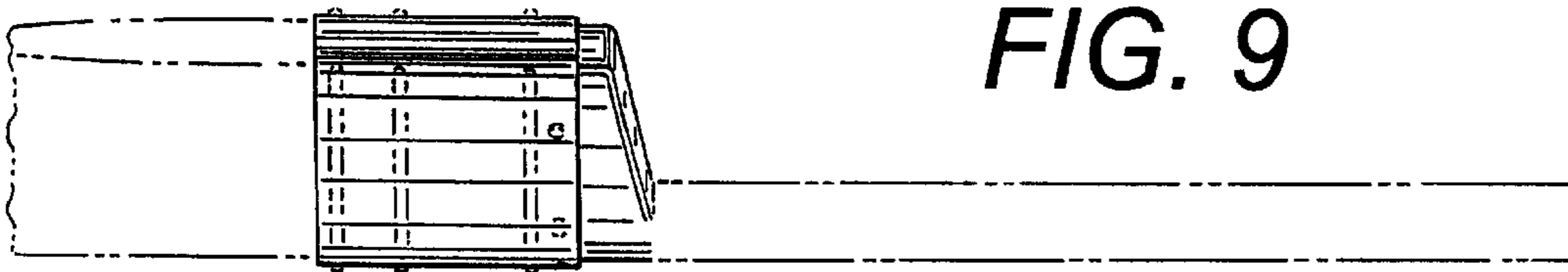


FIG. 10

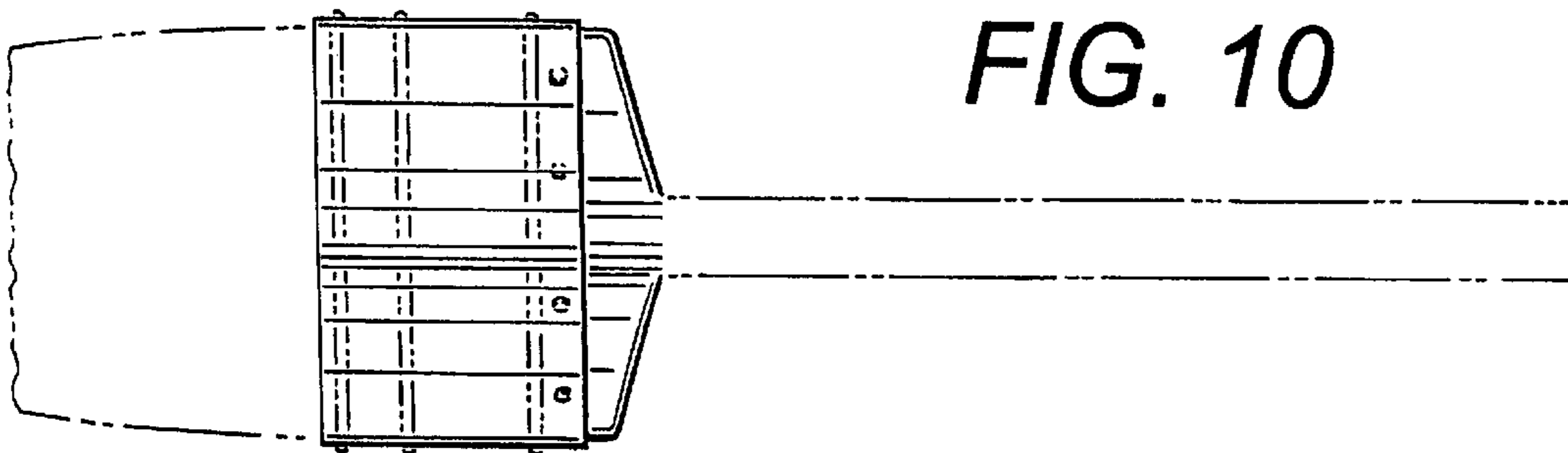


FIG. 11

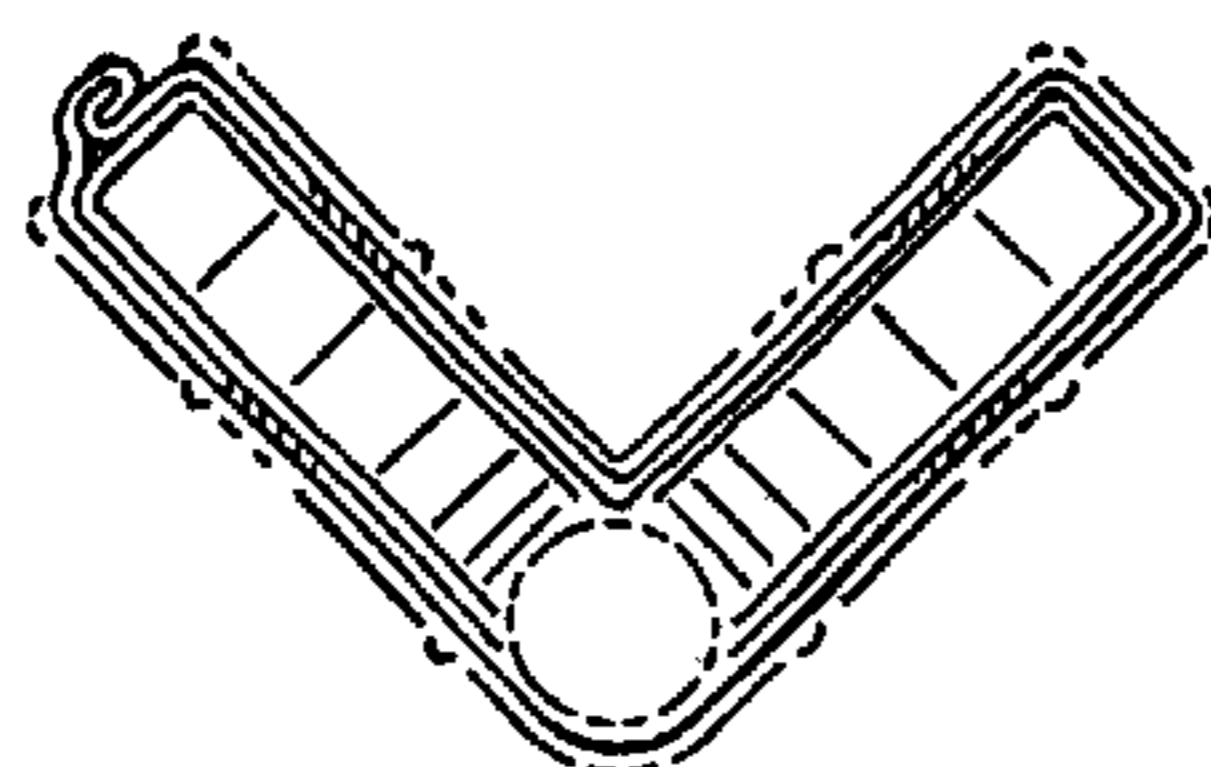


FIG. 12

