

US00D522247S

(12) **United States Design Patent**
Moore

(10) **Patent No.:** **US D522,247 S**

(45) **Date of Patent:** **** Jun. 6, 2006**

(54) **GOLF GRILL BRUSH DEVICE**

D398,156 S * 9/1998 Jovaag D4/124
D422,792 S * 4/2000 Liu D4/118

(76) Inventor: **Joseph Moore**, 1 Bradford Dr., Bella Vista, AR (US) 72714

* cited by examiner

(**) Term: **14 Years**

Primary Examiner—Alan P. Douglas

Assistant Examiner—Lavone D. Tabor

(21) Appl. No.: **29/234,272**

(74) *Attorney, Agent, or Firm*—Keisling Pieper Scott PLC; David B. Pieper; Trent C. Keisling

(22) Filed: **Jul. 15, 2005**

(57) **CLAIM**

(51) **LOC (8) Cl.** **04-01**

The ornamental design for a golf grill brush device, as shown and described.

(52) **U.S. Cl.** **D4/124; D4/127; D4/134**

(58) **Field of Classification Search** D4/124, D4/127, 132, 134, 138; 15/143.1, 159.1, 15/160, 186, 187, 191.1, 192, 193; 16/110.1, 16/430, 431, 902, DIG. 12, DIG. 18, DIG. 19; D28/7, 63; D21/795

DESCRIPTION

See application file for complete search history.

FIG. 1 is a top isometric view of a golf grill brush device showing my new design.

FIG. 2 is a top view thereof;

FIG. 3 is a right side view thereof, the left side view being a mirror image thereof;

FIG. 4 is a bottom view thereof;

FIG. 5 is a front view thereof; and,

FIG. 6 is a back view thereof.

(56) **References Cited**

U.S. PATENT DOCUMENTS

D189,235 S * 11/1960 Racina D4/134
D349,193 S * 8/1994 Sloan et al. D4/118
D372,585 S * 8/1996 Zoccolillo et al. D4/124

1 Claim, 1 Drawing Sheet

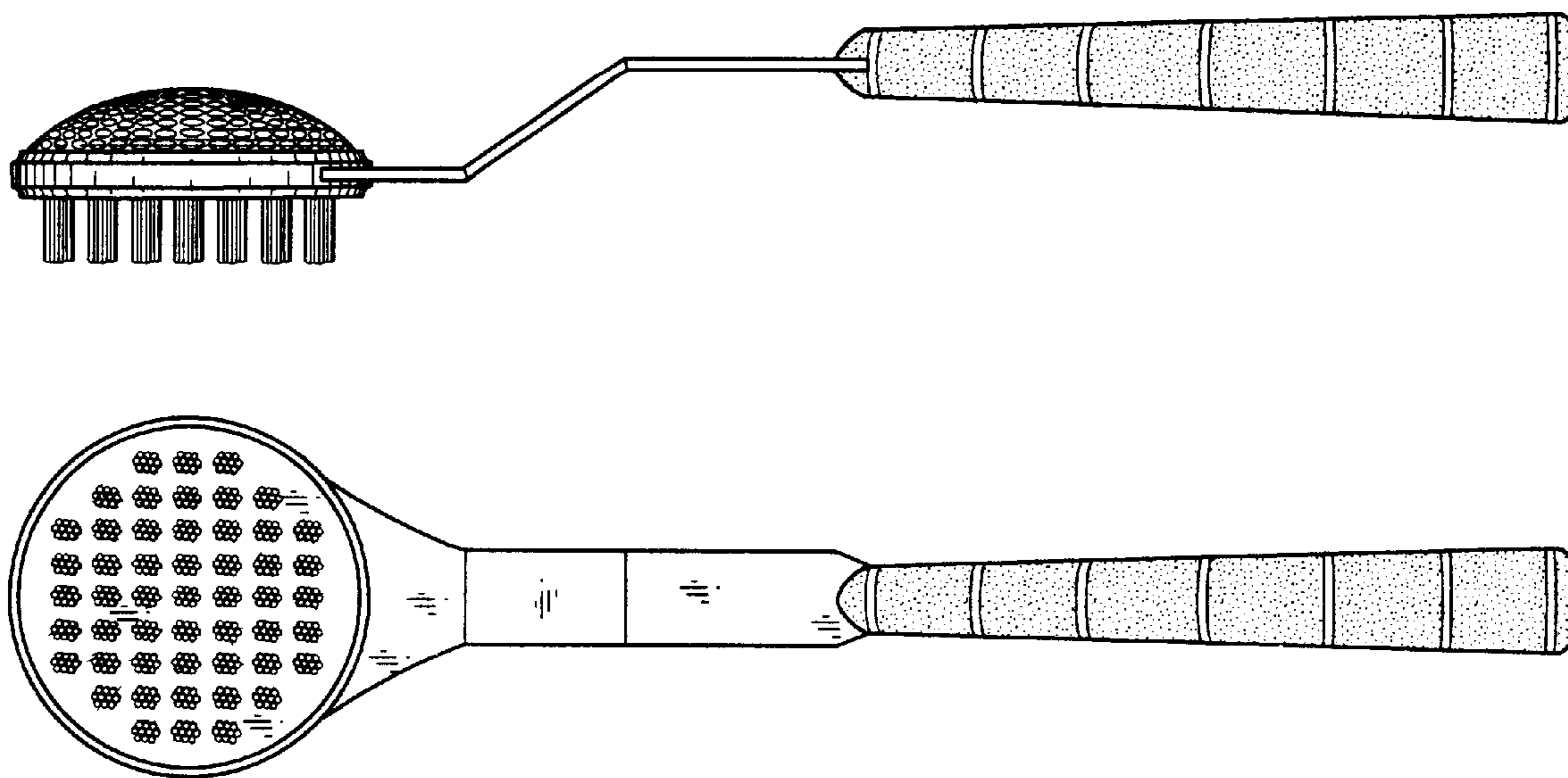


FIG. 1

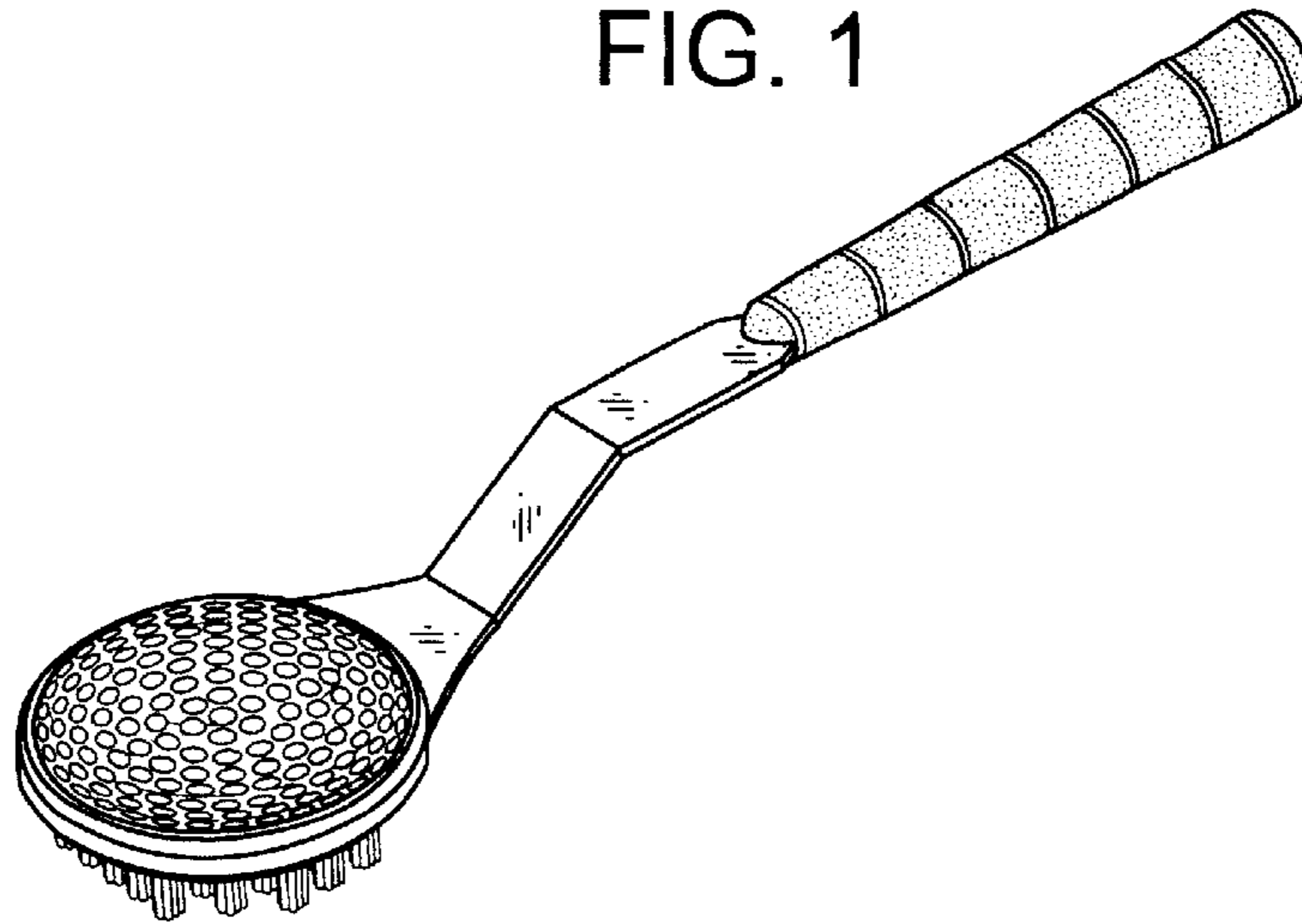


FIG. 2

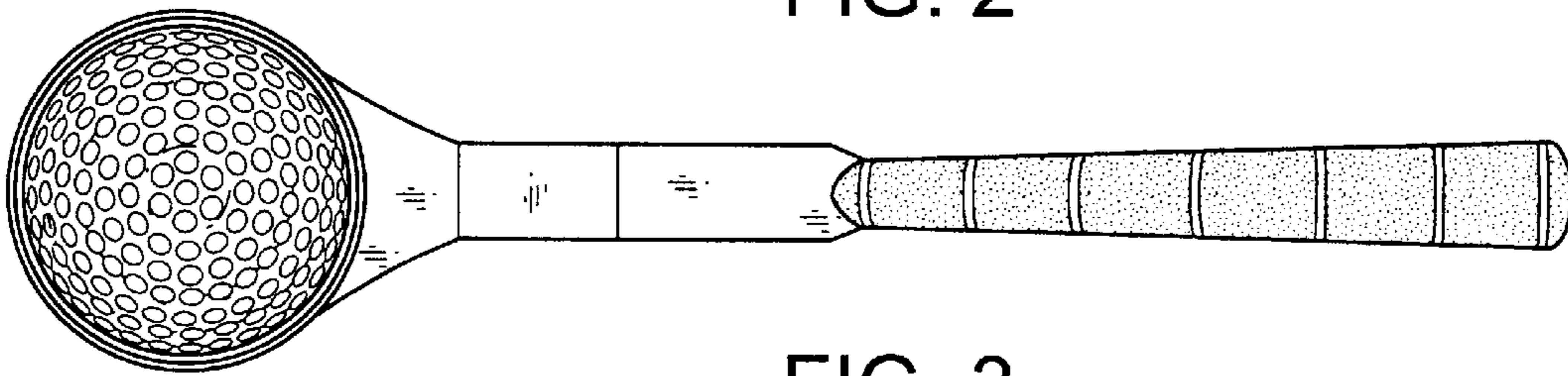


FIG. 3

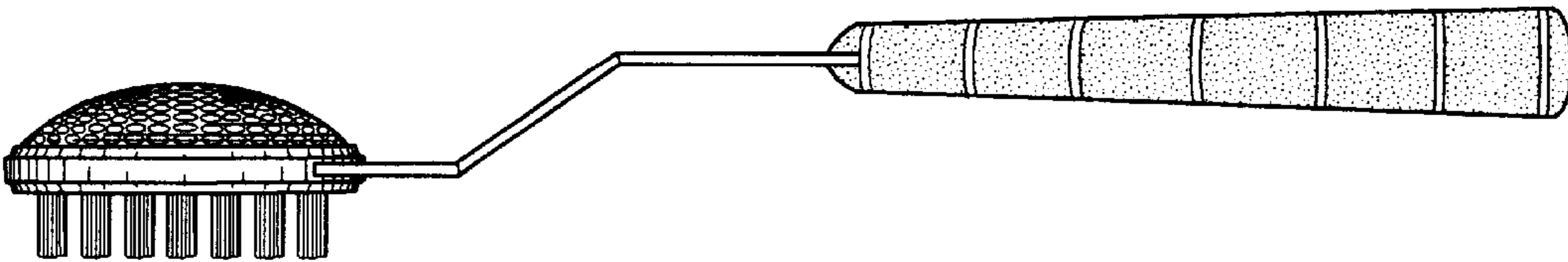


FIG. 4

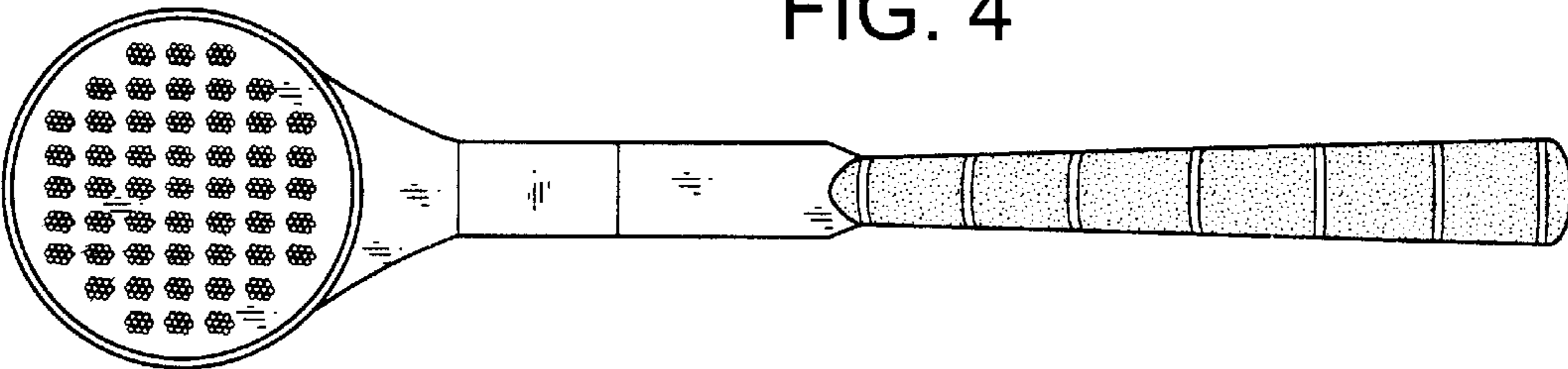


FIG. 5

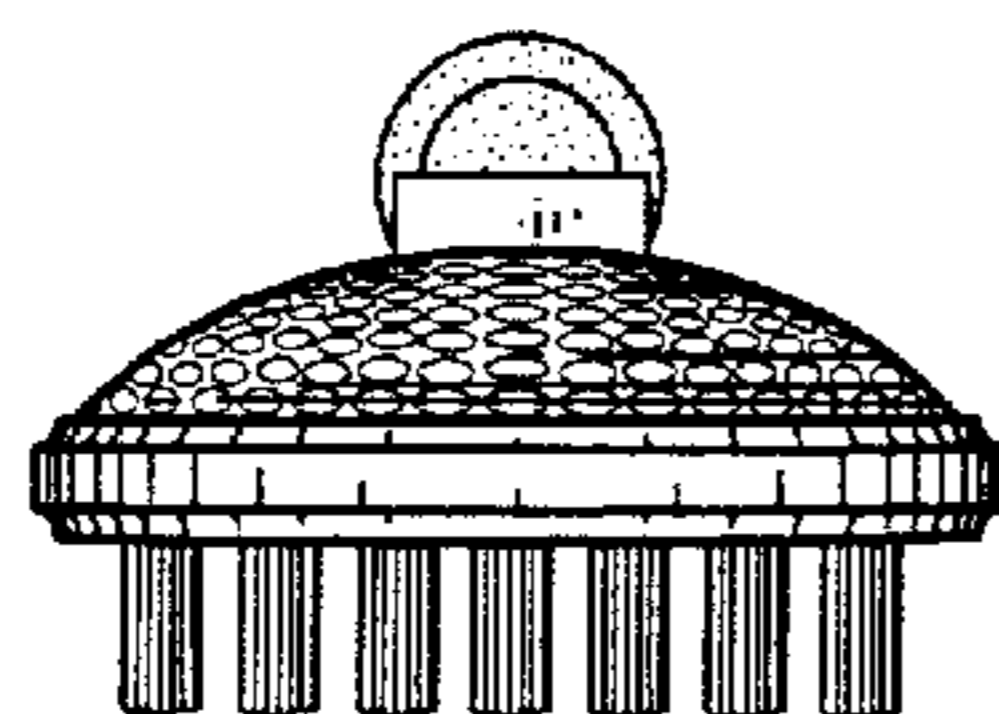


FIG. 6

