

US00D522246S

(12) **United States Design Patent**
Franczak et al.

(10) **Patent No.:** **US D522,246 S**
(45) **Date of Patent:** **** Jun. 6, 2006**

(54) **BARBECUE GRILL OILER**

(75) Inventors: **Richard M. Franczak**, Perth Amboy, NJ (US); **Michael J. LaSalle**, Freehold, NJ (US); **Francis E. McCullion, Jr.**, Old Bridge, NJ (US)

(73) Assignee: **LAMCON, A New Jersey Partnership**, Old Bridge, NJ (US)

(**) Term: **14 Years**

(21) Appl. No.: **29/223,080**

(22) Filed: **Feb. 8, 2005**

(51) **LOC (8) Cl.** **04-01**

(52) **U.S. Cl.** **D4/119**

(58) **Field of Classification Search** D4/119-121, D4/132, 134, 137, 138; D32/42, 51; 15/106, 15/107, 114, 118, 143.1, 144.1, 144.2, 159.1, 15/160, 244.1, 244.2

See application file for complete search history.

(56) **References Cited**

U.S. PATENT DOCUMENTS

77,035 A * 4/1868 Hacker 15/114

D171,592 S * 3/1954 Gore D4/119
2,879,532 A * 3/1959 Szabo et al. 15/114 X
2,991,494 A * 7/1961 Smith 15/106 X
D451,288 S * 12/2001 Bean et al. D4/121

* cited by examiner

Primary Examiner—Alan P. Douglas

Assistant Examiner—Lavone D. Tabor

(74) *Attorney, Agent, or Firm*—Robert M. Skolnik

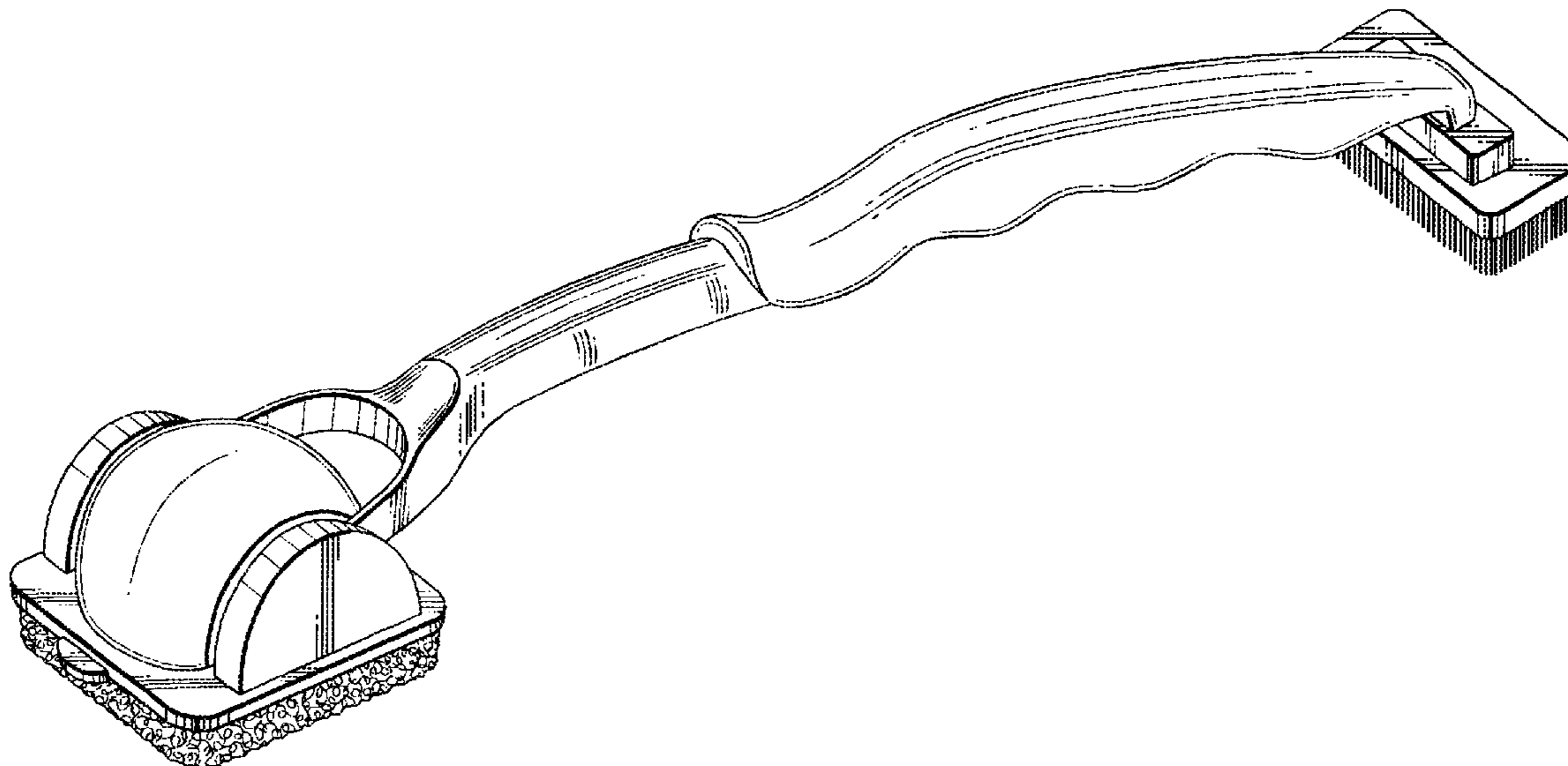
(57) **CLAIM**

The ornamental design for a barbecue grill oiler, as shown and described.

DESCRIPTION

FIG. 1 is perspective view of my new design;
FIG. 2 is a front view thereof;
FIG. 3 is a side view thereof;
FIG. 4 is a side view thereof; and
FIG. 5 is a rear view thereof;
FIG. 6 is a top plan view thereof; and,
FIG. 7 is a bottom plan view thereof.

1 Claim, 7 Drawing Sheets



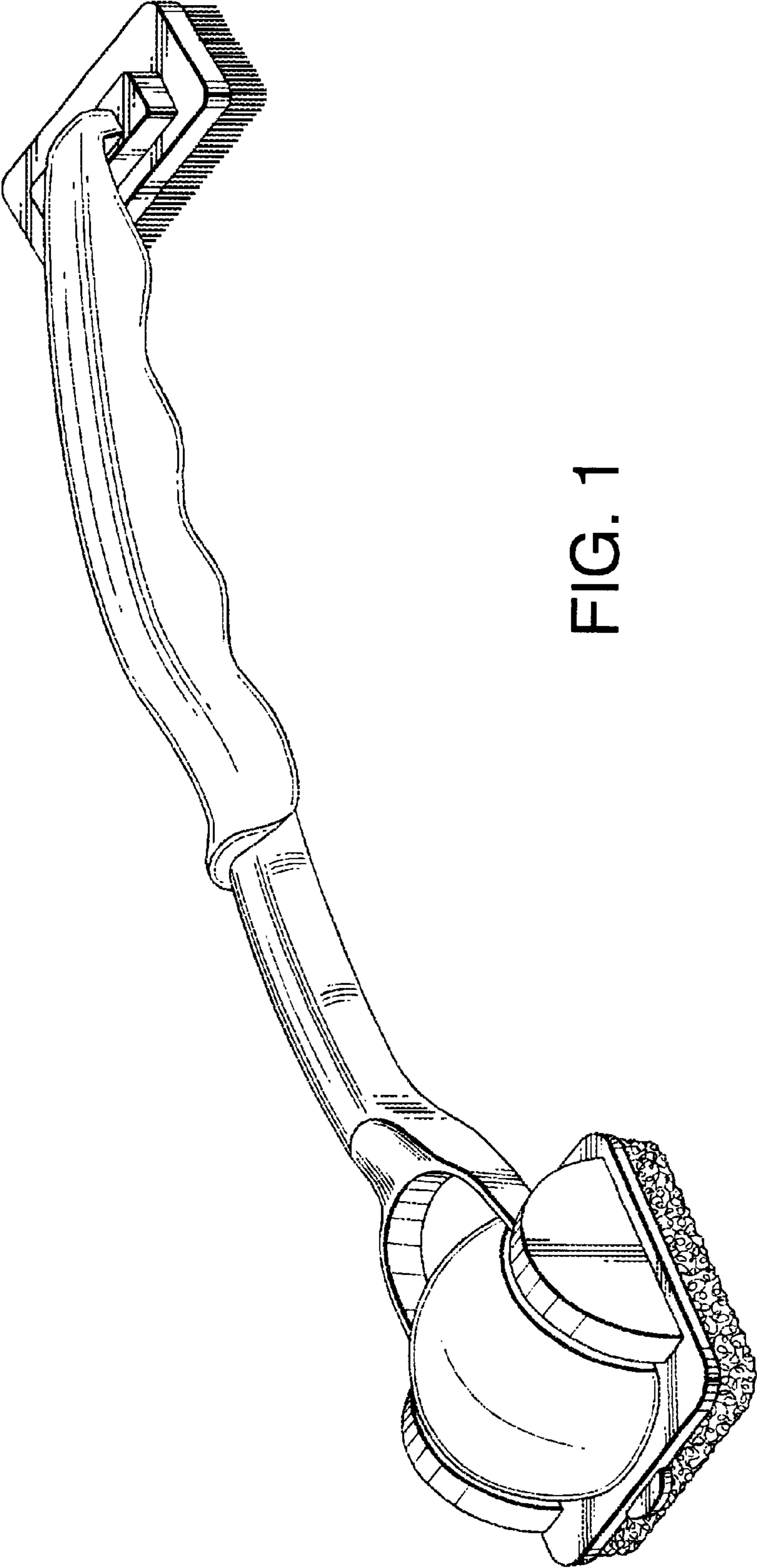


FIG. 1

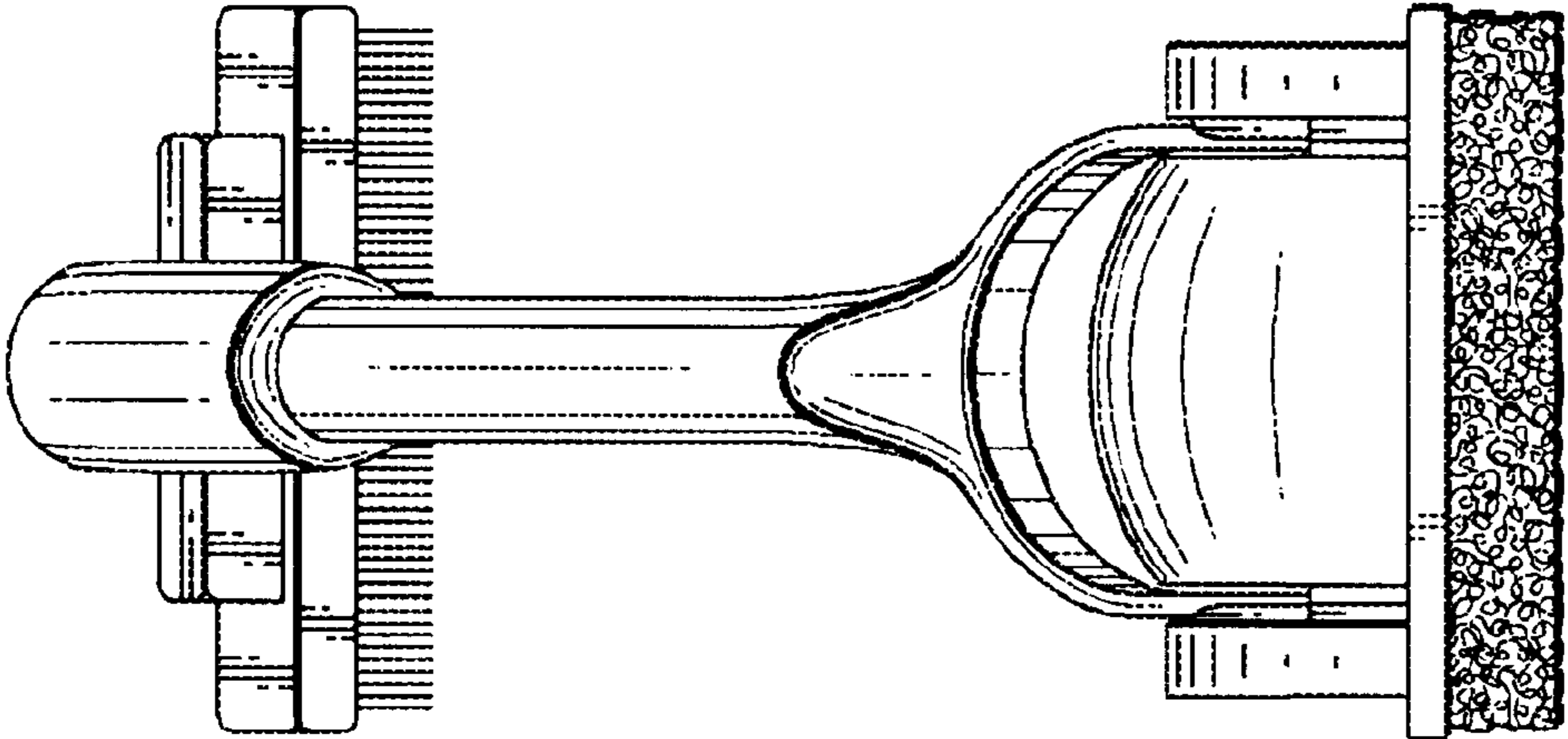


FIG. 2

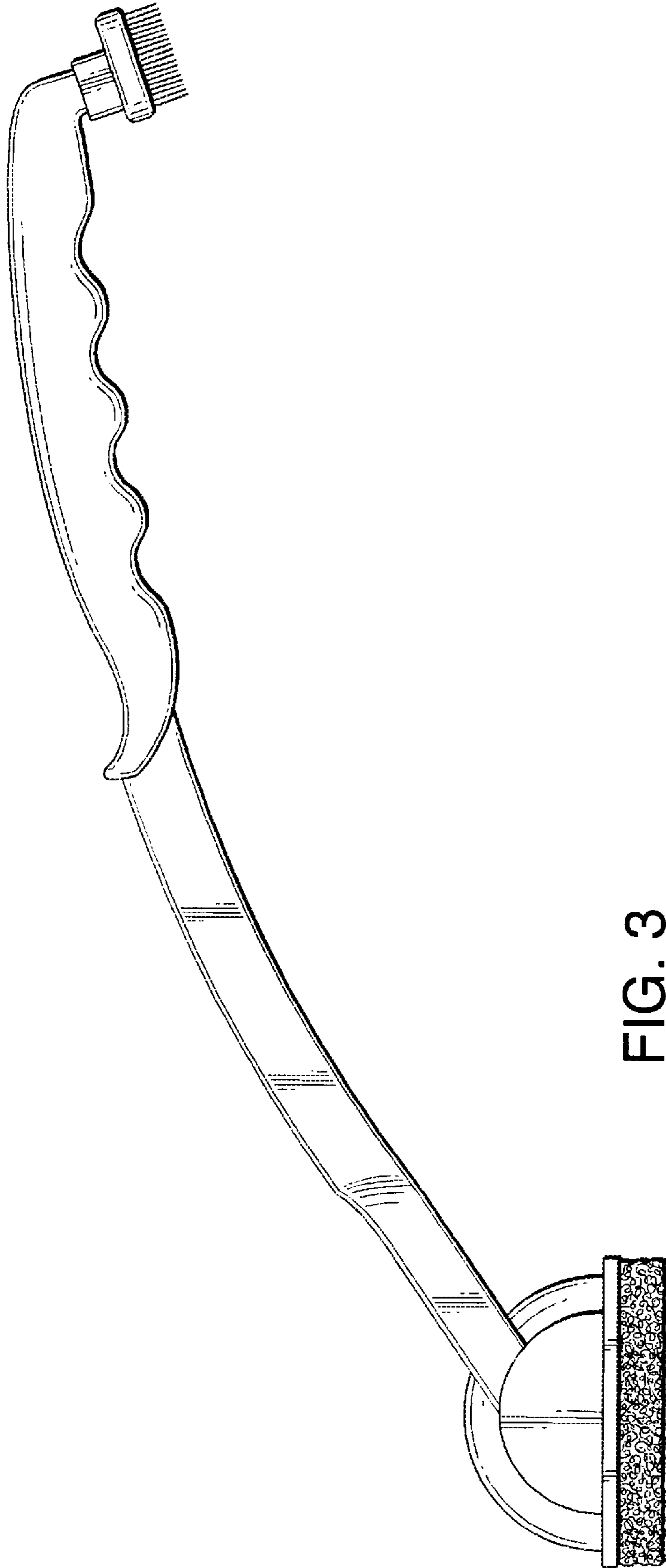


FIG. 3

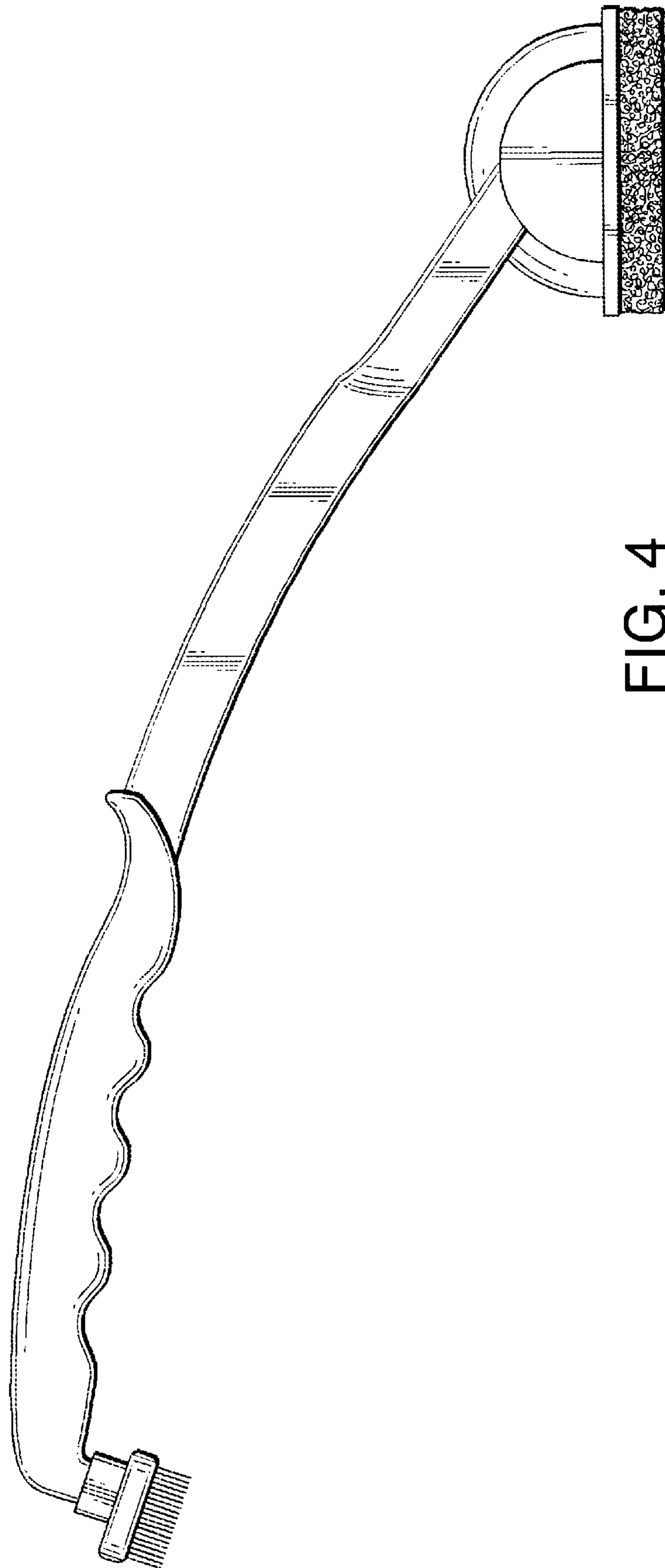


FIG. 4

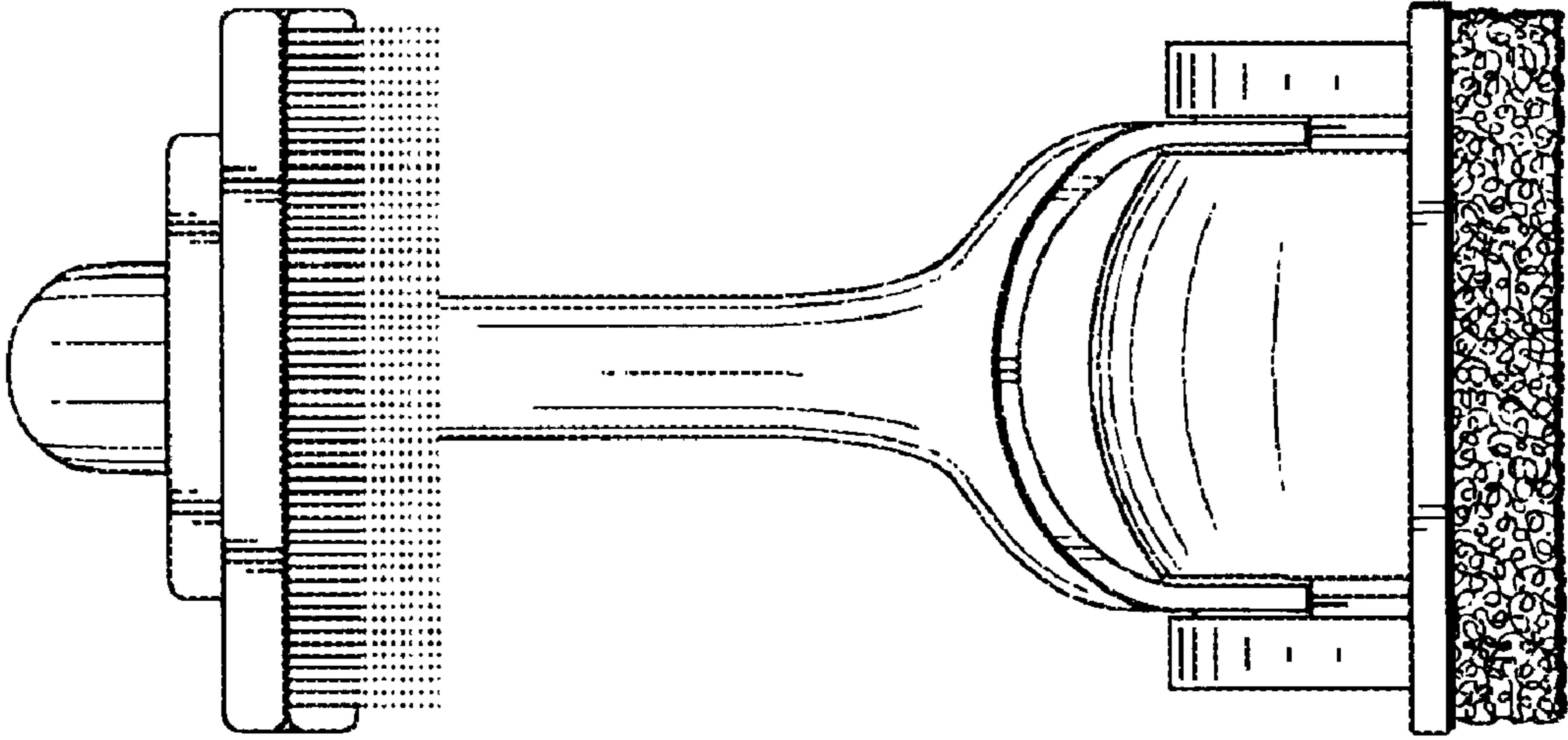


FIG. 5

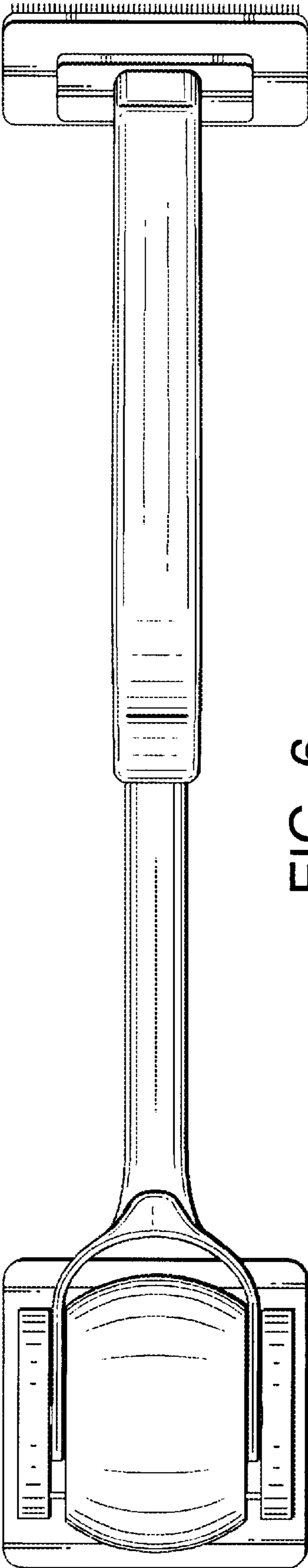


FIG. 6

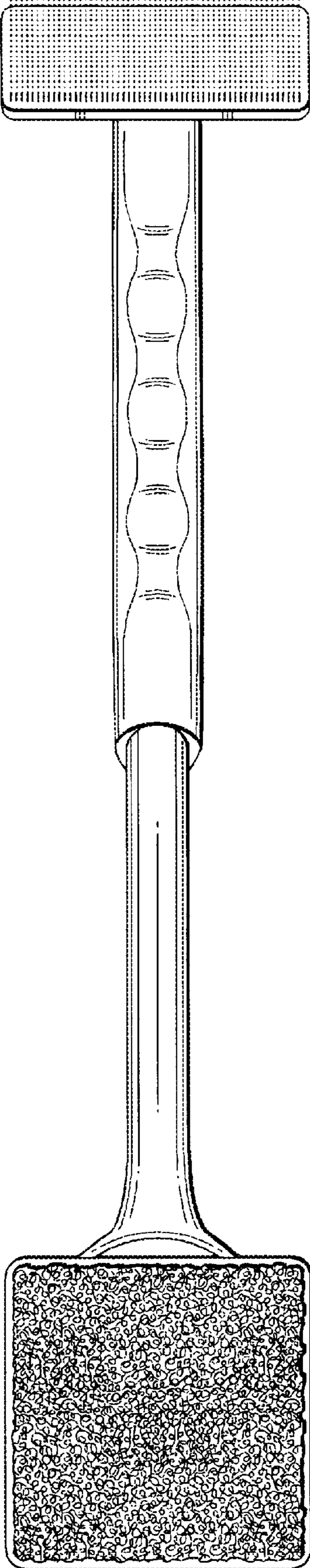


FIG. 7