



US00D522245S

(12) **United States Design Patent**  
**Yoshiguchi**

(10) **Patent No.:** **US D522,245 S**  
(45) **Date of Patent:** **\*\* Jun. 6, 2006**

- (54) **PAD FOR A BAG**
- (75) Inventor: **Manabu Yoshiguchi**, Kamakura (JP)
- (73) Assignee: **NIFCO Inc.**, Yokohama (JP)
- (\*\*) Term: **14 Years**
- (21) Appl. No.: **29/222,767**
- (22) Filed: **Feb. 4, 2005**
- (30) **Foreign Application Priority Data**  
Aug. 5, 2004 (JP) ..... 2004-023593
- (51) **LOC (8) Cl.** ..... **03-01**
- (52) **U.S. Cl.** ..... **D3/327**
- (58) **Field of Classification Search** ..... 190/100,  
190/119, 125, 127, 109, 110, 900-903, 115,  
190/102; 150/117, 127, 108; 224/42.11, 236,  
224/429, 430, 609, 436, 439, 257, 258, 264,  
224/150, 910, 643, 642; 383/907, 38; D3/287,  
D3/318, 201; 206/315.1; D2/626, 639, 640  
See application file for complete search history.

(56) **References Cited**

**U.S. PATENT DOCUMENTS**

1,631,694	A	*	6/1927	Rick	.....	224/264
D235,460	S	*	6/1975	Lovelace et al.	.....	D3/327
D302,607	S	*	8/1989	Krebs et al.	.....	D29/122
4,978,044	A	*	12/1990	Silver	.....	224/601
D325,470	S	*	4/1992	Harms	.....	D3/327
5,125,219	A	*	6/1992	Sligo	.....	54/23
D332,864	S	*	2/1993	Hansen	.....	D2/639
D337,197	S	*	7/1993	Krutsch et al.	.....	D3/327
D338,552	S	*	8/1993	Carrico et al.	.....	D2/639
5,292,044	A	*	3/1994	Reimers	.....	224/264
5,419,475	A	*	5/1995	Naritomi	.....	224/257
5,696,338	A	*	12/1997	Grissom	.....	84/327
D396,938	S	*	8/1998	Bugatti	.....	D2/639
D401,764	S	*	12/1998	Apps et al.	.....	D3/318
D407,886	S	*	4/1999	Marable	.....	D2/639
D408,435	S	*	4/1999	Gettings	.....	D17/20

D409,648	S	*	5/1999	Gettings	.....	D17/20
D415,785	S	*	10/1999	Gettings	.....	D17/20
D423,782	S	*	5/2000	Ammerman et al.	.....	D3/327
D424,301	S	*	5/2000	Swierz	.....	D3/327
D426,707	S	*	6/2000	Huang et al.	.....	D3/327
D435,171	S	*	12/2000	Anderson	.....	D3/327
6,179,178	B1	*	1/2001	Stegmeyer	.....	224/264
6,220,492	B1	*	4/2001	Huang	.....	224/264
6,223,959	B1	*	5/2001	Chen	.....	224/264
6,279,795	B1	*	8/2001	Pierzina	.....	224/150
D448,170	S	*	9/2001	Ammerman et al.	.....	D3/327
6,318,609	B1	*	11/2001	Swierz	.....	224/264
6,481,022	B1	*	11/2002	D'Addario et al.	.....	2/268
6,536,639	B1	*	3/2003	Frank	.....	224/257
D475,176	S	*	6/2003	Moxey, Jr.	.....	D2/639
D487,544	S	*	3/2004	Jessen et al.	.....	D3/326
D489,163	S	*	5/2004	Tucker	.....	D2/639
6,863,202	B1	*	3/2005	Ammerman	.....	224/607

\* cited by examiner

*Primary Examiner*—Sandra S. Snapp  
(74) *Attorney, Agent, or Firm*—Manabu Kanesaka

(57) **CLAIM**

The ornamental design for a pad for a bag, as shown and described.

**DESCRIPTION**

FIG. 1 is a perspective view of a pad for a bag showing my new design;  
 FIG. 2 is top plan view thereof;  
 FIG. 3 is a bottom plan view thereof;  
 FIG. 4 is a front elevation view, the rear elevation view being a mirror image thereof;  
 FIG. 5 is a right side elevation view, the left side elevation view being a mirror image thereof;  
 FIG. 6 is a cross-sectional view taken along line 6—6 in FIG. 2; and,  
 FIG. 7 is a cross-sectional view taken along line 7—7 in FIG. 2.

**1 Claim, 2 Drawing Sheets**

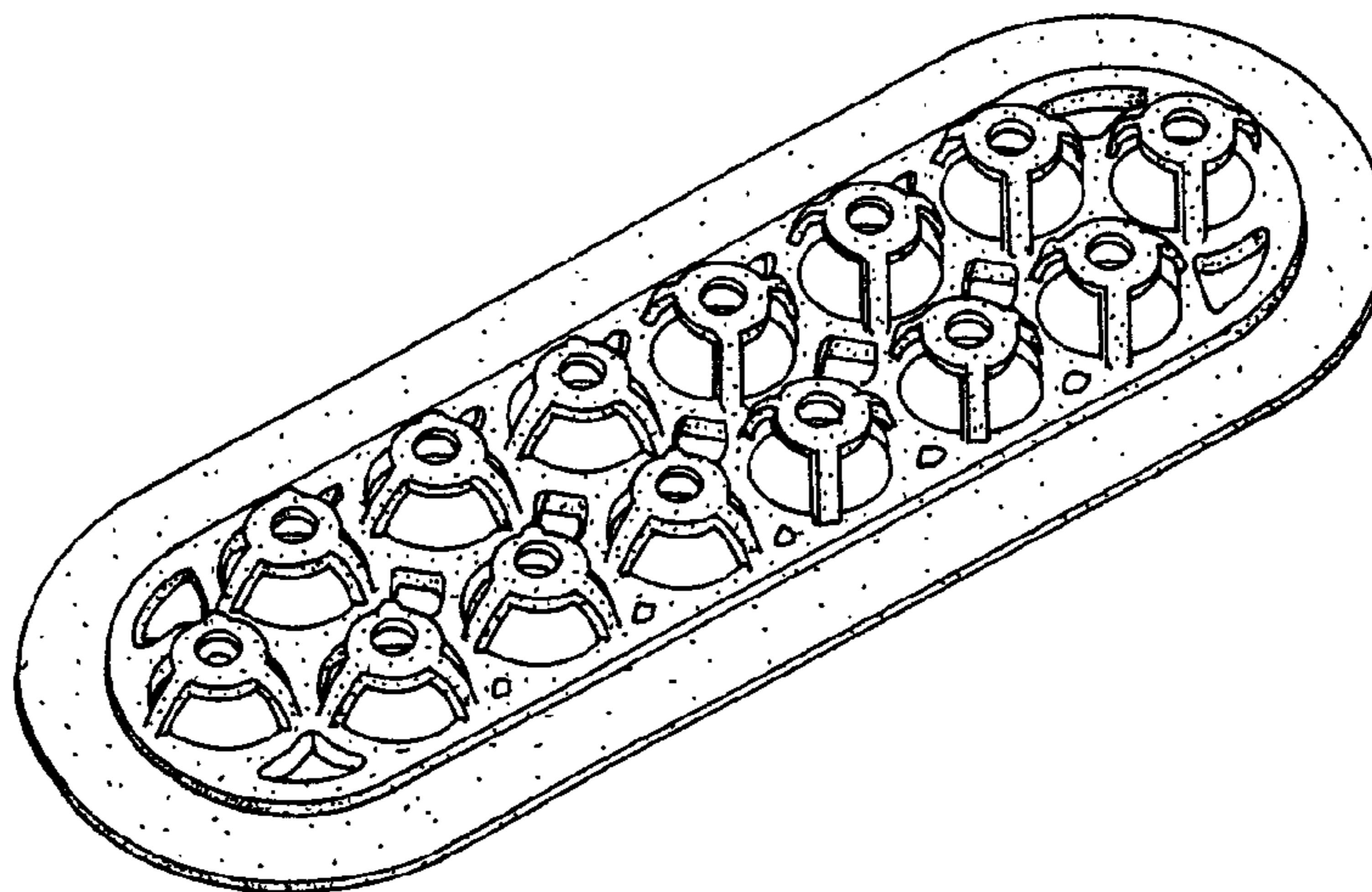


FIG. 1

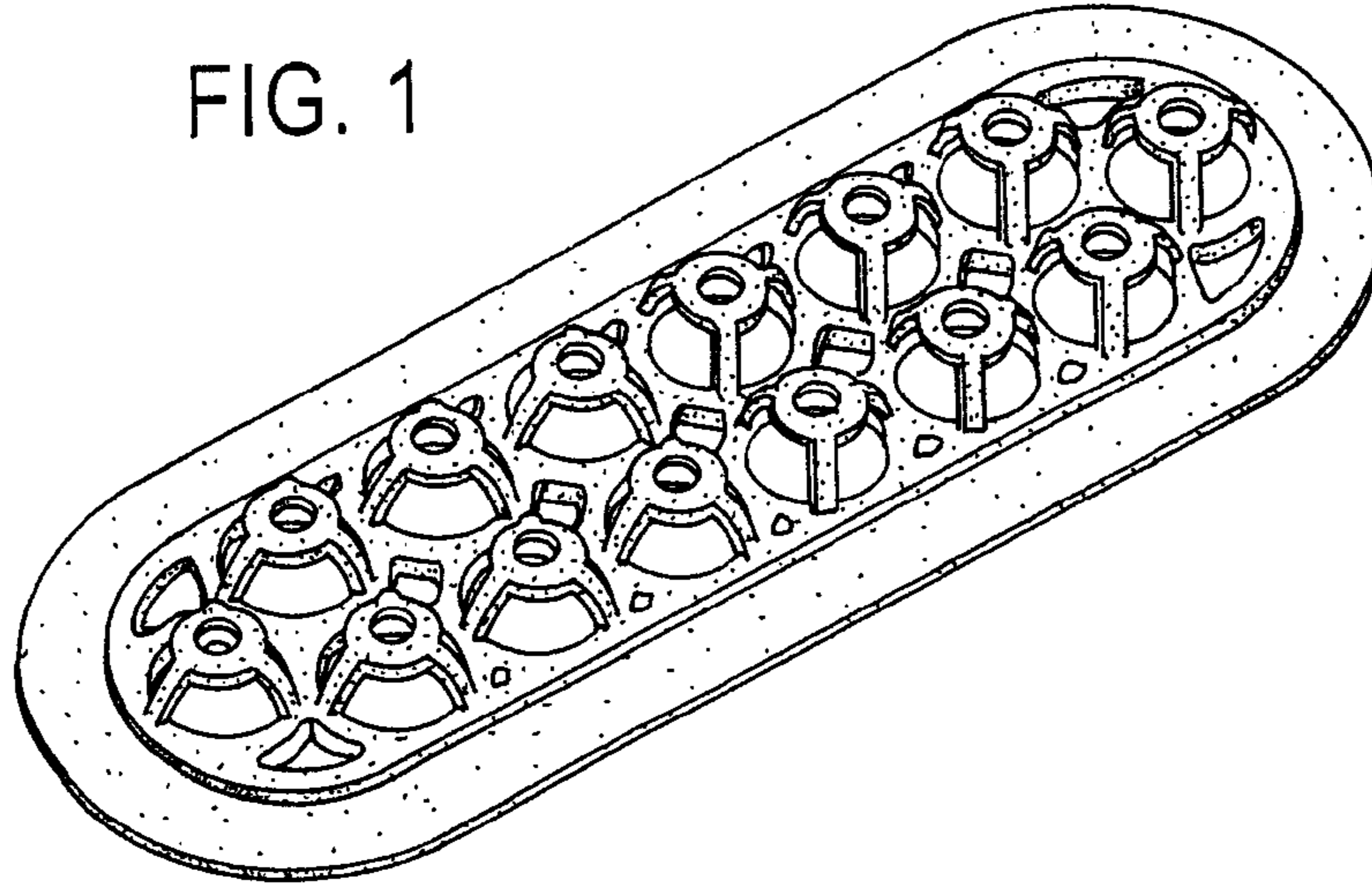


FIG. 2

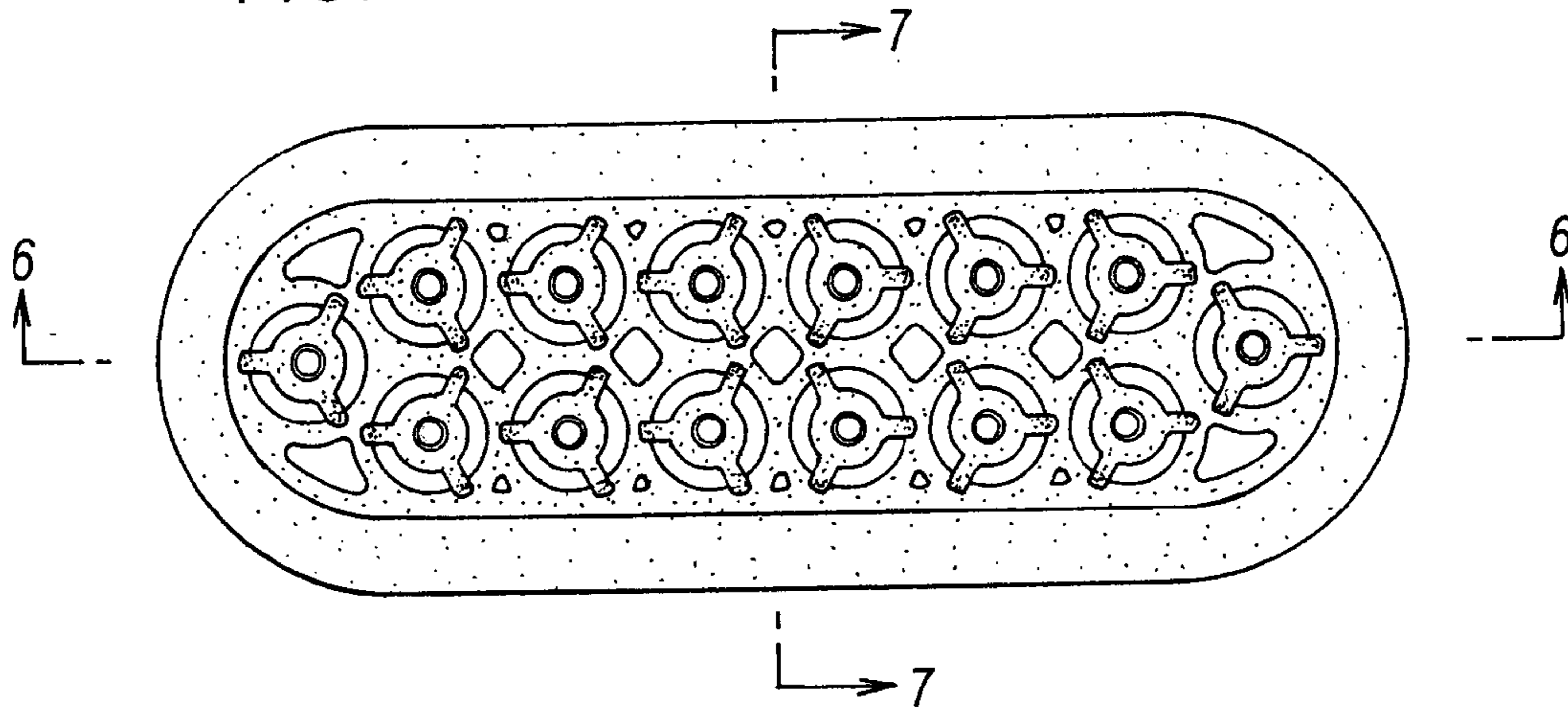


FIG. 3

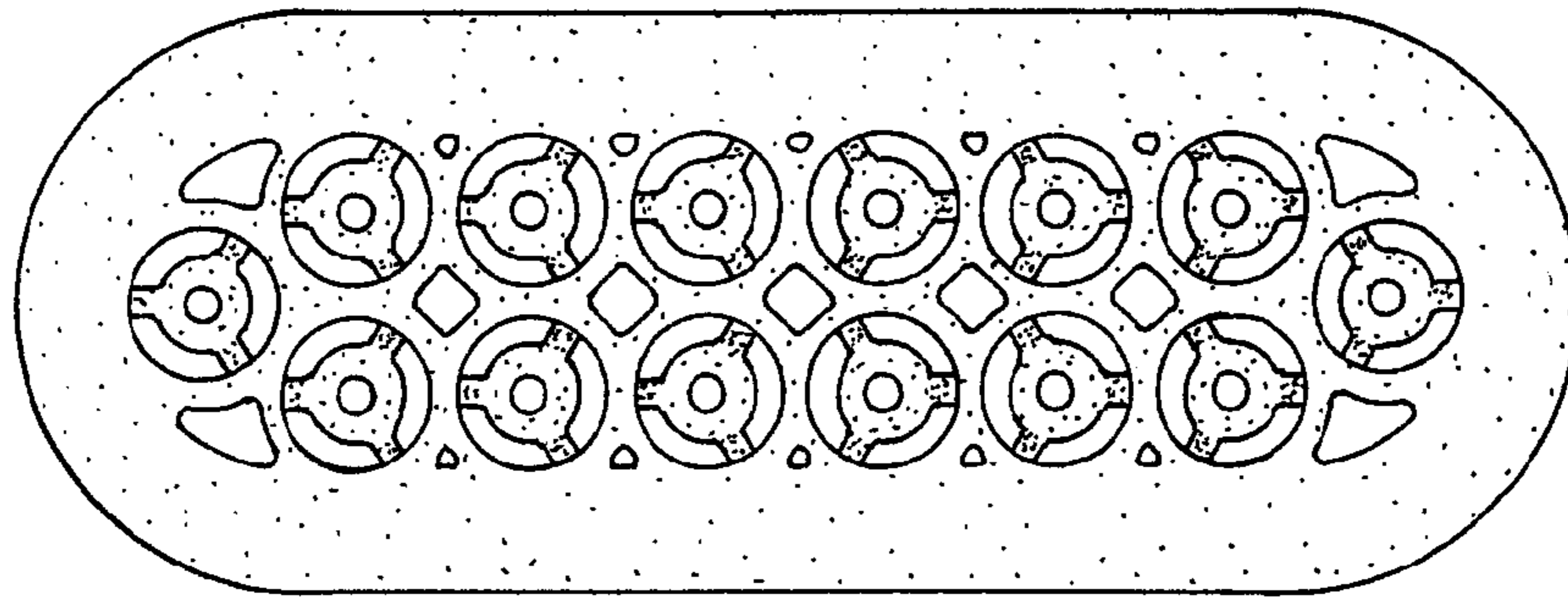


FIG. 4



FIG. 5



FIG. 7



FIG. 6

