



US00D522244S

(12) **United States Design Patent**  
**Toler et al.**

(10) **Patent No.: US D522,244 S**

(45) **Date of Patent: \*\* Jun. 6, 2006**

(54) **LUGGAGE STRAP AND IDENTIFIER  
HAVING A SPORTS PLAYER APPEARANCE**

D340,580 S \* 10/1993 Hirschy ..... D3/321  
5,293,975 A \* 3/1994 Howorka ..... 190/26  
D390,704 S \* 2/1998 Bloch ..... D3/327  
D396,347 S \* 7/1998 Jenkins et al. .... D3/327

(76) Inventors: **Debra Toler**, 6230 W. Blackhawk Dr.,  
Glendale, AZ (US) 85308; **Robert Z.  
Toler**, 5617 W. Beck La., Glendale, AZ  
(US) 85306

\* cited by examiner

(\*\*) Term: **14 Years**

*Primary Examiner*—Sandra S. Snapp

(74) *Attorney, Agent, or Firm*—Jeffrey D. Moy; Harry M.  
Weiss; Weiss, Moy & Harris, P.C.

(21) Appl. No.: **29/229,169**

(57) **CLAIM**

(22) Filed: **May 4, 2005**

The ornamental design for a luggage strap and identifier  
having a sports player appearance, as shown and described.

(51) **LOC (8) Cl.** ..... **03-99**

(52) **U.S. Cl.** ..... **D3/318**

(58) **Field of Classification Search** ..... D3/318,  
D3/319, 321–328, 226, 229, 230, 232, 234,  
D3/235, 242, 243, 245, 246, 270, 295, 271.2,  
D3/304, 306; D12/409; 70/2, 6; 150/100,  
150/107, 111, 118, 130, 900, 112, 114, 117,  
150/127; 190/100, 119, 125, 127, 109, 110,  
190/900–903; 224/42.11, 236, 429, 430,  
224/609, 436, 439; 383/907, 38

**DESCRIPTION**

See application file for complete search history.

FIG. 1 is an elevated perspective view of the luggage strap  
and identifier having a sports player appearance showing my  
new design coupled to a piece of luggage;

FIG. 2 is a front view of the body section of the embodiment  
depicted in FIG. 1;

FIG. 3 is a rear view of the body section of the embodiment  
depicted in FIG. 1;

FIG. 4 is a side view of the embodiment depicted in FIG. 1  
coupled to a piece of luggage; and,

FIG. 5 is a top view of the embodiment depicted in FIG. 1  
coupled to a piece of luggage.

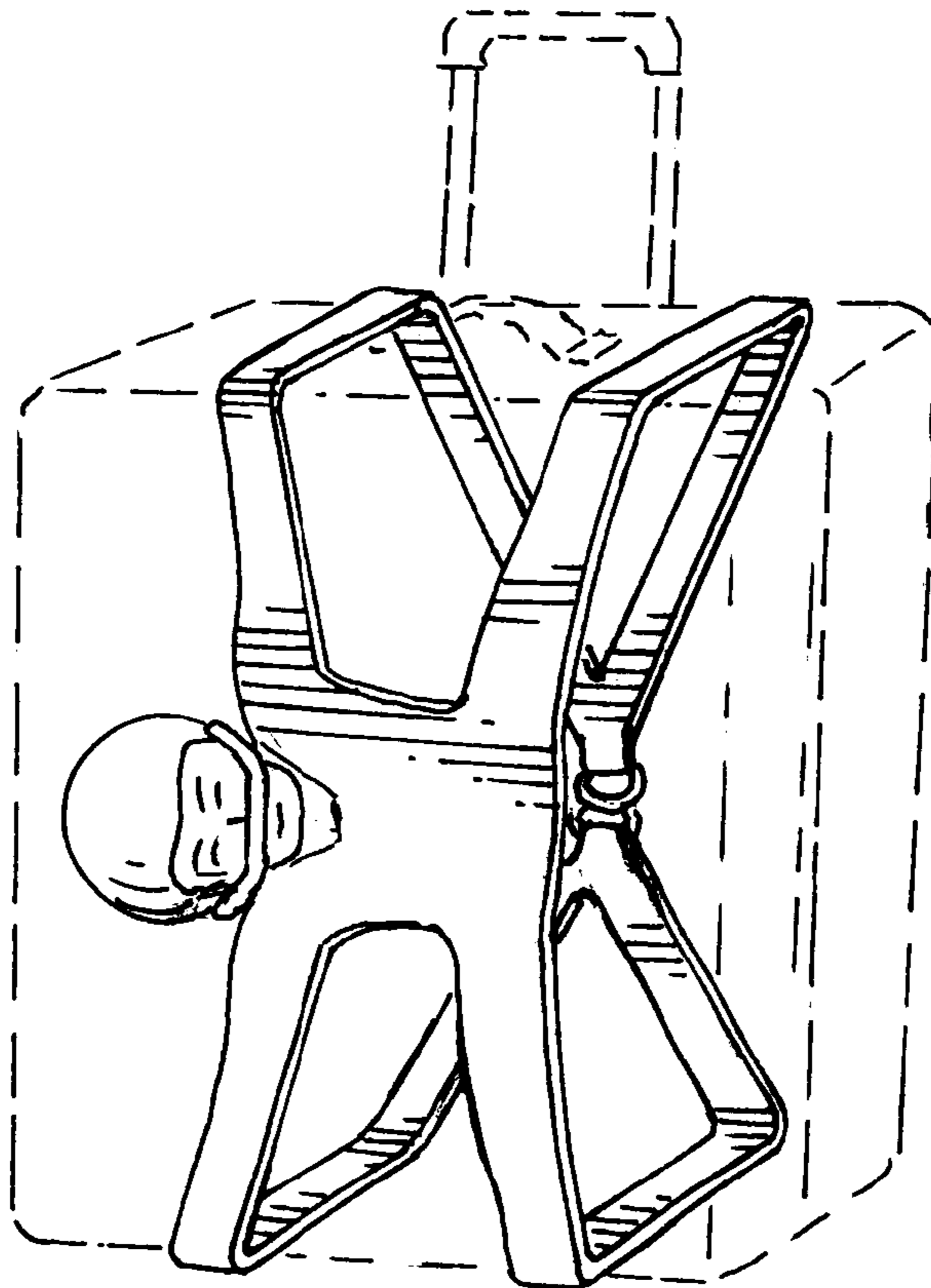
The broken lines showing in FIG. 1 is for illustrative  
purposes only and form no part of the claimed design.

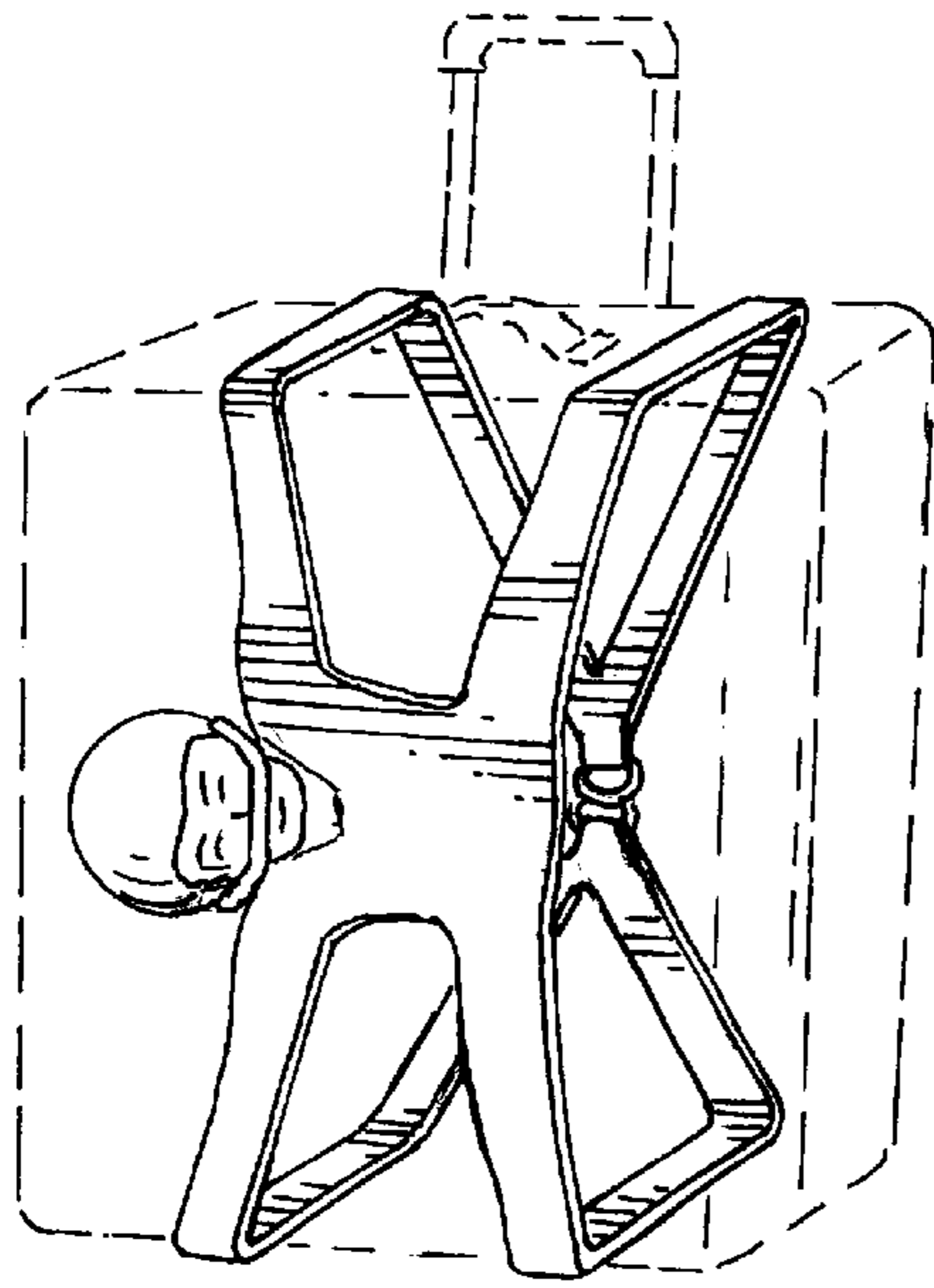
(56) **References Cited**

U.S. PATENT DOCUMENTS

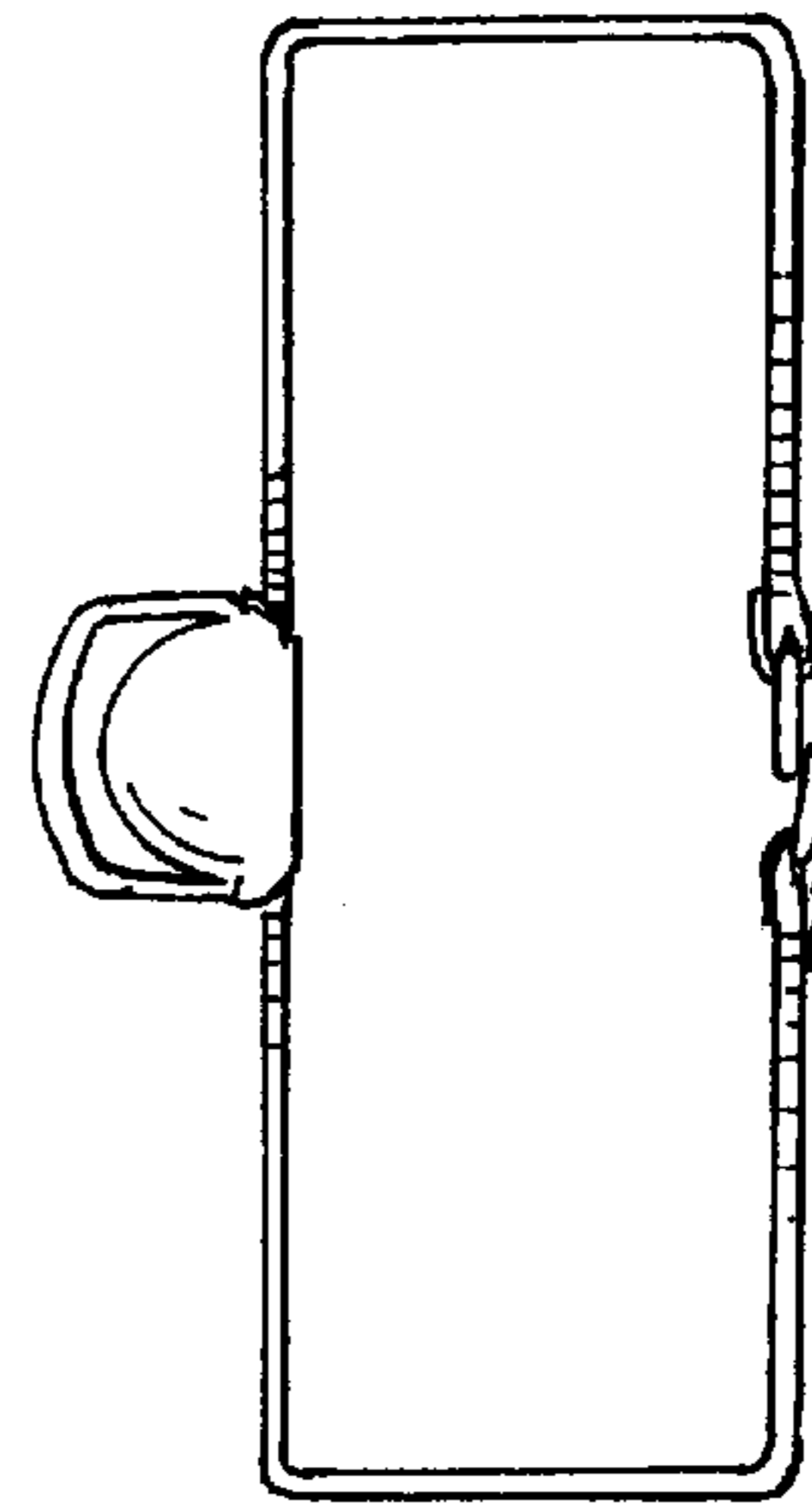
3,933,287 A \* 1/1976 Foley ..... 294/149  
5,172,795 A \* 12/1992 Riceman ..... 190/26

**1 Claim, 1 Drawing Sheet**

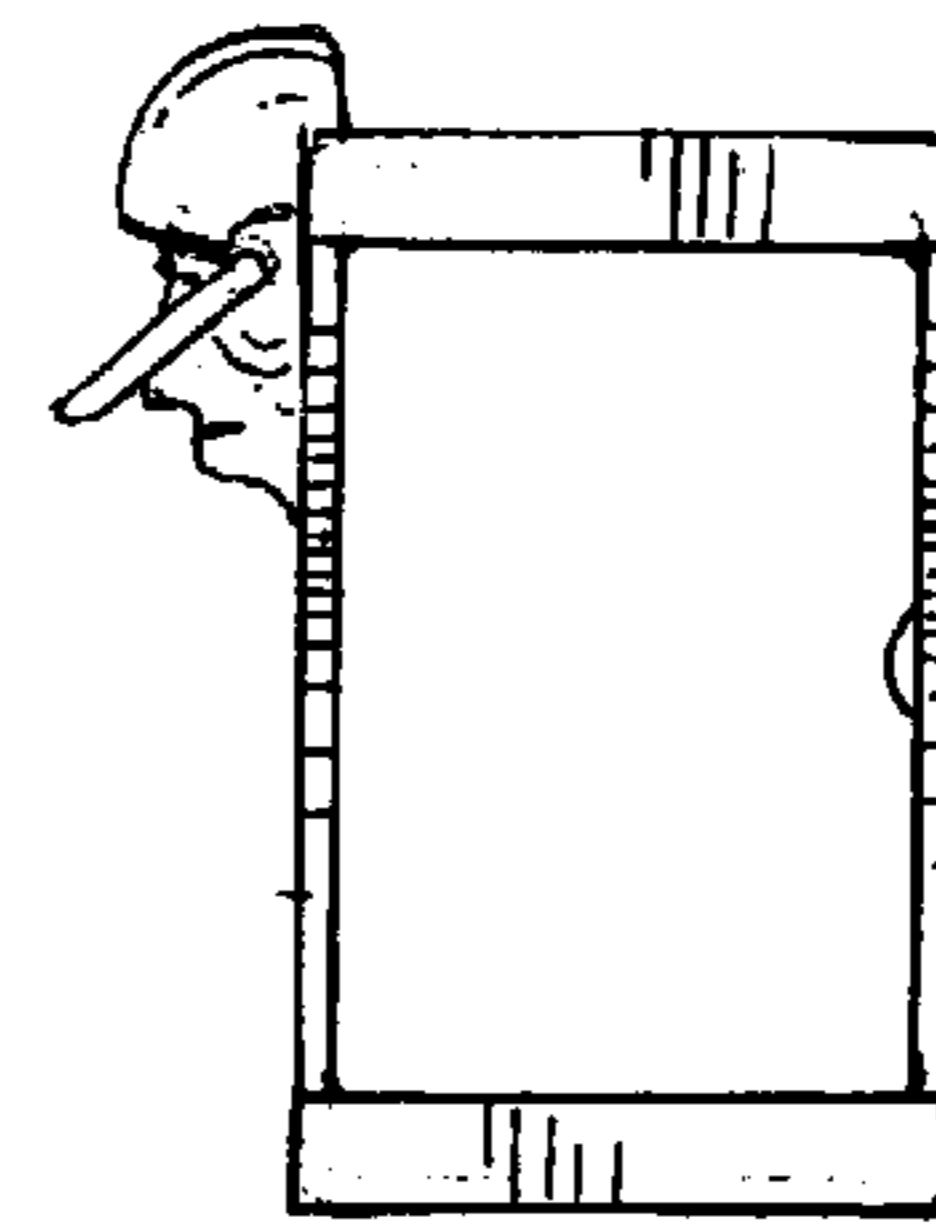




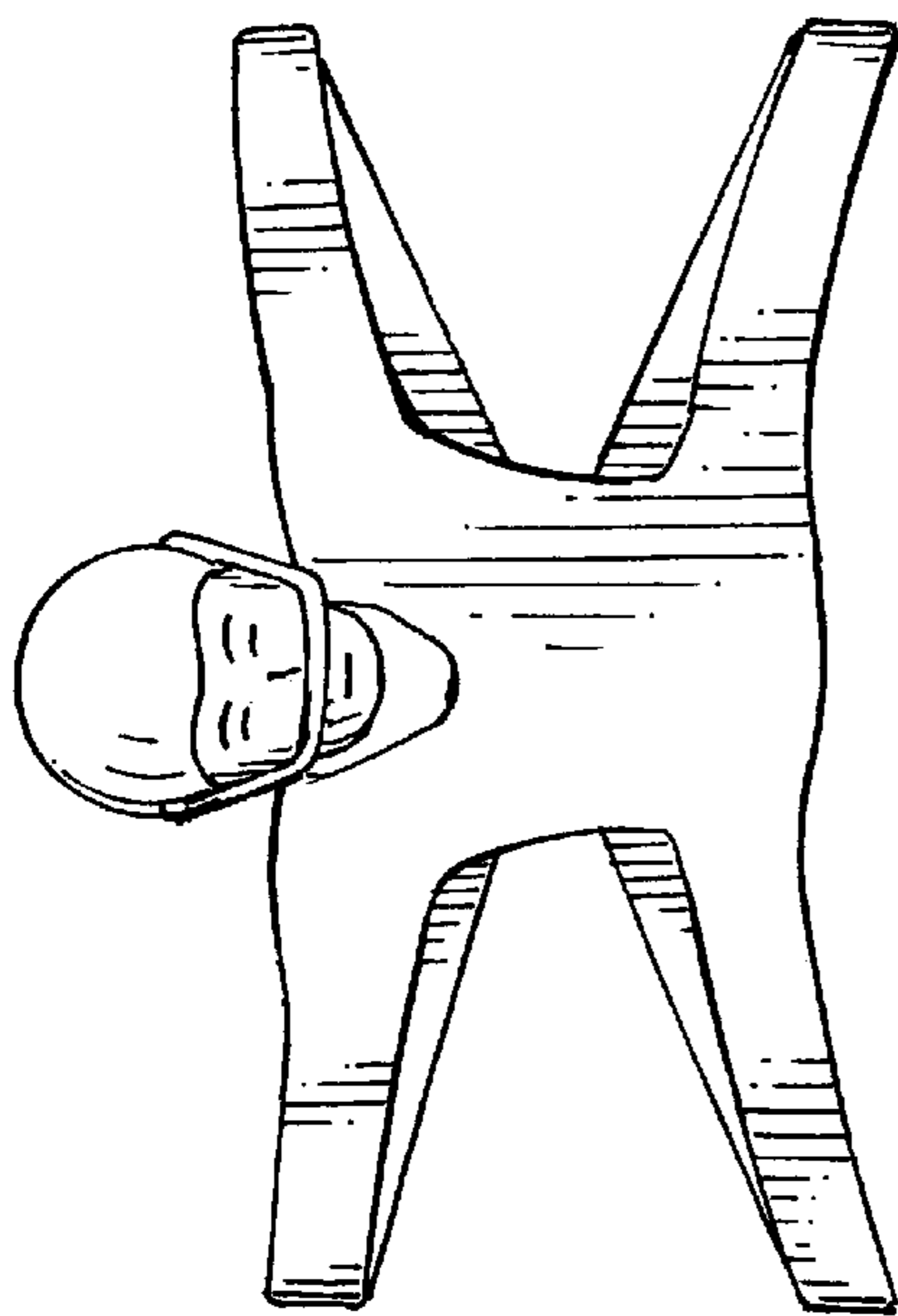
*Fig. 1*



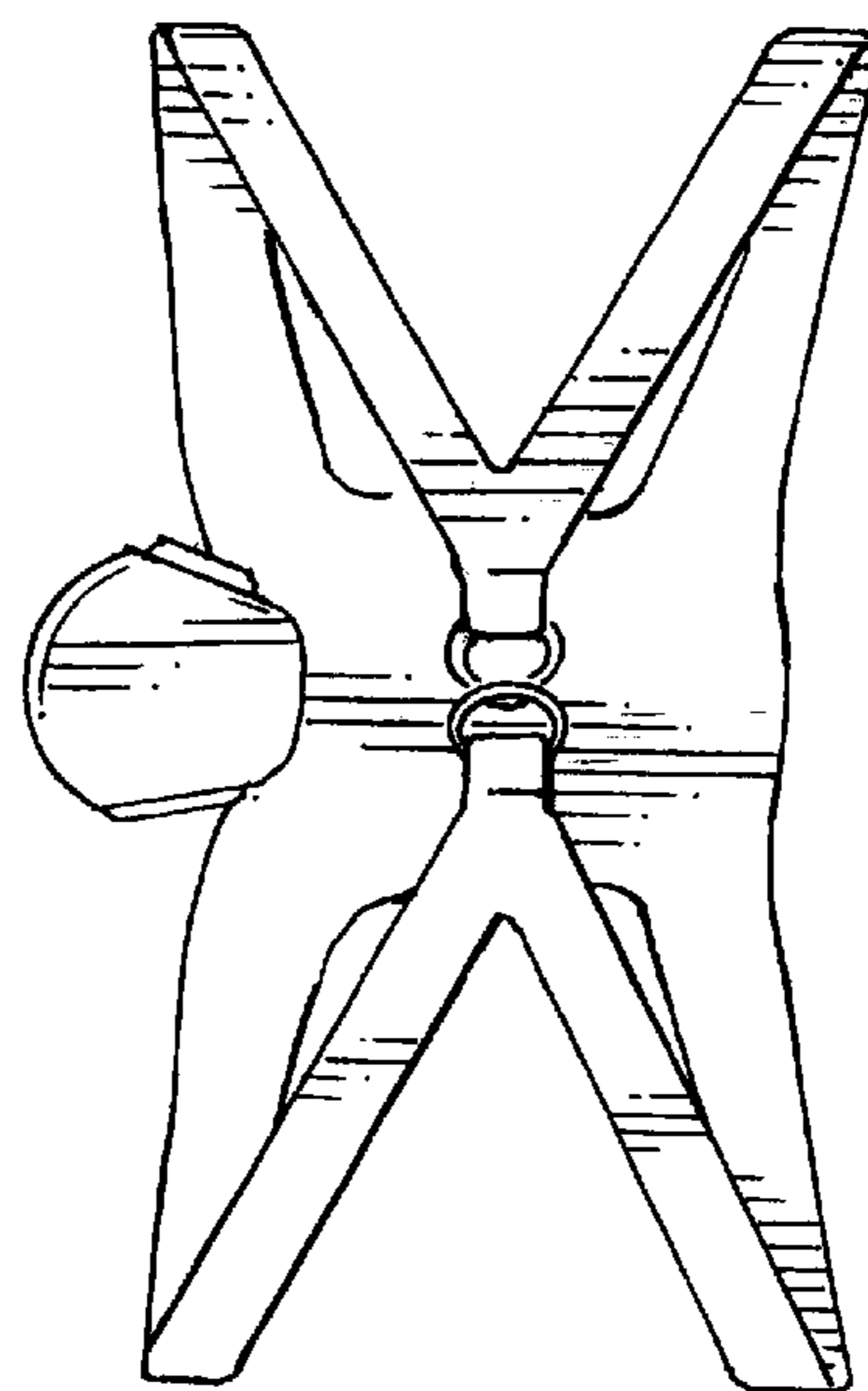
*Fig. 4*



*Fig. 5*



*Fig. 2*



*Fig. 3*