



US00D522243S

(12) **United States Design Patent**  
**Brown, Sr.**

(10) **Patent No.:** **US D522,243 S**

(45) **Date of Patent:** **\*\* Jun. 6, 2006**

(54) **SCUBA TANK CARRIER**

(75) **Inventor:** **Edwin B. Brown, Sr.**, Port St. Lucie,  
FL (US)

(73) **Assignee:** **Tanktote, Inc.**, Cocoa Beach, FL (US)

(\*\*) **Term:** **14 Years**

(21) **Appl. No.:** **29/194,897**

(22) **Filed:** **Dec. 3, 2003**

(51) **LOC (8) Cl.** ..... **03-01**

(52) **U.S. Cl.** ..... **D3/316**

(58) **Field of Classification Search** ..... D3/318,  
D3/240, 316; 206/143, 145, 147, 148, 150,  
206/162; 220/752, 754, 756, 758; D9/434,  
D9/455, 499; 294/31.2, 87.2, 165  
See application file for complete search history.

(56) **References Cited**

**U.S. PATENT DOCUMENTS**

2,812,968	A	11/1957	Sevener	
2,981,562	A	4/1961	Long	
3,116,947	A	1/1964	Brownrigg	
3,799,600	A	3/1974	Chappell	
D277,554	S	2/1985	Chabot	
4,724,971	A	* 2/1988	Henline	215/396
D348,002	S	* 6/1994	Jones	D3/316
D349,459	S	* 8/1994	Borg	D9/455
5,346,271	A	* 9/1994	Erickson	294/87.2
D360,362	S	* 7/1995	Strong	D9/455

5,441,320	A	* 8/1995	Strong	294/31.2
5,556,146	A	9/1996	Kirk	
5,735,562	A	* 4/1998	Borg	294/87.2
D413,800	S	* 9/1999	Caparros et al.	D9/752
D507,629	S	* 7/2005	Colligan	D23/213

\* cited by examiner

*Primary Examiner*—Louis S. Zarfes

*Assistant Examiner*—Kathleen Sims

(74) *Attorney, Agent, or Firm*—Malin, Haley & DiMaggio,  
P.A.

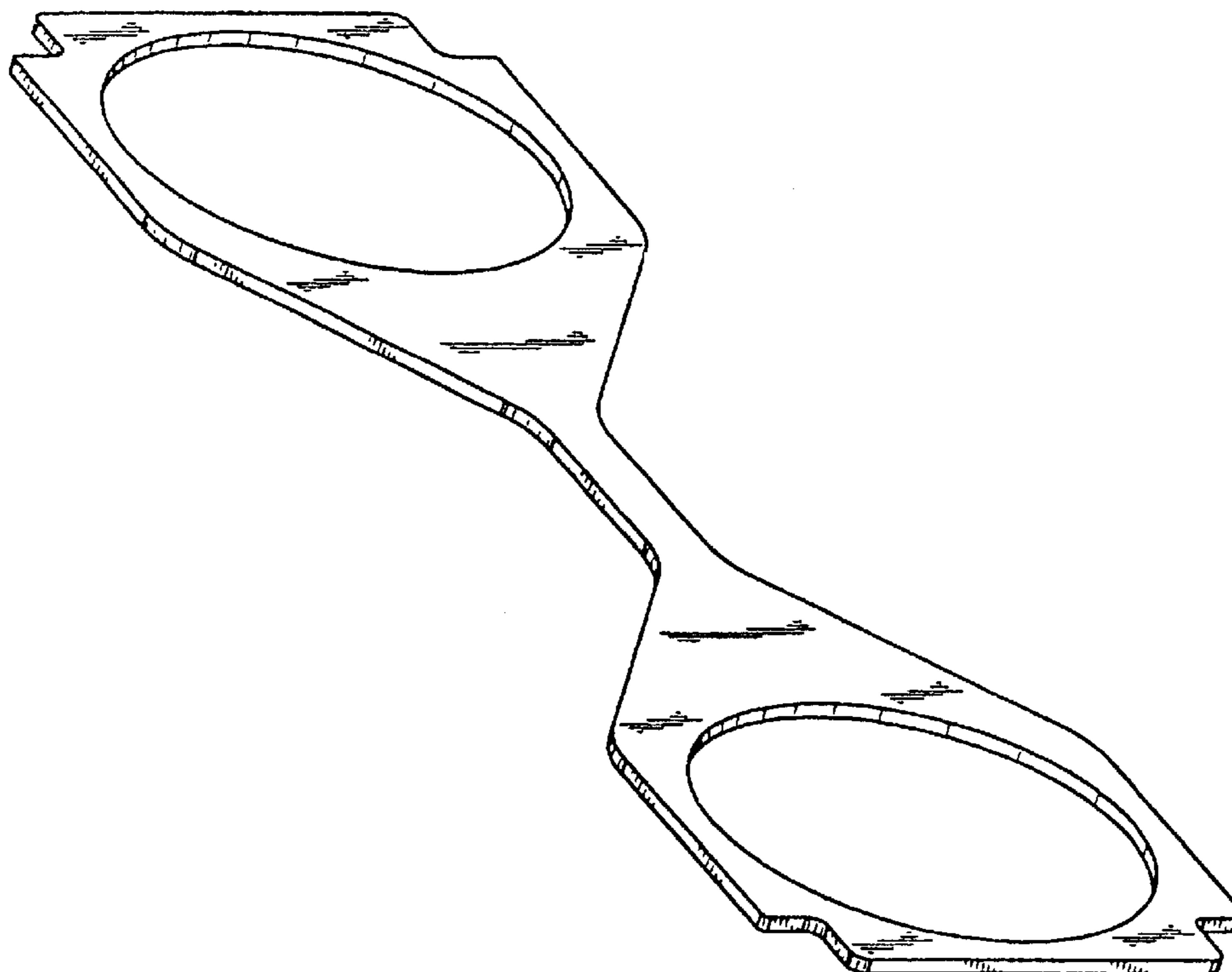
(57) **CLAIM**

The ornamental design for a scuba tank carrier, as shown and described.

**DESCRIPTION**

FIG. 1 is a perspective view of the scuba tank carrier, showing the new design; FIG. 2 is a bottom plan view thereof; the opposing top view being a mirror image; FIG. 3 is a front elevational view thereof; the back view being a mirror image; FIG. 4 is a side view thereof; the opposing side being a mirror image; and, FIG. 5 is an alternative perspective view thereof, illustrating use of the device. The broken line showing of the scuba tank carrier is for illustrative purposes only and forms no part of the claimed design.

**1 Claim, 3 Drawing Sheets**



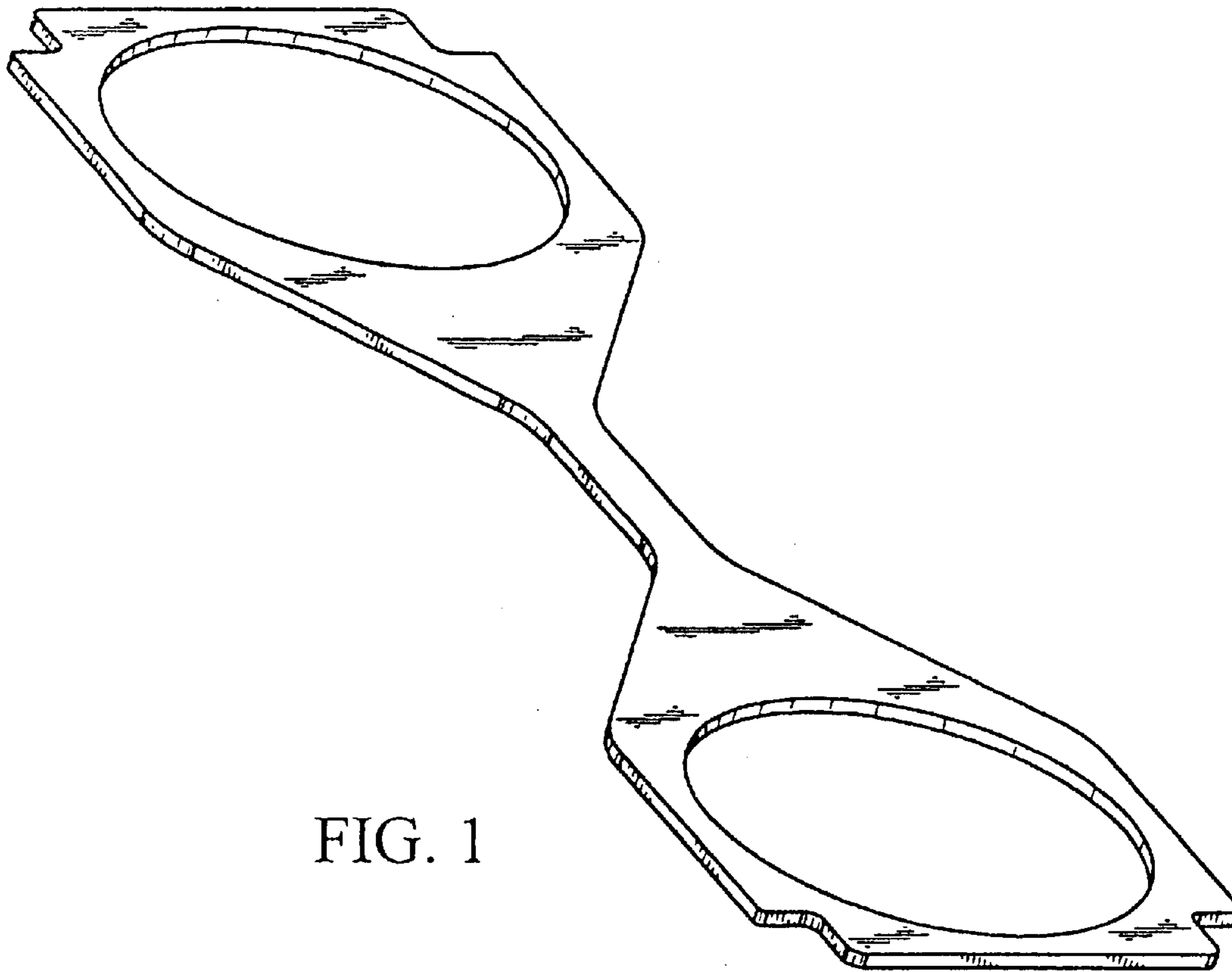


FIG. 1



FIG. 2

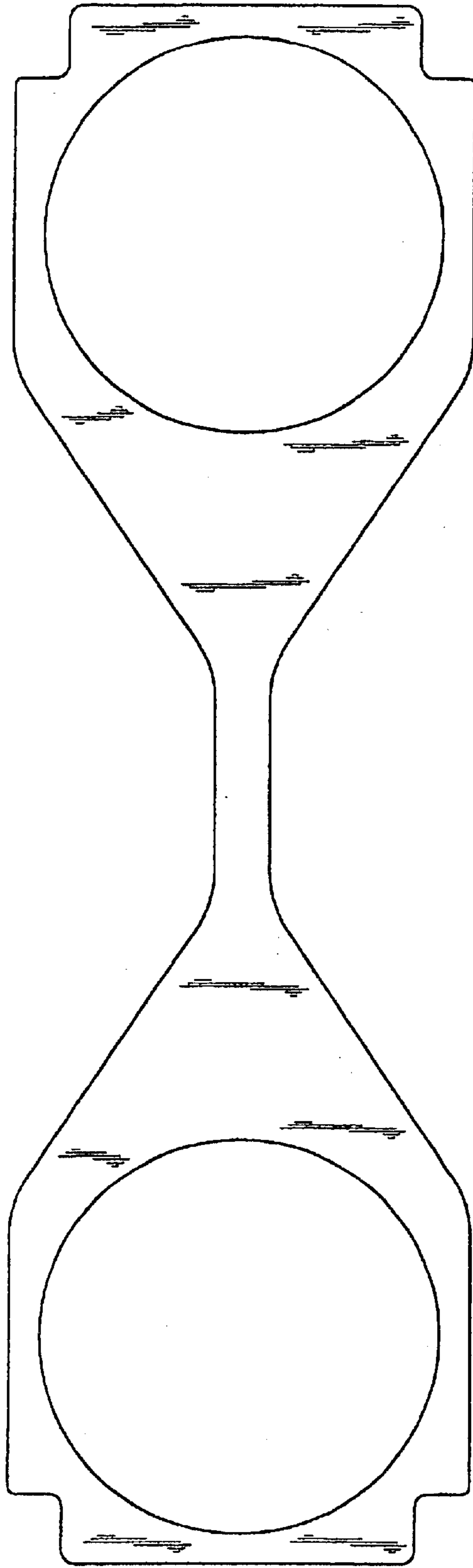


FIG. 3



FIG. 4

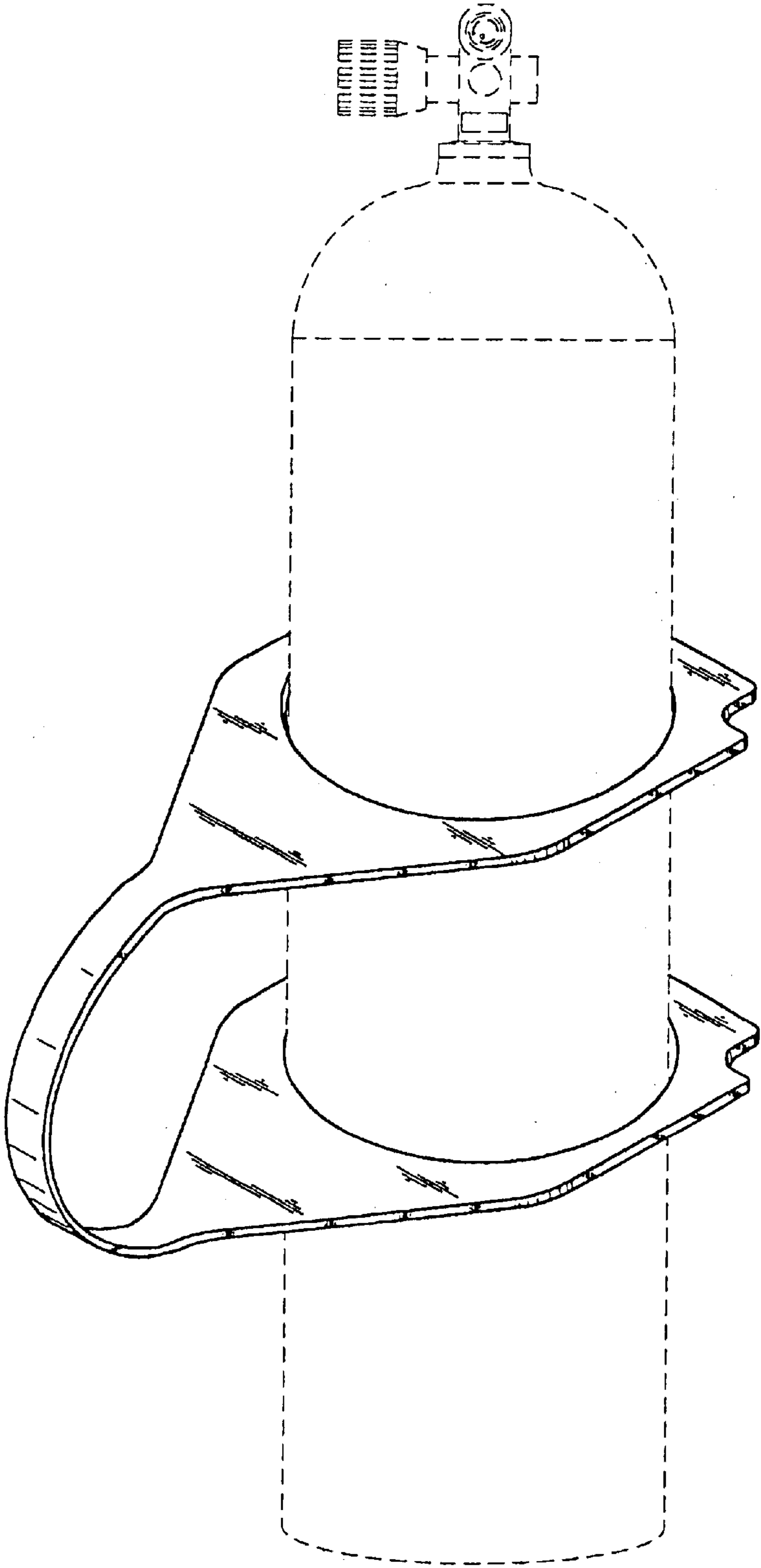


FIG. 5