

US00D522242S

(12) **United States Design Patent**
Slaughter

(10) **Patent No.:** **US D522,242 S**

(45) **Date of Patent:** **** Jun. 6, 2006**

(54) **HANDLE FOR CARRYING ROLLED PAPER**

(76) Inventor: **R. Kemp Slaughter**, 7106 S. Regal Rd., Spokane, WA (US) 99223

(**) Term: **14 Years**

(21) Appl. No.: **29/194,191**

(22) Filed: **Nov. 21, 2003**

(51) **LOC (8) Cl.** **03-01**

(52) **U.S. Cl.** **D3/316**

(58) **Field of Classification Search** D3/276,
D3/318, 273, 905, 246, 215, 282, 201, 202,
D3/291, 260, 904, 254, 262, 323-25, 316;
383/25; 190/115; 206/315.11, 317

See application file for complete search history.

(56) **References Cited**

U.S. PATENT DOCUMENTS

D314,084 S	*	1/1991	Azadmard	D3/315
D343,510 S	*	1/1994	Langlois	D3/316
D410,333 S	*	6/1999	Coca	D3/260
D411,729 S	*	6/1999	Langmuir et al.	D8/320
6,513,692 B1	*	2/2003	Forgosh et al.	224/575
D478,726 S	*	8/2003	Masso et al.	D3/300
D486,960 S	*	2/2004	Sauey et al.	D3/262
D490,245 S	*	5/2004	Brouard	D3/318
D508,516 S	*	8/2005	Boone	D17/20

* cited by examiner

Primary Examiner—Louis S. Zarfes

Assistant Examiner—Kathleen Sims

(74) *Attorney, Agent, or Firm*—Keith S. Bergman; William A. Jeckle

(57) **CLAIM**

The ornamental design for handle for carrying rolled paper, as shown and described.

DESCRIPTION

FIG. 1 is an perspective view of the handle for carrying rolled papers showing my design carrying a single roll of papers which constitute no part of the design;

FIG. 2 is a perspective view of the handle for carrying rolled papers of FIG. 1 showing my design carrying multiple rolls of paper which constitute no part of the design;

FIG. 3 is a left side view thereof;

FIG. 4 is a right side view thereof;

FIG. 5 is a top view thereof;

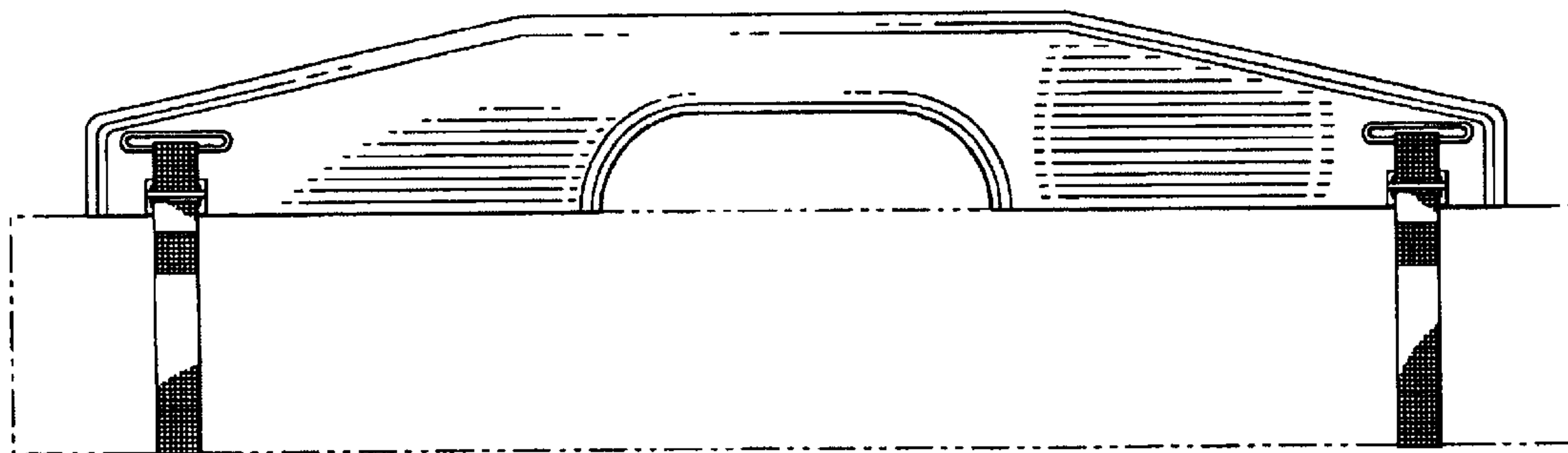
FIG. 6 is a bottom view thereof;

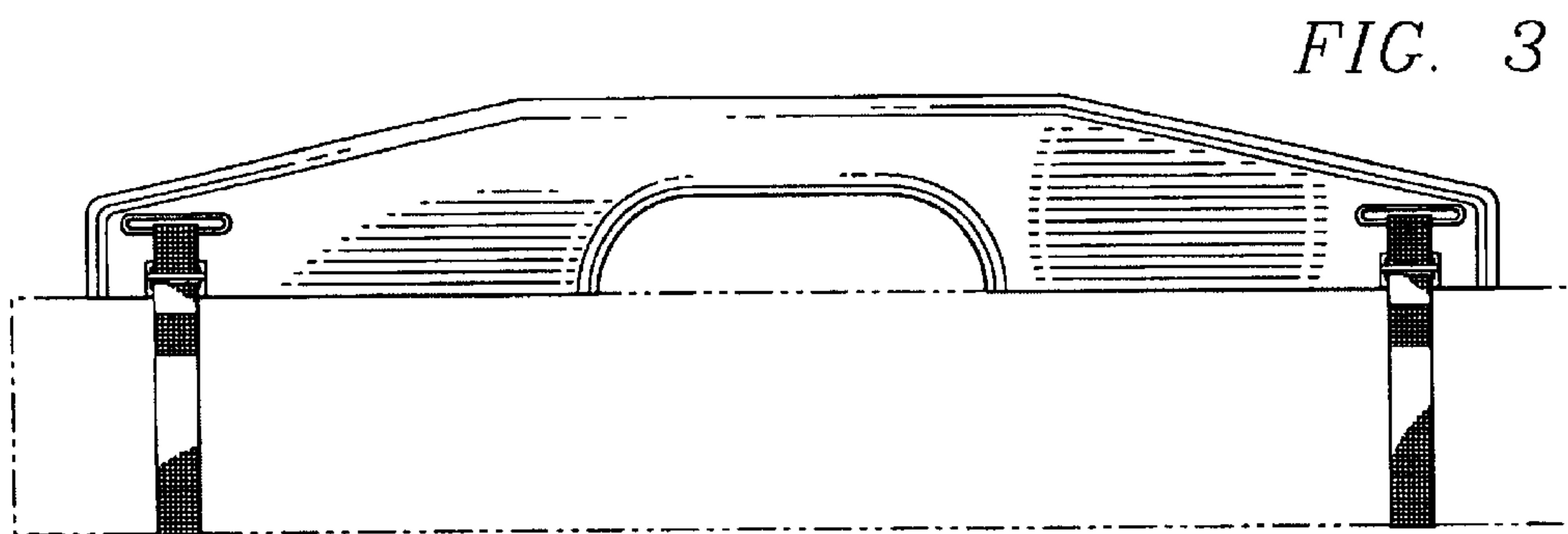
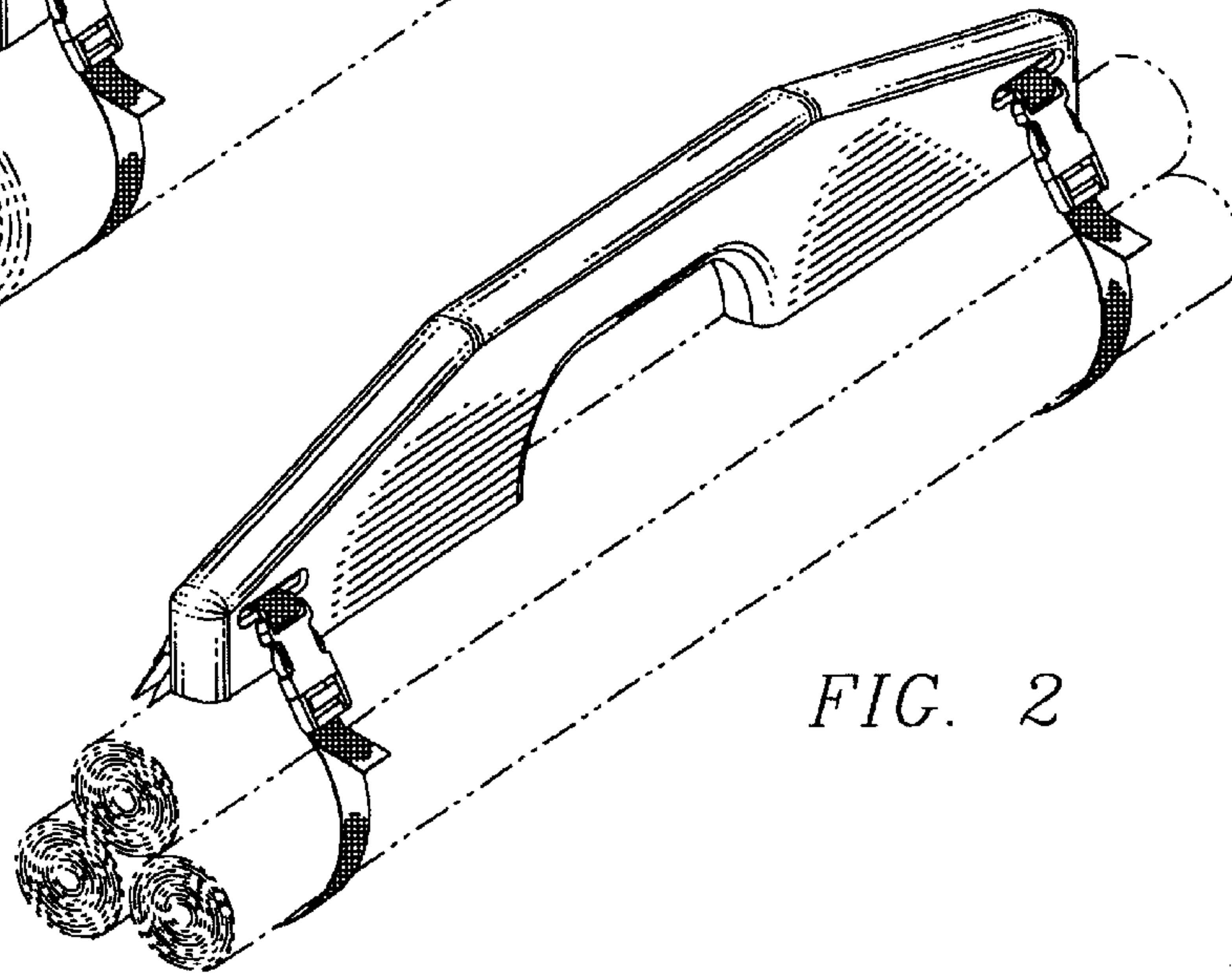
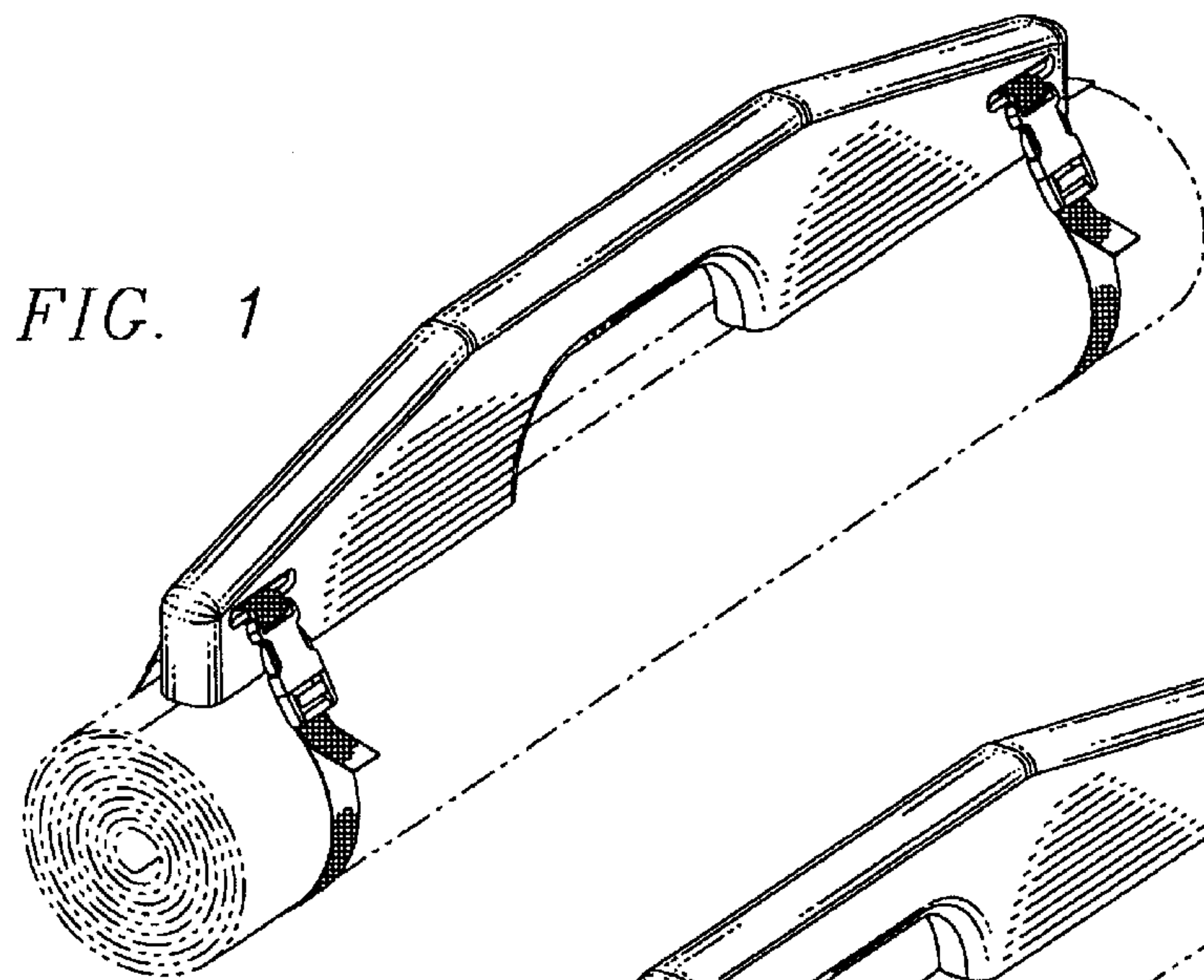
FIG. 7 is a front end view thereof; and,

FIG. 8 is a back end view thereof.

The broken line showing of the handle for carrying rolled papers is for illustrative purposes only and forms no part of the claimed design.

1 Claim, 2 Drawing Sheets





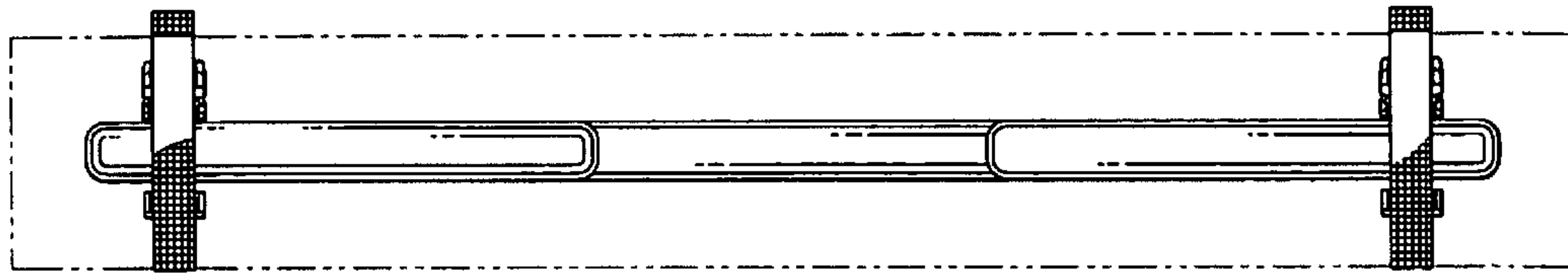


FIG. 5

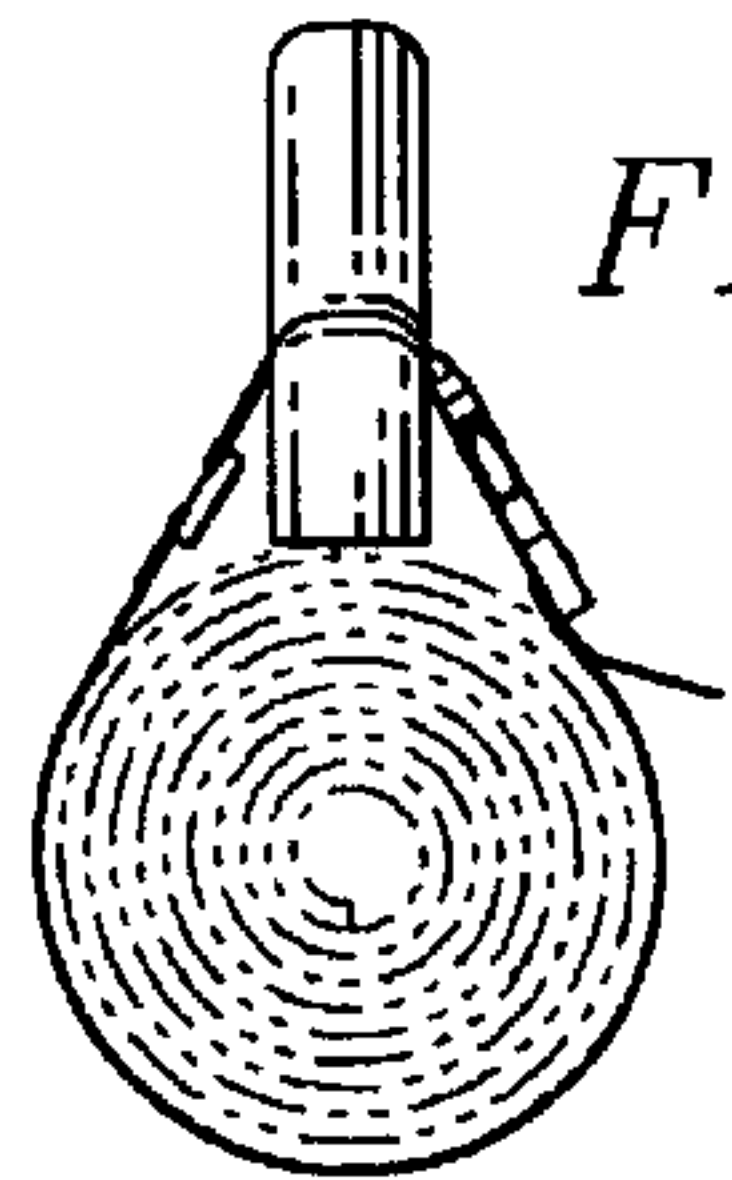


FIG. 7

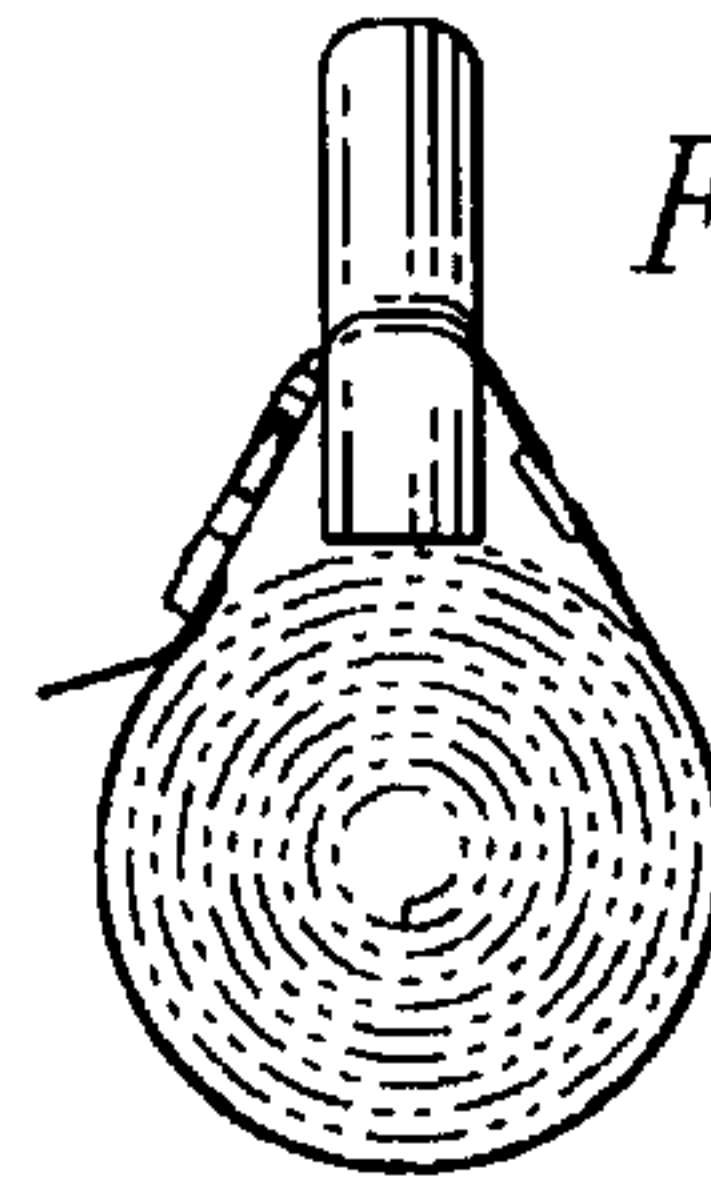


FIG. 8

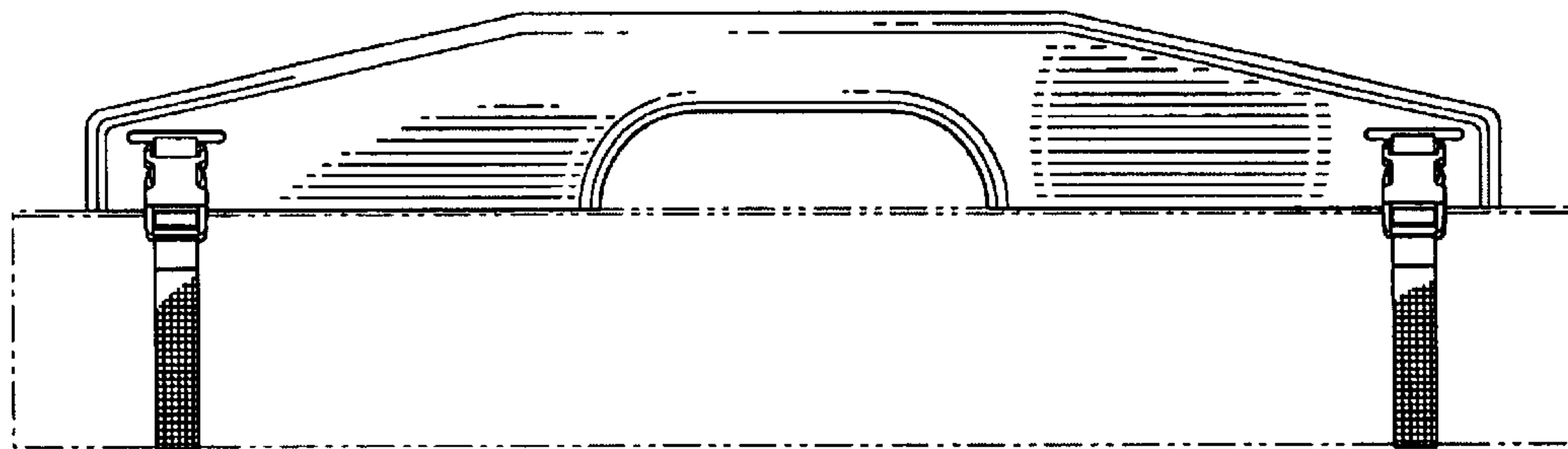


FIG. 4

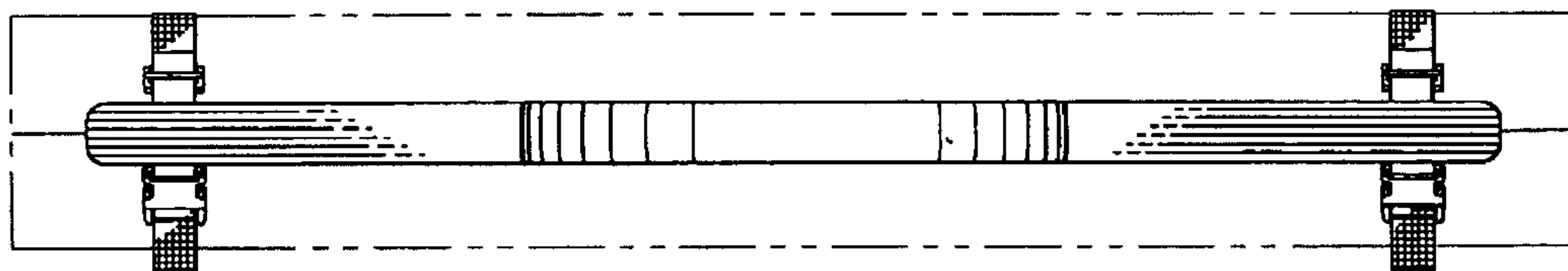


FIG. 6