



US00D522241S

(12) **United States Design Patent** (10) **Patent No.:** **US D522,241 S**  
**Young et al.** (45) **Date of Patent:** **\*\* Jun. 6, 2006**

- (54) **CARRYING DEVICE** 4,613,041 A 9/1986 Carlton
- 4,823,959 A 4/1989 Bixler
- (75) Inventors: **Michael G. Young**, Mukwonago, WI 4,836,403 A 6/1989 Blackman
- (US); **Nisha Gupta**, New Berlin, WI 5,035,321 A 7/1991 Denton
- (US); **John W. Grosz**, Waupun, WI 5,054,661 A 10/1991 Hollje
- (US); **David Stender**, Oshkosh, WI 5,086,917 A 2/1992 Dziersk et al.
- (US) 5,111,951 A \* 5/1992 Breen et al. .... 220/23.4
- 5,199,571 A 4/1993 Wolff et al.
- (73) Assignee: **The Colman Group, Inc.**, Elkhorn, WI 5,207,348 A 5/1993 Fischer et al.
- (US) D350,632 S 9/1994 Cummins

(Continued)

(\*\*) Term: **14 Years**

**OTHER PUBLICATIONS**

- (21) Appl. No.: **29/187,252** Web site page [www.spraybottles.com](http://www.spraybottles.com).
- (22) Filed: **Jul. 29, 2003** Web site page [www.prpaper.com](http://www.prpaper.com).
- (51) **LOC (8) Cl.** ..... **03-01** Web site page [www.servu-online.com](http://www.servu-online.com).
- (52) **U.S. Cl.** ..... **D3/305** Food Safety Solutions catalog p. 43, Summer 2003.
- (58) **Field of Classification Search** ..... D3/303, D3/246, 201, 305; D32/53, 53.1, 54; 15/260, 15/263, 264; 220/23.83, 23.86, 23.87, 23.89, 220/735, 760, 904; 206/505, 506, 515, 518  
See application file for complete search history.

*Primary Examiner*—Louis S. Zarfes  
*Assistant Examiner*—Kathleen Sims  
(74) *Attorney, Agent, or Firm*—Brian G. Gilpin; Godfrey & Kahn, S.C.

(56) **References Cited**

(57) **CLAIM**

**U.S. PATENT DOCUMENTS**

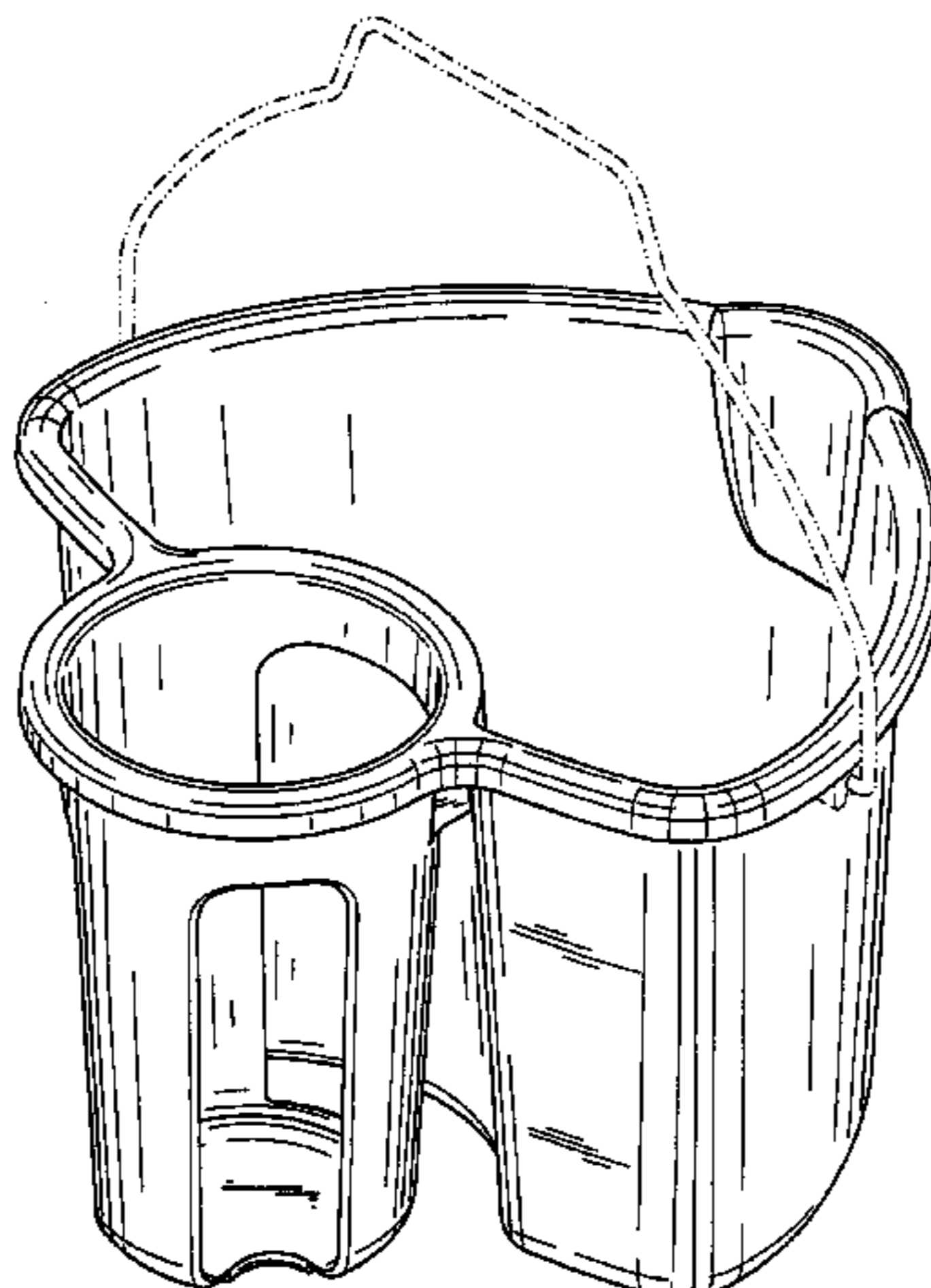
The ornamental design for carrying device, as shown and described.

- 413,526 A 10/1889 Light
- 416,967 A 12/1889 Stott
- 475,429 A 5/1892 Zeiser
- 1,517,164 A 11/1924 Lear
- 1,764,763 A 6/1930 Stang
- 1,994,525 A 3/1935 Madda
- D139,569 S 11/1944 O'Brien
- 2,594,176 A 4/1952 Kaiser, Jr.
- 2,896,809 A 7/1959 Metzger et al.
- D186,195 S 9/1959 Cole
- D222,892 S \* 1/1972 Gunfaus et al. .... D32/53
- D223,691 S 5/1972 Newman
- D227,148 S 6/1973 Oas
- D237,686 S 11/1975 Torokvei
- 3,991,879 A 11/1976 Hirota
- 4,164,299 A 8/1979 Fuhr
- 4,203,537 A 5/1980 McAlister
- 4,475,660 A 10/1984 Cain
- 4,491,234 A 1/1985 Wilcock

**DESCRIPTION**

FIG. 1 is a perspective view of a carrying device showing one embodiment of the new design with the handle showing phantom;  
FIG. 2 is a left side view of the carrying device of FIG. 1; the right side is a mirror image thereof;  
FIG. 3 is a back view of the carrying device of FIG. 1;  
FIG. 4 is a front view of the carrying device of FIG. 1;  
FIG. 5 is a top view of the carrying device of FIG. 1; and,  
FIG. 6 is a bottom view of the carrying device of FIG. 1.  
The broken line showing of the carrying device is for illustrative purposes only and forms no part of the claimed design.

**1 Claim, 4 Drawing Sheets**



# US D522,241 S

Page 2

---

U.S. PATENT DOCUMENTS					
D353,241 S	12/1994	Breen		D417,935 S	* 12/1999 Primeau ..... D32/53
5,400,916 A	3/1995	Weber		6,062,389 A	* 5/2000 Kent ..... 206/518
5,456,357 A	10/1995	Wenner et al.		D429,862 S	8/2000 Houry et al.
D372,125 S	* 7/1996	Frazier .....	D3/315	6,098,805 A	* 8/2000 Kent ..... 206/518
5,549,216 A	8/1996	Scholl		D431,363 S	10/2000 Boyette et al.
5,669,498 A	9/1997	Fierek et al.		D458,723 S	* 6/2002 Malvasio ..... D32/53.1
D389,626 S	1/1998	Lundy		D470,285 S	2/2003 Pytlewski
D391,717 S	3/1998	Stein		D499,223 S	* 11/2004 Libman et al. .... D32/53
D411,674 S	* 6/1999	Haley et al. ....	D32/53		

\* cited by examiner

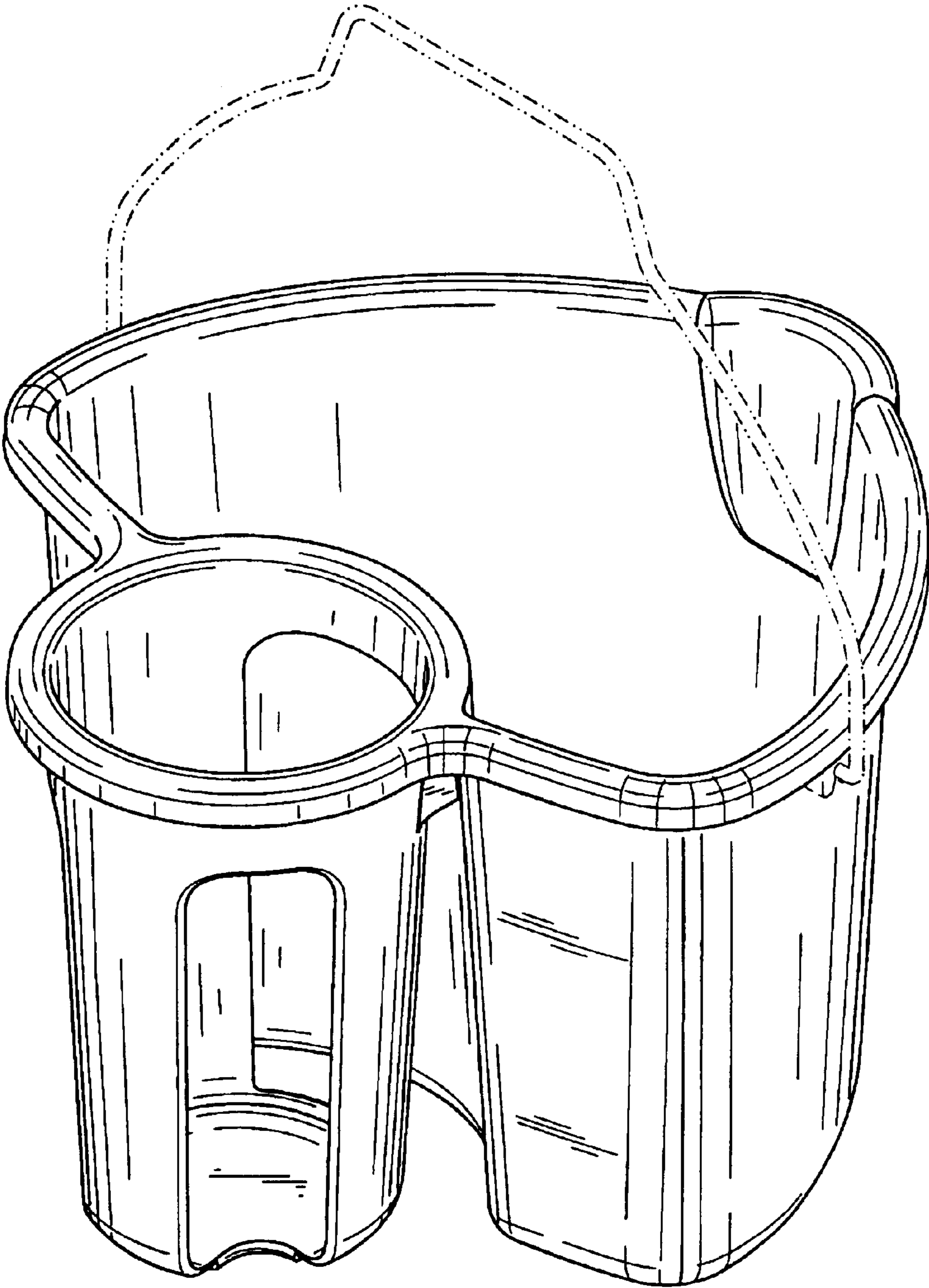


FIG. 1

FIG. 2

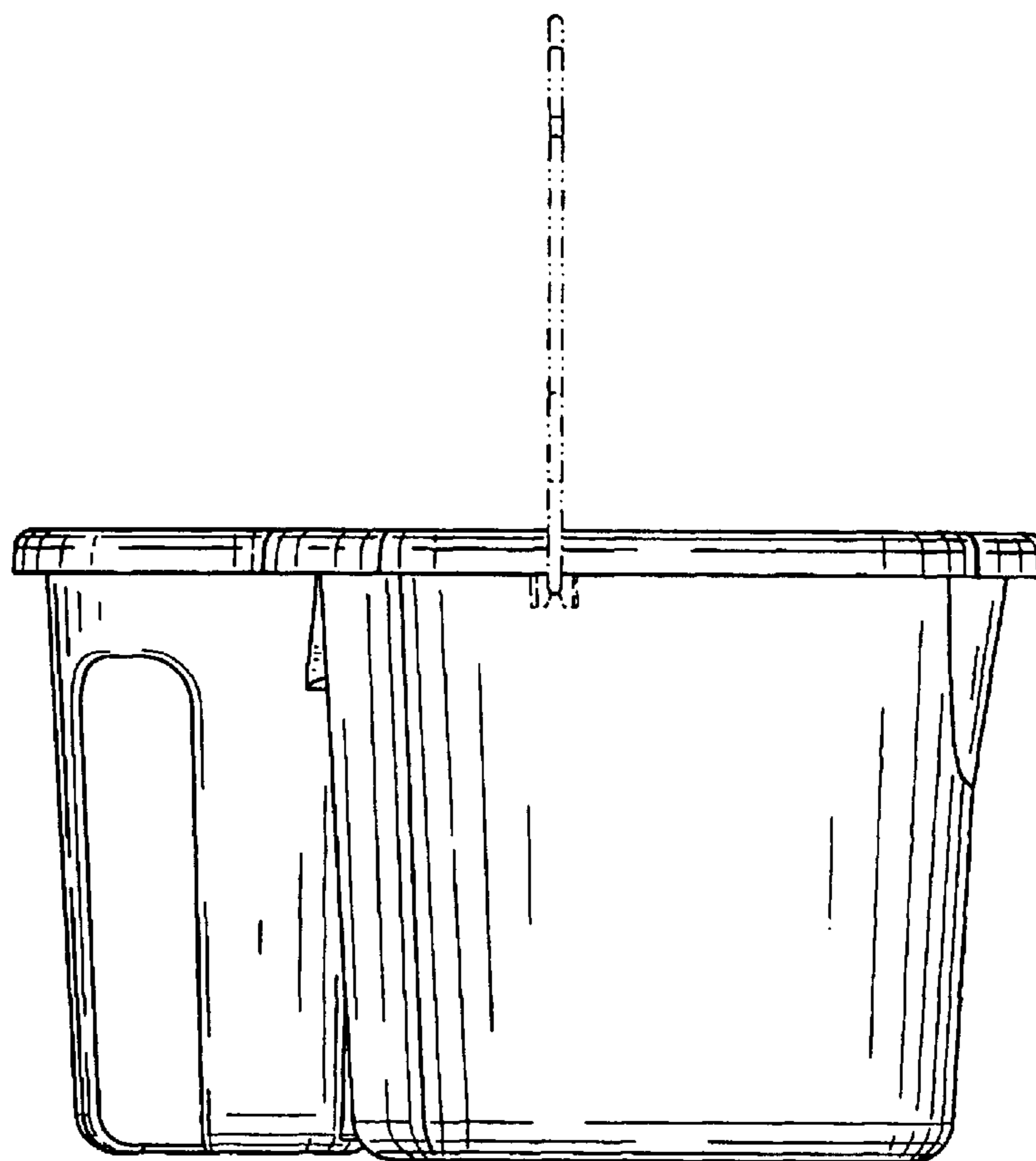


FIG. 3

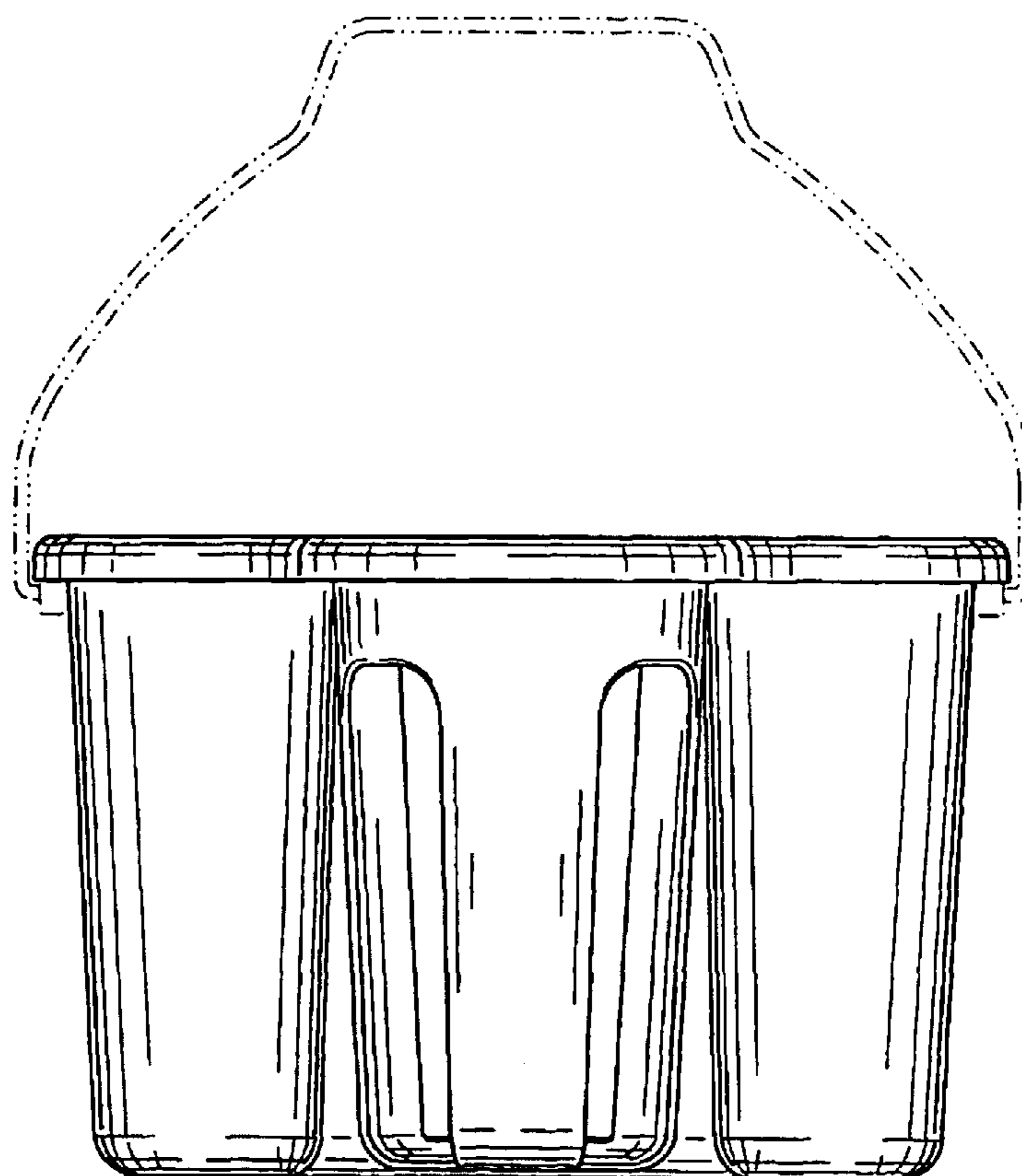




FIG. 4

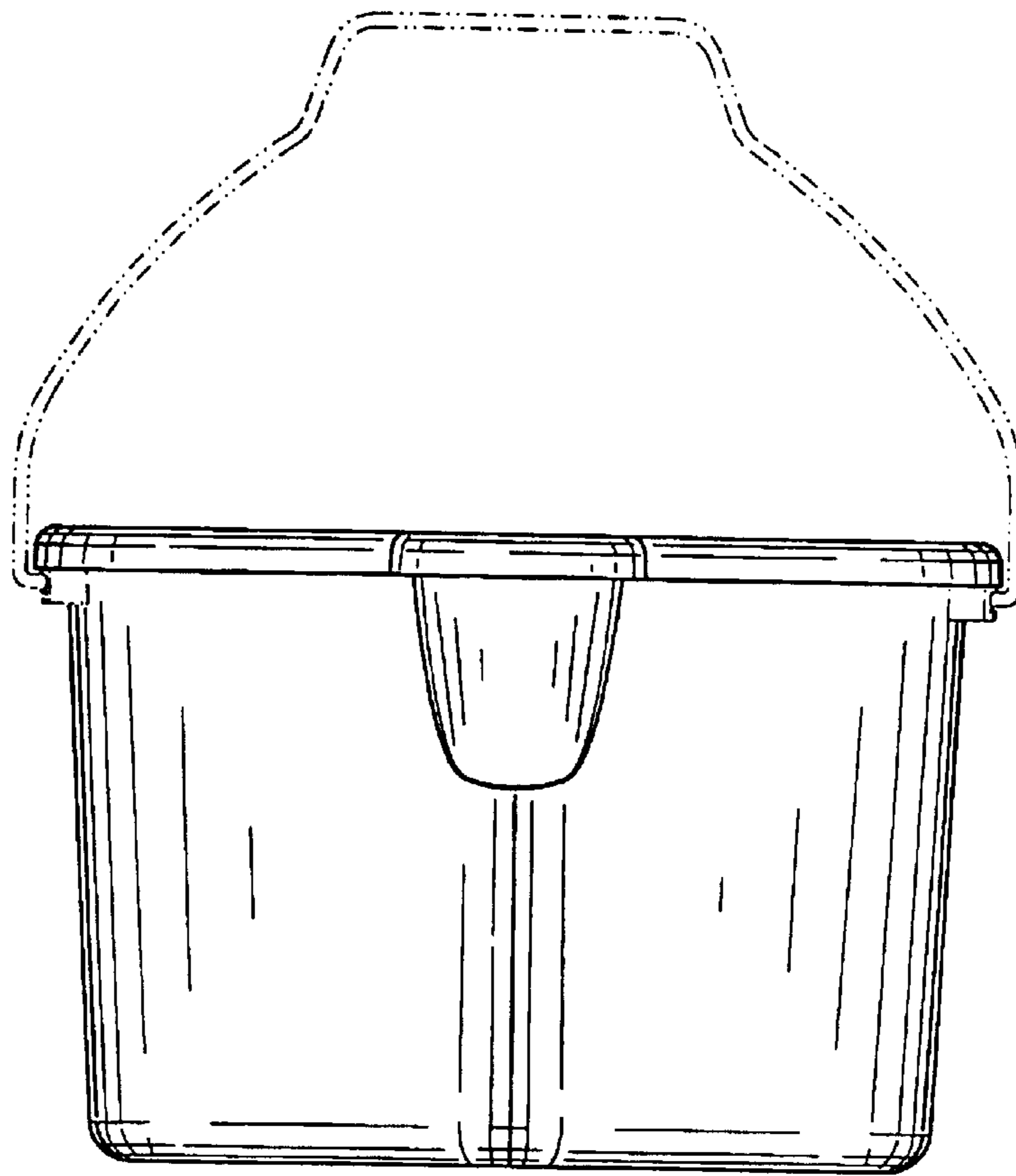


FIG. 5

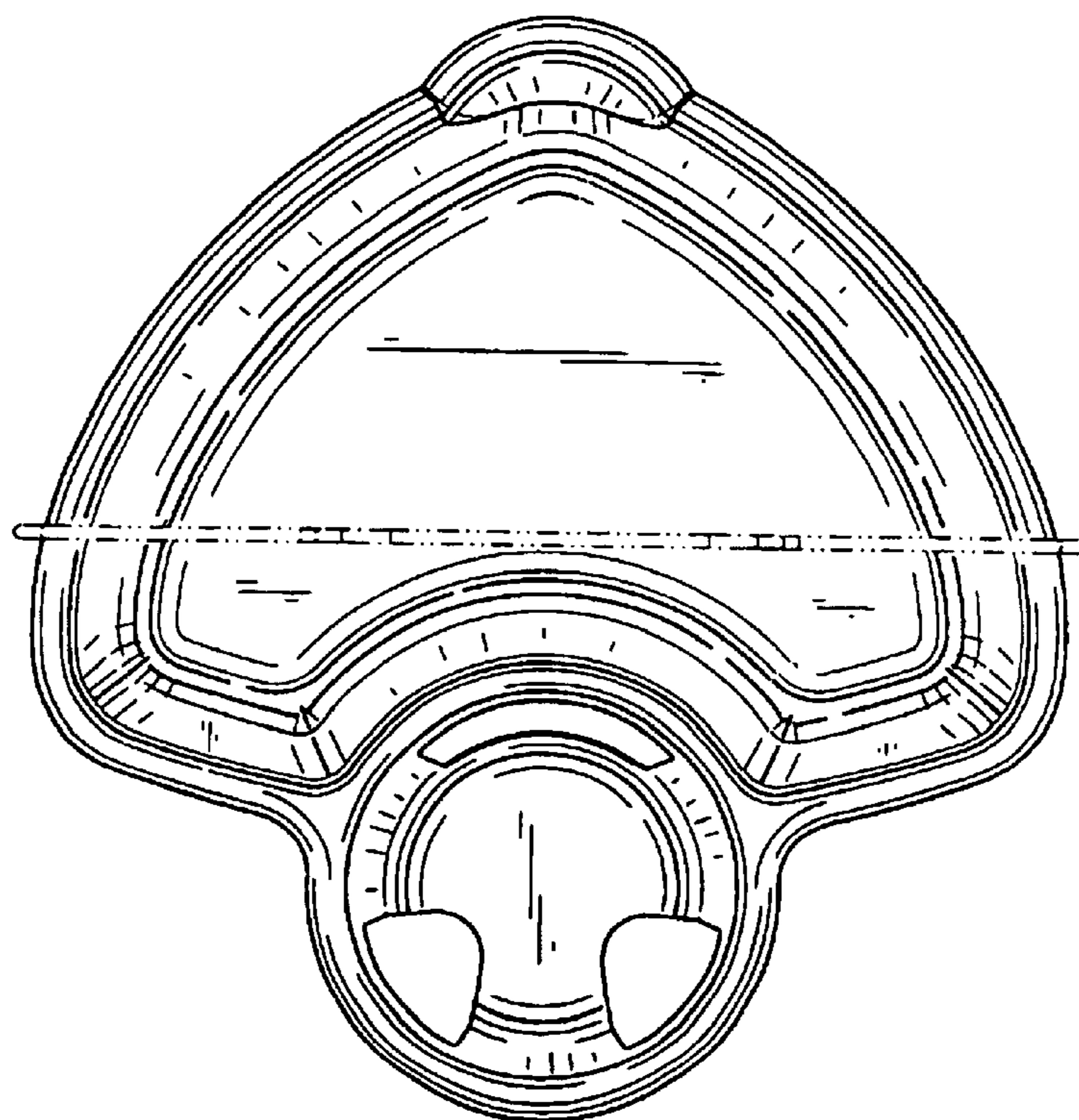


FIG. 6

