

US00D522239S

(12) **United States Design Patent**  
**Herring**

(10) **Patent No.:** **US D522,239 S**

(45) **Date of Patent:** **\*\* Jun. 6, 2006**

(54) **BUSINESS CARD HOLDER**

(76) Inventor: **Dusty Herring**, 1009 Avenue K, Dodge City, KS (US) 67801

(\*\*) Term: **14 Years**

(21) Appl. No.: **29/207,227**

(22) Filed: **Jun. 10, 2004**

(51) **LOC (8) Cl.** ..... **03-01**

(52) **U.S. Cl.** ..... **D3/248**

(58) **Field of Classification Search** ..... D3/201, D3/234, 238, 247, 248, 249, 270, 271.1, 271.11, D3/271.12; D9/672, 675; D19/75, 80, 82, D19/95, 97, 99, 100; D21/424, 427, 433, D21/533, 548, 833; 150/129, 131, 147, 901; 383/907; 40/1.5, 1.6, 586, 587, 654.01, 663; 116/200, 321; 206/37, 39, 39.4, 39.5; 221/60, 221/231, 232, 259, 281; 229/67.1, 67.2, 72

See application file for complete search history.

(56) **References Cited**

**U.S. PATENT DOCUMENTS**

D79,824 S	*	11/1929	Larrabee	.....	D19/80
D113,721 S	*	3/1939	Rosenbaum	.....	D19/75
D117,552 S	*	11/1939	Bojesen	.....	D21/548
4,753,346 A	*	6/1988	Tsuji	.....	D19/82
D316,273 S	*	4/1991	Tsuji	.....	D19/75
D449,342 S	*	10/2001	Dutour	.....	D19/75

\* cited by examiner

*Primary Examiner*—Louis S. Zarfes

*Assistant Examiner*—Kathleen Sims

(74) *Attorney, Agent, or Firm*—Kenneth H. Jack; Davis & Jack, L.L.C.

(57) **CLAIM**

The ornamental design for a business card holder, as shown and described.

**DESCRIPTION**

The article in which the design is embodied comprises a receptacle for storing, displaying, and dispensing business cards.

The intended use of the article in which the design is embodied is storage, displaying, and dispensation of business cards.

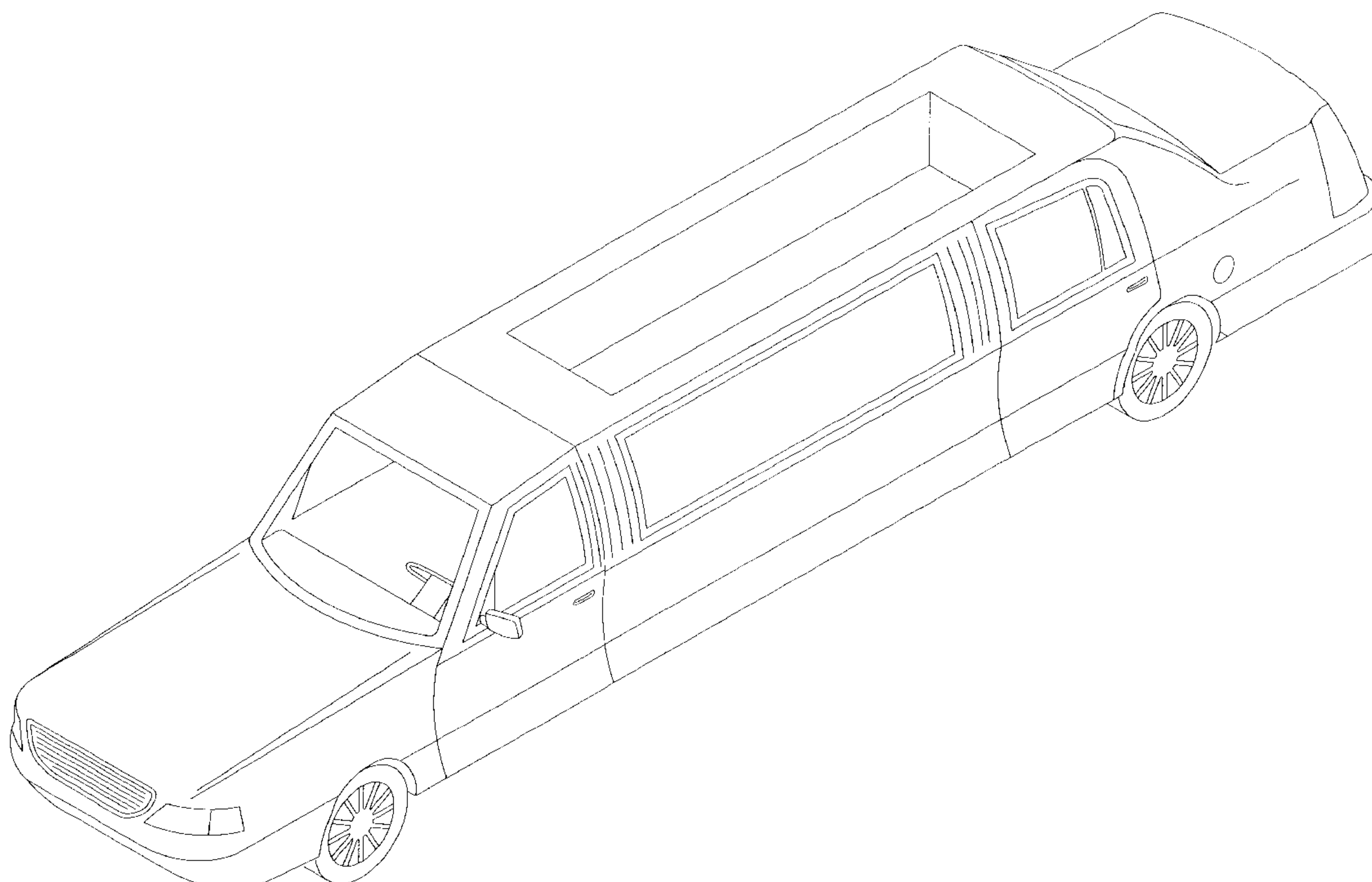
FIG. 1 is a perspective view of a business card holder showing my new design; and,

FIG. 2 is an additional perspective thereof.

(Dashed lines visible through or beneath the windshield structures appearing upon both FIG. 1 and FIG. 2 are representative of interior structure. Additional dashed lines appearing upon FIG. 2 are representative of exemplary business cards held by the inventive business card holder. None of the dashed lines features are intended to constitute or represent an element of the inventive ornamental design.) A characteristic feature of the design resides in the configuration of a business card holder to resemble a stretch limousine.

The broken line showing of environmental matter is for illustrative purposes only and forms no part of the claimed design.

**1 Claim, 2 Drawing Sheets**



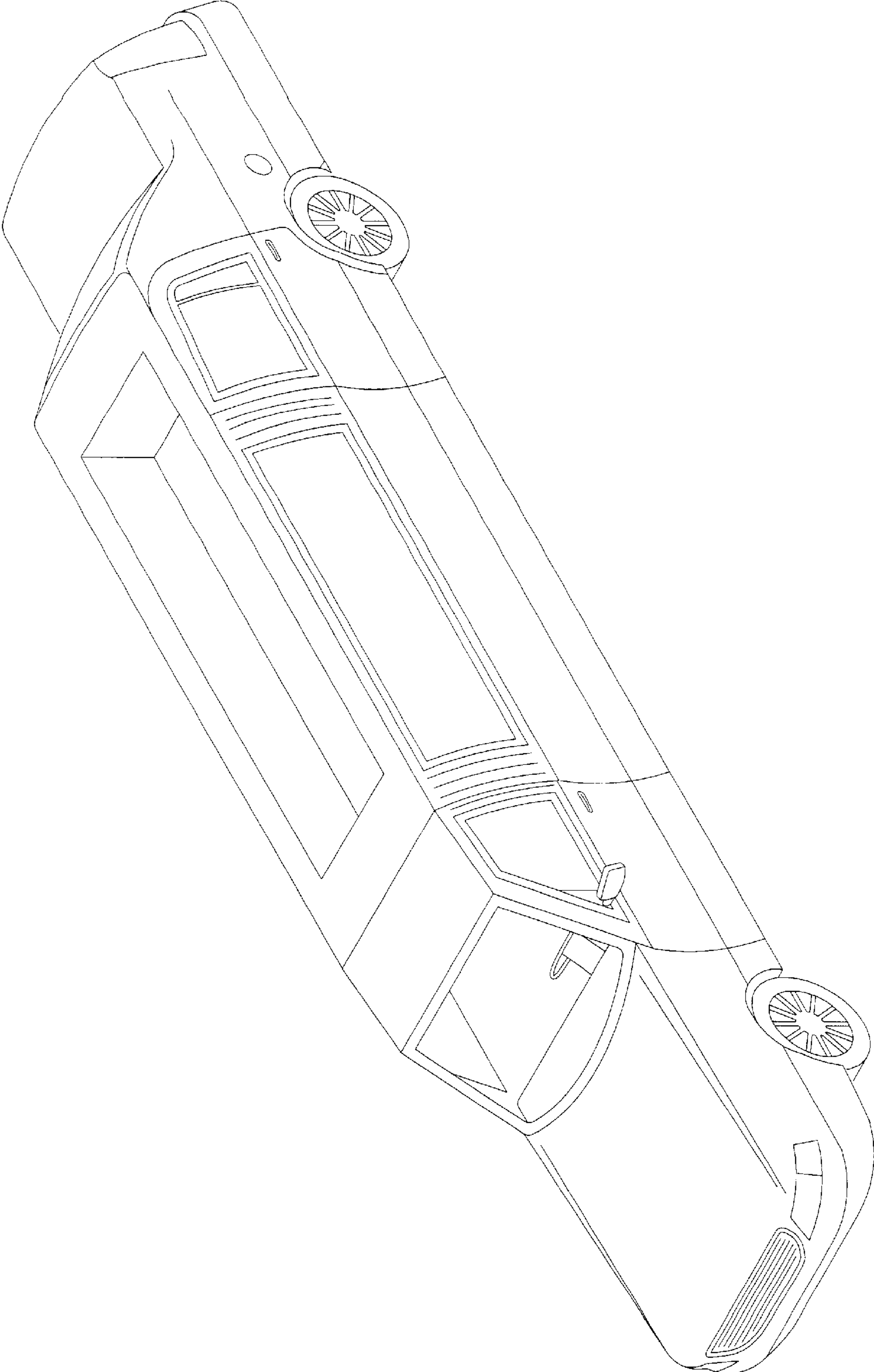


Fig. 1

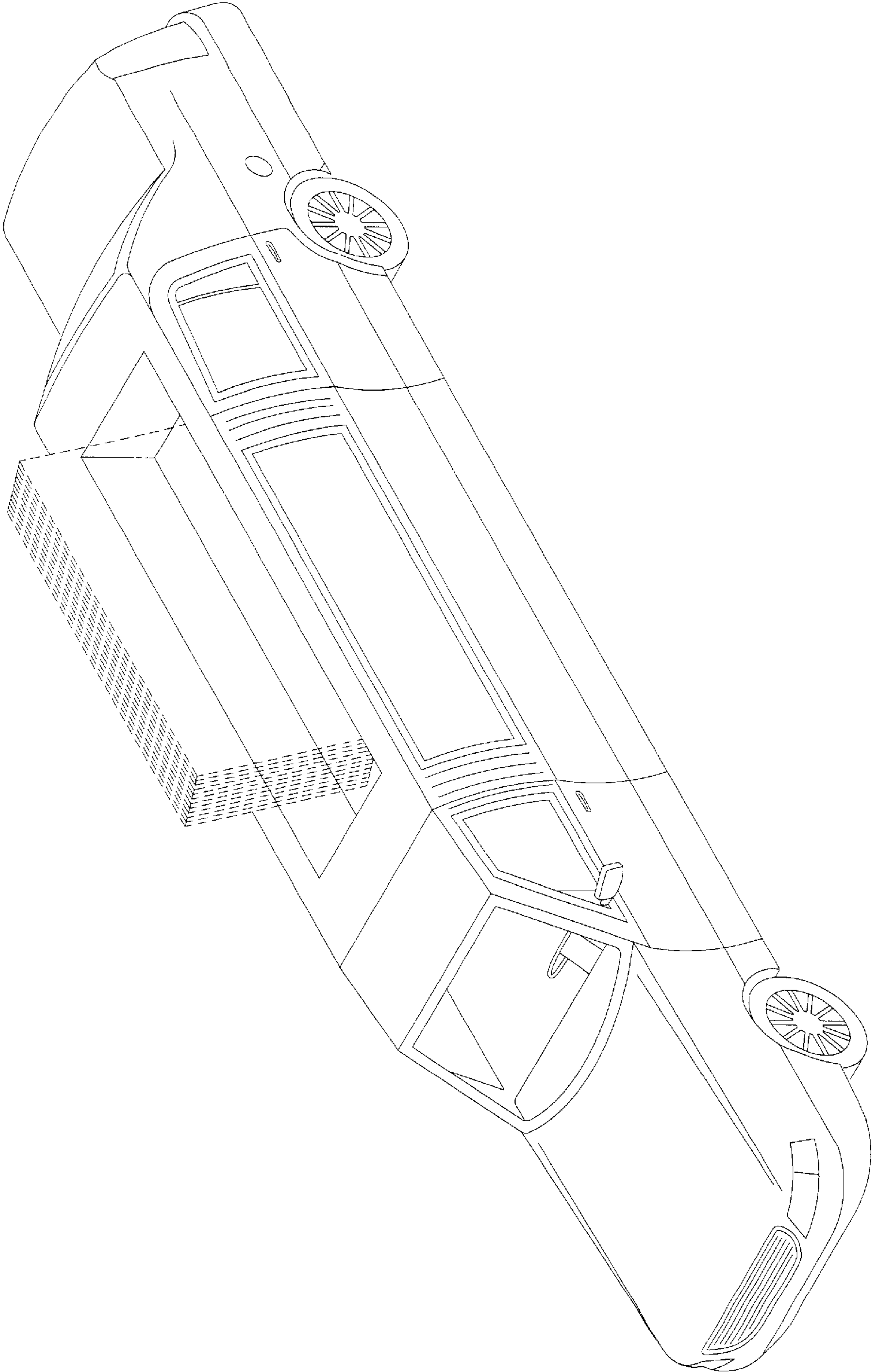


Fig. 2