

US00D522235S

(12) **United States Design Patent**
Kell et al.

(10) **Patent No.:** **US D522,235 S**

(45) **Date of Patent:** **** Jun. 6, 2006**

(54) **KEY FOB**

(75) Inventors: **Curtis Kell**, Burlington, WI (US);
Timothy Gill, San Pedro, CA (US);
Steven Probert, San Pedro, CA (US);
Arthur Mariduena, Lakewood, CA (US)

(73) Assignee: **Key Control Holding, Inc.**, Houston, TX (US)

(**) Term: **14 Years**

(21) Appl. No.: **29/207,149**

(22) Filed: **Jun. 8, 2004**

(51) **LOC (8) Cl.** **03-01**

(52) **U.S. Cl.** **D3/211**

(58) **Field of Classification Search** D3/207-212;
206/37.1, 38.1; 150/147; 70/456 R, 456 B,
70/458-459; 24/3 K, 3.6; D16/100; D26/38
See application file for complete search history.

(56) **References Cited**

U.S. PATENT DOCUMENTS

D210,800 S * 4/1968 Brinkman D3/212

D357,051 S * 4/1995 Strenkowski D22/117
D421,522 S * 3/2000 Chang D3/208
D485,505 S * 1/2004 Cohen D11/60
D501,715 S * 2/2005 Etienne D3/211

* cited by examiner

Primary Examiner—Ralf Seifert

(74) *Attorney, Agent, or Firm*—Jack Walker L.L.P.; Mark A. Tidwell, Esq.

(57) **CLAIM**

The ornamental design for a key fob, as shown and described.

DESCRIPTION

This patent is related to concurrently filed U.S. Utility Patent Application entitled Storing and Accessing Keys assigned to U.S. Ser. No. 10/864,558.

FIG. 1 is a front perspective view of a key fob.

FIG. 2 is a back perspective view of the key fob.

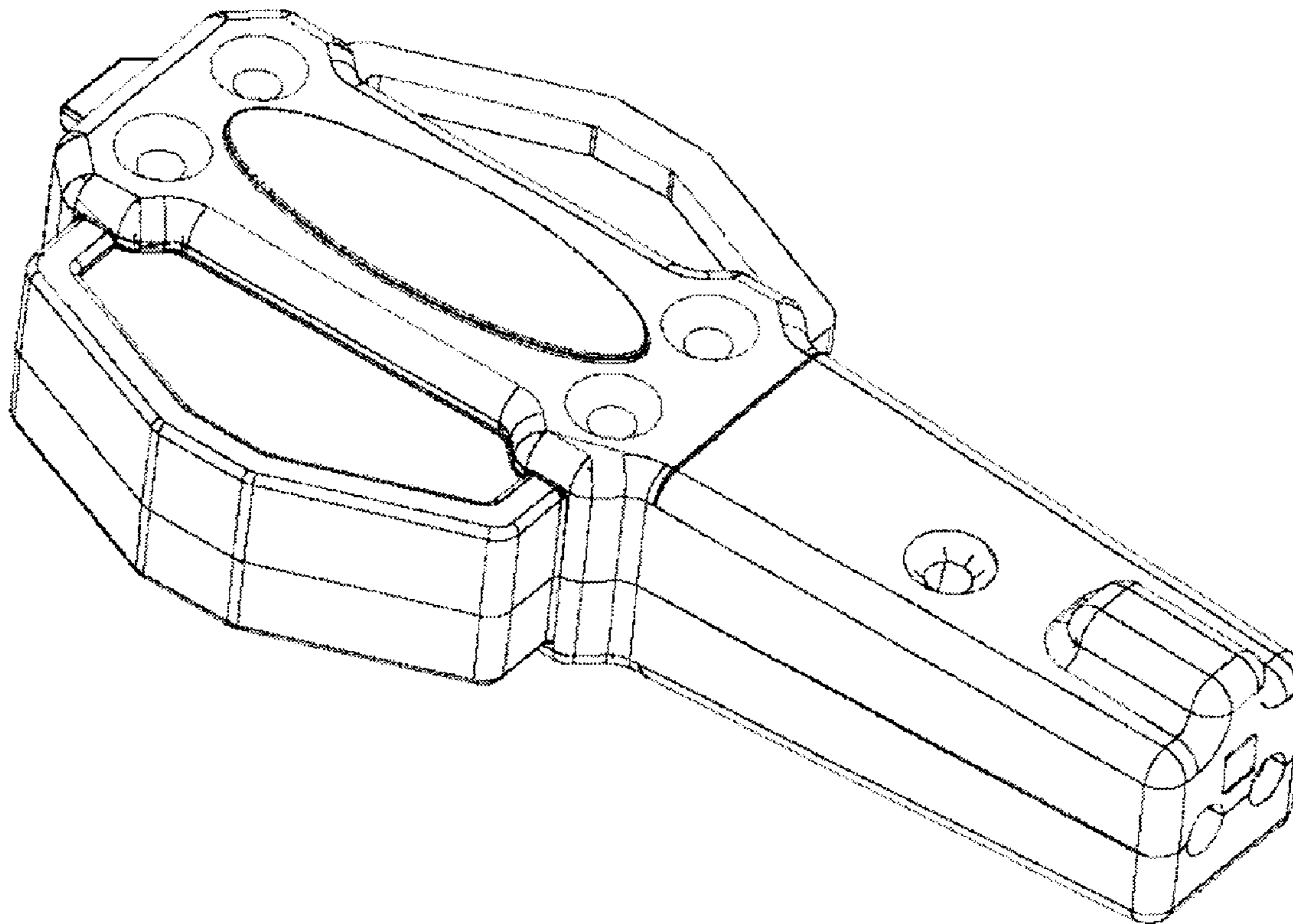
FIG. 3 is a top view of the key fob.

FIG. 4 is a bottom view of the key fob.

FIG. 5 is a left side view of the key fob; and,

FIG. 6 is a right side view of the key fob.

1 Claim, 6 Drawing Sheets



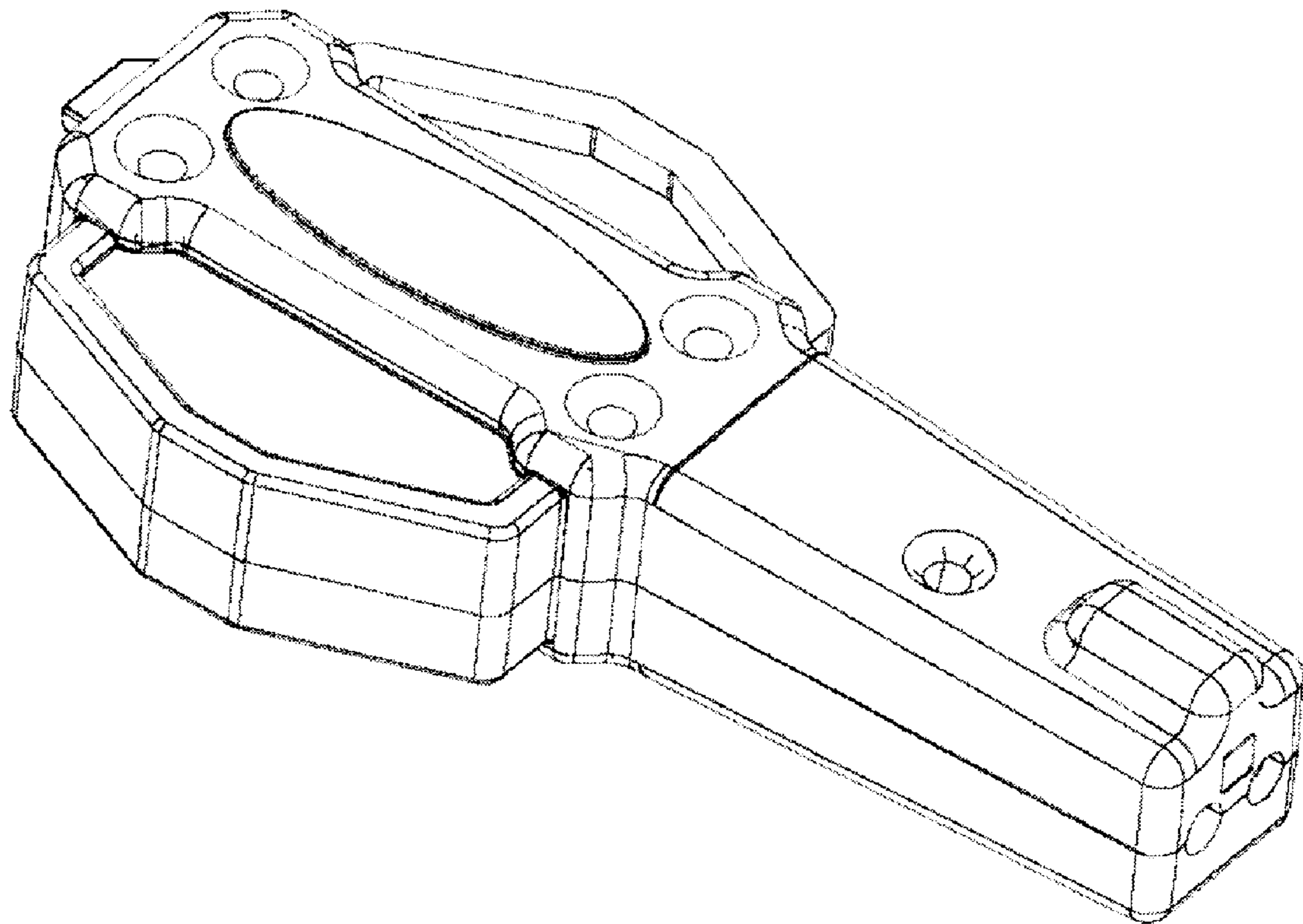


FIG. 1

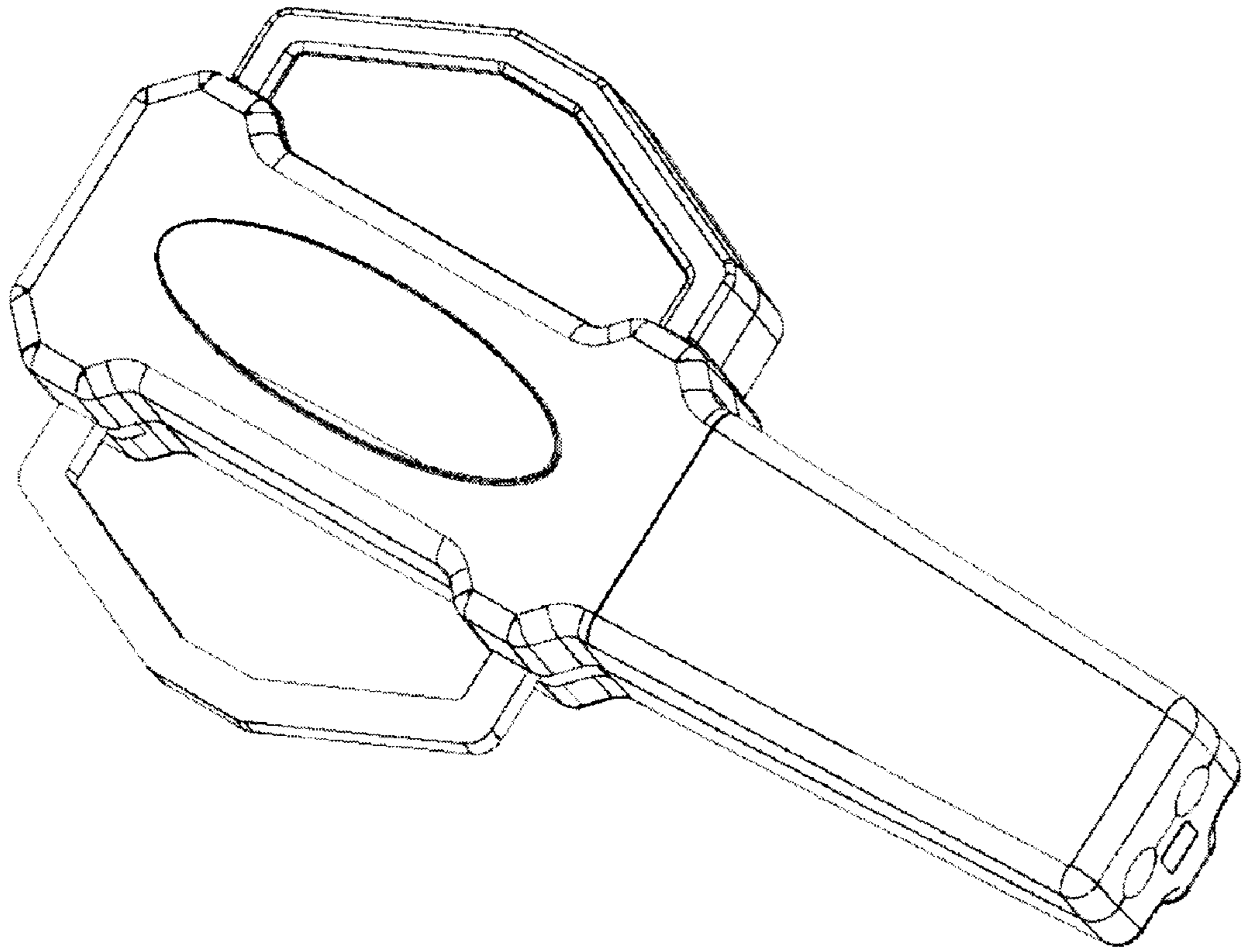


FIG. 2

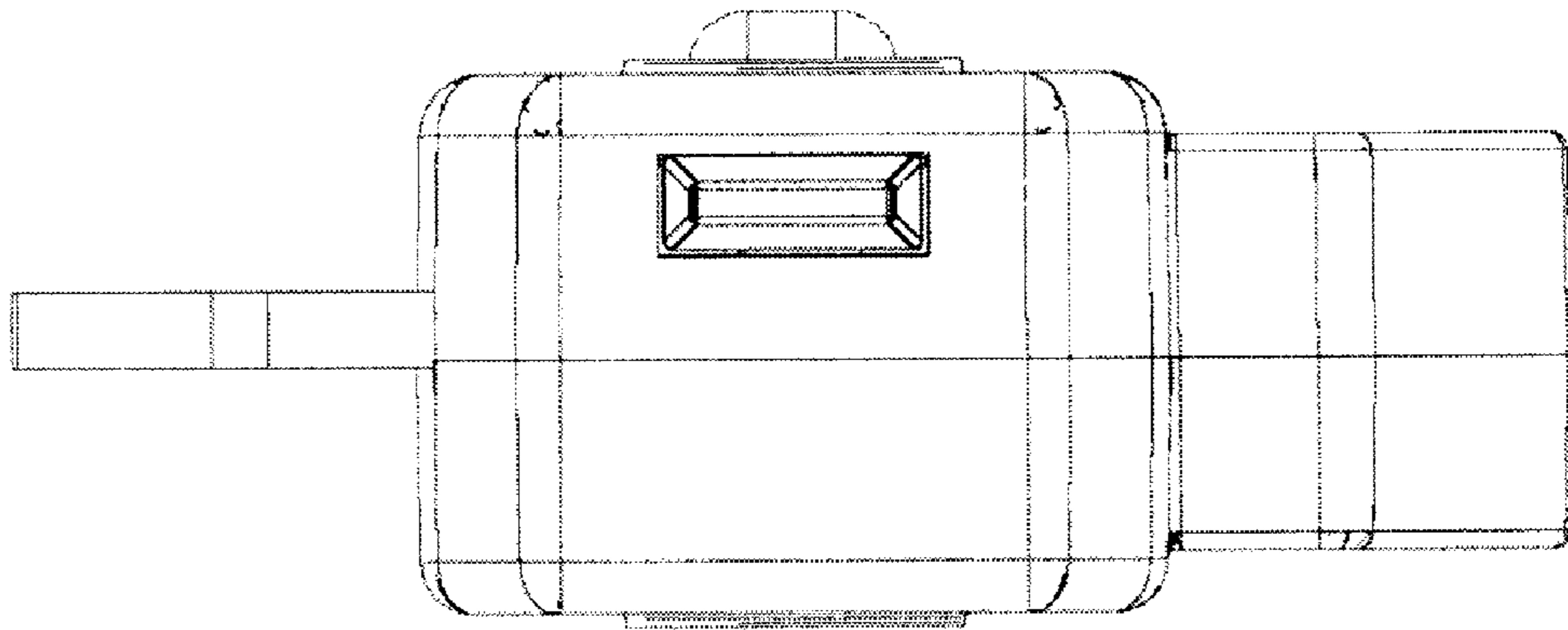


FIG. 3

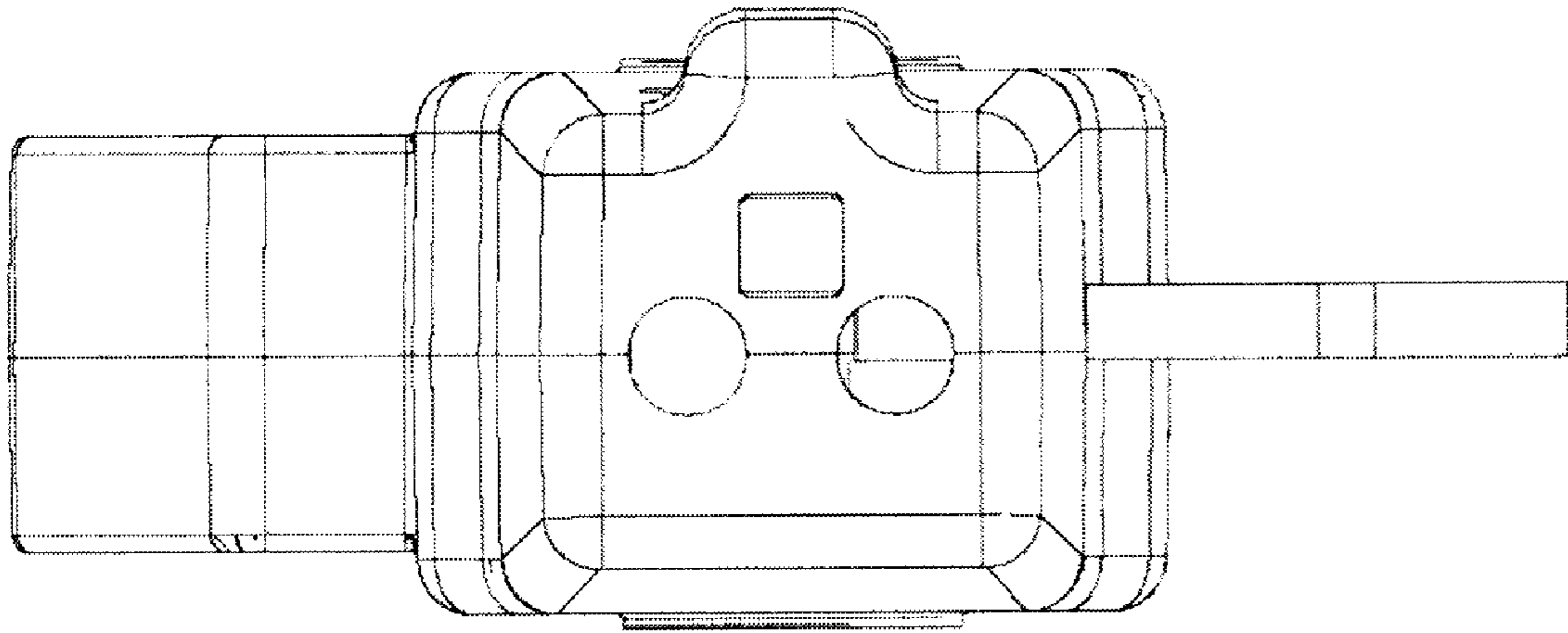


FIG. 4

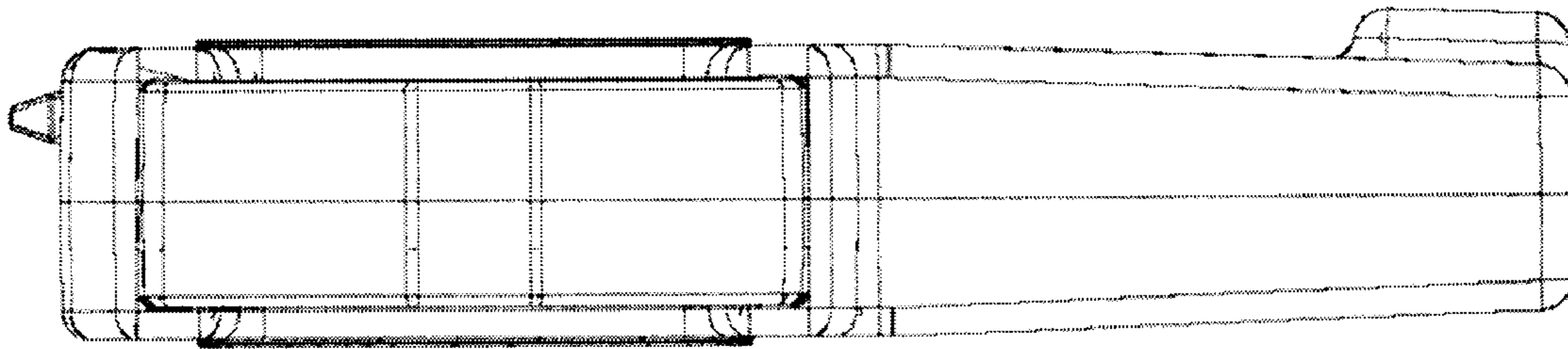


FIG. 5

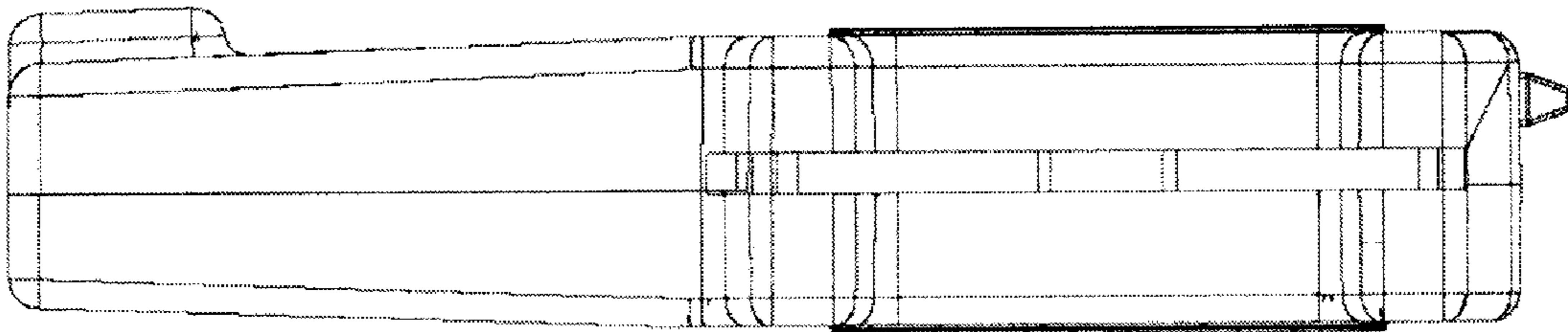


FIG. 6