



US00D522234S

(12) **United States Design Patent**
Murphy

(10) **Patent No.:** **US D522,234 S**

(45) **Date of Patent:** **** Jun. 6, 2006**

(54) **KEYCHAIN WITH LIGHT**

D478,720 S * 8/2003 Lo D3/209
D505,782 S * 6/2005 Chen D3/209

(75) Inventor: **Michael Murphy**, Wilmette, IL (US)

* cited by examiner

(73) Assignee: **The Faucet-Queens, Inc.**, Vernon Hills, IL (US)

Primary Examiner—Ralf Seifert

(74) *Attorney, Agent, or Firm*—Kwadjo Adusei-Poku; Lloyd D. Doigan

(**) Term: **14 Years**

(57) **CLAIM**

(21) Appl. No.: **29/229,261**

The ornamental design for a keychain with light, as shown and described.

(22) Filed: **May 5, 2005**

DESCRIPTION

(51) **LOC (8) Cl.** **03-01**

(52) **U.S. Cl.** **D3/209; D3/209**

(58) **Field of Classification Search** D3/207–212;
206/37.1, 38.1; 150/147; 70/456 R, 456 B,
70/458–459; 24/3 K, 3.6, 100; D11/44, 48
See application file for complete search history.

FIG. 1 is a front perspective view of a keychain with light showing my design;

FIG. 2 is a front elevational view thereof;

FIG. 3 is a right-side elevational view thereof;

FIG. 4 is a rear elevational view thereof;

FIG. 5 is a left-side elevational view thereof;

FIG. 6 is a bottom plan view thereof; and,

FIG. 7 is a top plan view thereof.

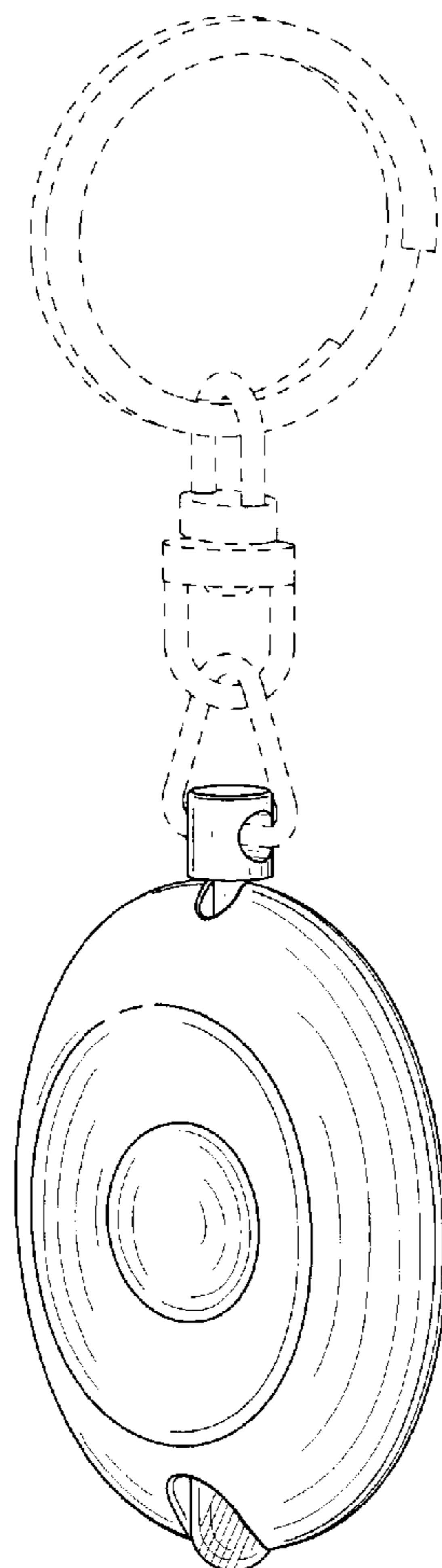
The broken lines in the Figures are for illustrative purposes only and form no part of the claimed design.

(56) **References Cited**

U.S. PATENT DOCUMENTS

D380,896 S * 7/1997 Grant D3/208
D449,734 S * 10/2001 Shing D3/209
D476,805 S * 7/2003 Kan D3/209

1 Claim, 7 Drawing Sheets



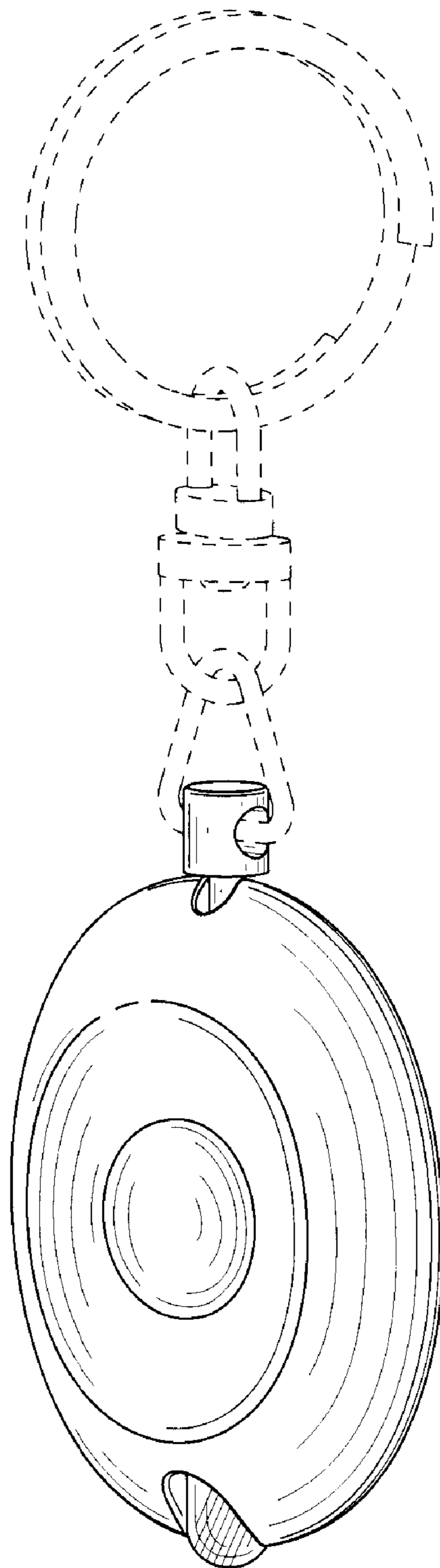


FIG. 1

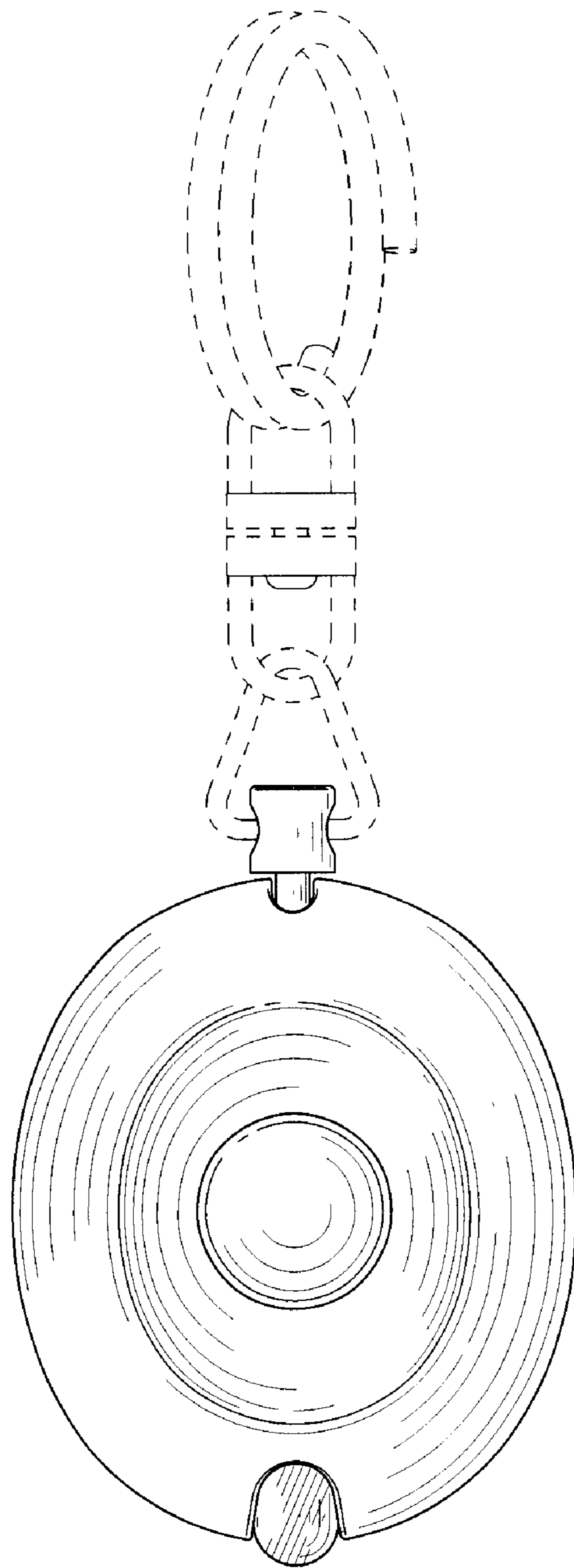


FIG. 2

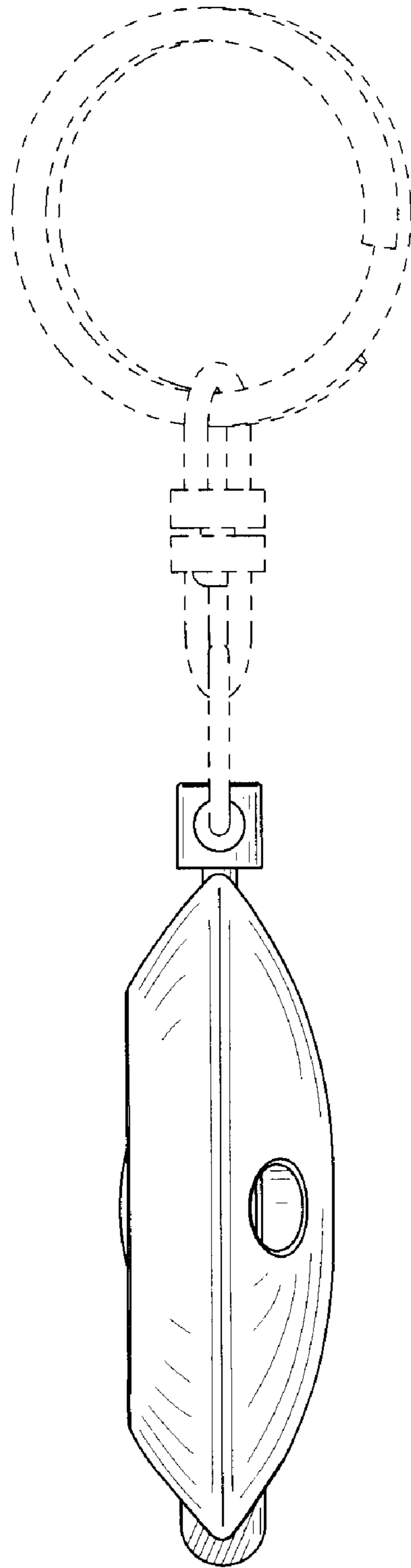


FIG. 3

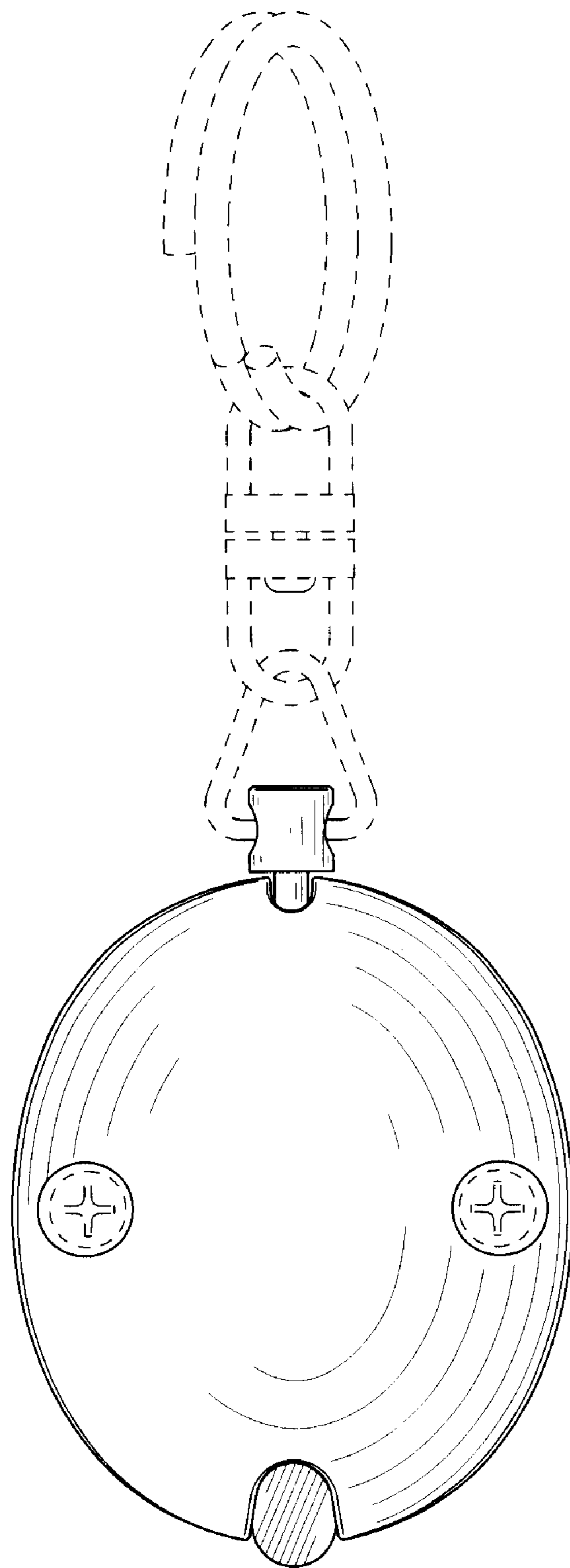


FIG. 4

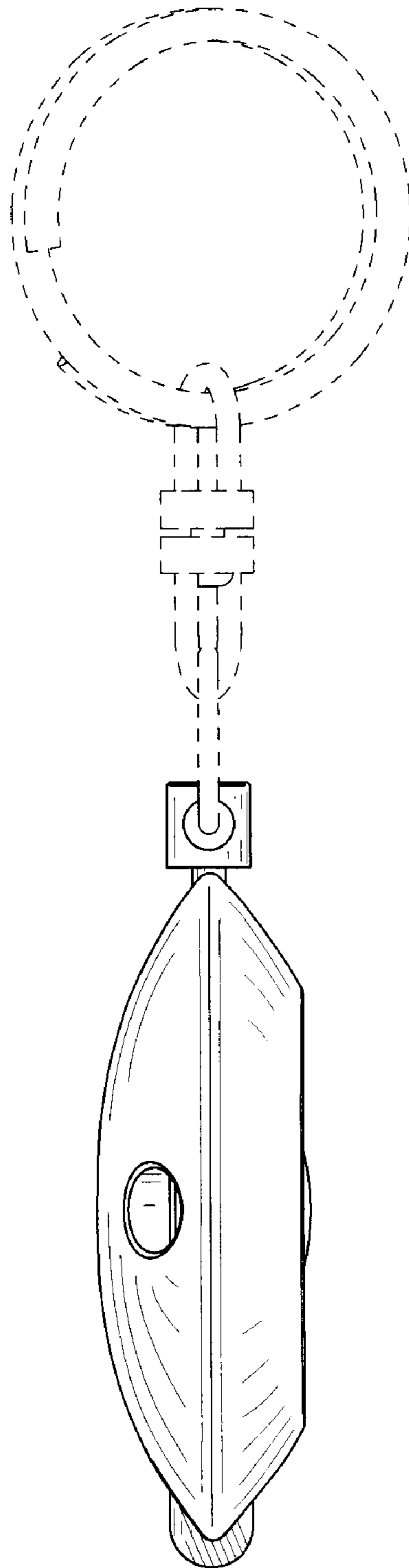


FIG. 5

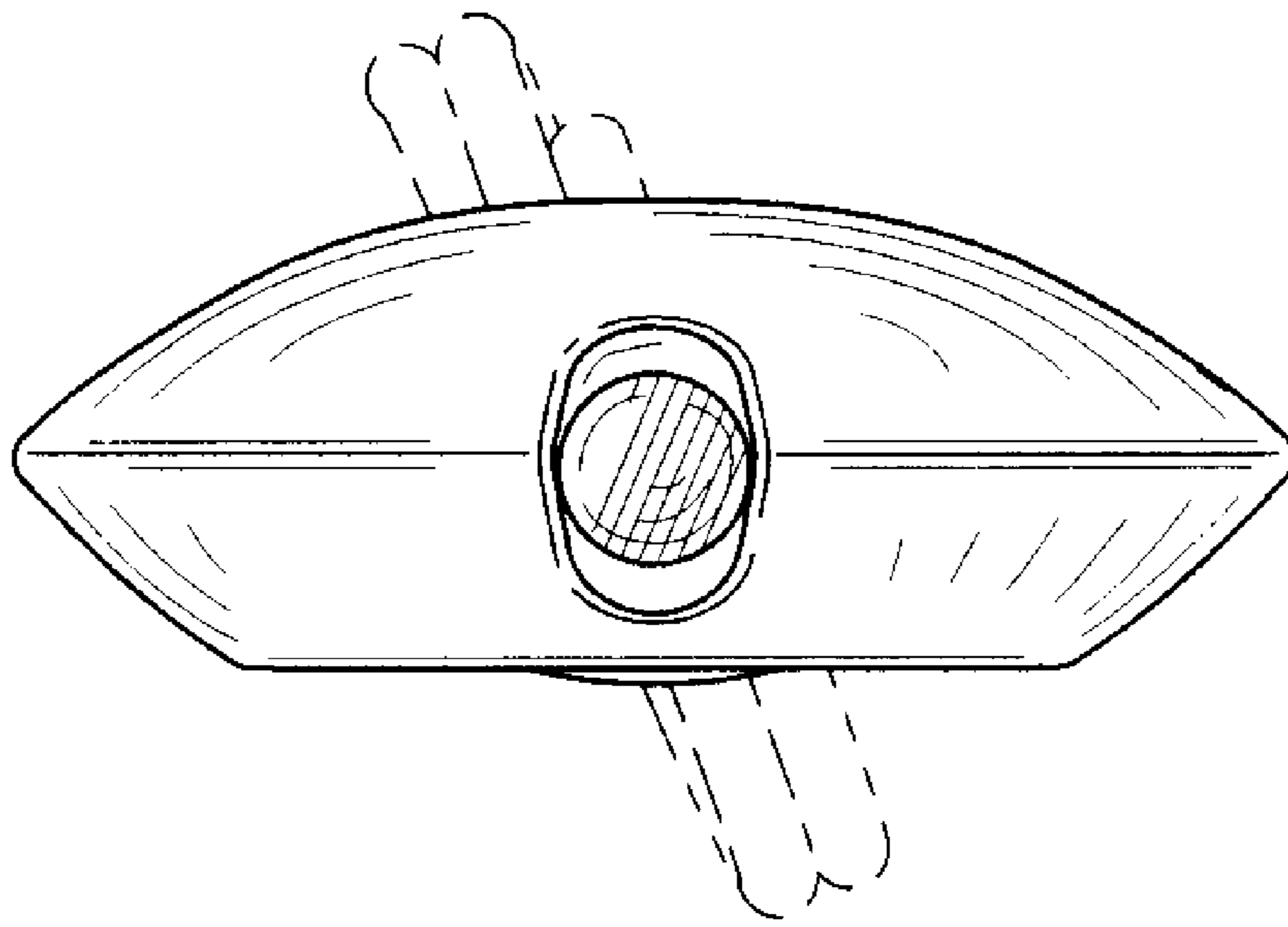


FIG. 6

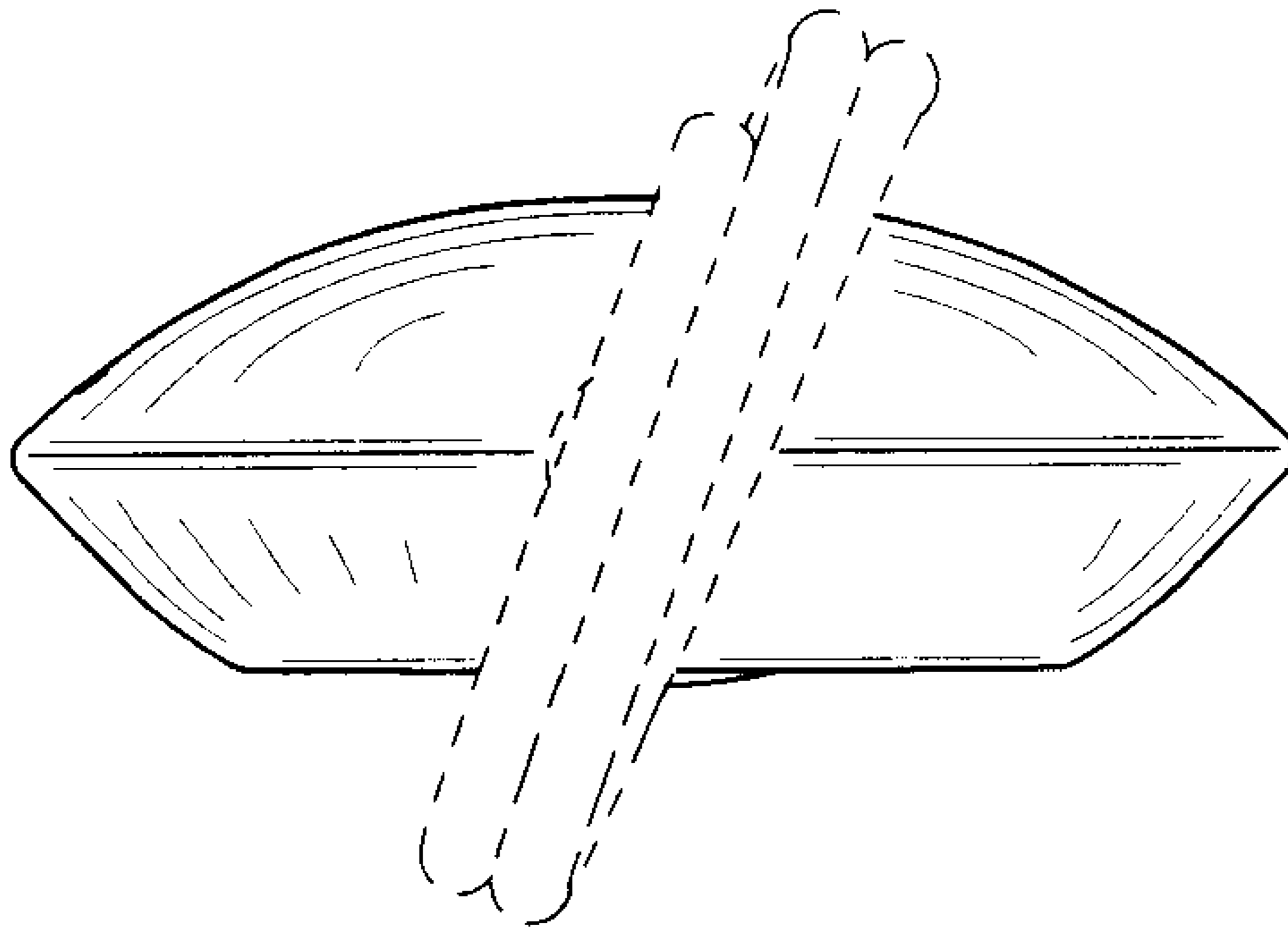


FIG. 7