



US00D522232S

(12) **United States Design Patent** (10) **Patent No.:** **US D522,232 S**  
**Karasin et al.** (45) **Date of Patent:** **\*\* Jun. 6, 2006**

(54) **BASE FOR A CANE**

(75) Inventors: **Craig Karasin**, Moorestown, NJ (US);  
**Robert Popek**, Doylestown, PA (US);  
**David Reed**, Langhorne, PA (US);  
**Thomas J. Powers**, Fairless Hills, PA (US)

(73) Assignee: **Full Life Products, LLC**, Moorestown, NJ (US)

(\*\*) Term: **14 Years**

(21) Appl. No.: **29/215,899**

(22) Filed: **Oct. 25, 2004**

(51) **LOC (8) Cl.** ..... **03-03**

(52) **U.S. Cl.** ..... **D3/10**

(58) **Field of Classification Search** ..... 135/65,  
135/68, 72, 74, 75, 77, 80, 910, 911, 85, 912,  
135/66; D8/300, 303; 362/101, 102; D3/5-17  
See application file for complete search history.

(56) **References Cited**

**U.S. PATENT DOCUMENTS**

1,307,058	A	6/1919	McGrath	
D187,450	S	* 3/1960	Maxwell	D3/9
3,133,551	A	* 5/1964	Murcott	135/69
3,157,187	A	* 11/1964	Murcott	135/68
3,165,314	A	1/1965	Clearman et al.	
3,350,095	A	10/1967	Clasen	
D229,728	S	* 12/1973	Thomas	D3/9
D230,531	S	* 2/1974	Thomas	D3/9
3,884,327	A	5/1975	Zigman	
4,044,784	A	* 8/1977	Smith	135/67
4,046,374	A	9/1977	Breyley	
4,091,828	A	* 5/1978	Jorgensen	135/66
4,106,521	A	8/1978	Thomas	
4,135,535	A	1/1979	Thomas	

(Continued)

**OTHER PUBLICATIONS**

Roller Cane Co. advertisement, 1 pg., no date.\*

Roller Cane Walker Co. advertisement, 1 pg., no date.\*

Roller Cane Walker with Brake advertisement, Traveling Helper, 2 pgs., no date.\*

Roller Cane Walker with Brake advertisement, Companion, 1 pg., no date.\*

U.S. Appl. No. 11/107,198, filed Apr. 15, 2005, Tartaglia.

U.S. Appl. No. 11/107,260, filed Apr. 15, 2005, Tartaglia.

U.S. Appl. No. 29/215,880, filed Oct. 25, 2004, Karasin et al.

U.S. Appl. No. 29/215,837, filed Oct. 25, 2004, Vellrath.

U.S. Appl. No. 29/215,901, filed Oct. 25, 2004, Vellrath.

U.S. Appl. No. 29/215,881, filed Oct. 25, 2004, Karasin et al.

U.S. Appl. No. 29/215,882, filed Oct. 25, 2004, Vellrath.

U.S. Appl. No. 29/215,836, filed Oct. 25, 2004, Karasin et al.

U.S. Appl. No. 29/215,883, filed Oct. 25, 2004, Reed et al.

U.S. Appl. No. 29/215,902, filed Oct. 25, 2004, Reed et al.

U.S. Appl. No. 29/215,839, filed Oct. 25, 2004, Vellrath.

Declaration of John Tartaglia, executed on May 4, 2005.

*Primary Examiner*—Sandra S. Snapp

(74) *Attorney, Agent, or Firm*—Morgan, Lewis & Bockius LLP

(57) **CLAIM**

The ornamental design for a base for a cane, as shown and described.

**DESCRIPTION**

FIG. 1 is an isometric view of a base for a cane in accordance with the invention;

FIG. 2 is a front view of a base for a cane;

FIG. 3 is a left side view of a base for a cane;

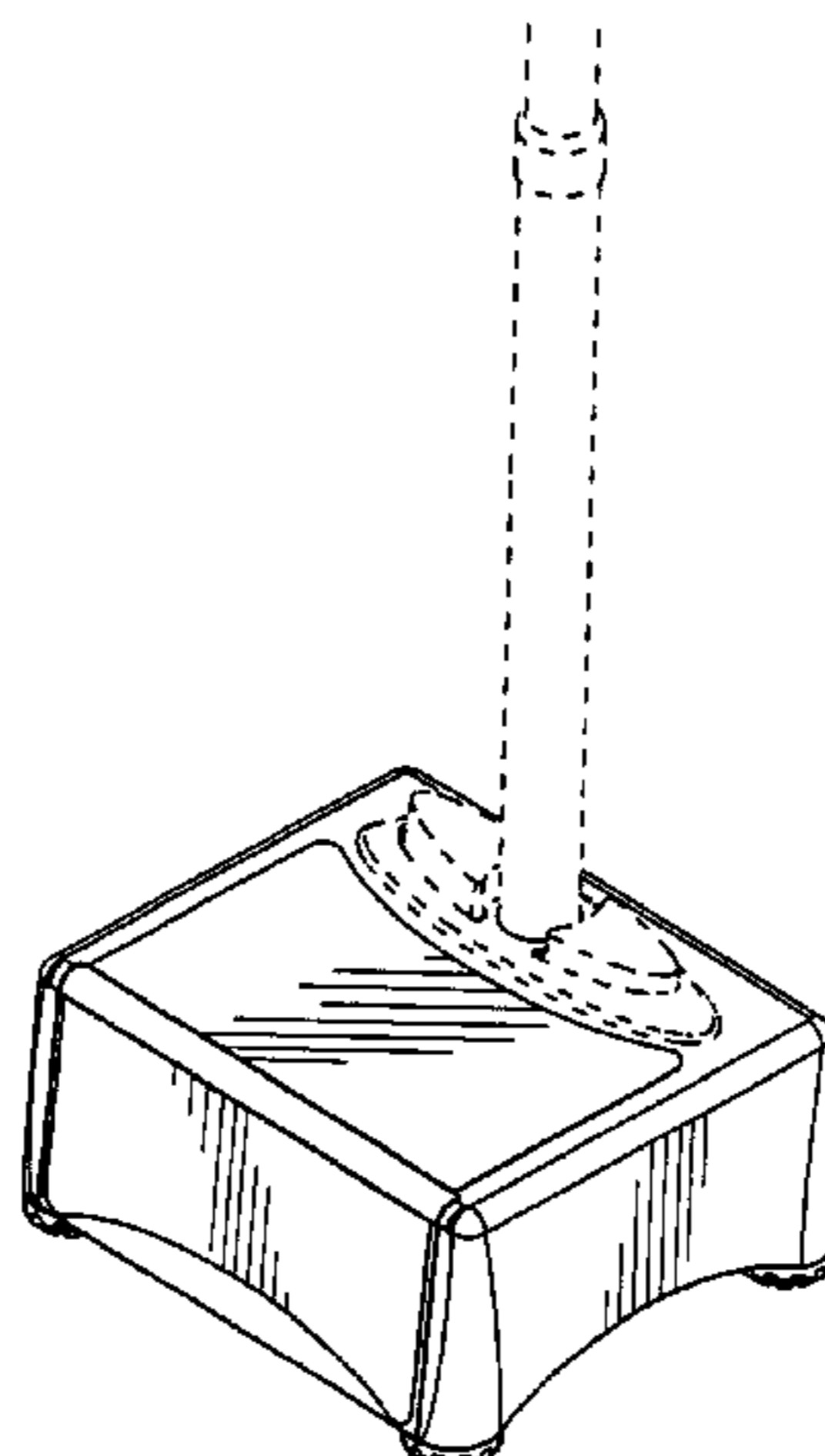
FIG. 4 is a top view of a base for a cane;

FIG. 5 is a right side view of a base for a cane; and,

FIG. 6 is a rear view of a base for a cane.

The broken line showing of an upright cane portion, buttons, and a raised boundary substantially surrounding the buttons are for illustrative purposes only and form no part of the claimed design.

**1 Claim, 2 Drawing Sheets**



# US D522,232 S

Page 2

## U.S. PATENT DOCUMENTS

4,258,735	A	*	3/1981	Meade	.....	135/65	5,636,651	A	6/1997	Einbinder	
4,274,430	A	*	6/1981	Schaaf et al.	.....	135/65	5,692,533	A	12/1997	Meltzer	
4,341,381	A		7/1982	Norberg			5,785,070	A	7/1998	Block et al.	
4,342,465	A		8/1982	Stillings			5,794,638	A	*	8/1998	Richey et al. ....
D272,677	S	*	2/1984	Bove et al.	.....	D3/9	D401,192	S	11/1998	Gagnon	
4,559,962	A		12/1985	Marchiano			D411,343	S	6/1999	Brightbill et al.	
4,601,302	A		7/1986	Breen et al.			D411,653	S	*	6/1999	Richey et al. ....
D290,186	S	*	6/1987	Meunchen	.....	D3/9	5,941,262	A	*	8/1999	Tschirhart
D295,694	S		5/1988	Mace			5,954,074	A	9/1999	Mattson	
4,787,405	A		11/1988	Karwoski			6,003,532	A	12/1999	Pi	
4,796,648	A		1/1989	Goulter			D422,747	S	*	4/2000	Evans
4,834,127	A		5/1989	Van Sice			D428,367	S	7/2000	Lundh	
4,962,781	A		10/1990	Kanbar			6,158,453	A	12/2000	Nasco	
4,993,446	A		2/1991	Yarbrough			D439,625	S	3/2001	Tamaribuchi	
4,997,001	A	*	3/1991	DiCarlo	.....	135/65	D441,162	S	4/2001	Grove et al.	
5,056,545	A		10/1991	Spaeth			6,217,056	B1	4/2001	Tsuchie	
D324,946	S	*	3/1992	Karten	.....	D3/17	D444,605	S	7/2001	Porter	
5,112,044	A		5/1992	Dubats			D448,151	S	9/2001	Outlaw	
D329,538	S		9/1992	Rau			6,318,392	B1	11/2001	Chen	
5,156,176	A		10/1992	Doorenbos			6,338,355	B1	1/2002	Cheng	
5,188,138	A		2/1993	Yamasaki et al.			D455,985	S	4/2002	Olivares	
5,201,334	A		4/1993	Tseng			D457,840	S	5/2002	Hsia	
5,238,013	A	*	8/1993	Battiston et al.	.....	135/75	6,494,469	B1	12/2002	Hara et al.	
5,282,486	A		2/1994	Hoover			D468,669	S	1/2003	Hopely, Jr.	
5,301,704	A		4/1994	Brown			D480,995	S	10/2003	Owens	
5,307,828	A	*	5/1994	Gardner et al.	.....	135/82	6,675,820	B1	1/2004	Balan	
5,318,057	A	*	6/1994	Wallum	.....	135/65	6,708,705	B1	3/2004	Nasco, Sr.	
5,339,850	A		8/1994	Mertz			6,715,794	B1	4/2004	Frank	
5,355,904	A		10/1994	Wallum			D494,109	S	8/2004	Karasin et al.	
5,385,163	A	*	1/1995	Fairchild	.....	135/65	6,877,519	B1	4/2005	Fink	
5,390,687	A	*	2/1995	Tsai	.....	135/65	D506,419	S	6/2005	Coster	
5,392,800	A		2/1995	Sergi			2001/0038186	A1	11/2001	Wychozowycz	
5,392,801	A		2/1995	Hannoosh et al.			2003/0094191	A1	5/2003	Lin	
5,482,070	A		1/1996	Kelly			2003/0111100	A1	6/2003	Bell et al.	
5,495,867	A		3/1996	Block			2004/0216776	A1	11/2004	Otis	
5,499,645	A	*	3/1996	Baliga	.....	135/67	2005/0093326	A1	5/2005	Miller et al.	
5,588,457	A		12/1996	Tartaglia							

\* cited by examiner

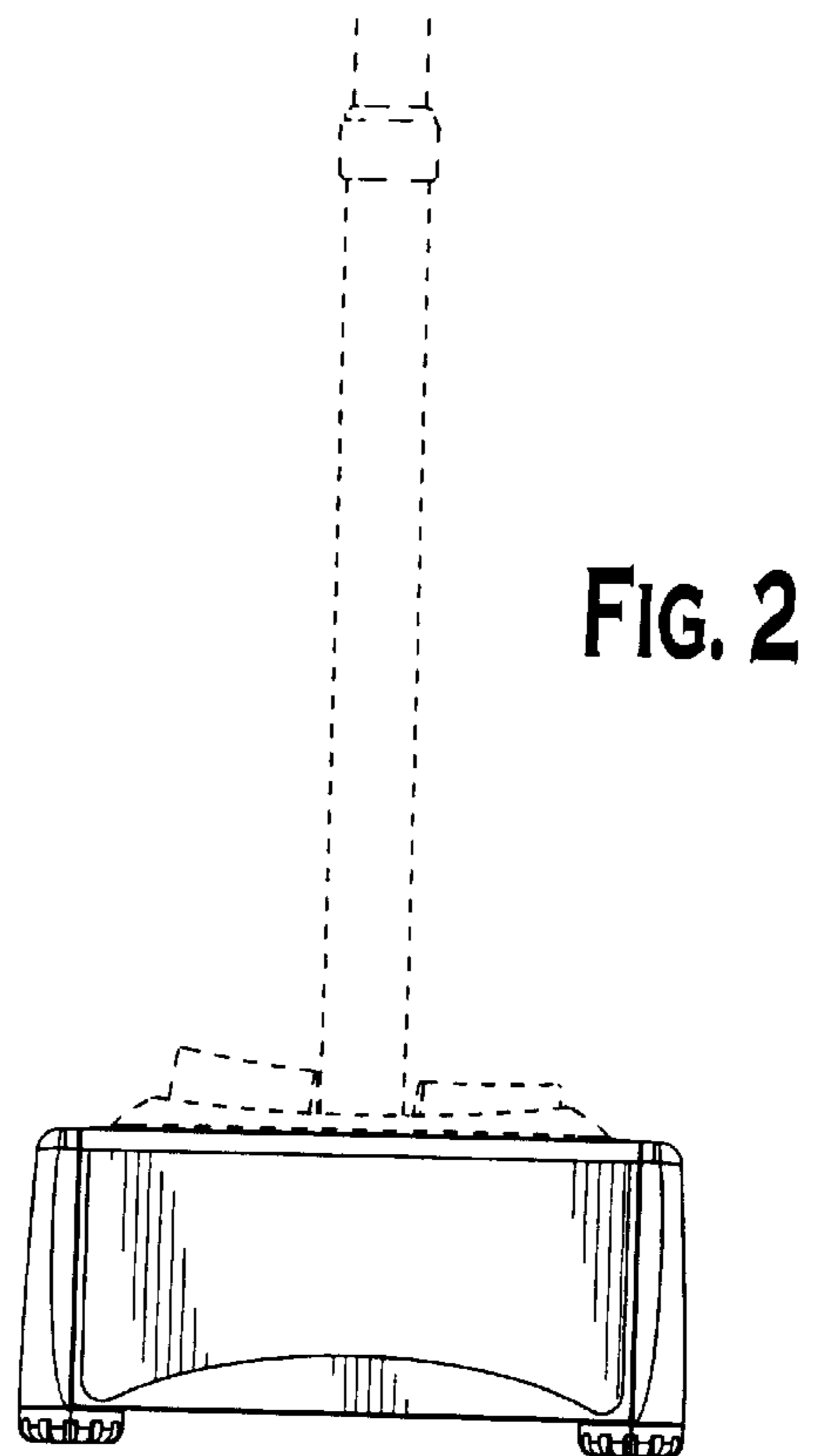
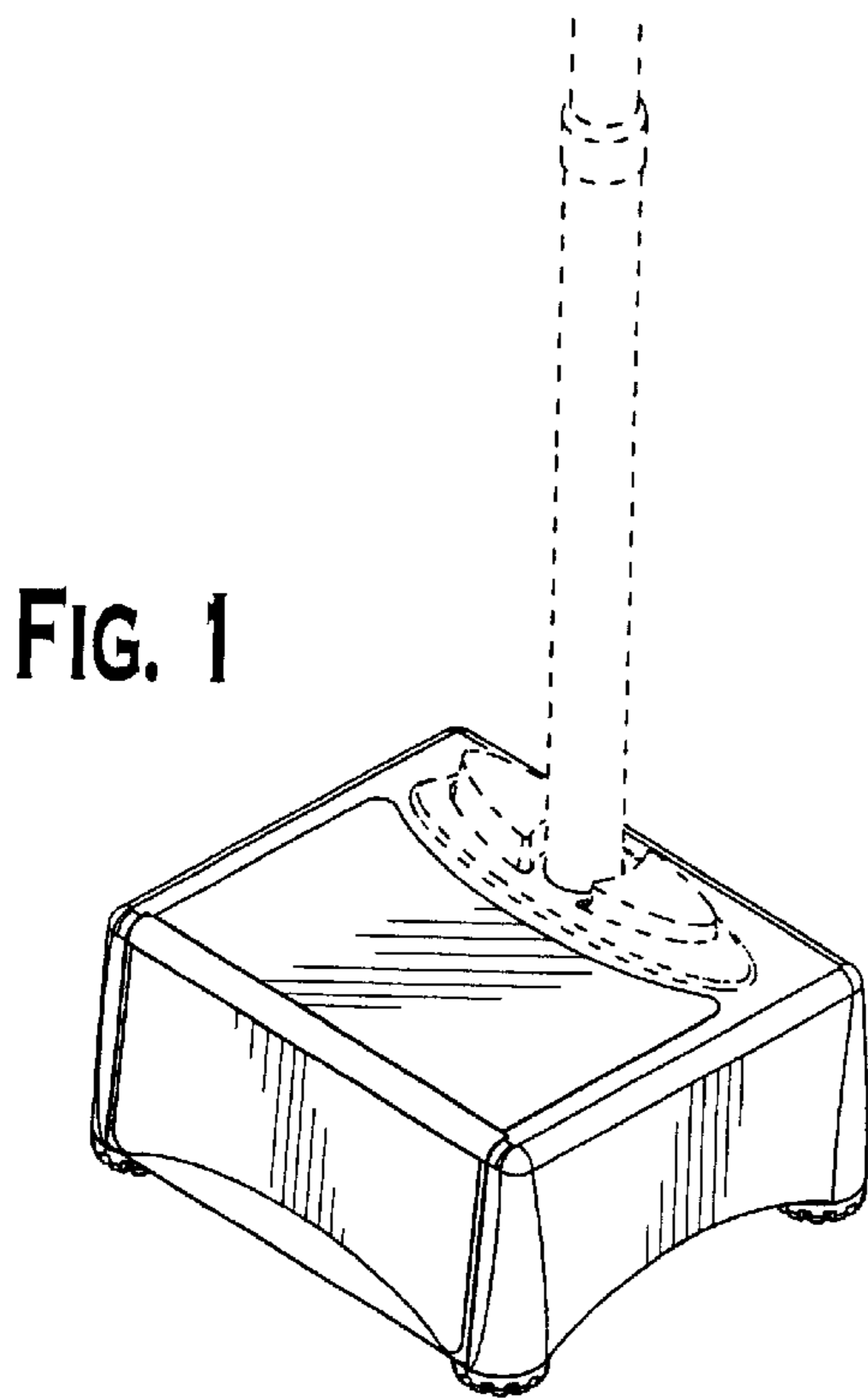
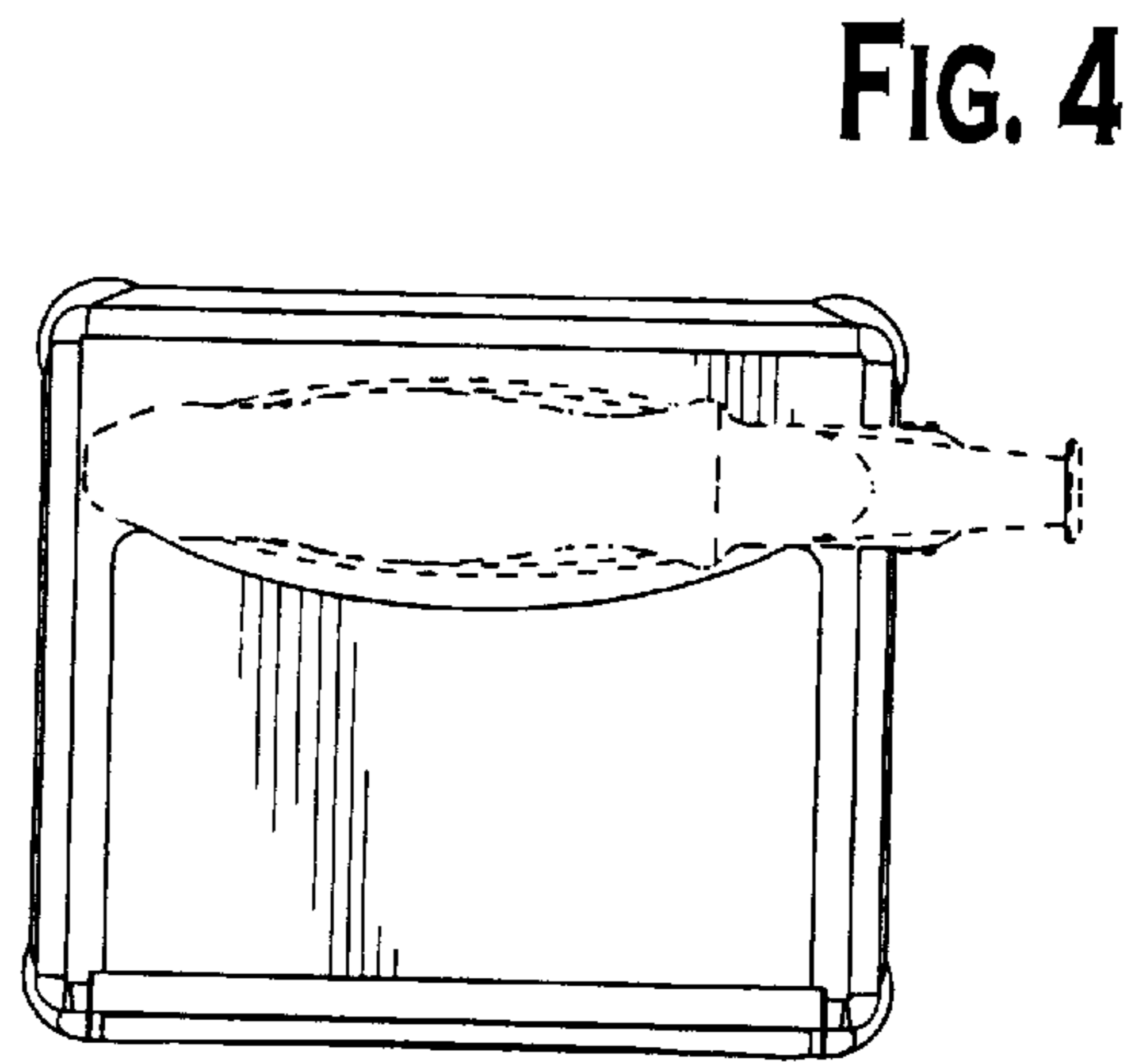
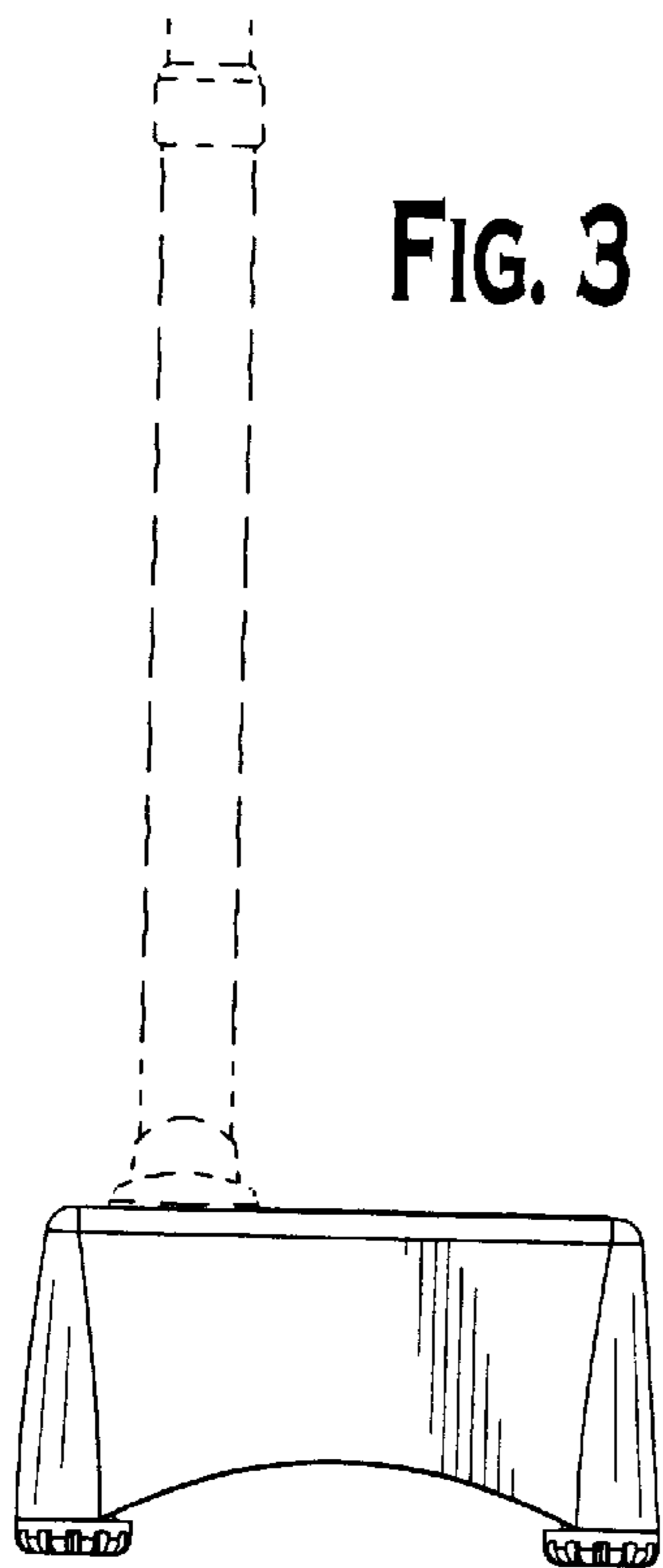


FIG. 5

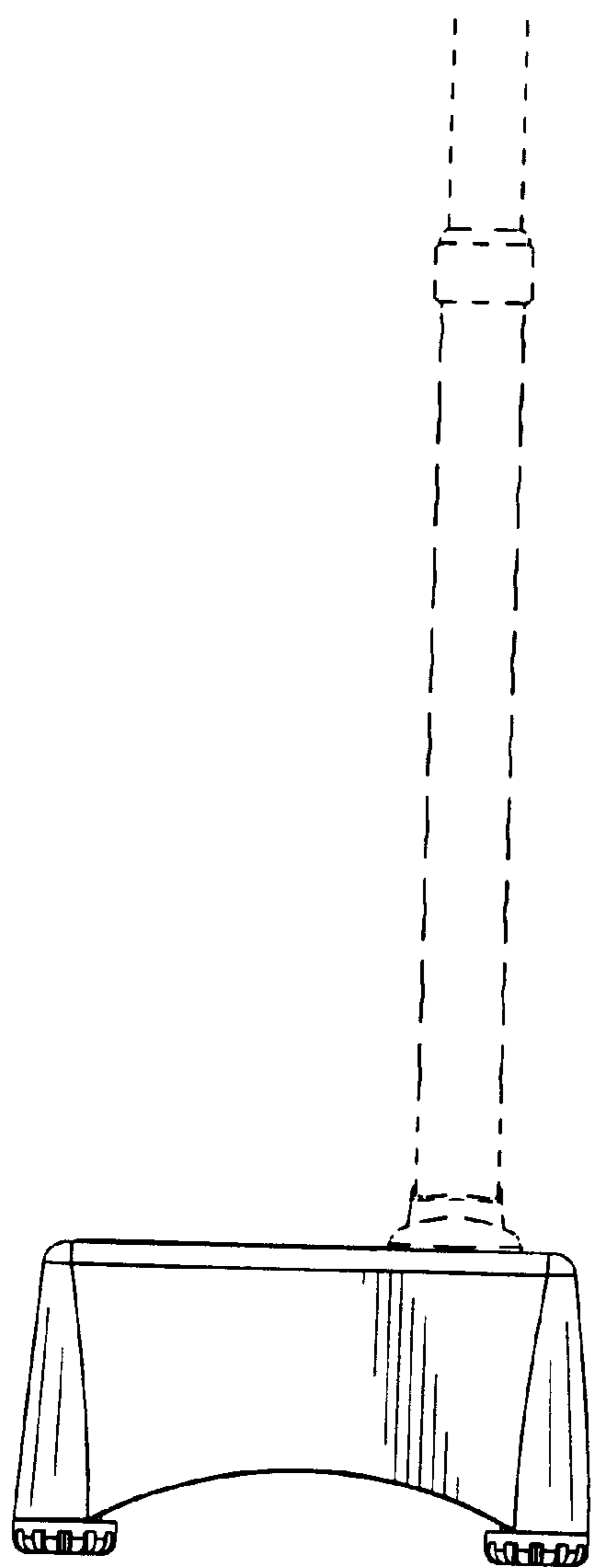


FIG. 6

