



US00D522220S

(12) **United States Design Patent**
McMullin

(10) **Patent No.:** **US D522,220 S**

(45) **Date of Patent:** **** Jun. 6, 2006**

(54) **FOOTWEAR CLEAT WITH BLADE-LIKE TRACTION ELEMENTS**

(75) Inventor: **Faris W. McMullin**, Boise, ID (US)

(73) Assignee: **Softspikes, LLC**, Gaithersburg, MD (US)

(**) Term: **14 Years**

(21) Appl. No.: **29/225,807**

(22) Filed: **Mar. 22, 2005**

(51) **LOC (8) Cl.** **02-99**

(52) **U.S. Cl.** **D2/962**

(58) **Field of Classification Search** D2/906,
D2/946, 962; 36/7.6, 7.7, 67 A, 59 R, 126-129,
36/134

See application file for complete search history.

(56) **References Cited**

U.S. PATENT DOCUMENTS

D372,355 S * 8/1996 Deacon et al. D2/962

D375,192 S * 11/1996 Bathum D2/962
D392,451 S * 3/1998 Collins et al. D2/962
6,041,526 A * 3/2000 Collins 36/127
6,381,878 B1 * 5/2002 Kennedy et al. 36/134

* cited by examiner

Primary Examiner—Dominic Simone

(74) *Attorney, Agent, or Firm*—Edell, Shapiro & Finnan, LLC

(57) **CLAIM**

The ornamental design for a footwear cleat with blade-like traction elements, as shown and described.

DESCRIPTION

FIG. 1 is a bottom perspective view showing my new design;

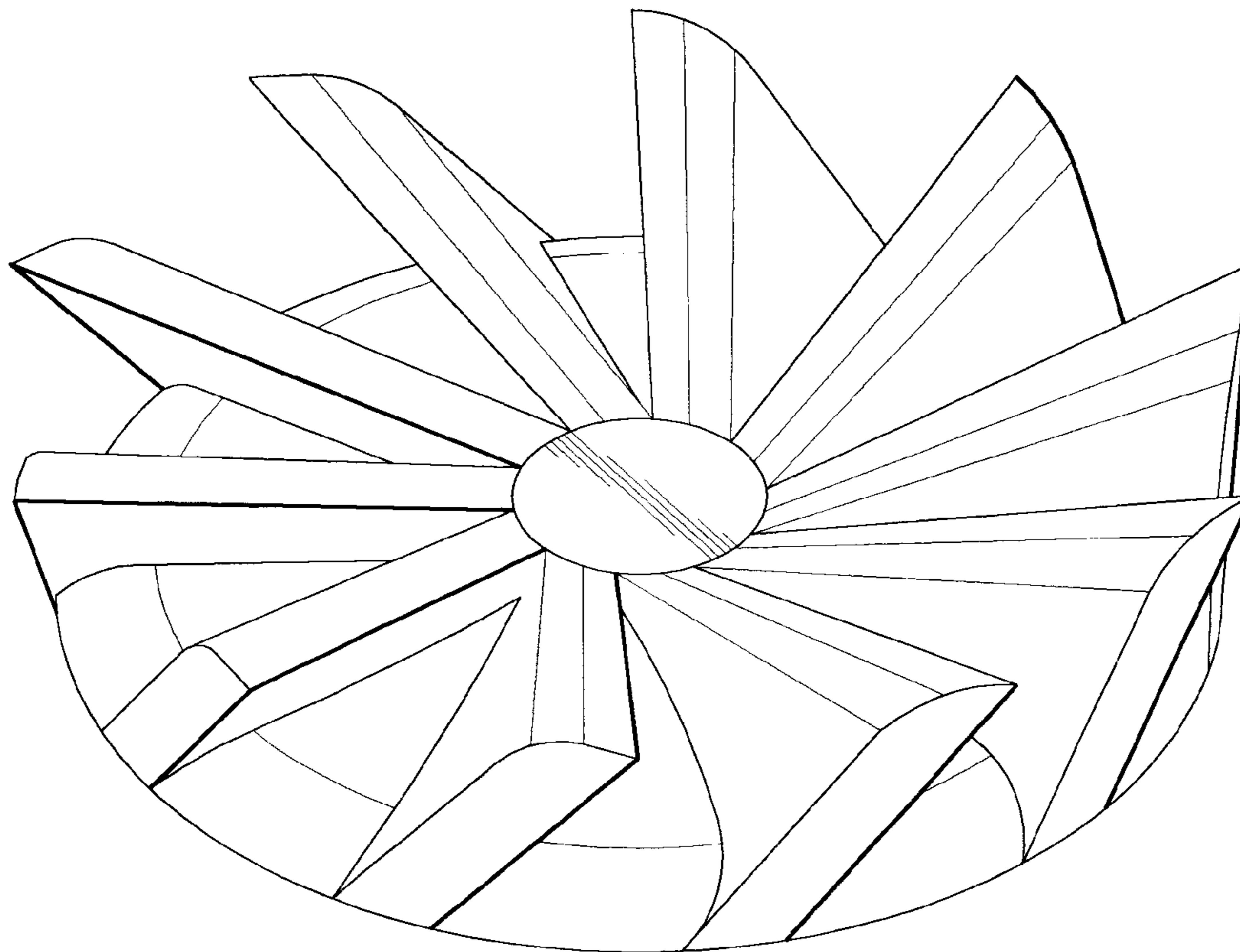
FIG. 2 is a bottom view in plan thereof;

FIG. 3 is a view in plan thereof and,

FIG. 4 is a side view in elevation thereof.

The broken lines shown throughout are for contextual illustrative purposes and form no part of the claimed design.

1 Claim, 2 Drawing Sheets



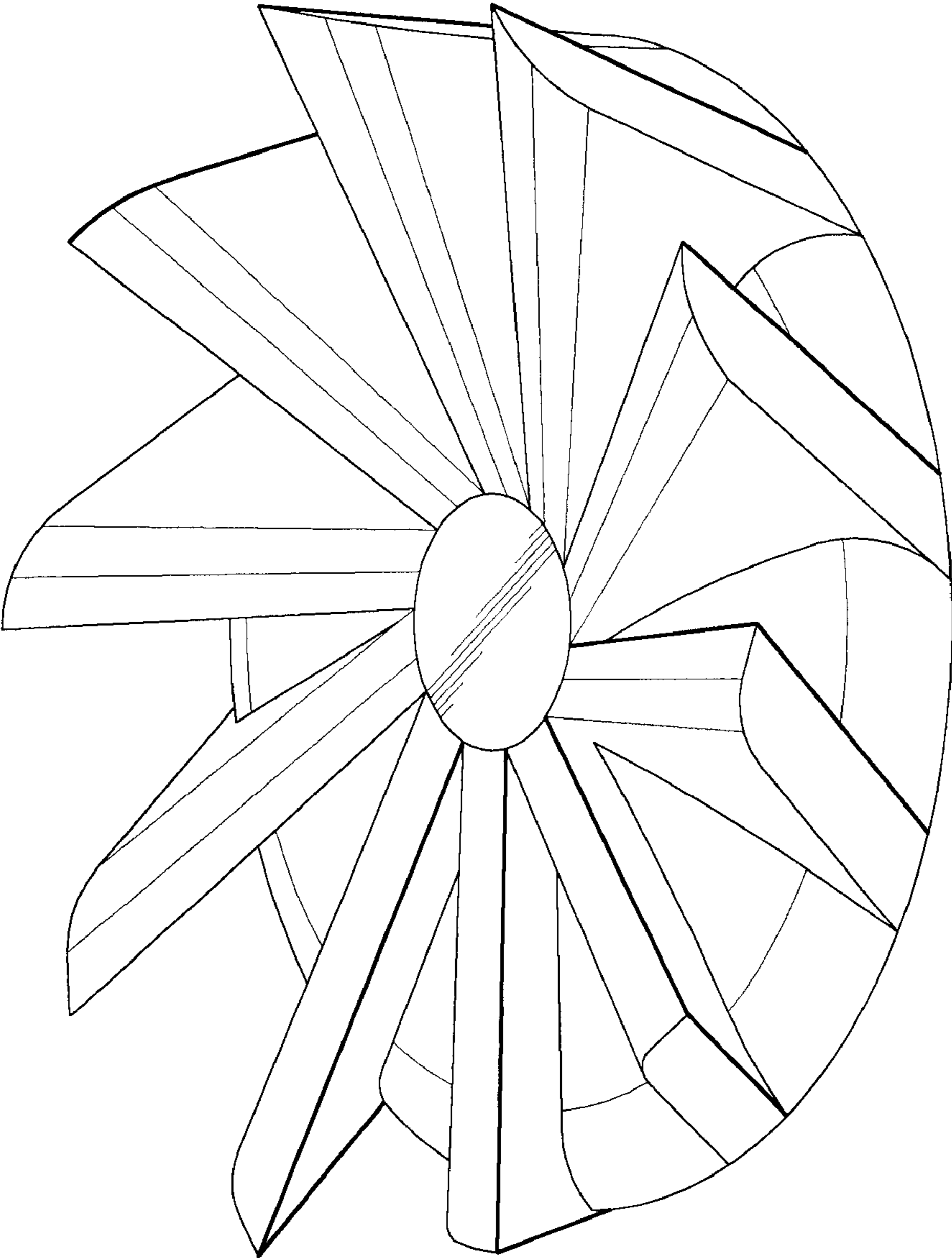


FIG.1

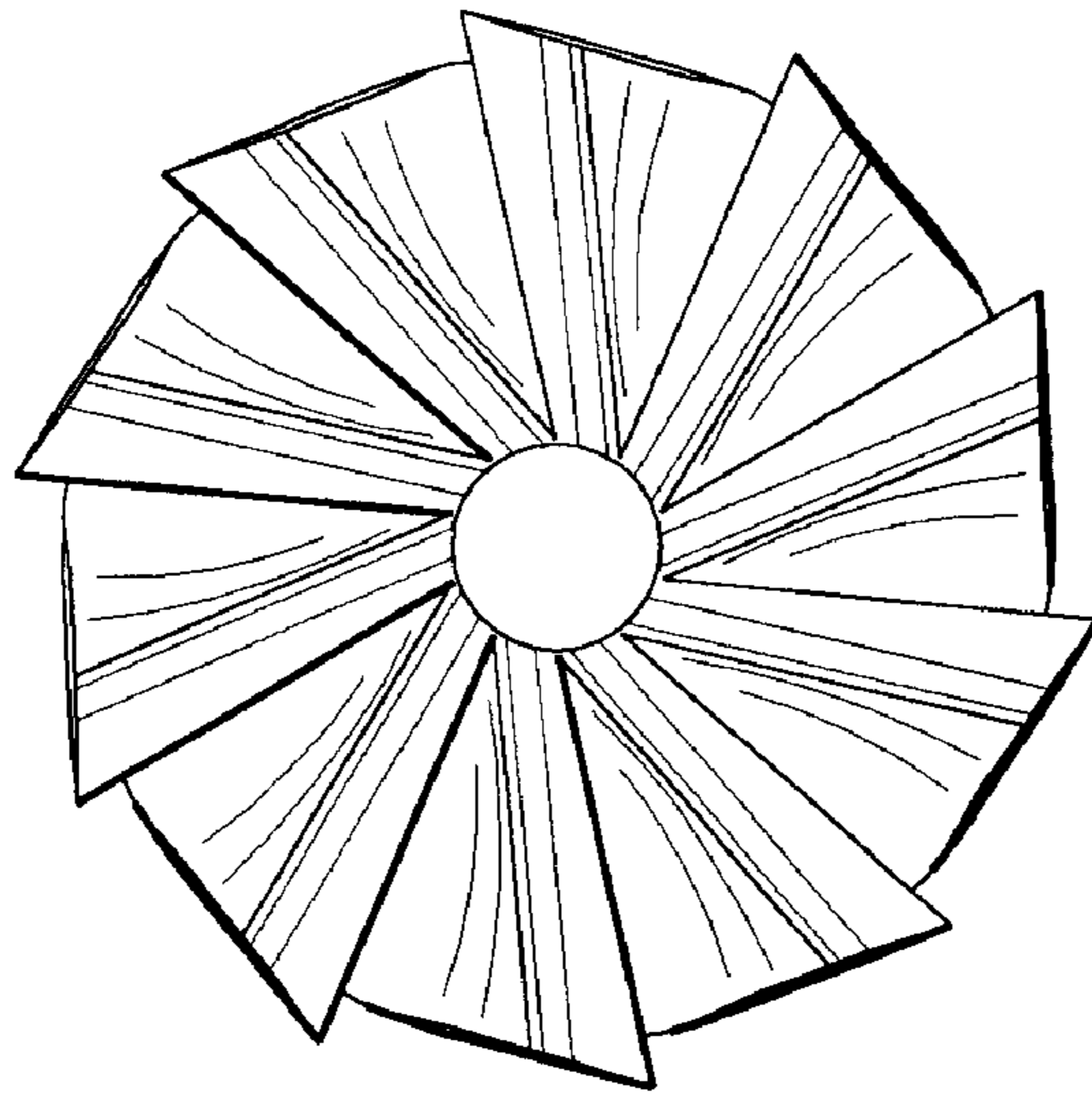


FIG. 2

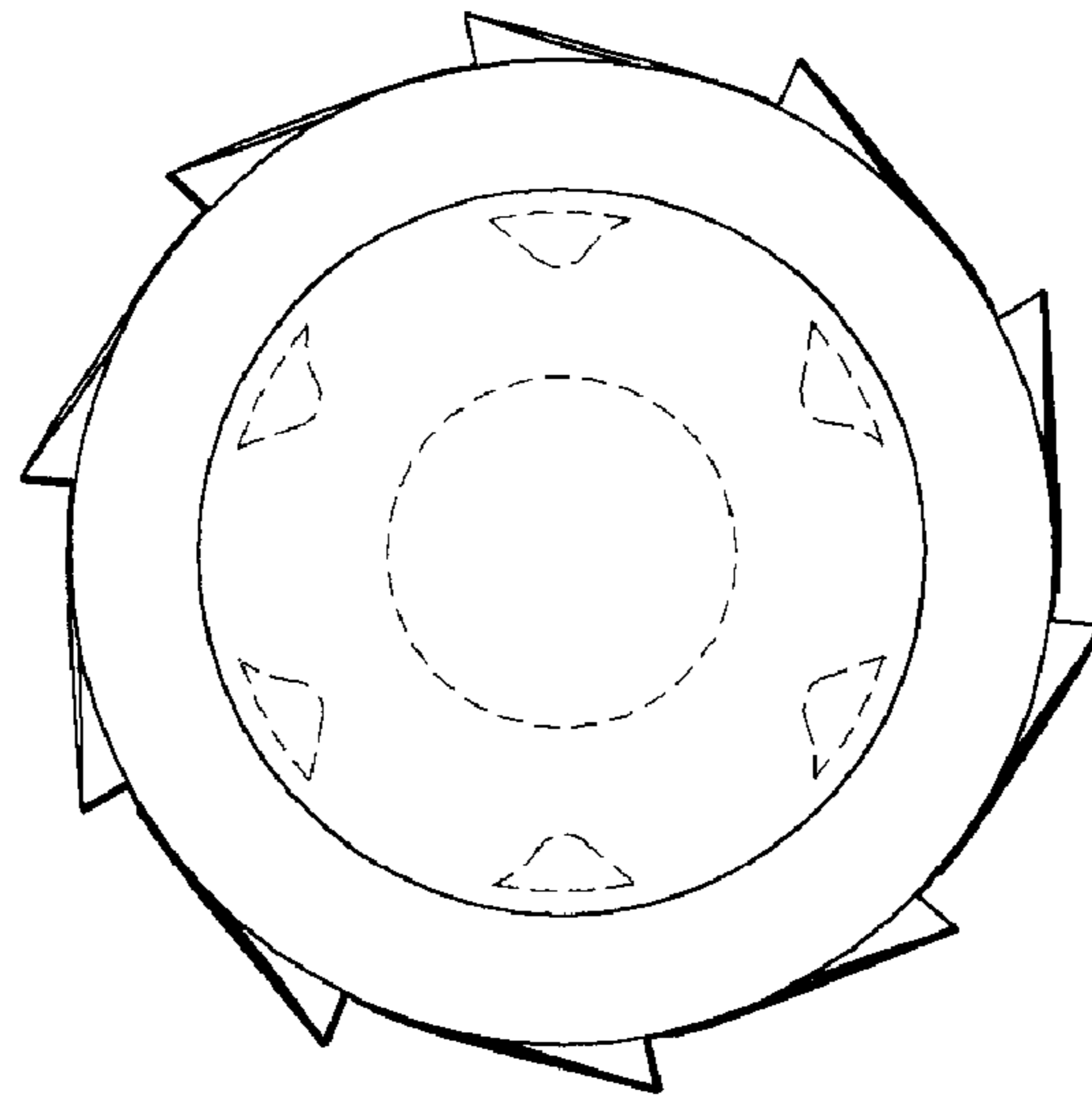


FIG. 3

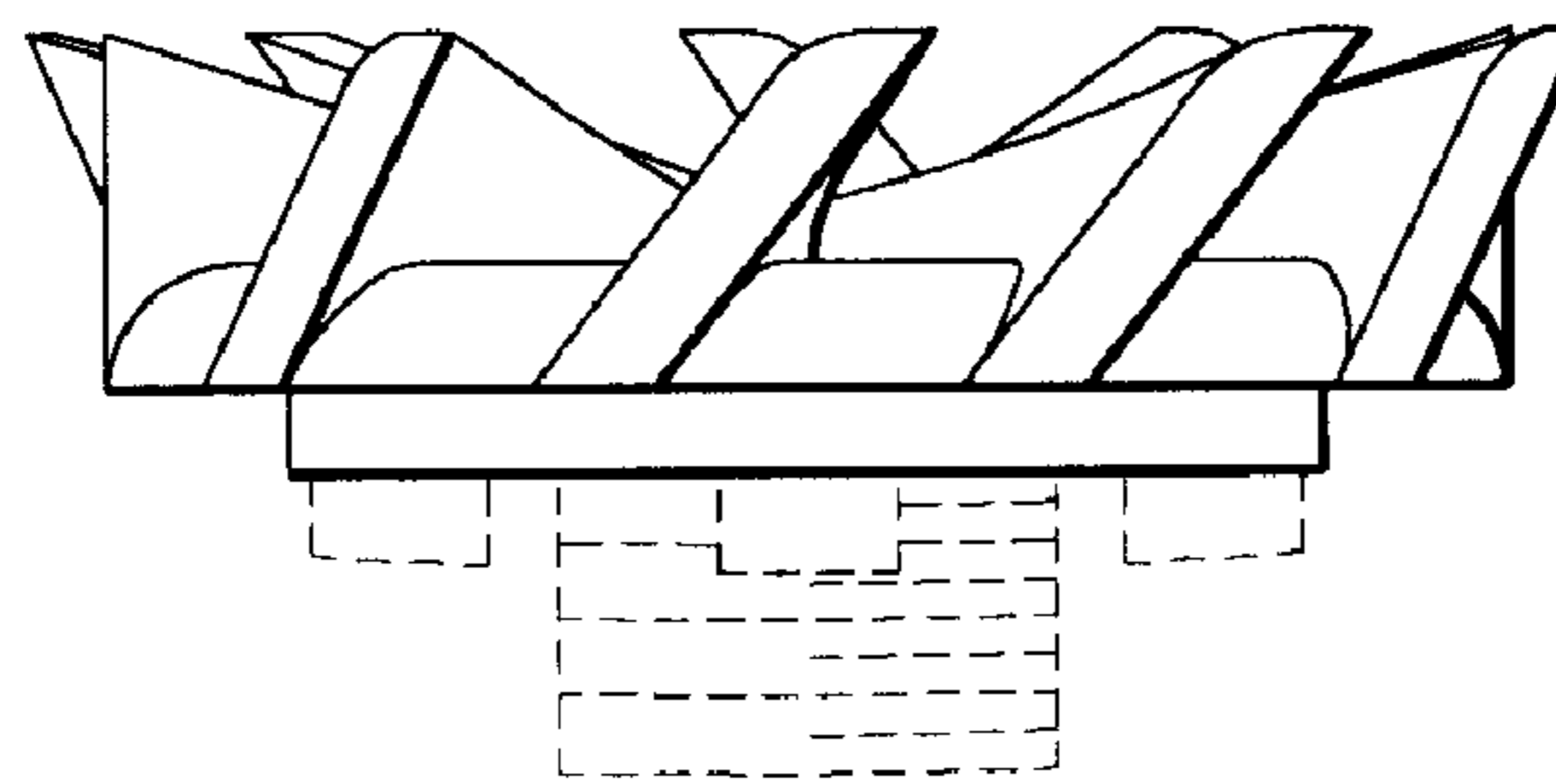


FIG. 4