



US00D522209S

(12) **United States Design Patent**
Chipps

(10) **Patent No.:** **US D522,209 S**

(45) **Date of Patent:** **** May 30, 2006**

(54) **MECHANIC'S CREEPER SEAT**

(76) **Inventor:** **Robert W. Chipps**, 247 S. Jefferson St., Walnut Grove, MO (US) 65770

(**) **Term:** **14 Years**

(21) **Appl. No.:** **29/227,184**

(22) **Filed:** **Apr. 7, 2005**

(51) **LOC (8) Cl.** **12-02**

(52) **U.S. Cl.** **D34/23**

(58) **Field of Classification Search** D34/12-27;
280/30, 32.5, 32.6, 43.24, 79.2, 79.7, 79.11,
280/639, 640, 651; 248/129; 188/5

See application file for complete search history.

(56) **References Cited**

U.S. PATENT DOCUMENTS

D384,466	S	*	9/1997	Taylor	D34/23
RE35,732	E	*	2/1998	Shockley	280/32.6
D396,920	S	*	8/1998	Whiteside et al.	D34/23
D401,029	S	*	11/1998	Taylor	D34/23
D403,822	S	*	1/1999	Whiteside et al.	D34/23
D406,433	S	*	3/1999	Taylor et al.	D34/23
D406,683	S	*	3/1999	Taylor et al.	D34/23
D408,110	S	*	4/1999	Sorensen	D34/23
5,895,062	A	*	4/1999	Miles et al.	280/32.6
6,076,838	A	*	6/2000	Peterson et al.	280/32.6
D431,705	S	*	10/2000	Yuan	D34/23

D458,432	S	*	6/2002	Whiteside et al.	D34/23
D460,237	S	*	7/2002	Hart	D34/23
6,705,622	B1	*	3/2004	Whiteside	280/32.6
2005/0023780	A1	*	2/2005	Liu	280/32.6

* cited by examiner

Primary Examiner—Freda Nunn

Assistant Examiner—Kevin K. Rudzinski

(74) *Attorney, Agent, or Firm*—Lathrop & Gage L.C.

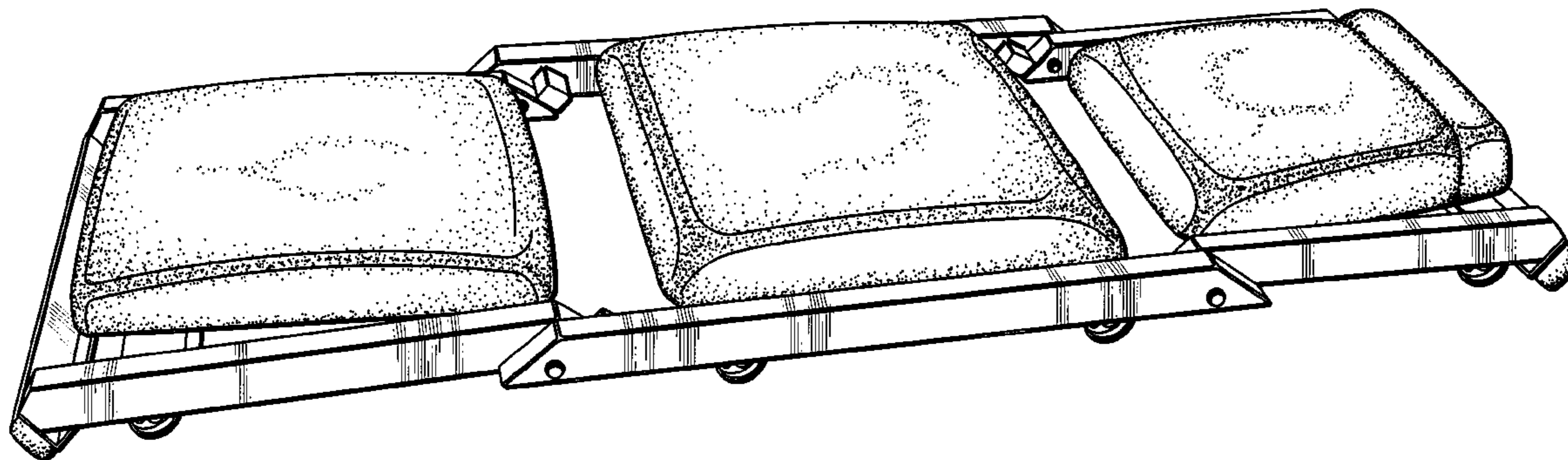
(57) **CLAIM**

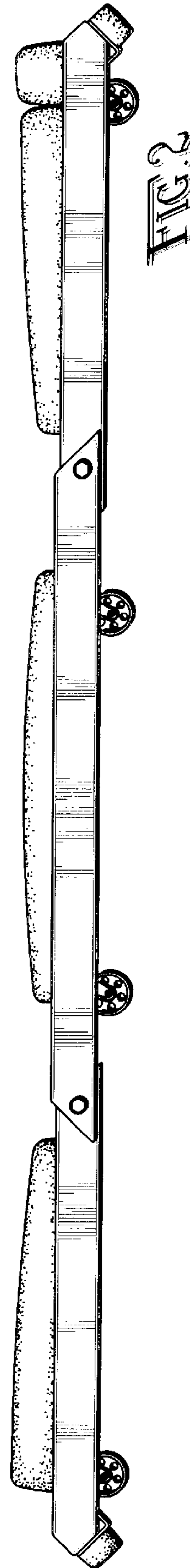
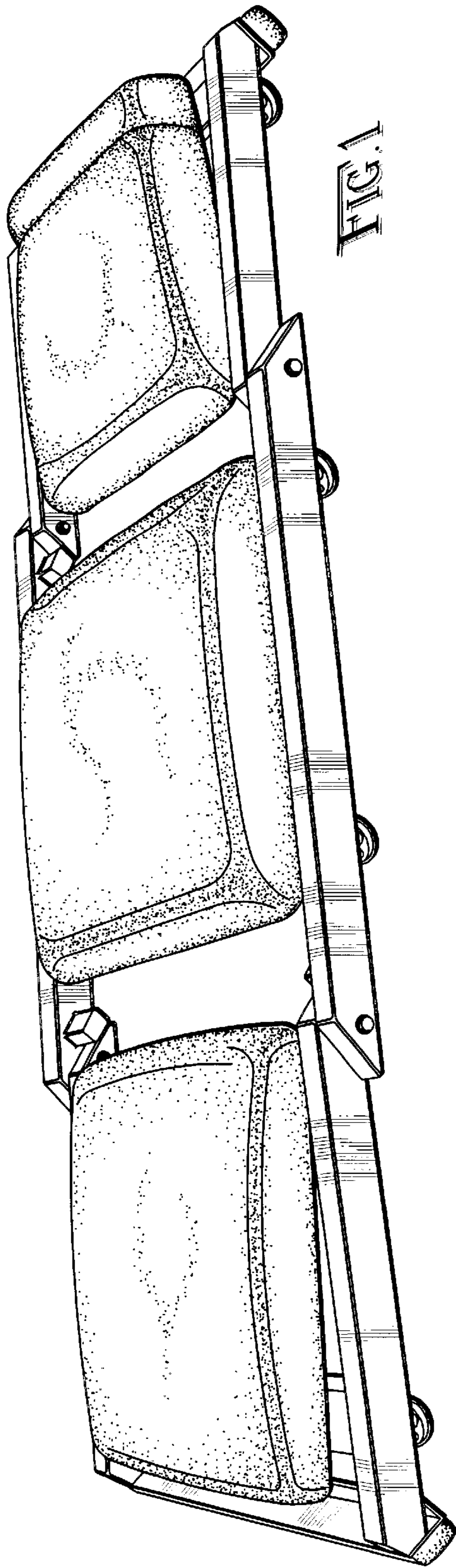
An ornamental design for a mechanic's creeper seat, as shown and described.

DESCRIPTION

FIG. 1 is a side perspective view of a mechanic's creeper seat, showing my new design;
 FIG. 2 is a side view thereof;
 FIG. 3 is a top view thereof;
 FIG. 4 is a forward end view thereof;
 FIG. 5 is a rearward end view thereof;
 FIG. 6 is a bottom view thereof;
 FIG. 7 is a side perspective view of the mechanic's creeper seat of FIG. 1 shown with elements in an alternate position.
 FIG. 8 is a top view thereof;
 FIG. 9 a side view thereof;
 FIG. 10 is an end view thereof; and,
 FIG. 11 is a bottom view thereof.

1 Claim, 6 Drawing Sheets





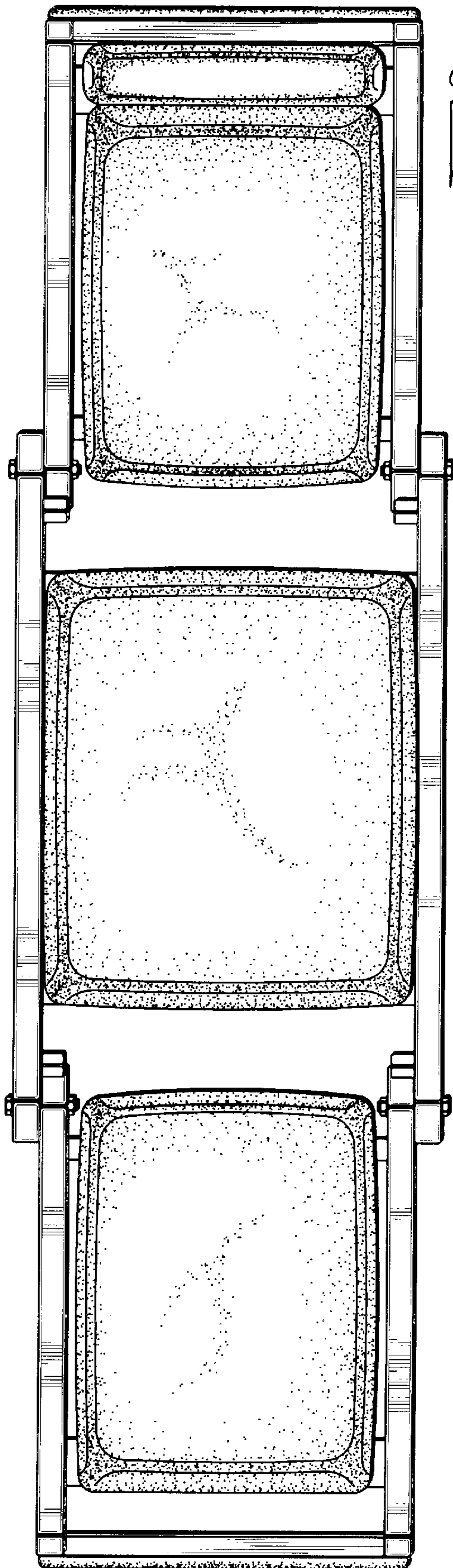


FIG. 3



FIG. 5



FIG. 4

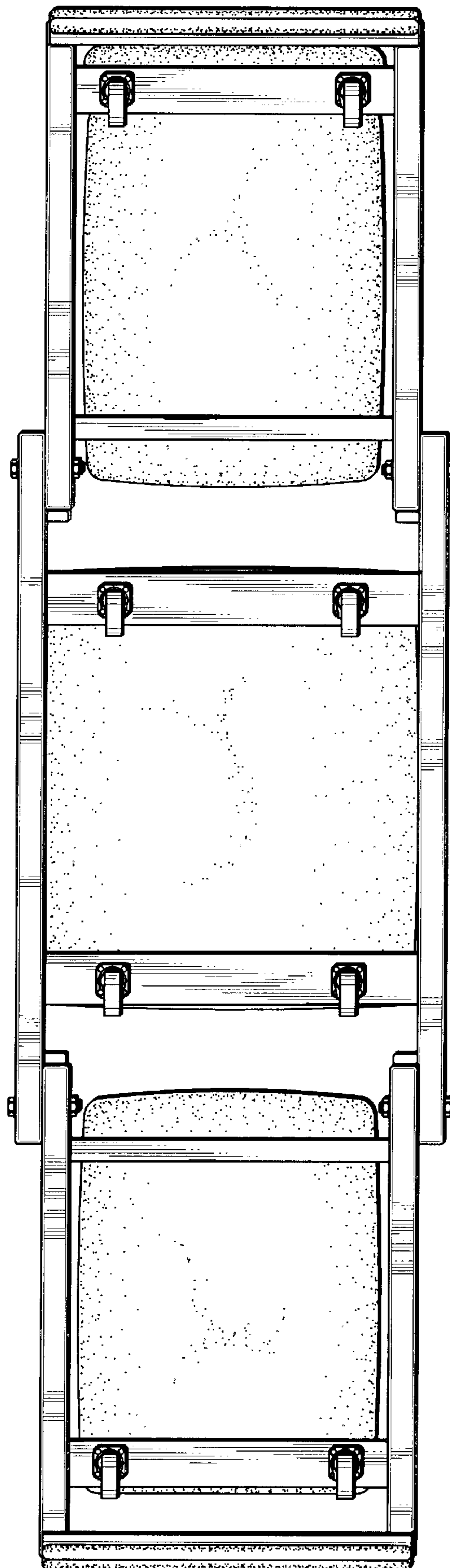


FIG. 6

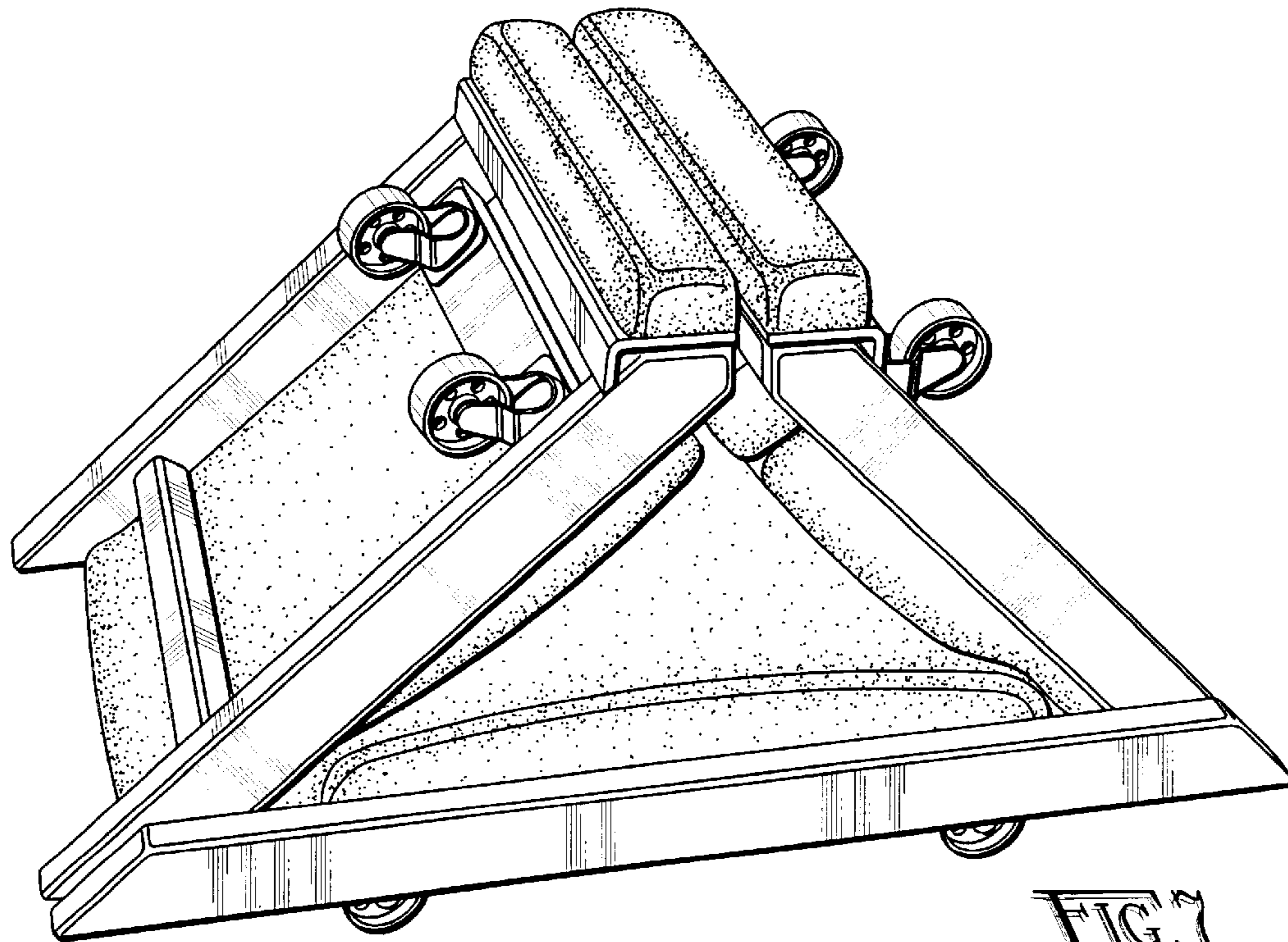


FIG. 7

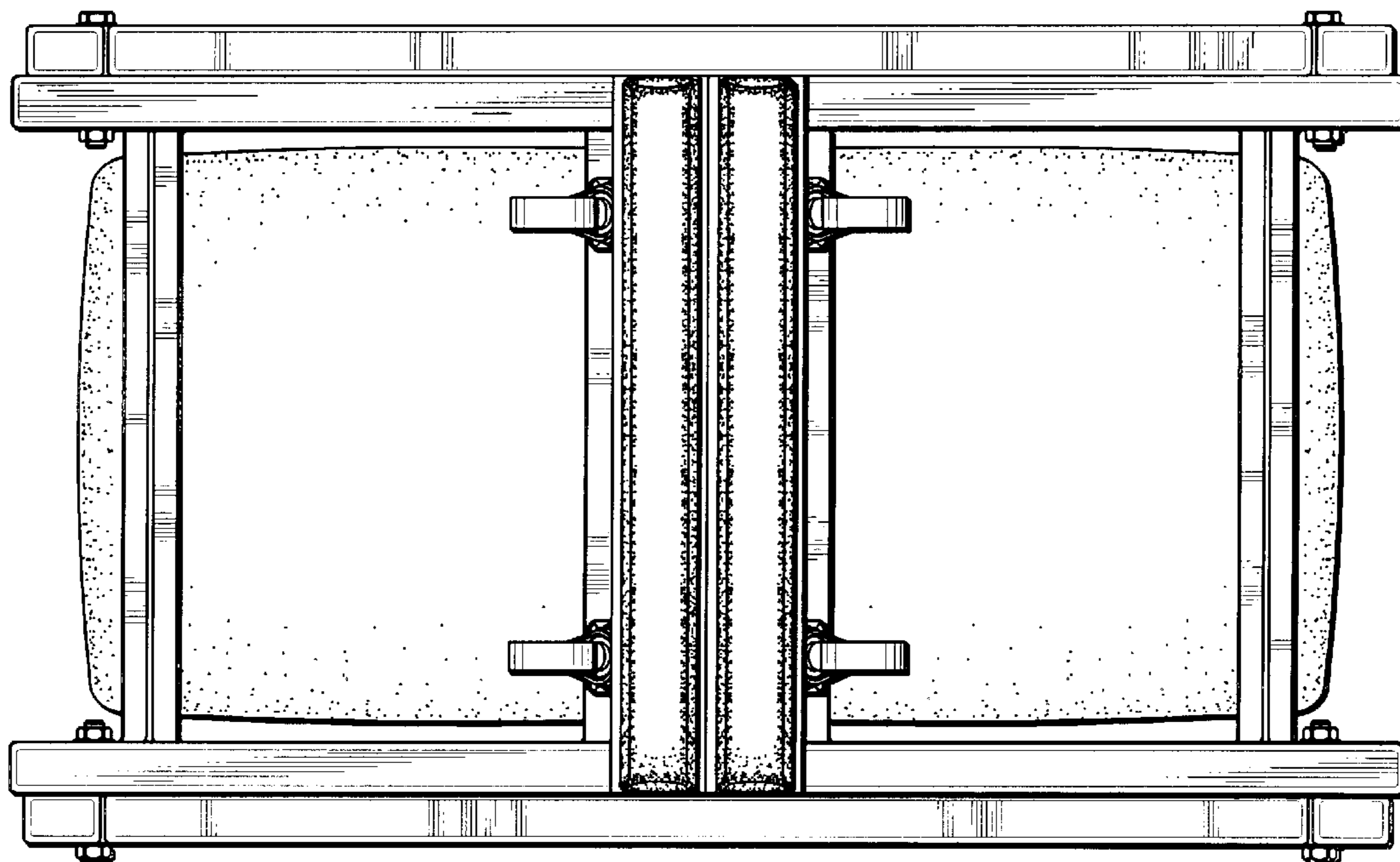


FIG. 8

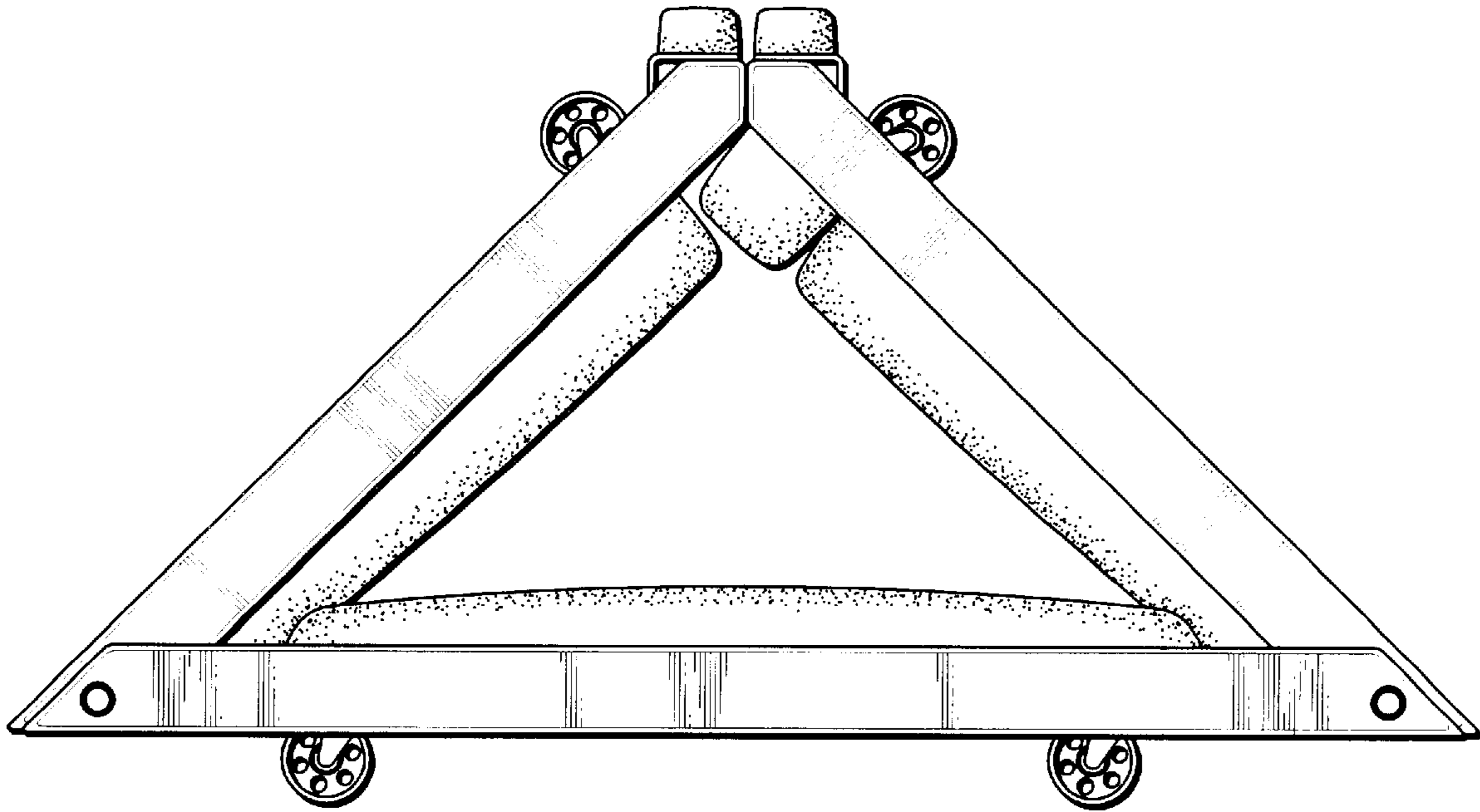


FIG. 9

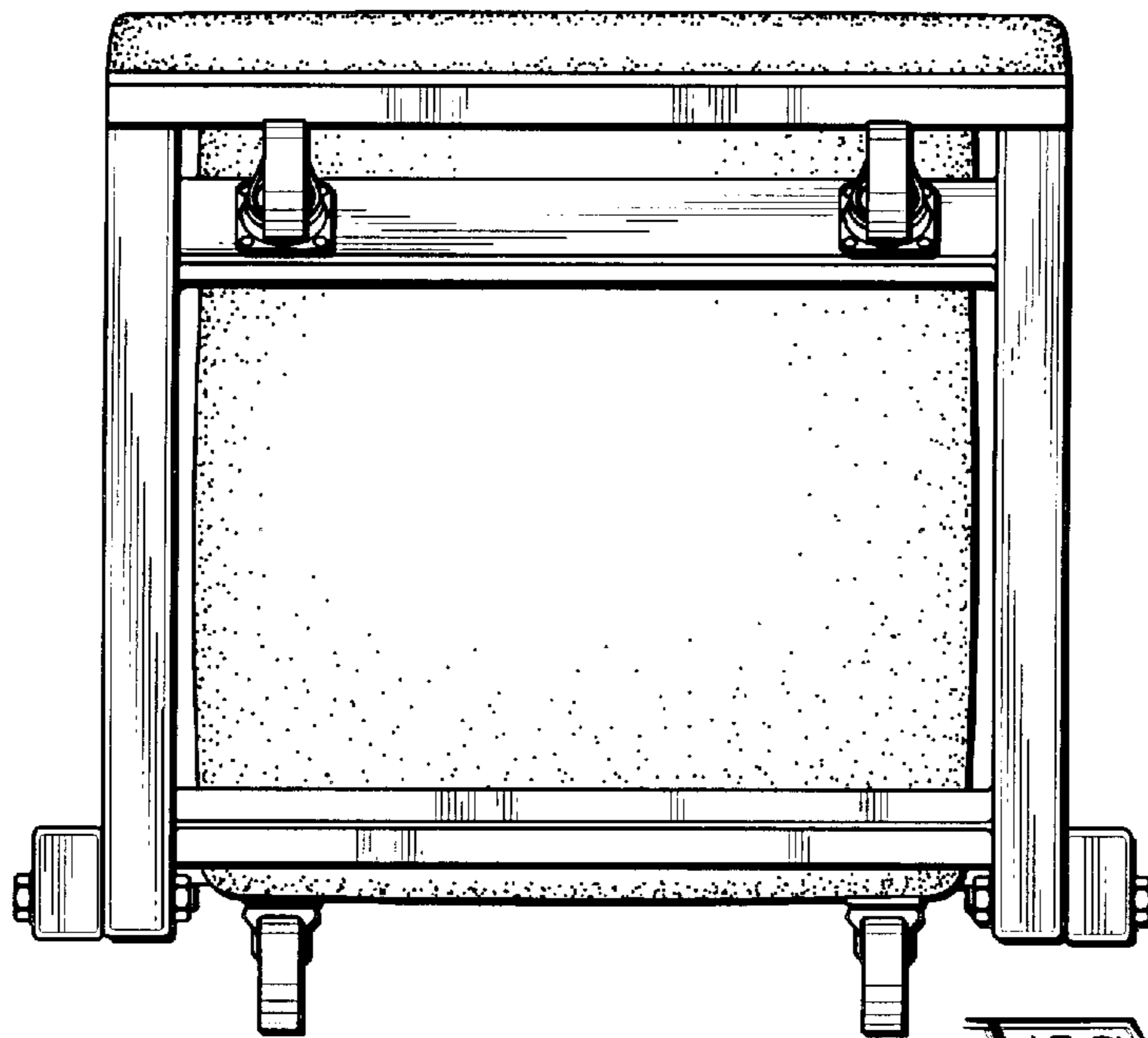


FIG. 10

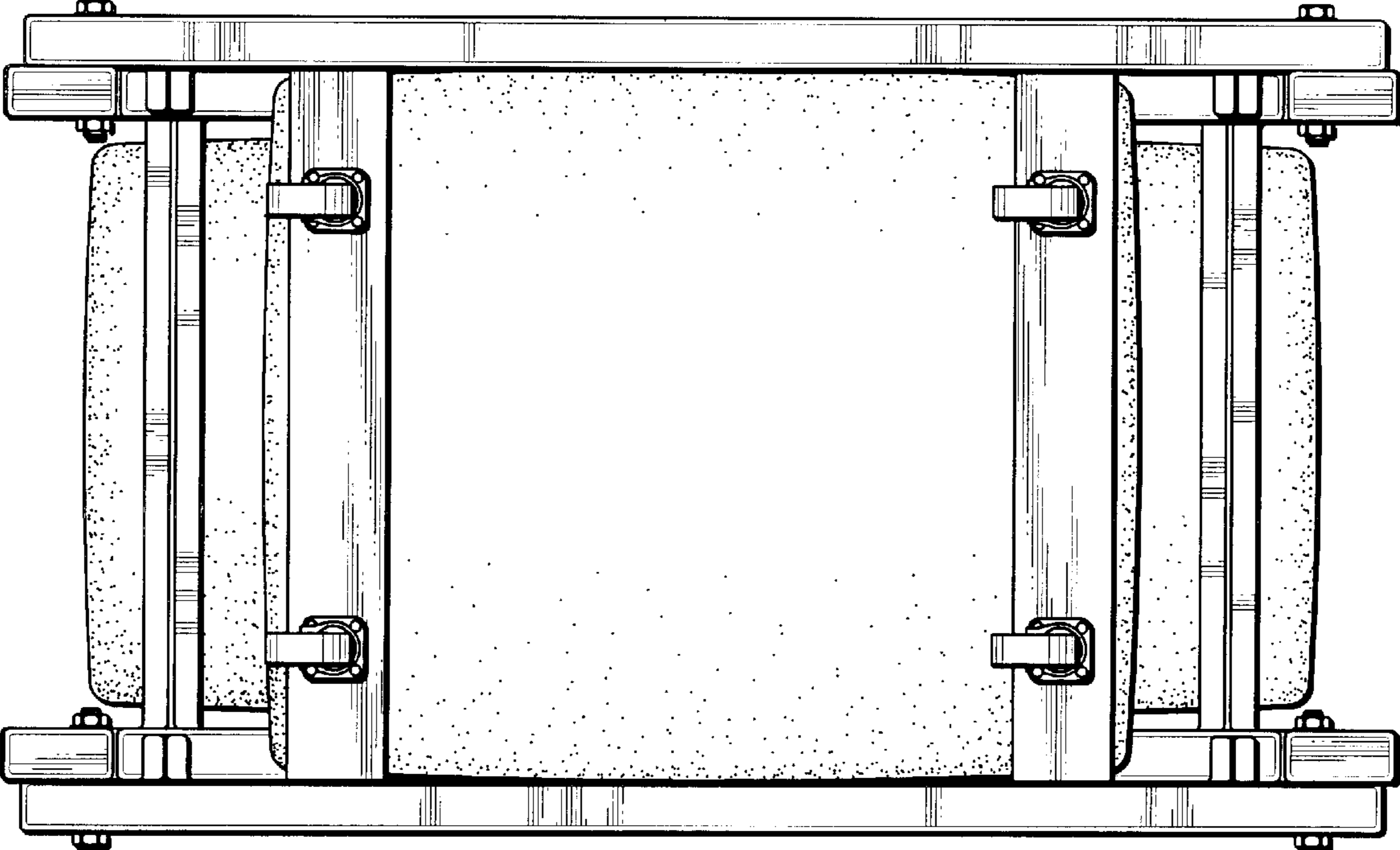


FIG. 11