



US00D522208S

(12) **United States Design Patent**  
**Whiteside et al.**

(10) **Patent No.:** **US D522,208 S**

(45) **Date of Patent:** **\*\* May 30, 2006**

(54) **CREEPER**

(75) Inventors: **Kirt E. Whiteside**, Marion, OH (US);  
**Shane Obbitts**, Elyria, OH (US)

(73) Assignee: **Whiteside Mfg. Co.**, Delaware, OH  
(US)

(\*\*) Term: **14 Years**

(21) Appl. No.: **29/221,451**

(22) Filed: **Jan. 13, 2005**

(51) **LOC (8) Cl.** ..... **12-02**

(52) **U.S. Cl.** ..... **D34/23**

(58) **Field of Classification Search** ..... D34/12-27;  
280/30, 32.5, 32.6, 43.24, 79.2, 79.7, 79.11,  
280/639, 640, 651; 248/129; 188/5

See application file for complete search history.

(56) **References Cited**

U.S. PATENT DOCUMENTS

|             |           |                  |       |          |
|-------------|-----------|------------------|-------|----------|
| D230,971 S  | 3/1974    | Shanklin         | ..... | D14/3 M  |
| D325,799 S  | 4/1992    | Chen             | ..... | D34/23   |
| 5,174,592 A | 12/1992   | Pool             | ..... | 280/32.6 |
| 5,330,209 A | 7/1994    | Pool             | ..... | 280/32.6 |
| D351,707 S  | 10/1994   | Pill             | ..... | D34/23   |
| D384,466 S  | * 9/1997  | Taylor           | ..... | D34/23   |
| D396,920 S  | 8/1998    | Whiteside et al. | ..... | D34/23   |
| D398,433 S  | 9/1998    | Whiteside et al. | ..... | D34/23   |
| D401,029 S  | * 11/1998 | Taylor           | ..... | D34/23   |
| D401,714 S  | 11/1998   | Whiteside et al. | ..... | D34/23   |
| D401,715 S  | 11/1998   | Whiteside et al. | ..... | D34/23   |
| D403,822 S  | 1/1999    | Whiteside et al. | ..... | D34/23   |
| D406,433 S  | * 3/1999  | Taylor et al.    | ..... | D34/23   |
| D406,683 S  | 3/1999    | Taylor et al.    | ..... | D34/23   |
| 5,895,062 A | * 4/1999  | Miles et al.     | ..... | 280/32.6 |
| D409,344 S  | 5/1999    | Whiteside et al. | ..... | D34/23   |
| 6,076,838 A | * 6/2000  | Peterson et al.  | ..... | 280/32.6 |
| D436,708 S  | 1/2001    | Whiteside        | ..... | D34/27   |

|              |          |                  |       |          |
|--------------|----------|------------------|-------|----------|
| D458,432 S   | 6/2002   | Whiteside et al. | ..... | D34/23   |
| D460,237 S   | * 7/2002 | Hart             | ..... | D34/23   |
| 6,705,622 B1 | 3/2004   | Whiteside        | ..... | 280/32.6 |

OTHER PUBLICATIONS

Whiteside Catalog 95 advertisement, cover and 4 pages (1995).

P&B Mfg. Co. "Blue Max" advertisement, 1 page (1990).

Lisle "Creepers" advertisement, pp. 44 and 45 (undated).

E-Z Red "E-Z Rider" advertisement, 1 page (undated).

Wilmar Corporation "PT Performance Tool" product catalog, 2 pages (1996).

Petersen Automotive—Flambeau advertisement, 2 pages (undated).

United Auto Systems (Mac Tools) "Creepers" advertisement, 1 page (undated).

\* cited by examiner

*Primary Examiner*—Alan P. Douglas

*Assistant Examiner*—Kevin K. Rudzinski

(74) *Attorney, Agent, or Firm*—Renner, Kenner, Greive, Bobak, Taylor & Weber

(57) **CLAIM**

The ornamental design for a creeper, as shown and described.

**DESCRIPTION**

FIG. 1 is a top, right side, front perspective view of a creeper showing our new design;

FIG. 2 is a top plan view thereof;

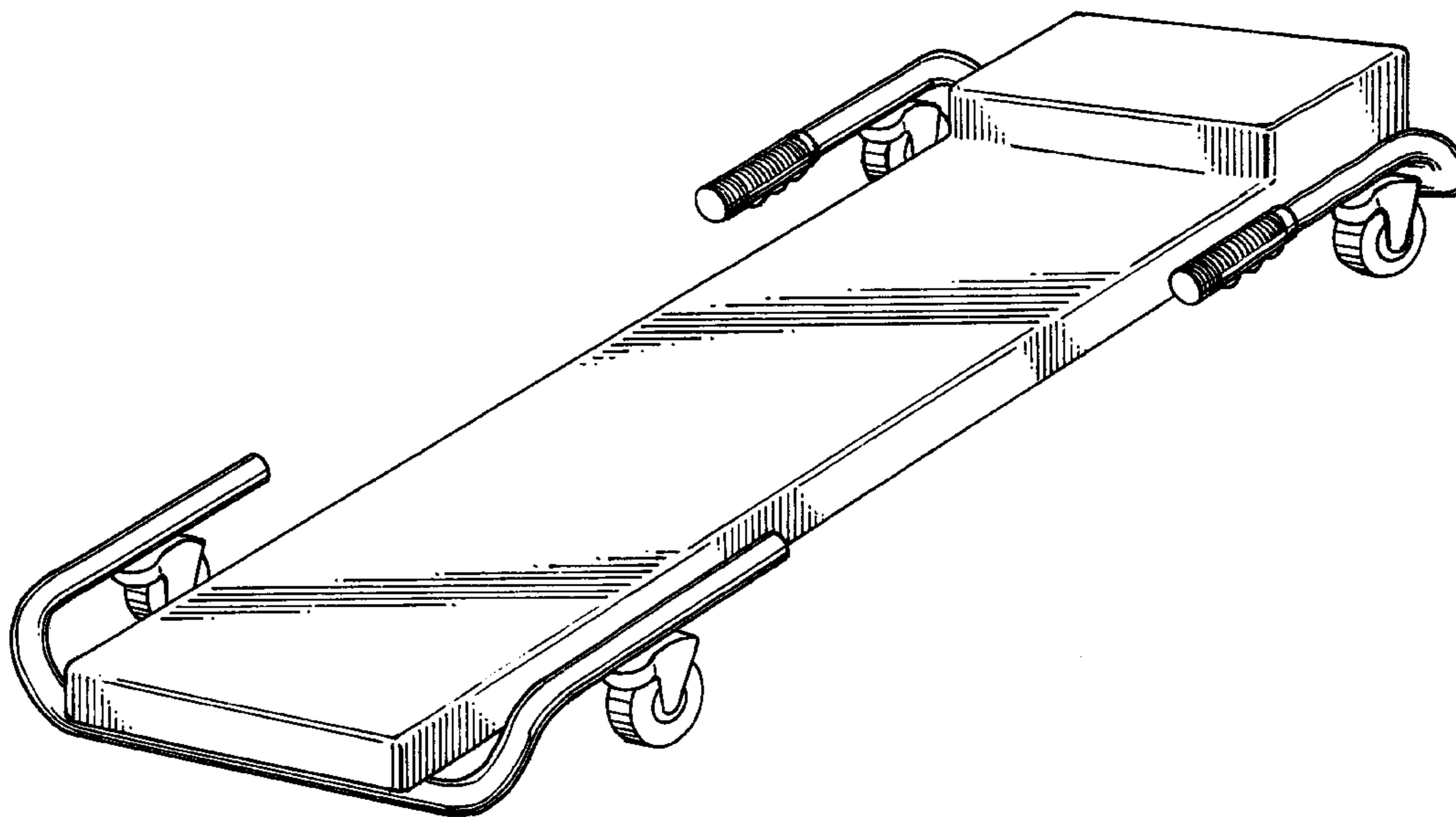
FIG. 3 is a bottom plan view thereof;

FIG. 4 is a left side elevational view thereof, the right side elevational view being a mirror image of FIG. 4;

FIG. 5 is a front elevational view thereof; and,

FIG. 6 is a rear elevational view thereof.

**1 Claim, 4 Drawing Sheets**



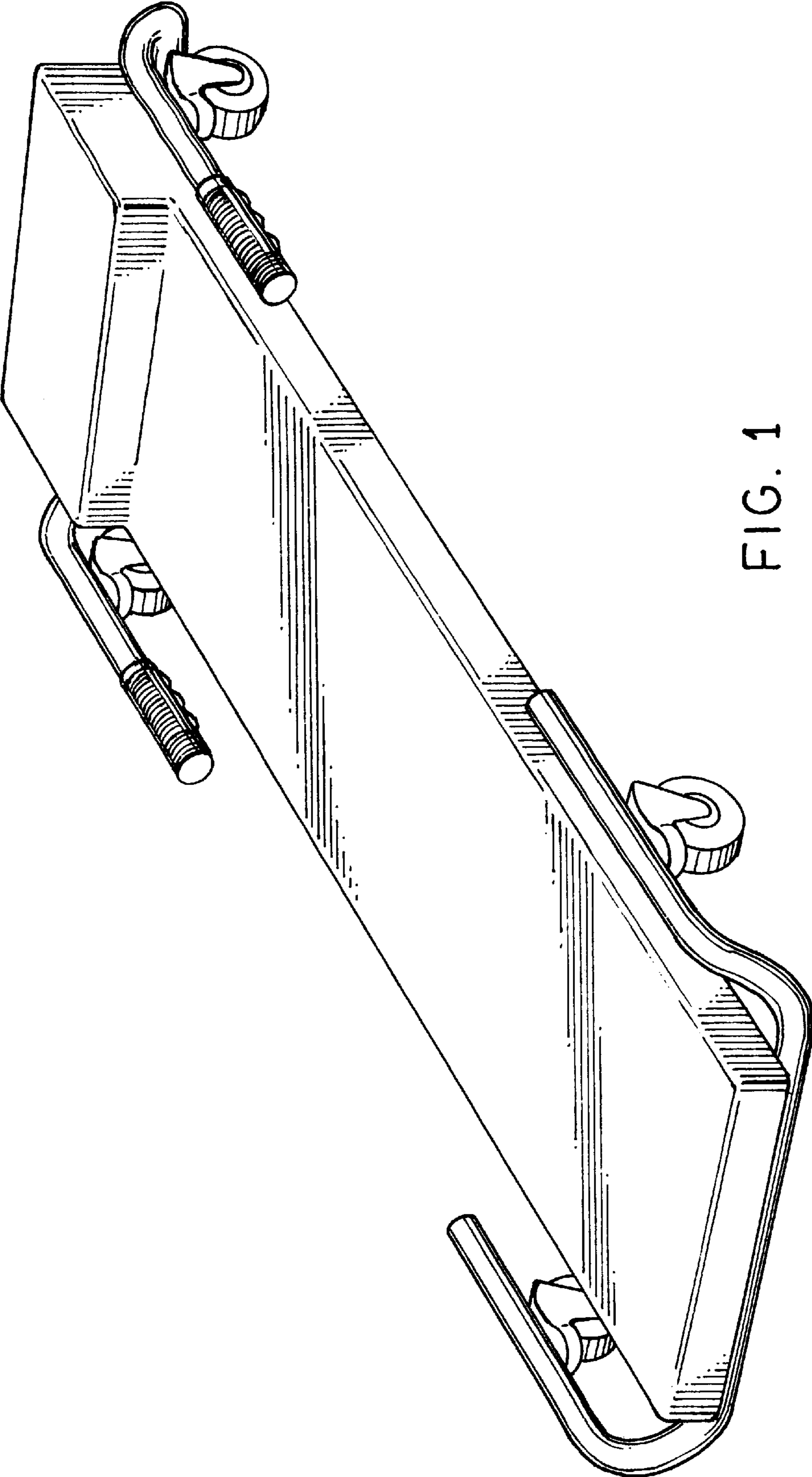


FIG. 1

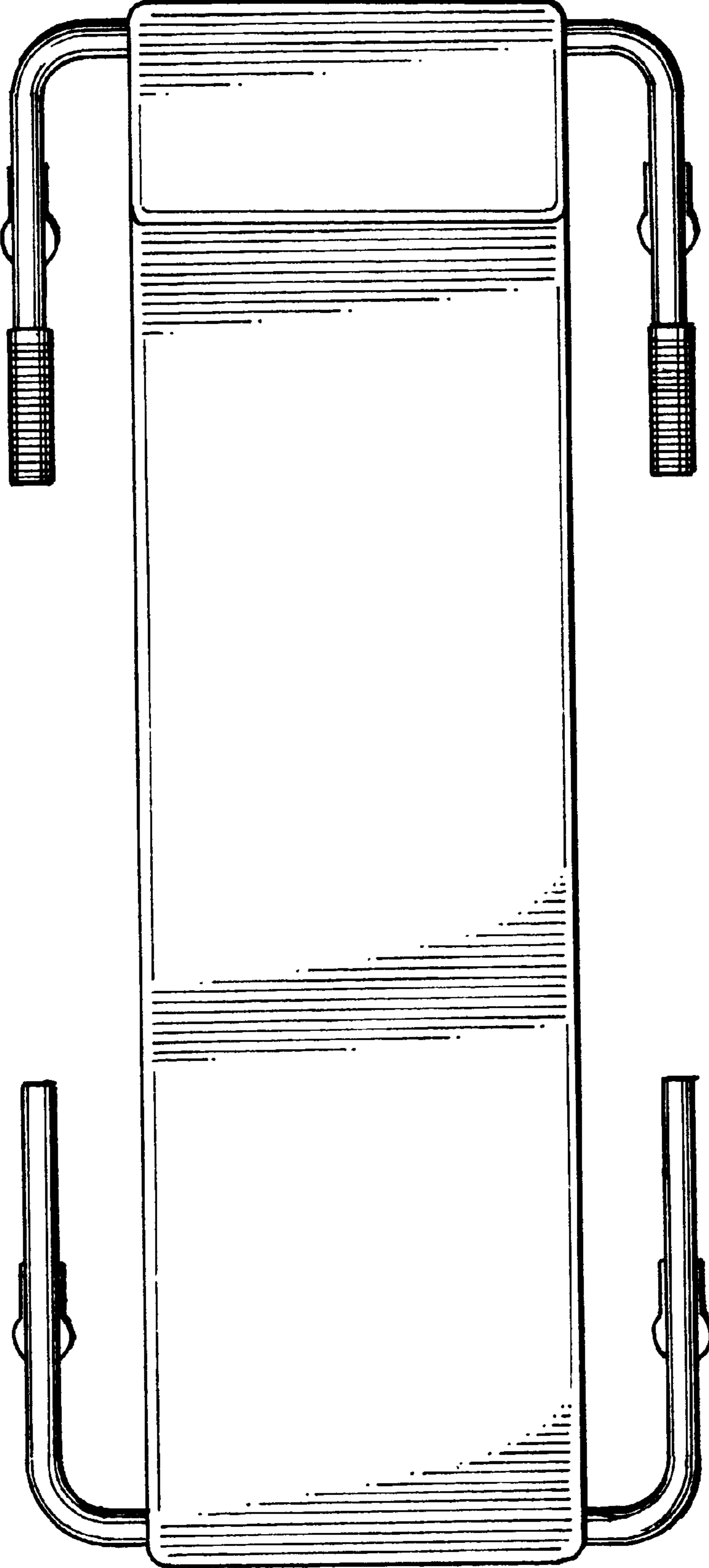


FIG. 2

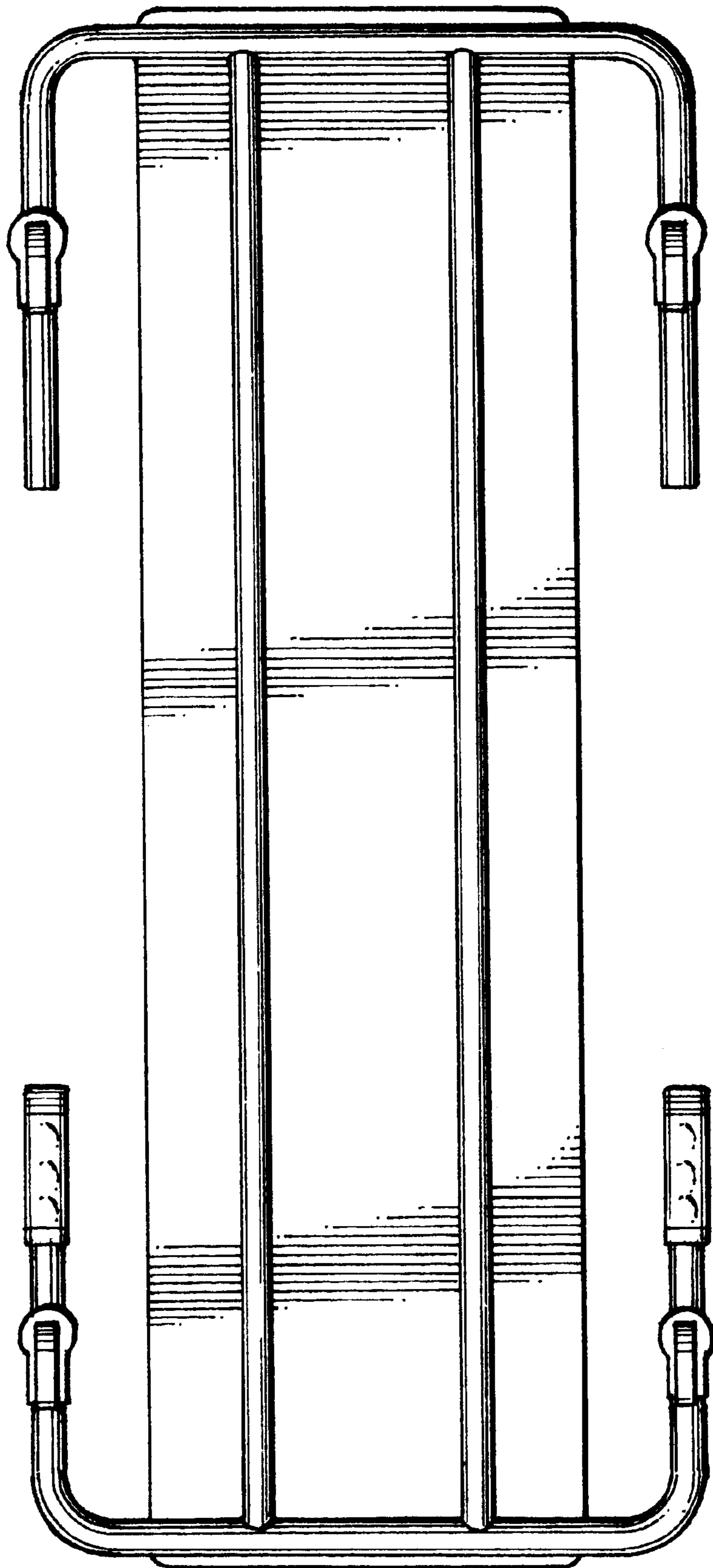


FIG. 3

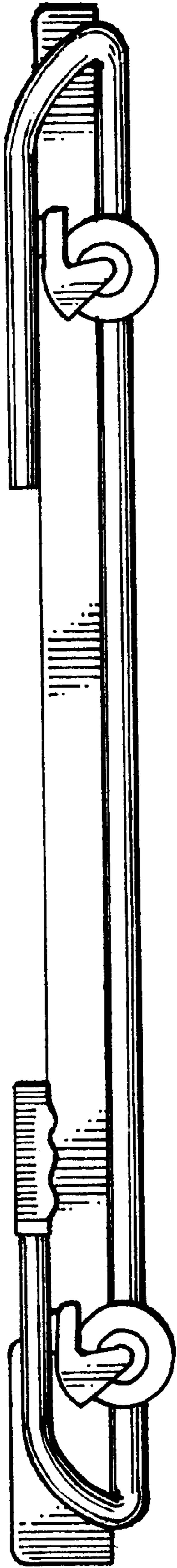


FIG. 4

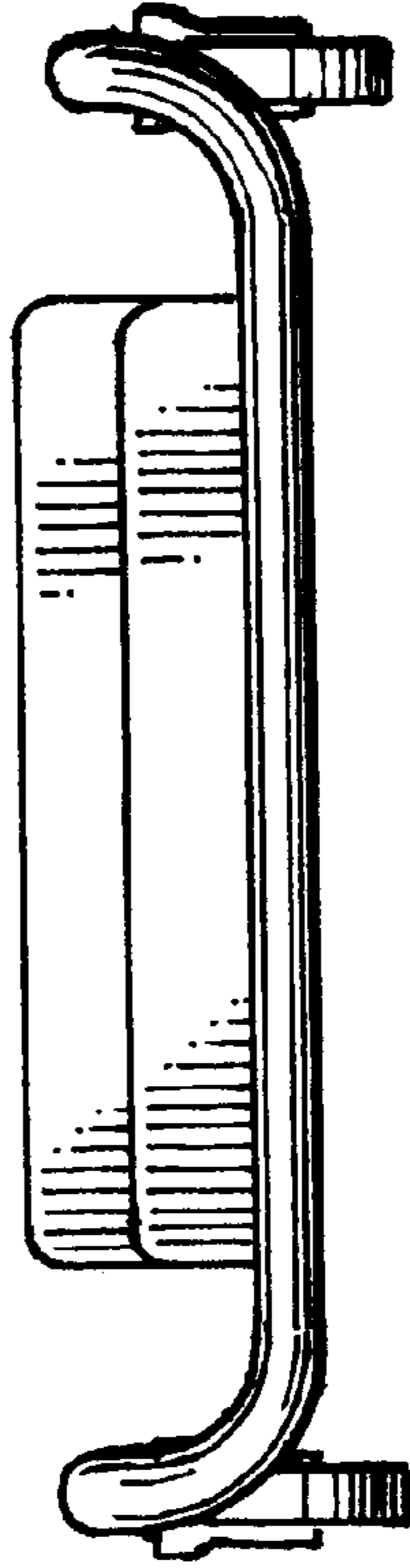


FIG. 5

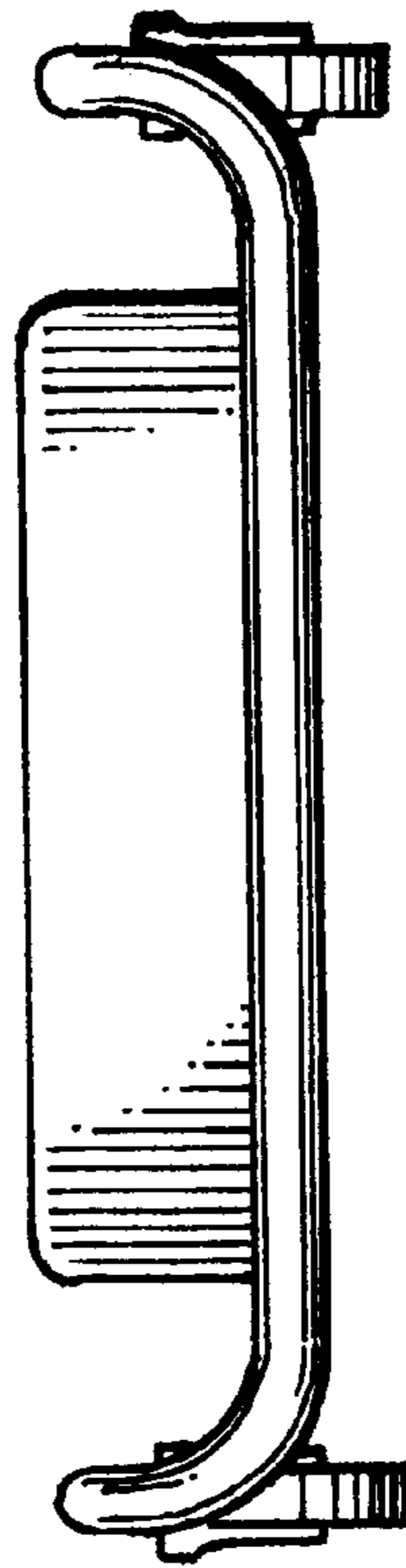


FIG. 6