



US00D522197S

(12) **United States Design Patent**
Dyson et al.

(10) **Patent No.:** **US D522,197 S**

(45) **Date of Patent:** **** May 30, 2006**

(54) **ACCESSORY FOR A CLEANING APPLIANCE**

(75) Inventors: **James Dyson**, Dodington (GB);
Samuel Emrys James, Bath (GB);
James Edward Gill, Marlborough (GB)

(73) Assignee: **Dyson Limited**, Wiltshire (GB)

(**) Term: **14 Years**

(21) Appl. No.: **29/227,239**

(22) Filed: **Apr. 8, 2005**

(30) **Foreign Application Priority Data**

Oct. 8, 2004 (GB) 3019028

(51) **LOC (8) Cl.** **15-05**

(52) **U.S. Cl.** **D32/32**

(58) **Field of Classification Search** D32/22,
D32/30-34; 15/321-322, 329, 400, 410-411,
15/414-415.1, 416-422.1, 327.1, 394, 351;
285/7; D8/300, 302-303, 310, 317; 16/110.1
See application file for complete search history.

(56) **References Cited**

U.S. PATENT DOCUMENTS

D178,747 S * 9/1956 Andersson-Sason D32/32

D311,615 S * 10/1990 Berfield et al. D32/32
D381,144 S * 7/1997 Moine et al. D32/32
D424,766 S * 5/2000 Martin D32/32
D439,711 S * 3/2001 Griffin D32/32
D468,499 S * 1/2003 Kitts D32/32
D484,287 S * 12/2003 Murphy et al. D32/32

* cited by examiner

Primary Examiner—Ruth McInroy

(74) *Attorney, Agent, or Firm*—Morrison & Foerster LLP

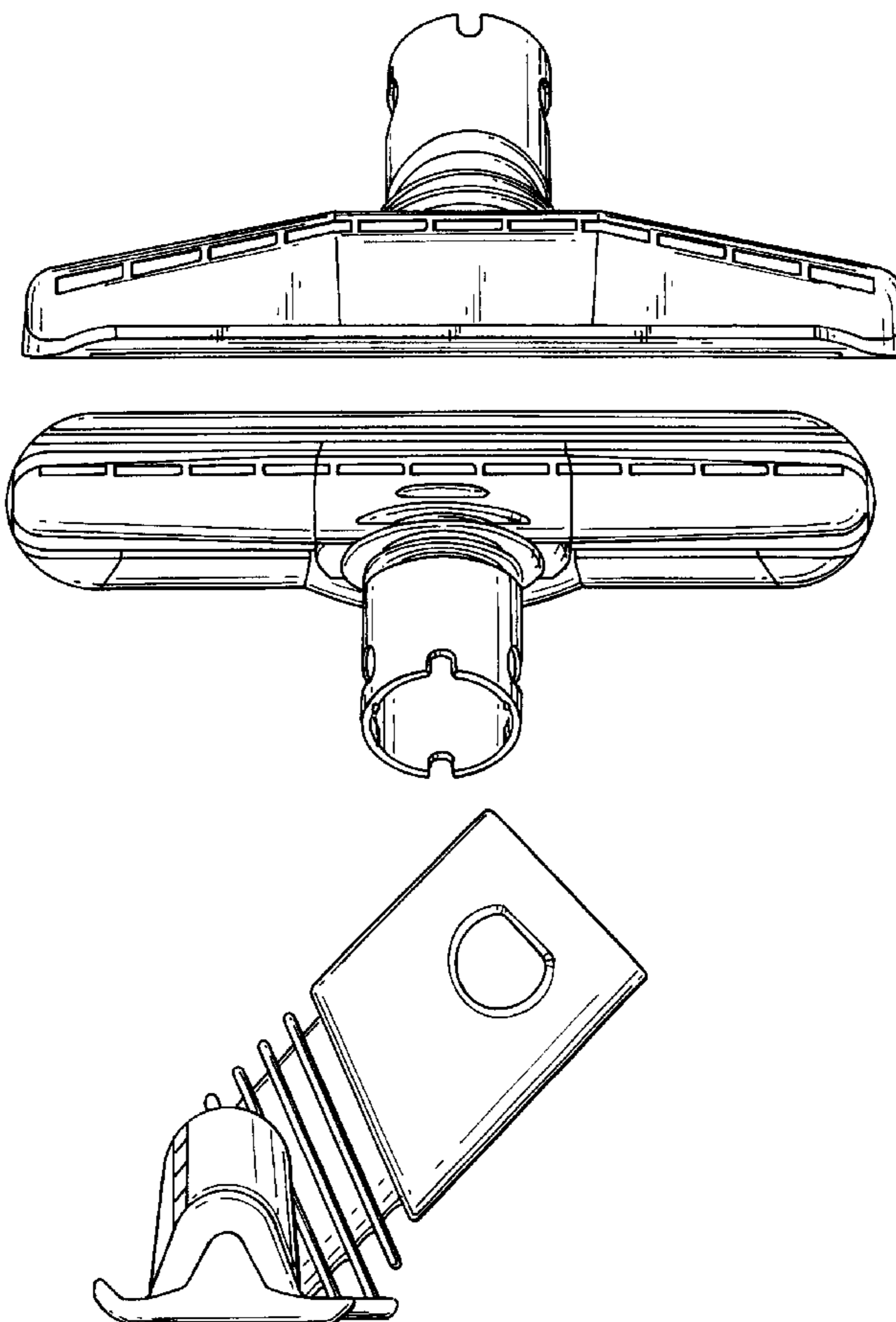
(57) **CLAIM**

We claim the ornamental design for an accessory for a cleaning appliance, as shown and described.

DESCRIPTION

FIG. 1 is a front view of an accessory for a cleaning appliance showing our new design;
FIG. 2 is a rear view thereof;
FIG. 3 is a top view thereof;
FIG. 4 is a bottom view thereof;
FIG. 5 is a side view thereof; and,
FIG. 6 is a side view opposite FIG. 5.

1 Claim, 6 Drawing Sheets



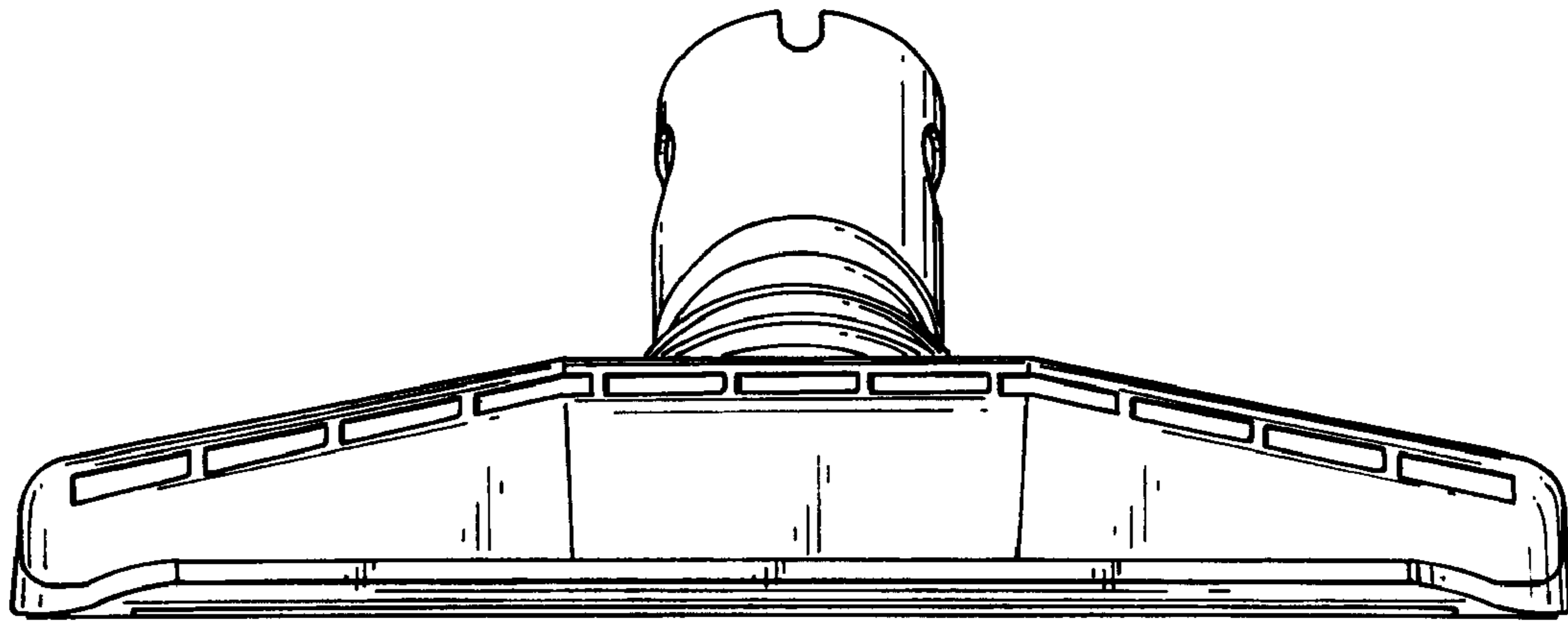


Fig. 1

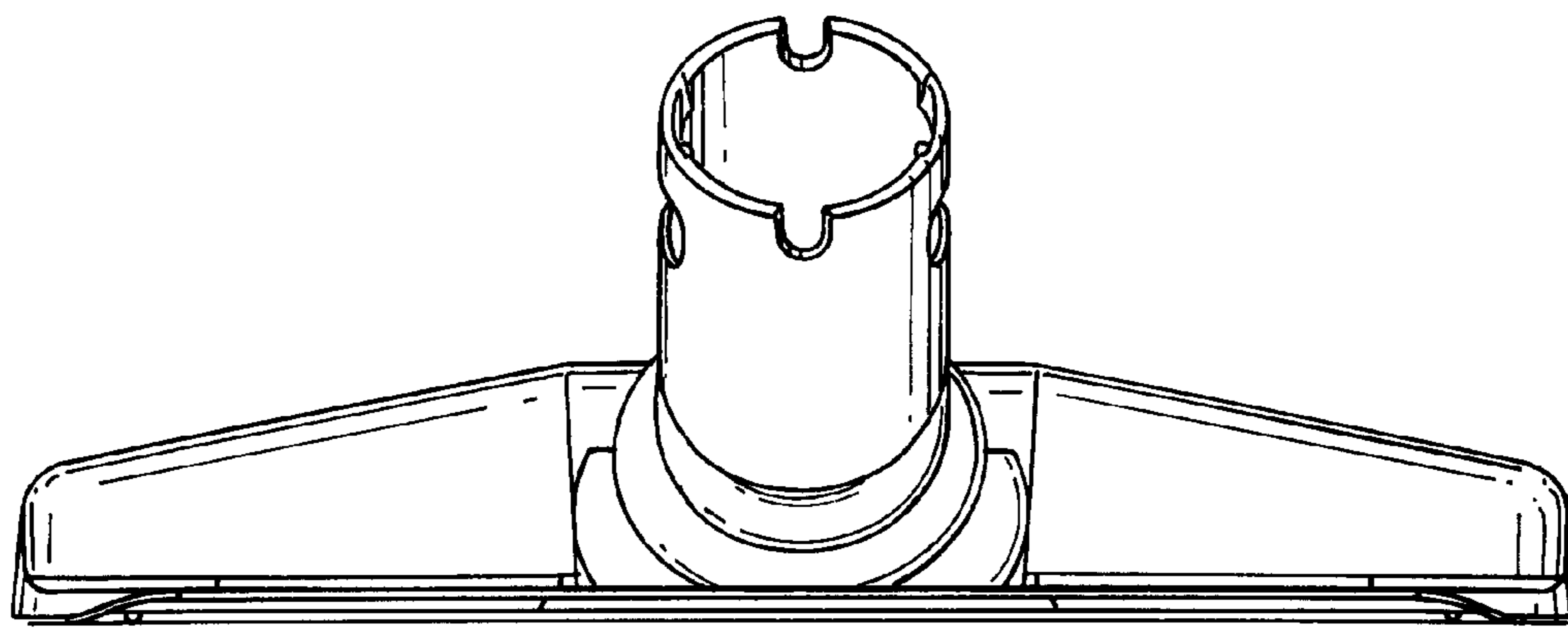


Fig. 2

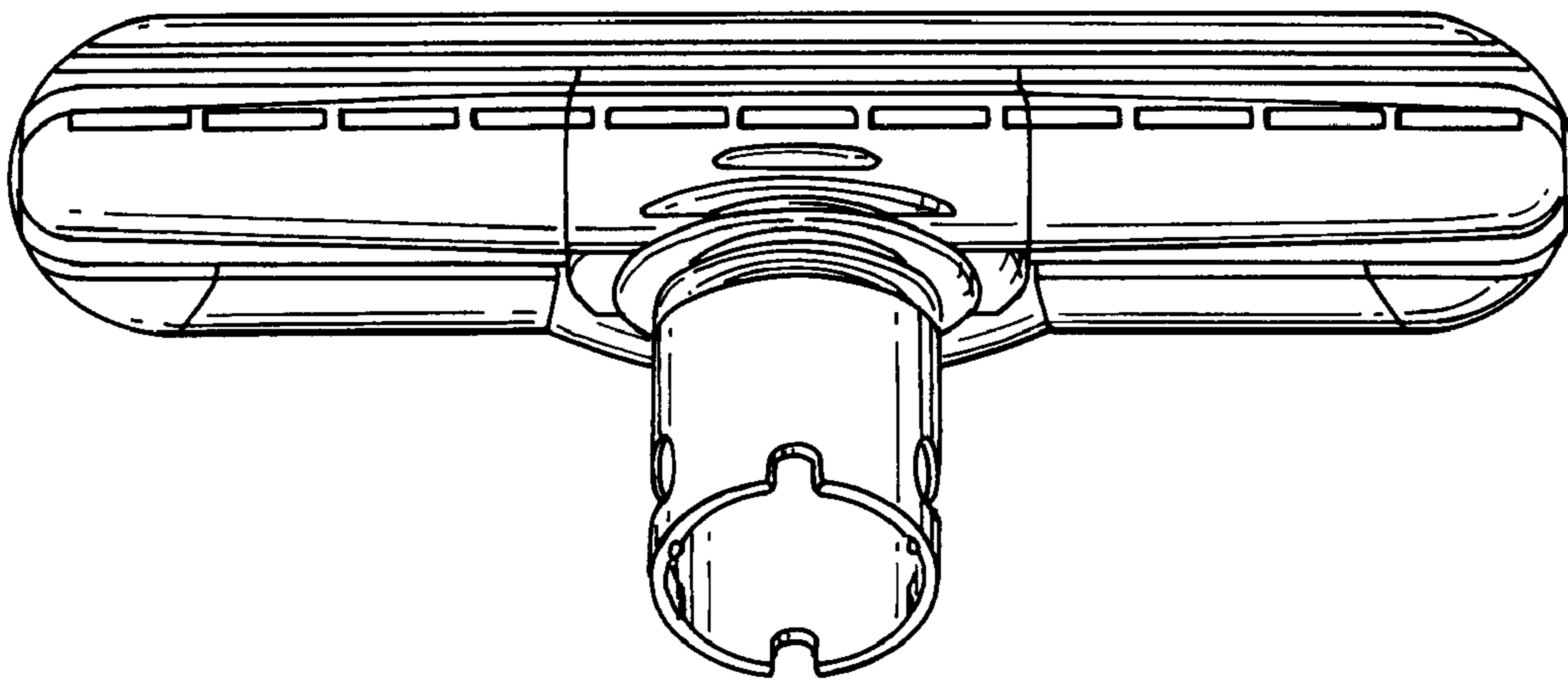


Fig. 3

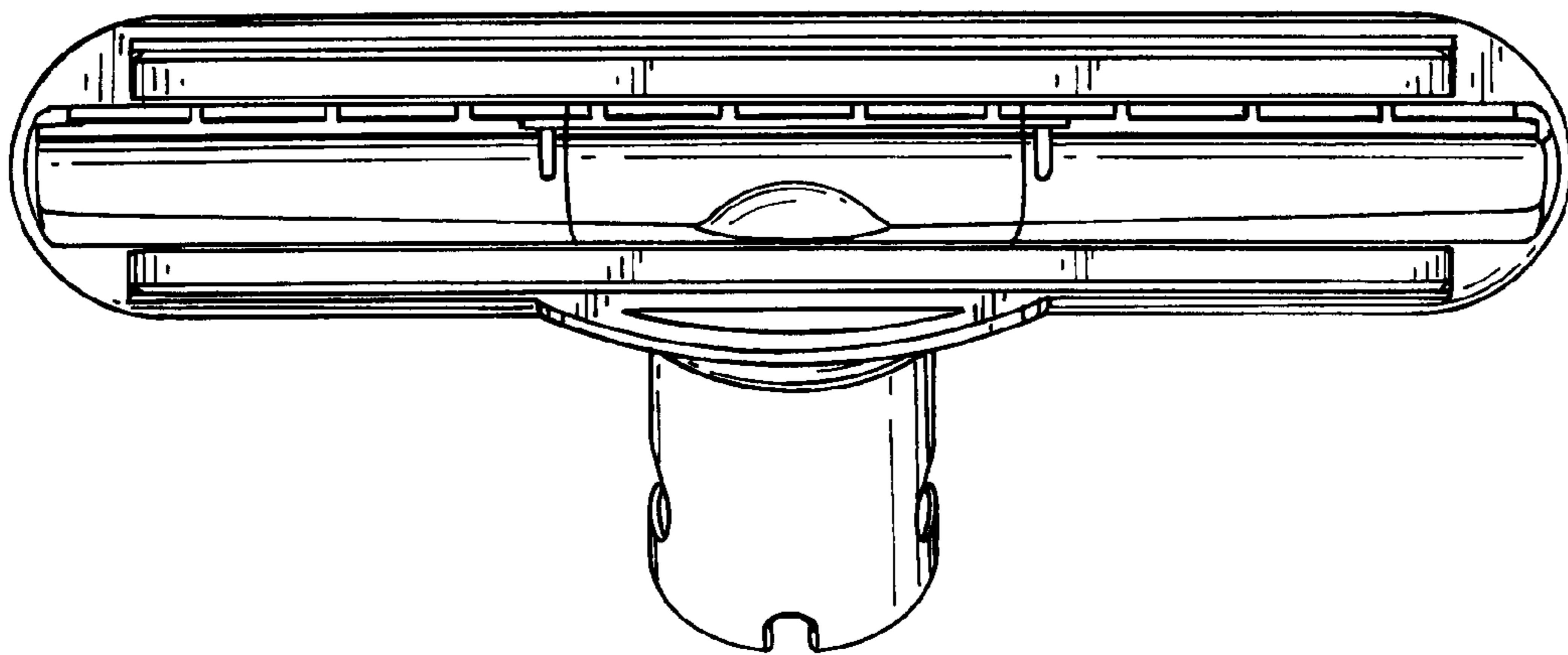


Fig. 4

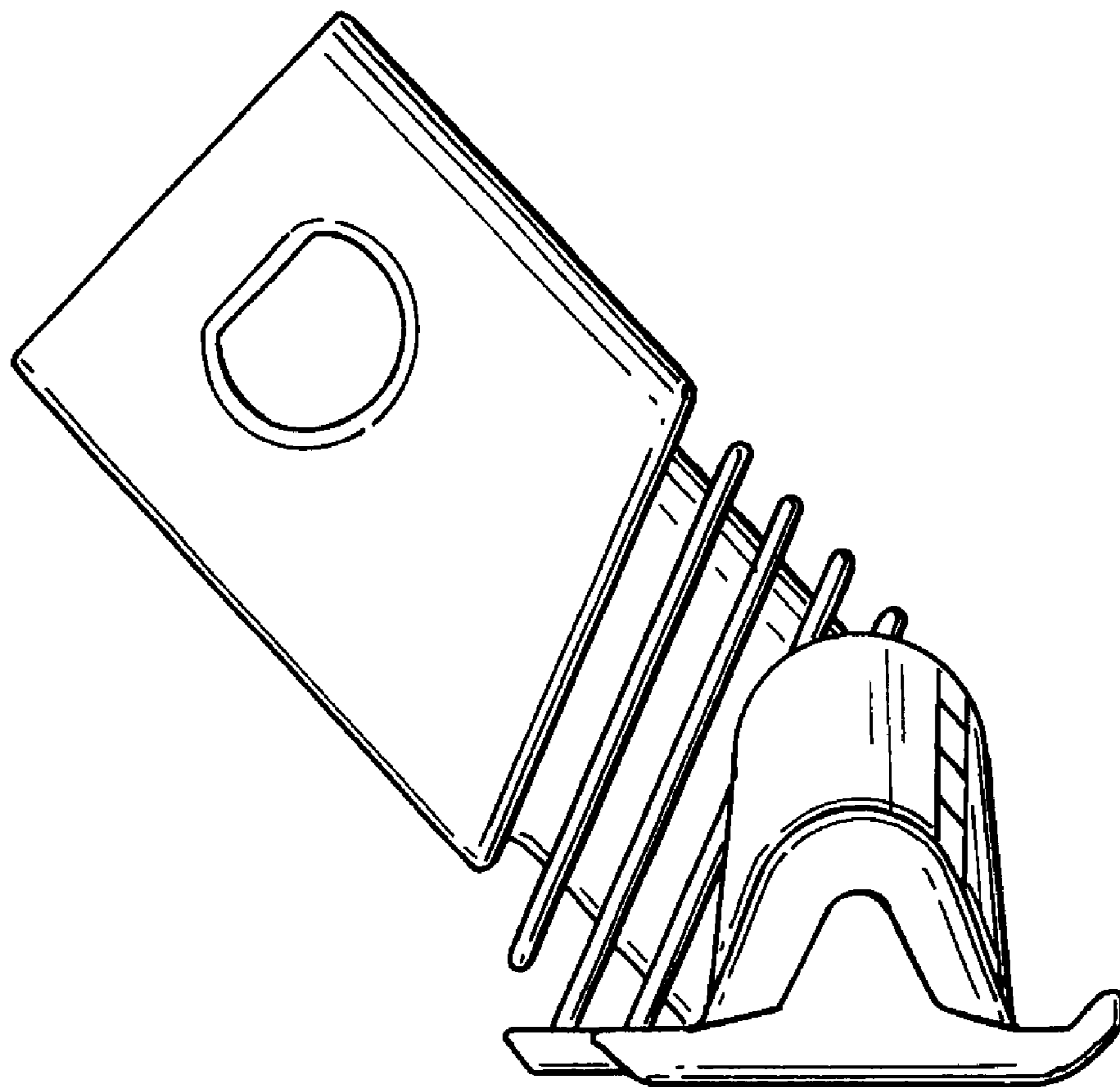


Fig. 5

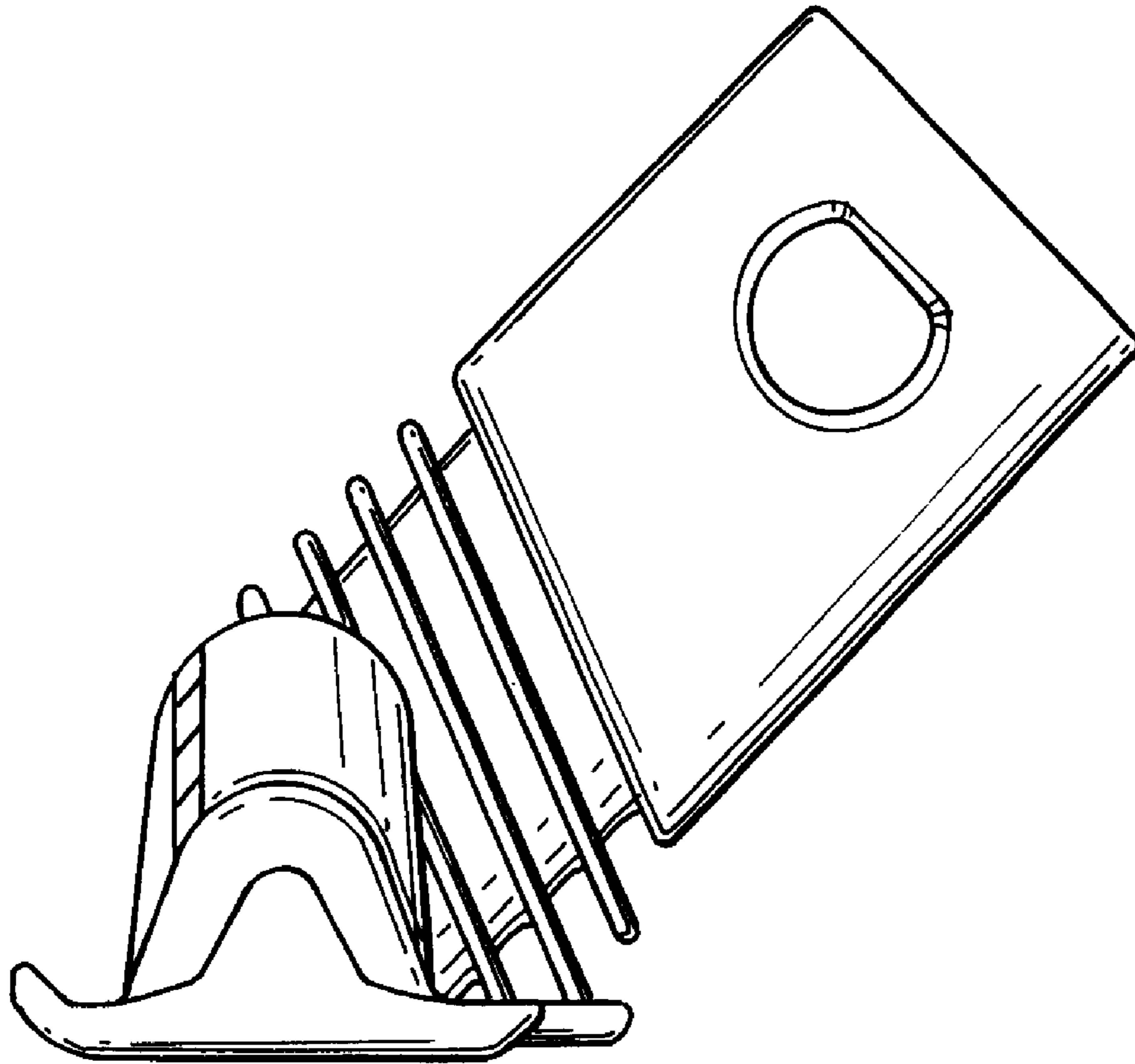


Fig. 6