

US00D522195S

(12) **United States Design Patent**
Chen

(10) **Patent No.:** **US D522,195 S**

(45) **Date of Patent:** **** May 30, 2006**

(54) **CLEANING MACHINE**

(76) Inventor: **Chung-Ming Chen**, 2Fl., No. 13, Lane
218, Chuan-Hsien St., Taipei (TW), 112

(**) Term: **14 Years**

(21) Appl. No.: **29/208,712**

(22) Filed: **Jul. 6, 2004**

(51) **LOC (8) Cl.** **15-05**

(52) **U.S. Cl.** **D32/32**

(58) **Field of Classification Search** D32/15,
D32/21, 18, 31, 17, 22, 24, 25, 33, 32, 34;
15/347, 352, 320, 327.1-327.7, 321, 400,
15/410, 412, 414, 415.1-421.1, 329, 361,
15/323, 324, 325, 326, 350, 351, 353, 377,
15/354, 355, 358, 378

See application file for complete search history.

(56) **References Cited**

U.S. PATENT DOCUMENTS

D371,875 S	*	7/1996	Parker et al.	D32/38
D411,669 S	*	6/1999	Wareham	D32/32
D412,227 S	*	7/1999	Wareham et al.	D32/32
D412,380 S	*	7/1999	Wareham	D32/32
D425,272 S	*	5/2000	Wareham	D32/31
D425,273 S	*	5/2000	Stephens et al.	D32/32
D457,278 S	*	5/2002	Alford et al.	D32/32

D487,324 S	*	3/2004	Santiago et al.	D32/32
D499,518 S	*	12/2004	Downey et al.	D32/32
D499,850 S	*	12/2004	Leyden	D32/32

* cited by examiner

Primary Examiner—Louis S. Zarfes

Assistant Examiner—Kathleen Sims

(74) *Attorney, Agent, or Firm*—Birch, Stewart, Kolasch &
Birch, LLP

(57) **CLAIM**

The ornamental design for a cleaning machine, as shown and described.

DESCRIPTION

FIG. 1 is a front view of a cleaning machine, showing my new design;

FIG. 2 is a rear view thereof;

FIG. 3 is a left side view thereof;

FIG. 4 is a right side view thereof;

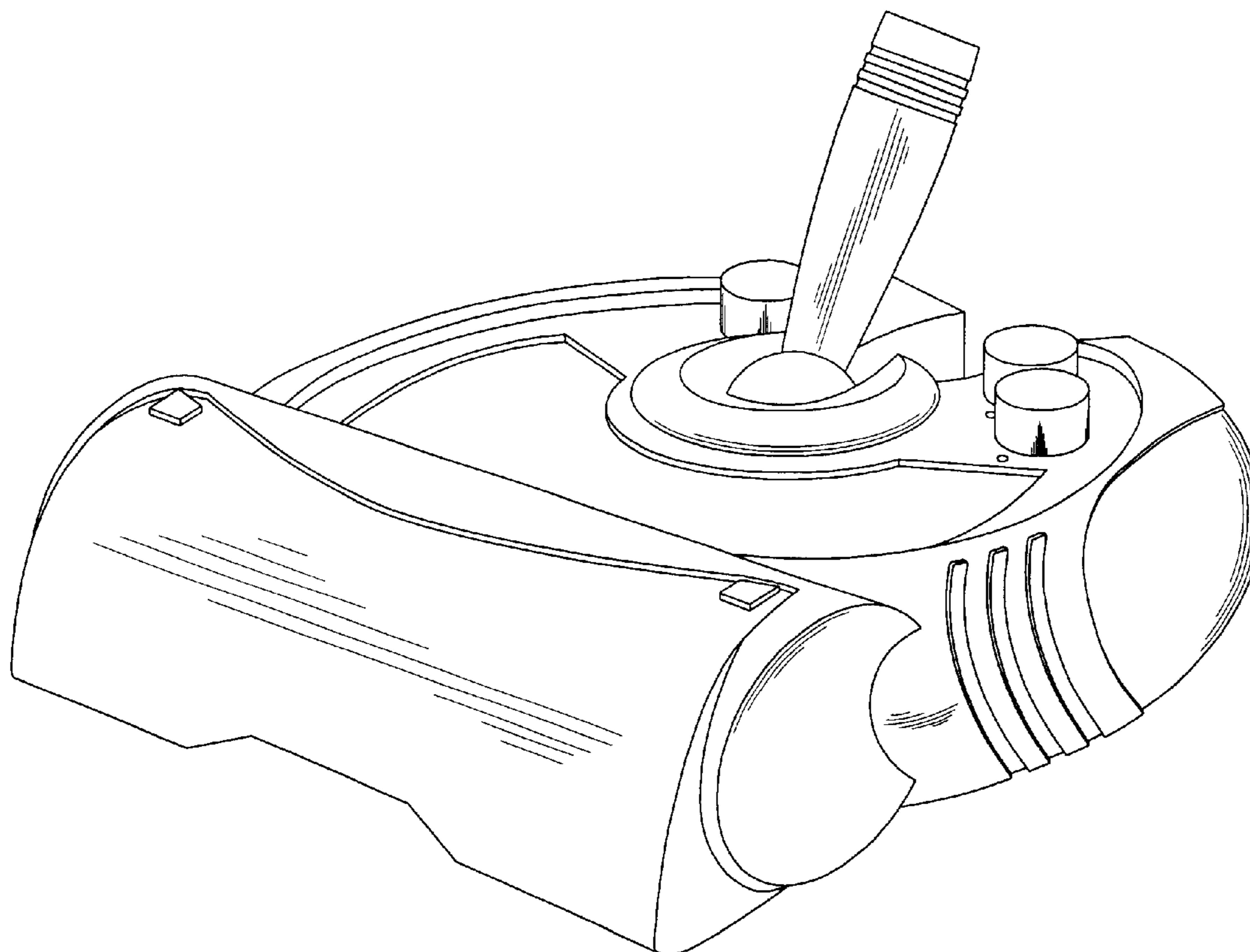
FIG. 5 is a top view thereof;

FIG. 6 is bottom view thereof;

FIG. 7 is a perspective view thereof; and,

FIG. 8 shows the use of the cleaning machine of my new design. The broken line showing of the use of the cleaning machine is for illustrative purposes only and forms no part of the claimed design.

1 Claim, 5 Drawing Sheets



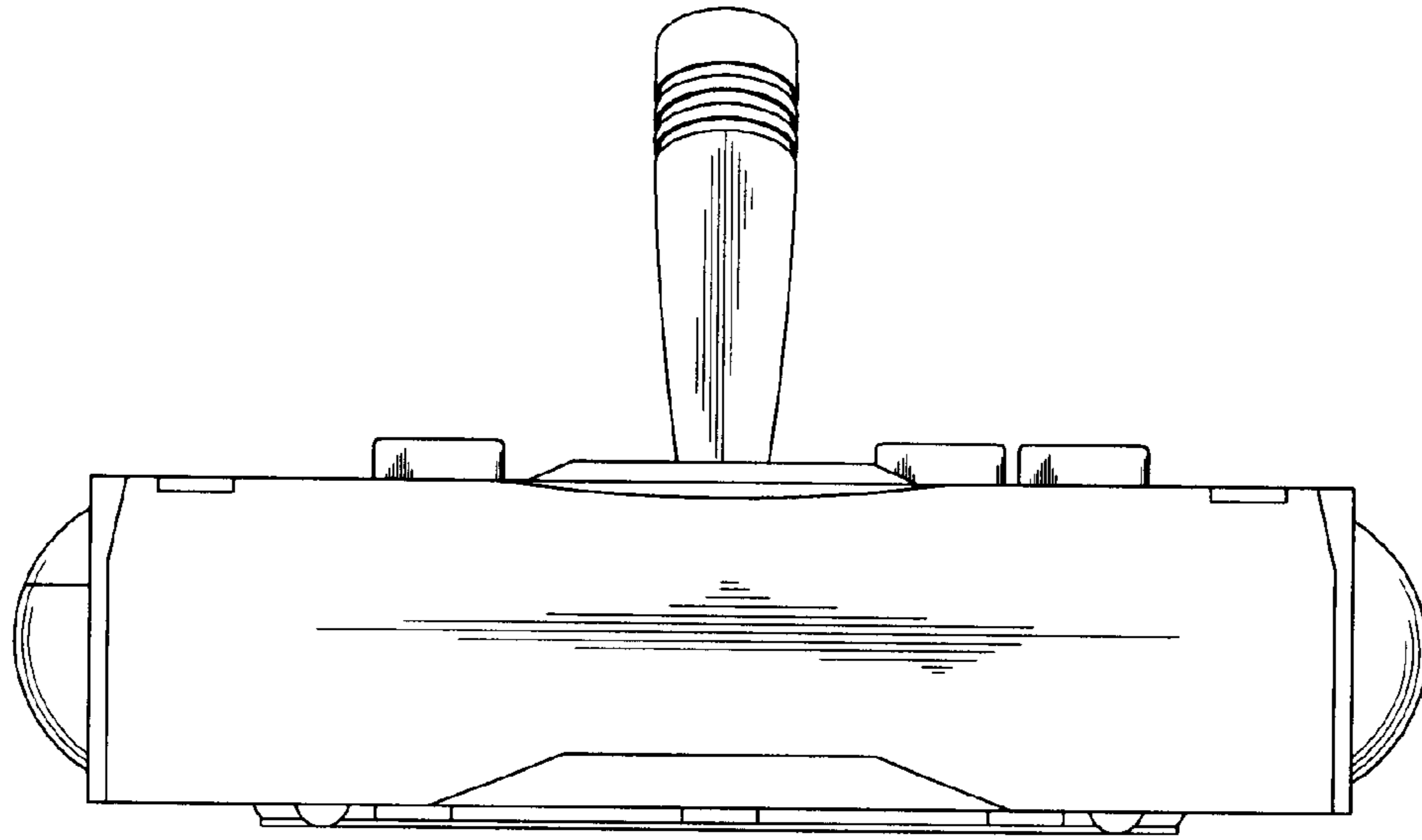


FIG.1

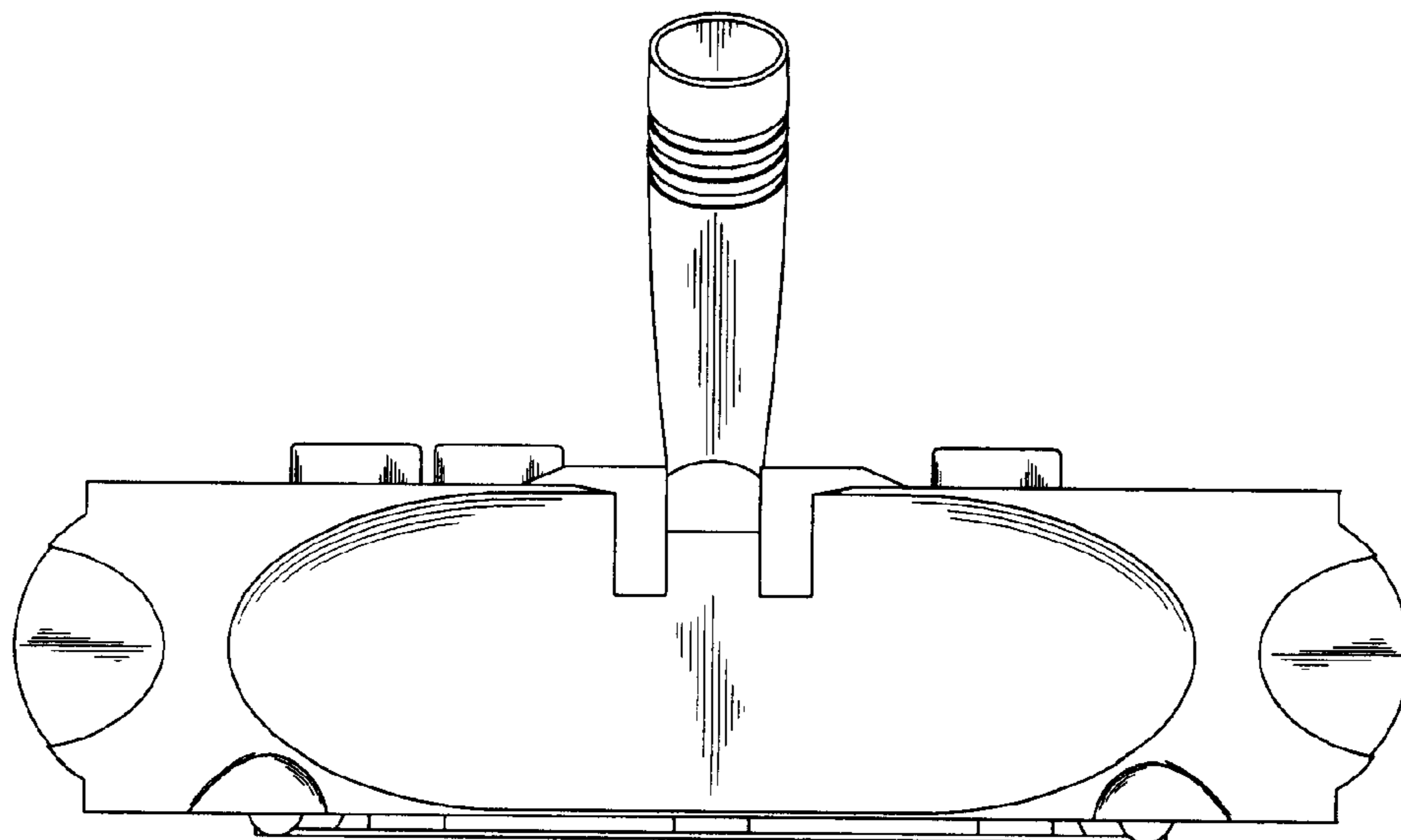


FIG.2

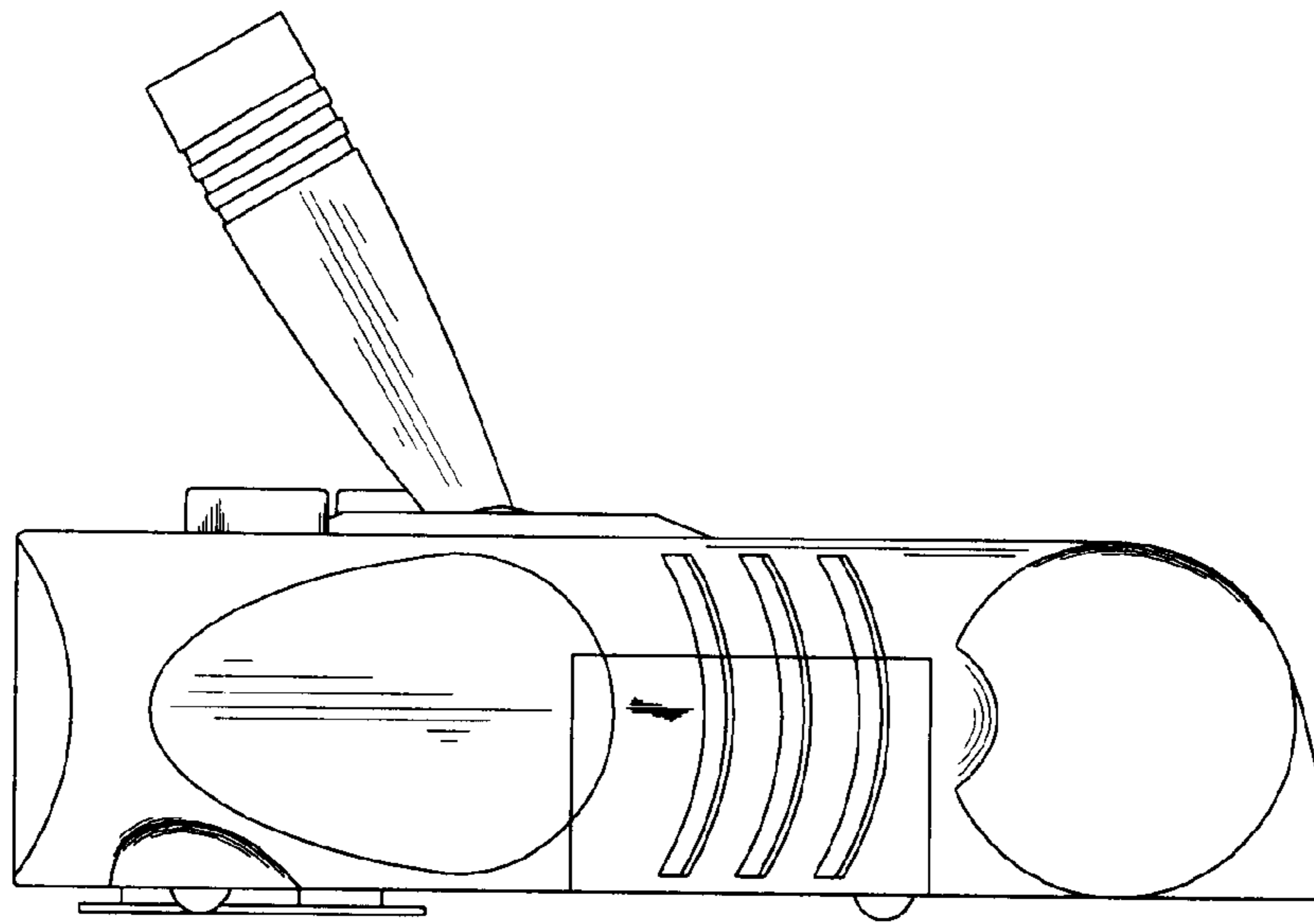


FIG. 3

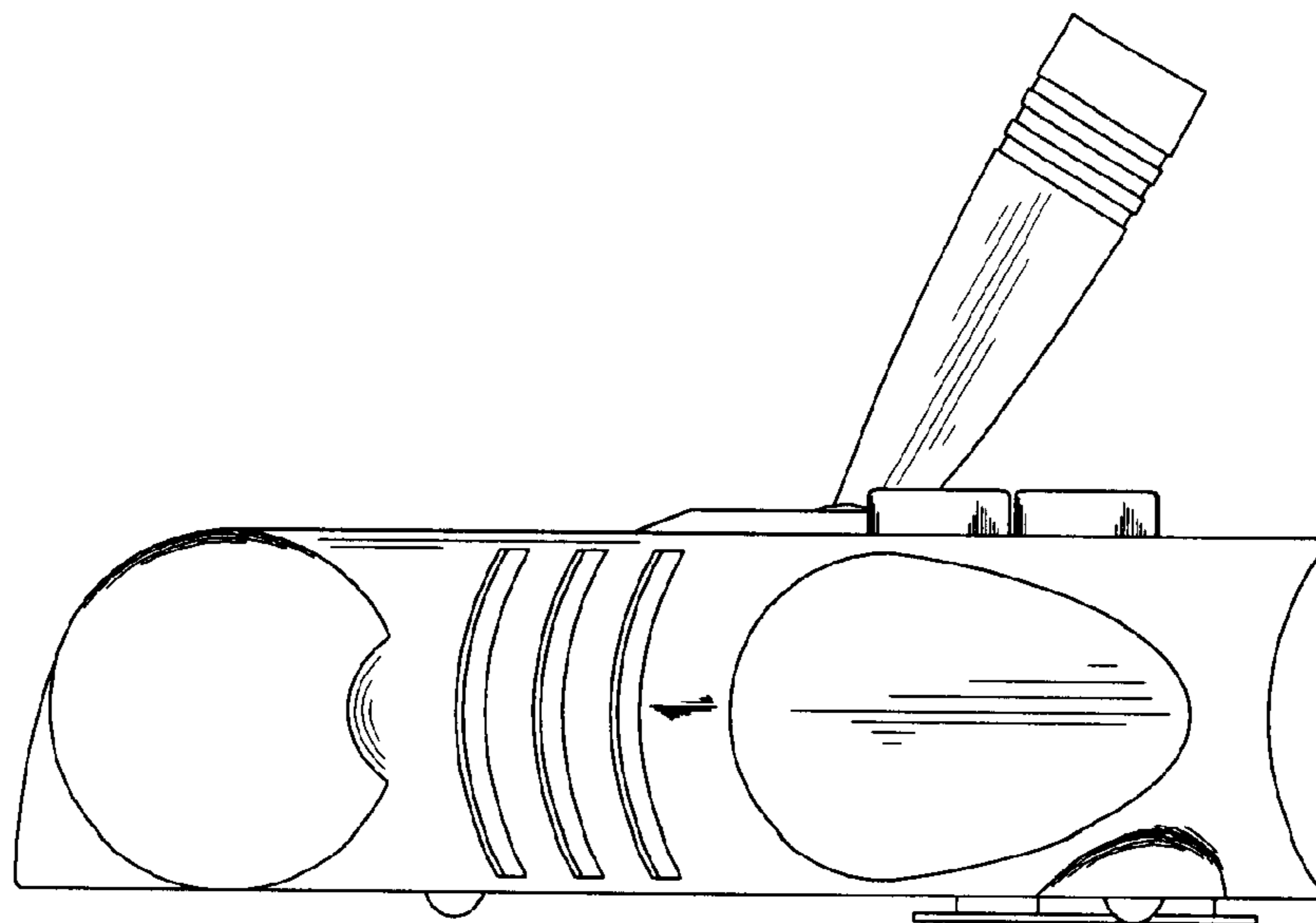


FIG. 4

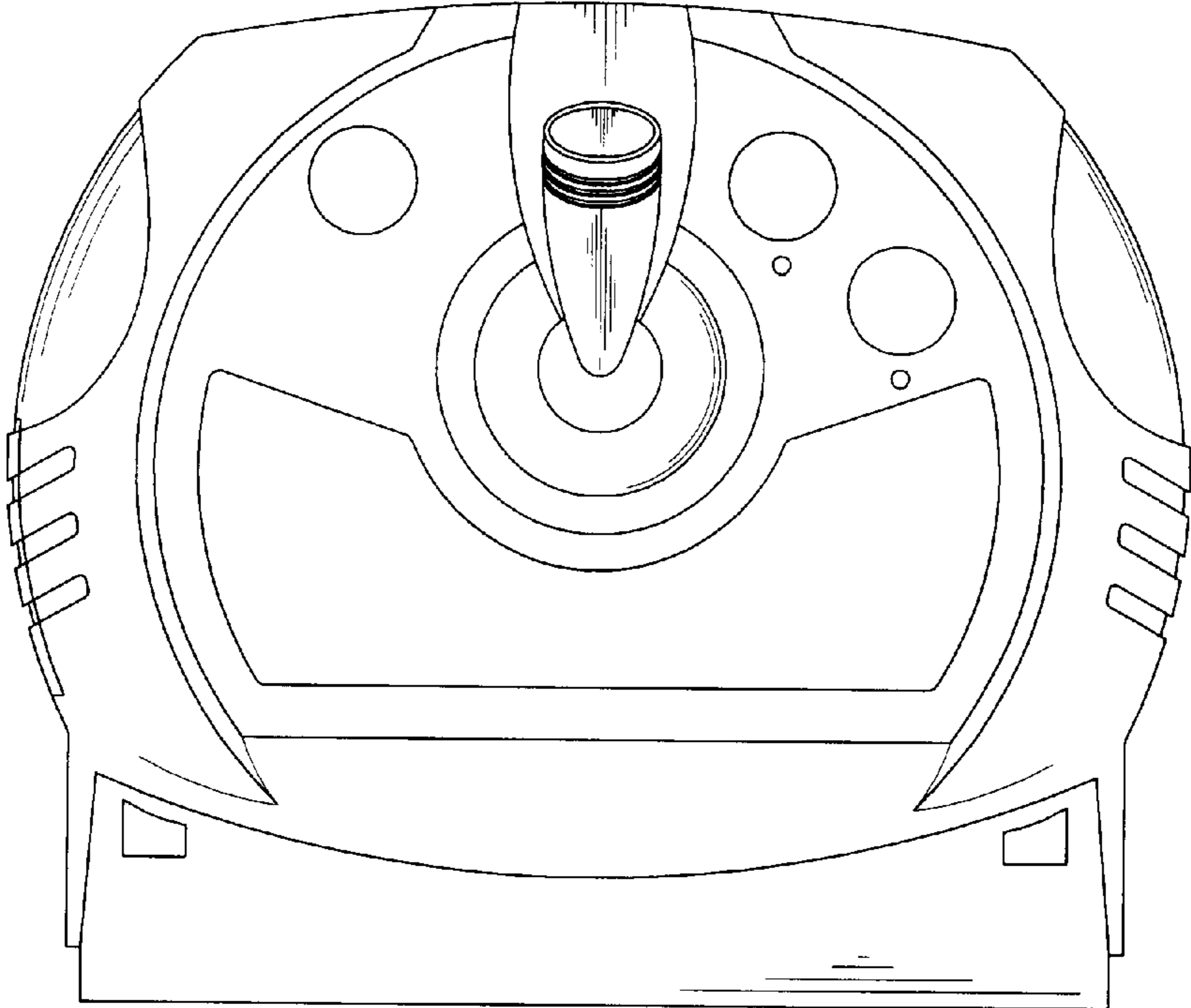


FIG.5

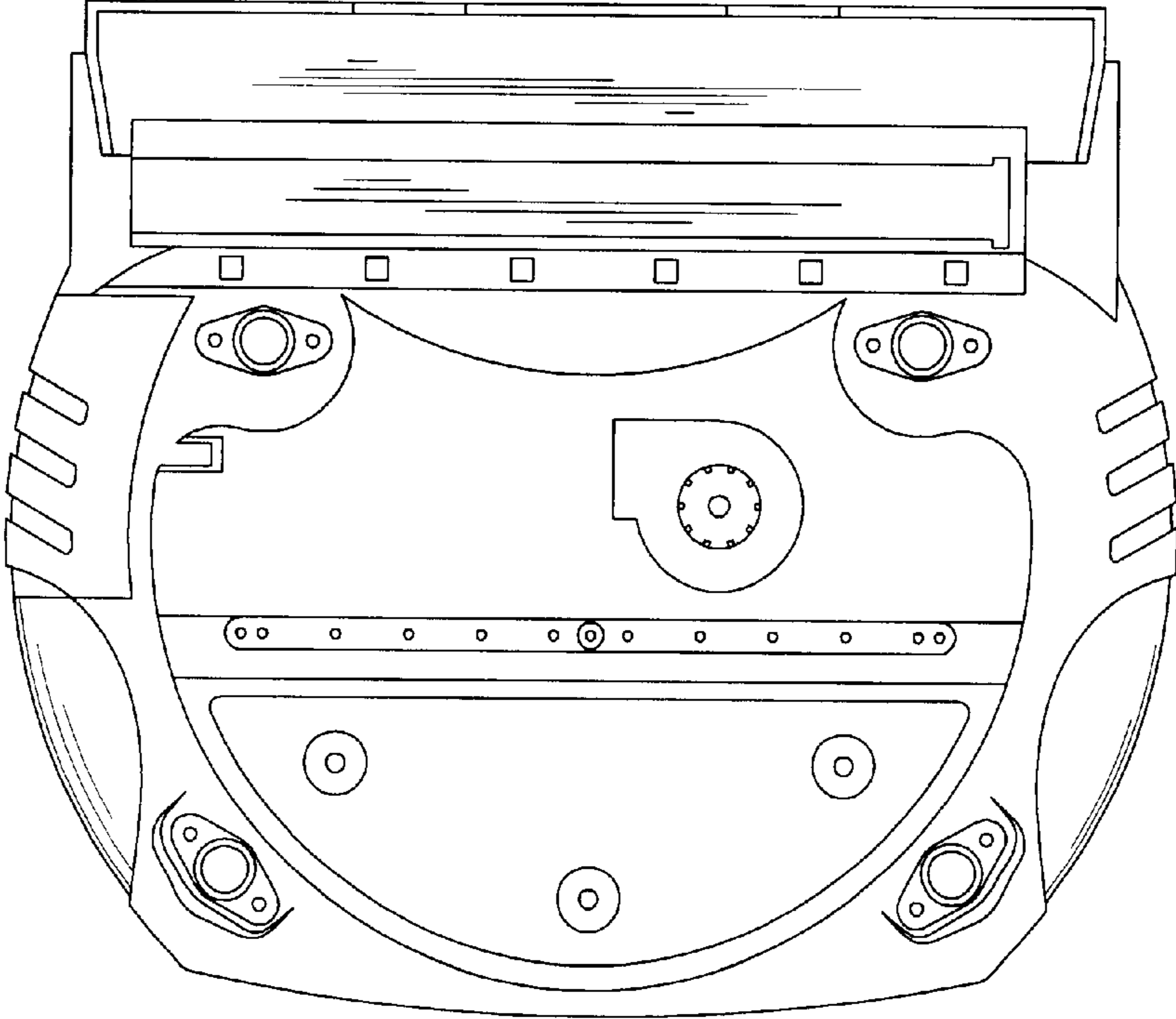


FIG.6

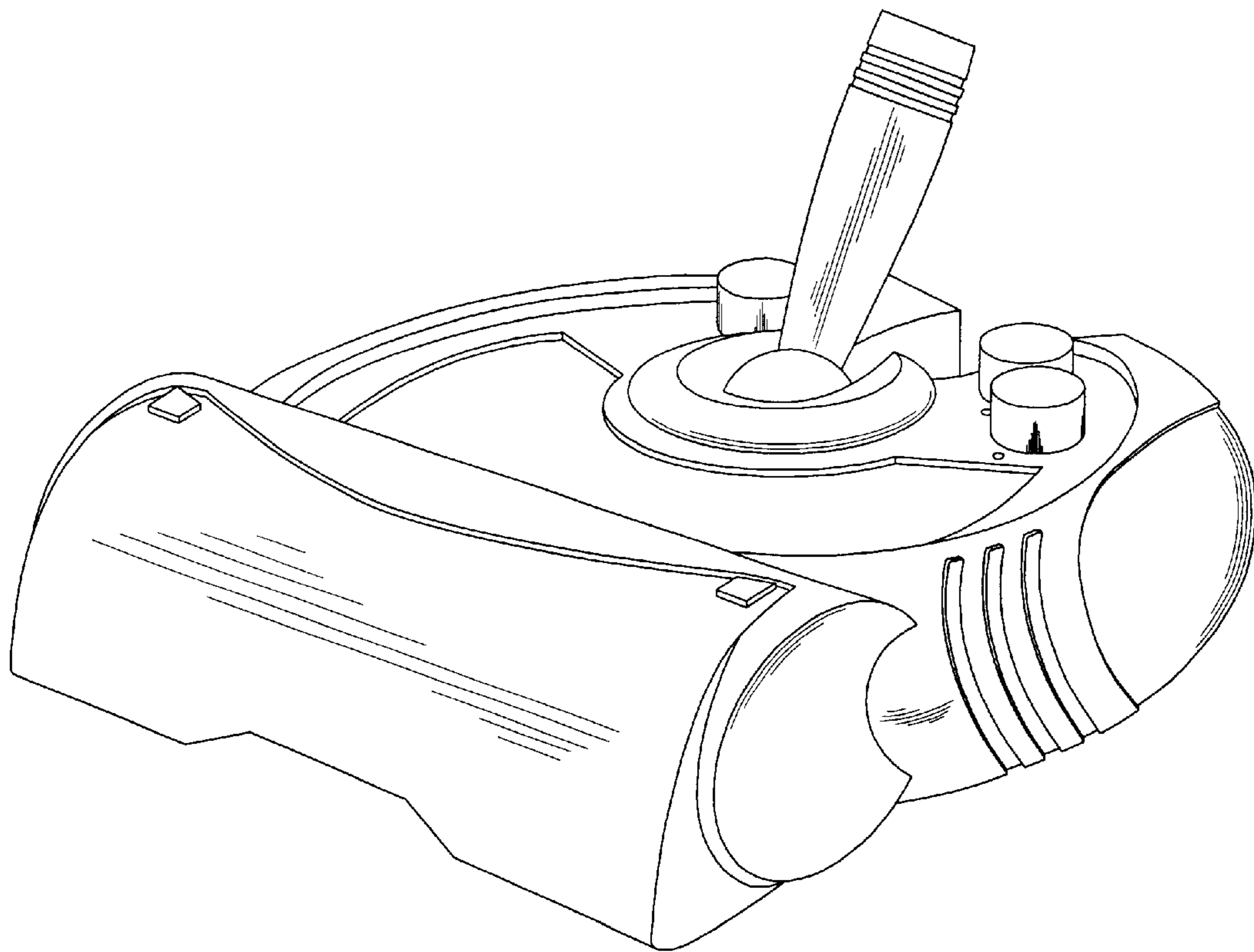


FIG.7

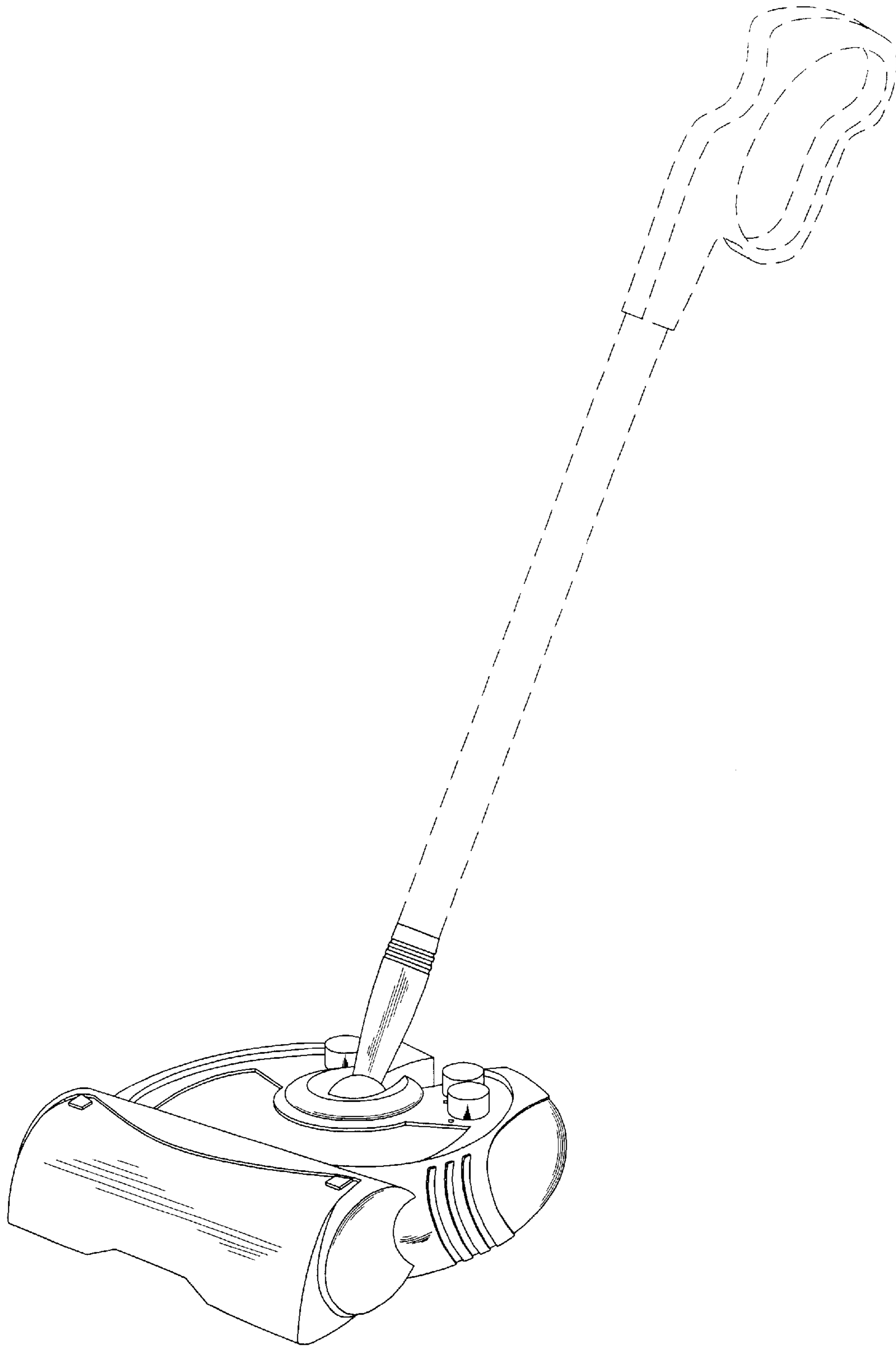


FIG.8